



US00D482482S

(12) **United States Design Patent**
Schreder

(10) **Patent No.:** **US D482,482 S**

(45) **Date of Patent:** **** Nov. 18, 2003**

(54) **EXTERIOR LAMP FIXTURE**

(75) **Inventor:** **Francis Schreder, Linkebeek (BE)**

(73) **Assignee:** **Financiere des Applications de l'electricite S.A., Brussels (BE)**

(**) **Term:** **14 Years**

(21) **Appl. No.:** **29/169,003**

(22) **Filed:** **Oct. 11, 2002**

(30) **Foreign Application Priority Data**

Apr. 12, 2002 (WO) DM/060 966

(51) **LOC (7) Cl. 26-05**

(52) **U.S. Cl. D26/71**

(58) **Field of Search D26/67-71, 88, D26/89; 362/153, 153.1, 159, 209, 266, 267, 269, 273, 363, 431, 432, 805**

(56) **References Cited**

U.S. PATENT DOCUMENTS

D210,907 S * 4/1968 Villa D26/68

3,798,438 A * 3/1974 Menichetti 362/282
5,171,088 A * 12/1992 Tellier et al. 362/428
D347,485 S * 5/1994 Kira D26/67

* cited by examiner

Primary Examiner—Clare E. Heflin

(74) *Attorney, Agent, or Firm*—Kirschstein, et al.

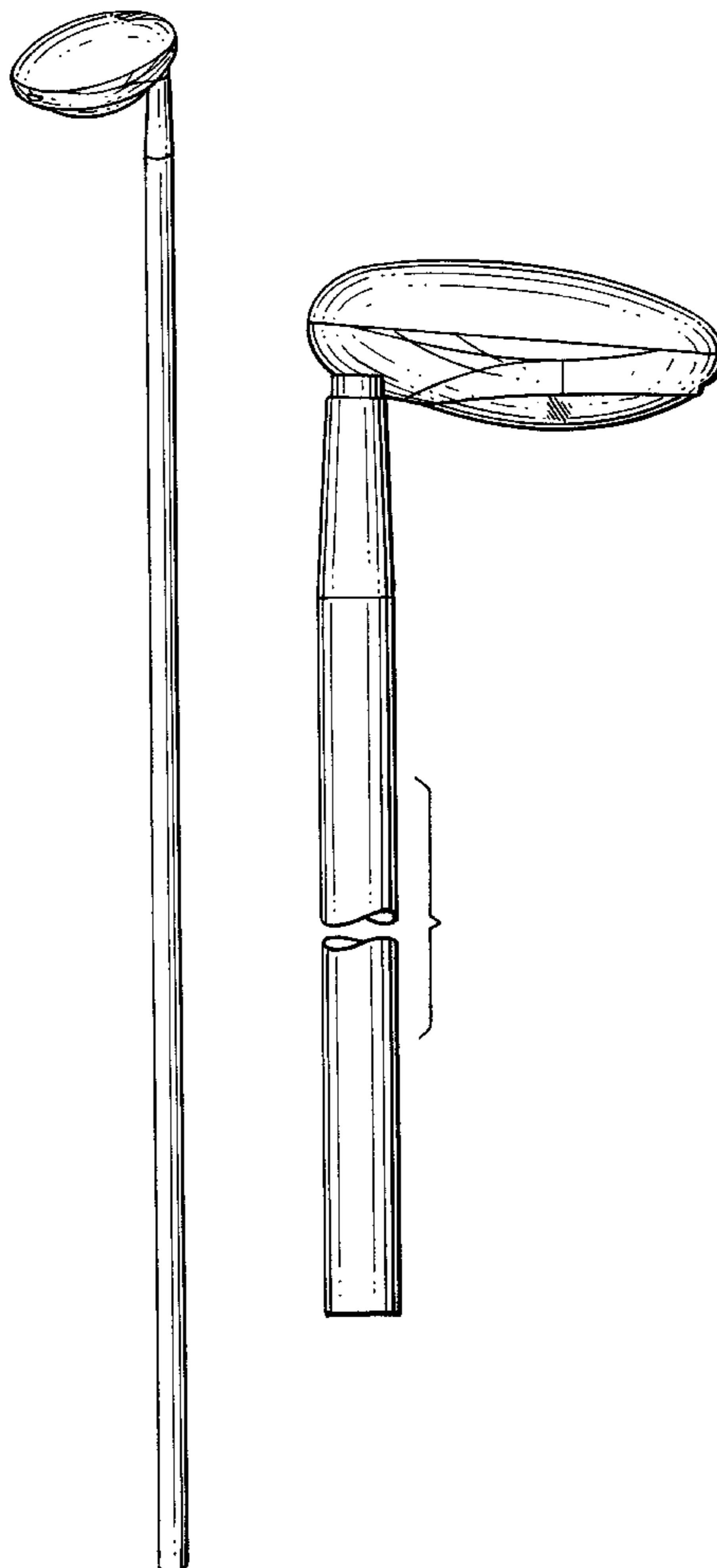
(57) **CLAIM**

The ornamental design for an exterior lamp fixture, as shown.

DESCRIPTION

FIG. 1 is a perspective view of an exterior lamp fixture according to the design of my invention;
FIG. 2 is a top plan view thereof;
FIG. 3 is a left side elevational view thereof;
FIG. 4 is a front elevational view thereof;
FIG. 5 is a right side elevational view thereof;
FIG. 6 is a rear elevational view thereof; and,
FIG. 7 is a bottom plan view thereof.
Portions of the design are shown broken-away in FIGS. 3-6 for ease for illustration only.

1 Claim, 2 Drawing Sheets



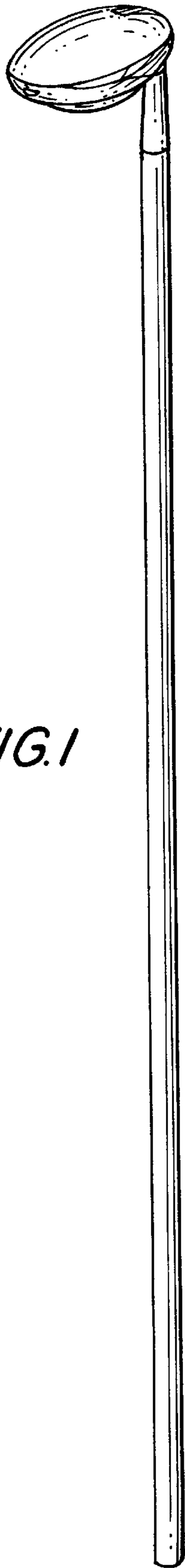


FIG. 1

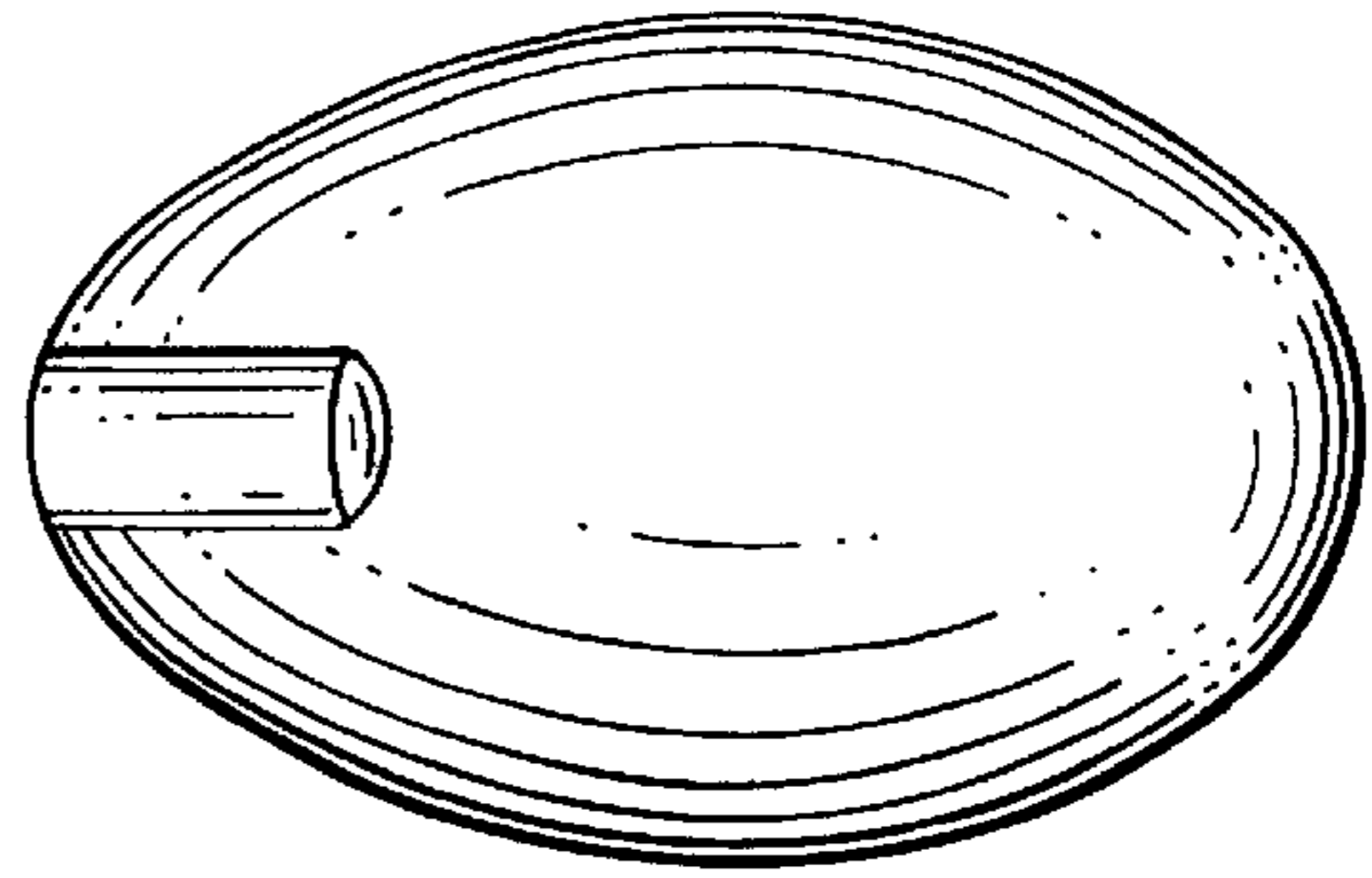


FIG. 2

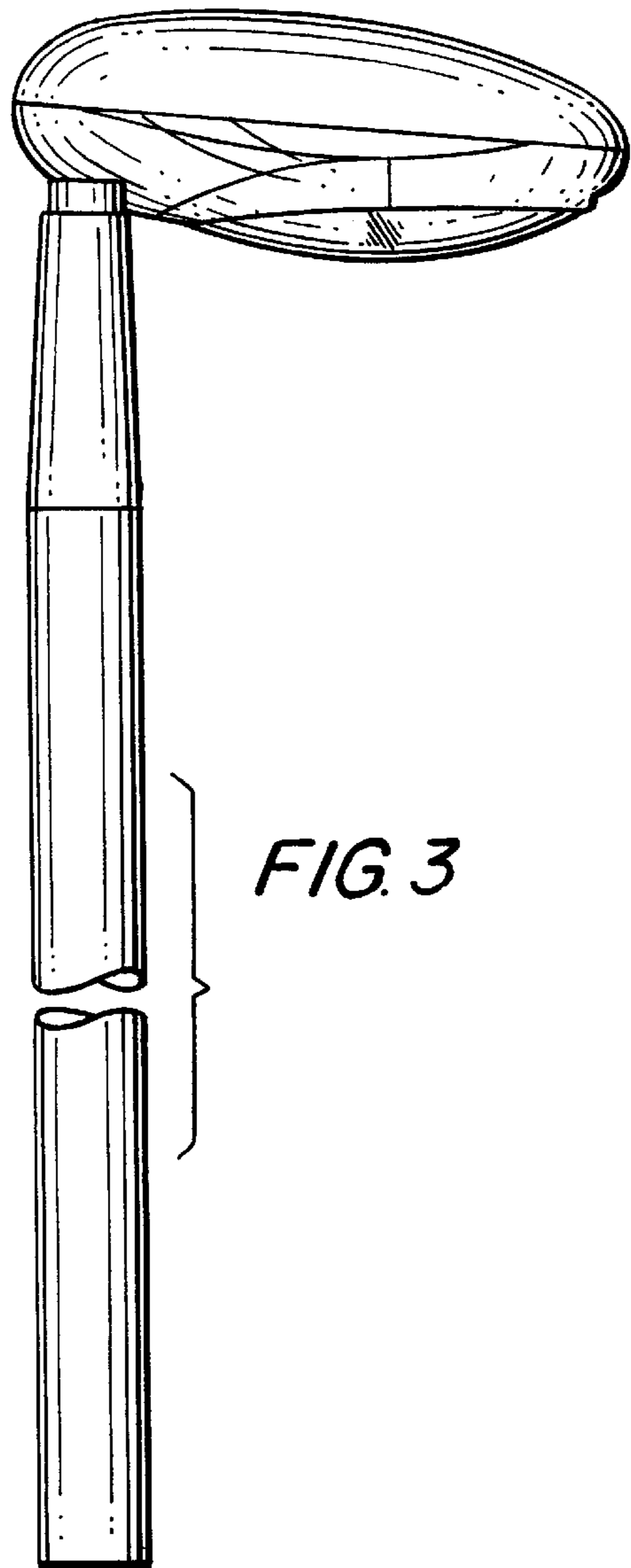


FIG. 3

FIG. 4

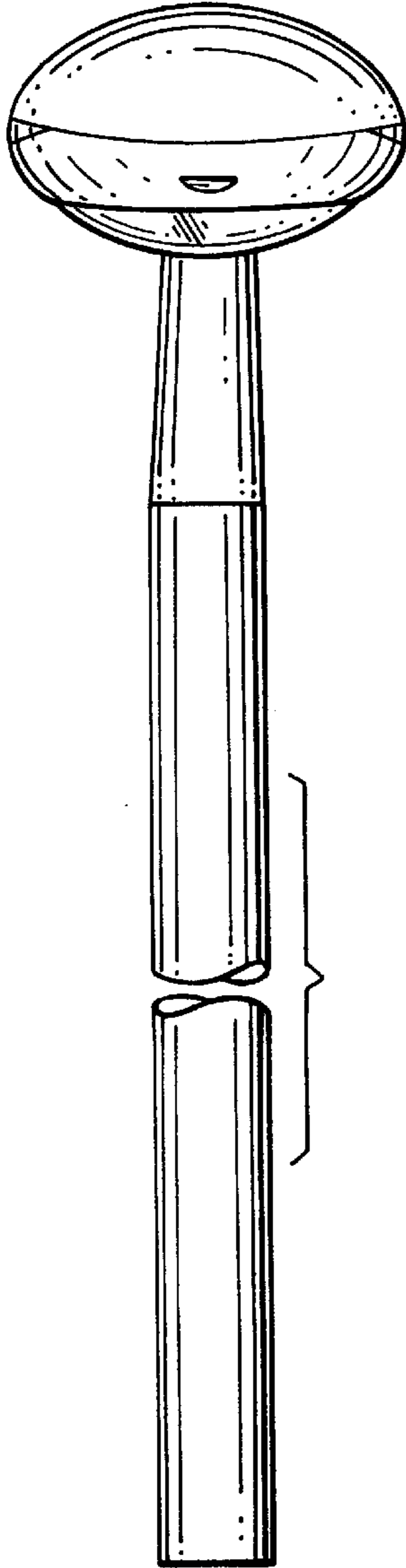


FIG. 6

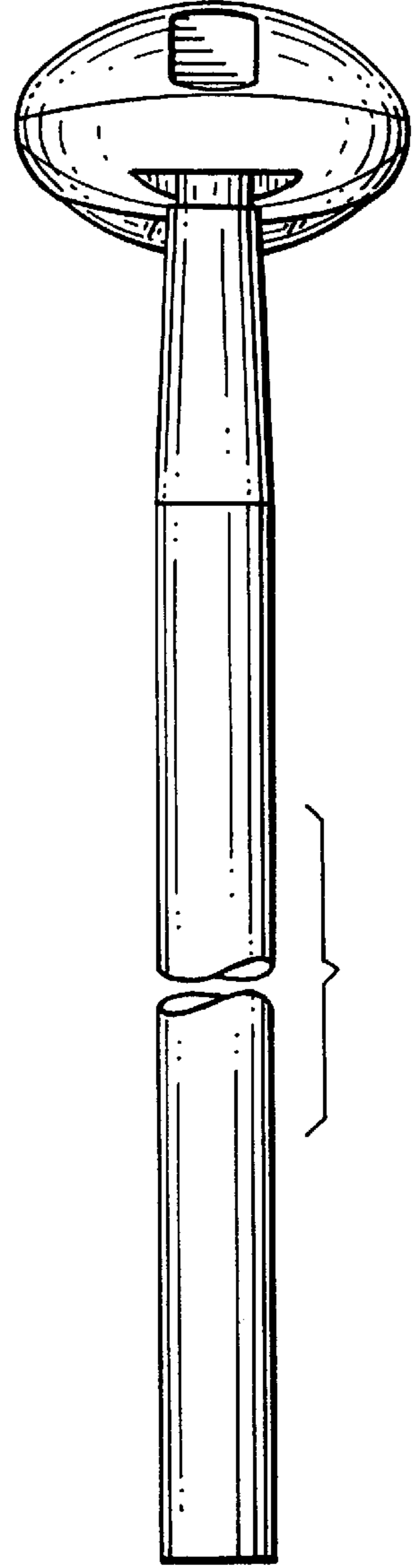


FIG. 5

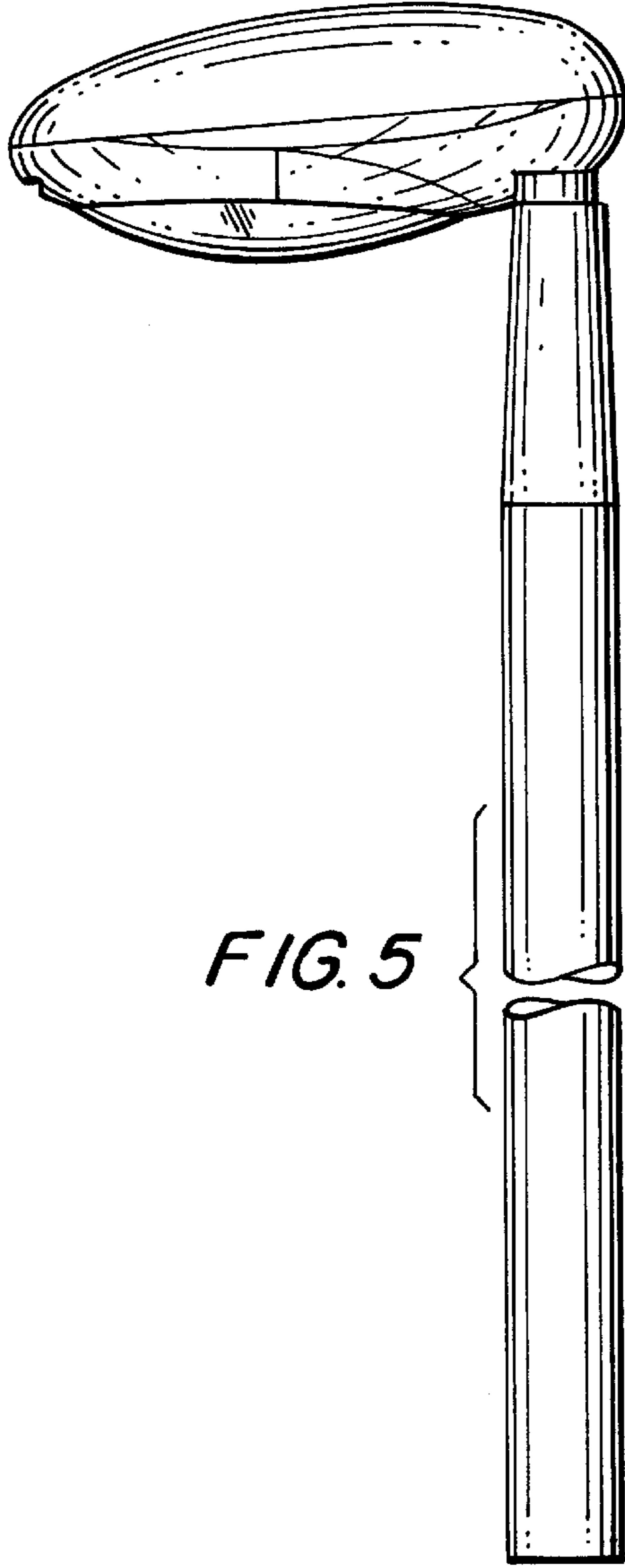


FIG. 7

