



US00D482481S

(12) **United States Design Patent**
Landefeld

(10) **Patent No.:** **US D482,481 S**

(45) **Date of Patent:** **** Nov. 18, 2003**

(54) **POLE MOUNTED LIGHT**

D318,535 S * 7/1991 Von Klier D26/88

(75) Inventor: **Cory Landefeld**, Long Beach, CA (US)

OTHER PUBLICATIONS

(73) Assignee: **Architectural Area Lighting, Inc.**, La Mirada, CA (US)

Taiwan Lighting, Nov. 2000, p. 44; item KB-1018A and "Halogen: 20W Task Lamp" at very bottom right of page.*
Taiwan Lighting Nov. 2000, p. 69; item NW-1598 in approximate center of page.*
Taiwan Lighting Aug. 2001, p. 59; Desk Lamps on right side of page (SD-748's).*

(**) Term: **14 Years**

* cited by examiner

(21) Appl. No.: **29/168,399**

(22) Filed: **Oct. 1, 2002**

Primary Examiner—Clare E. Heflin

(74) *Attorney, Agent, or Firm*—Milord & Associates, PC; Milord A. Keshishian, Esq.

Related U.S. Application Data

(62) Division of application No. 29/148,090, filed on Sep. 14, 2001, now Pat. No. Des. 470,965.

(57) **CLAIM**

(51) **LOC (7) Cl.** **26-05**

The ornamental design for a pole mounted light, as shown and described.

(52) **U.S. Cl.** **D26/71; D26/67; D26/61**

(58) **Field of Search** D26/61, 63, 65, D26/67, 71, 72, 80-92; 362/147, 404-408, 310, 326, 341, 346-353, 362, 363

DESCRIPTION

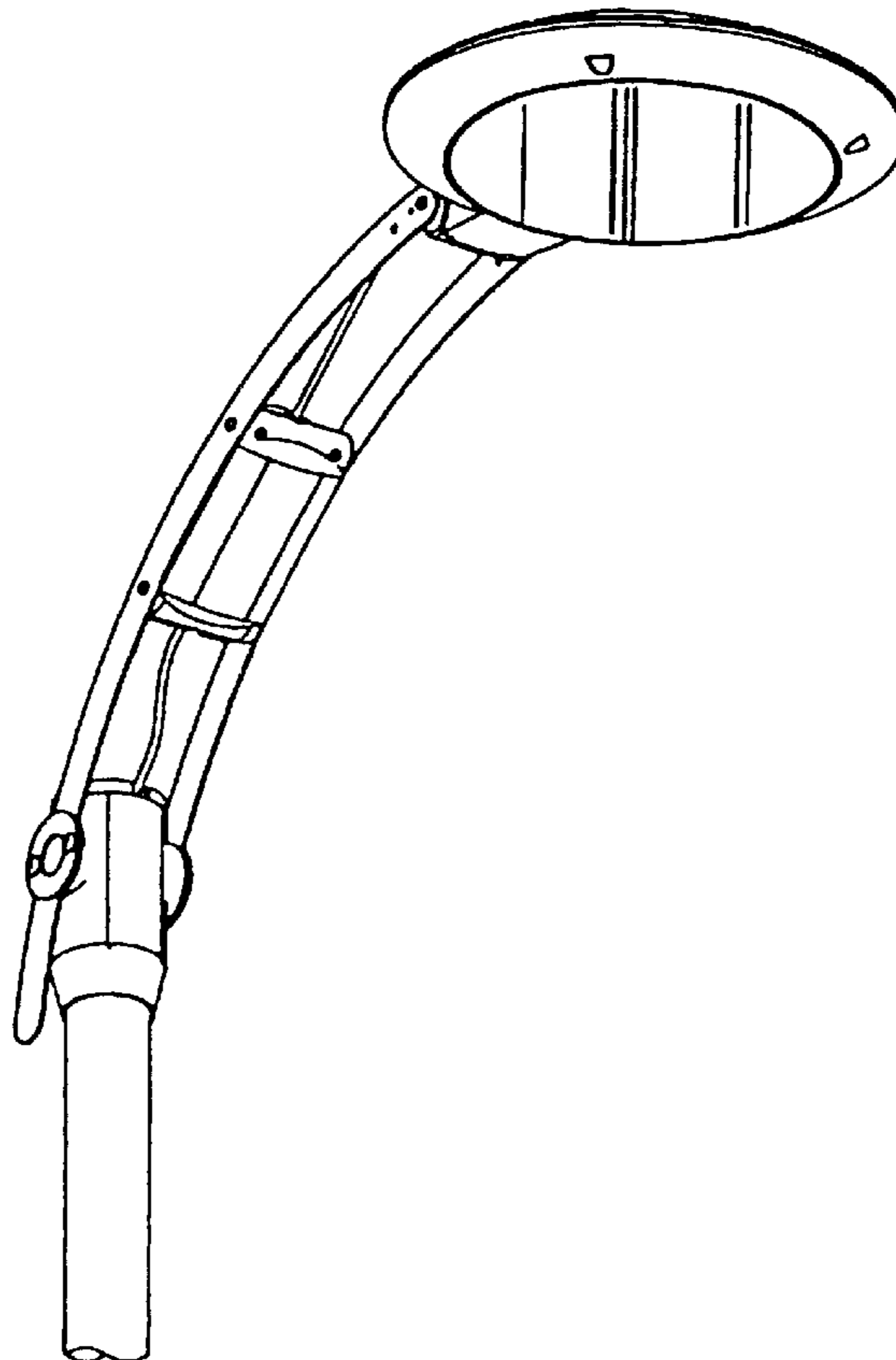
(56) **References Cited**

FIG. 1 is a top plan view of a pole mounted light;
FIG. 2 is a bottom plan view of the pole mounted light;
FIG. 3 is a perspective view of the pole mounted light;
FIG. 4 is a rear elevational view of the pole mounted light;
and,
FIG. 5 is a right hand elevational view of the pole mounted light.

U.S. PATENT DOCUMENTS

- D207,273 S * 3/1967 Muller D26/68
- D236,909 S * 9/1975 Richilano D26/68
- 4,298,921 A * 11/1981 Krogsrud et al. 362/346
- D266,958 S * 11/1982 Gernhardt D26/92

1 Claim, 1 Drawing Sheet



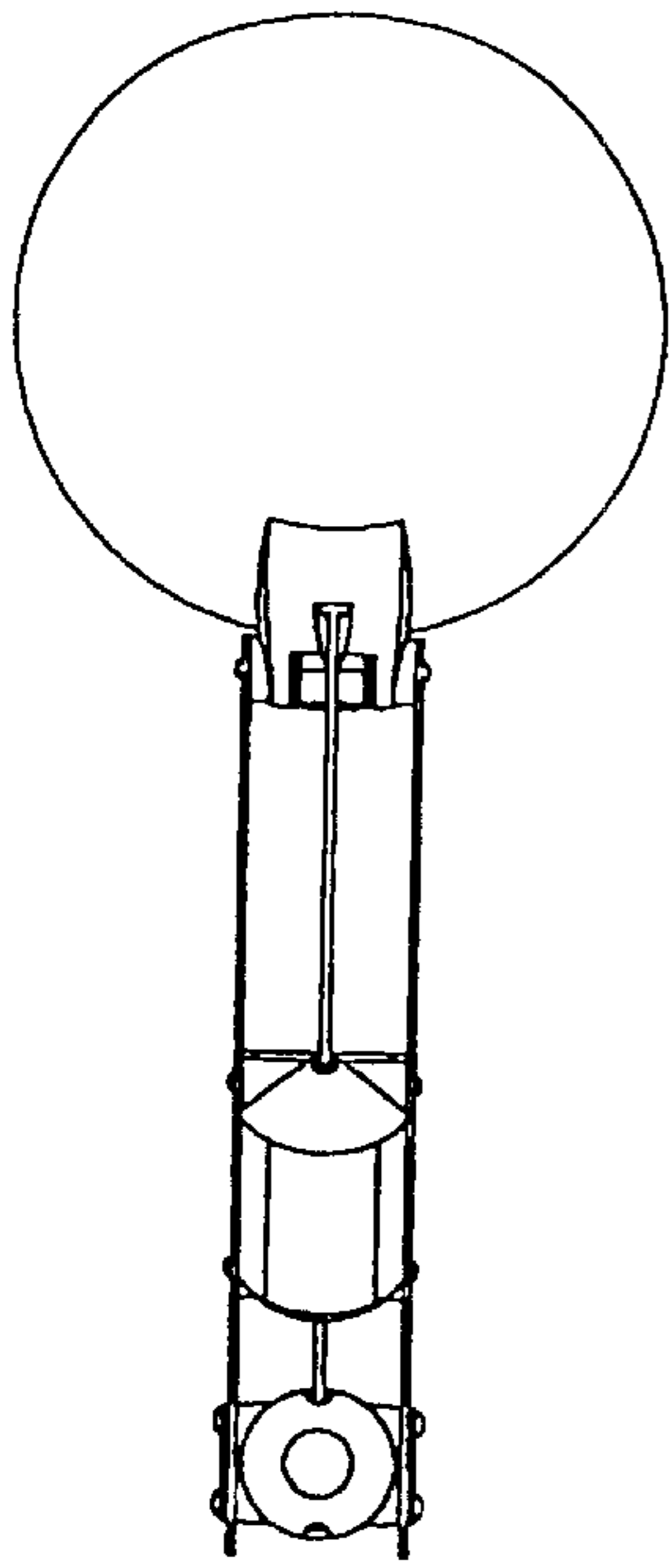


FIG. 1

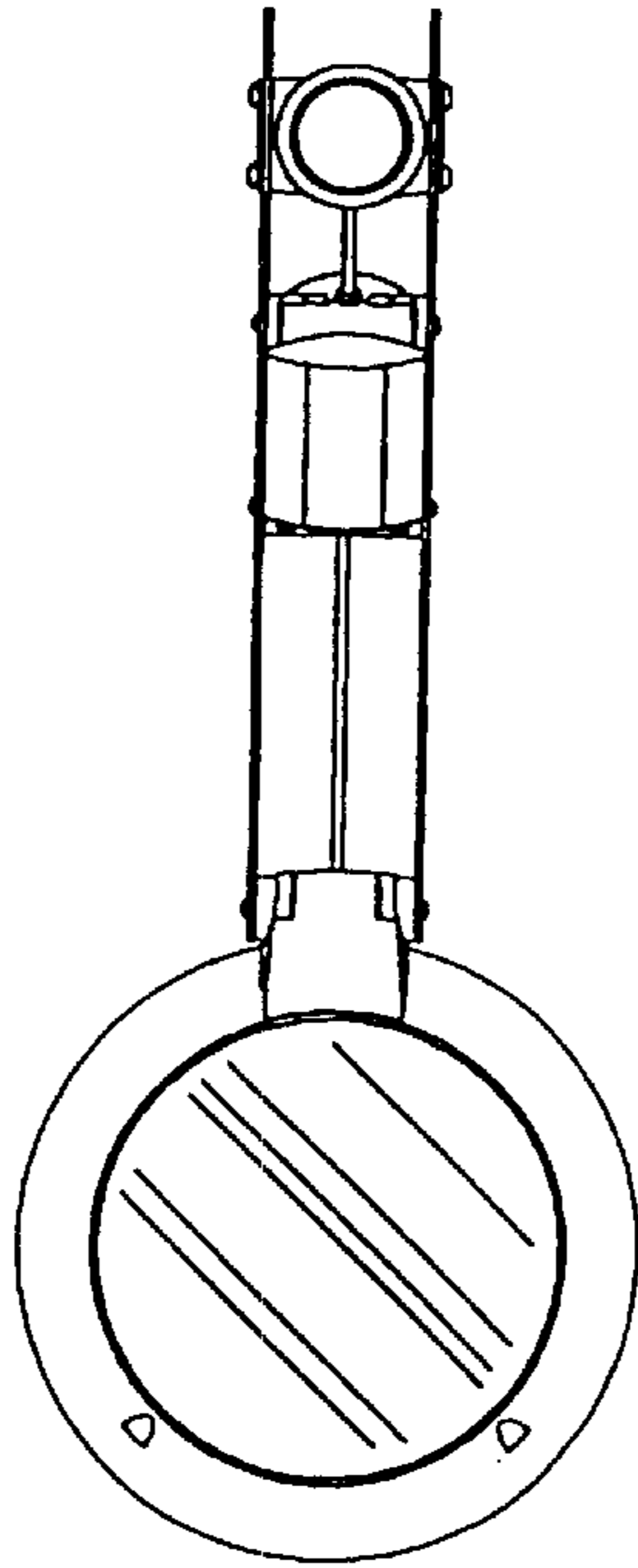


FIG. 2

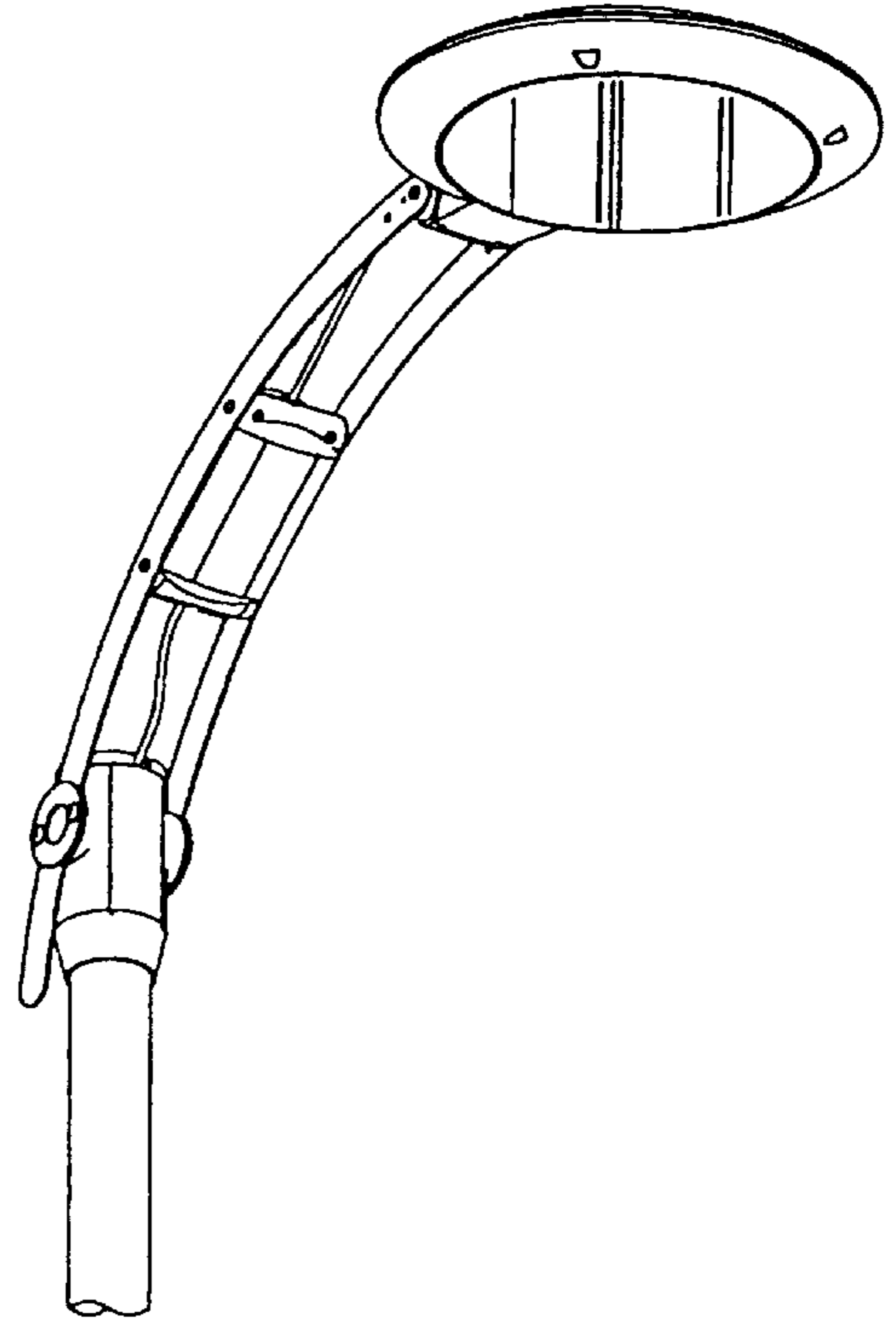


FIG. 3

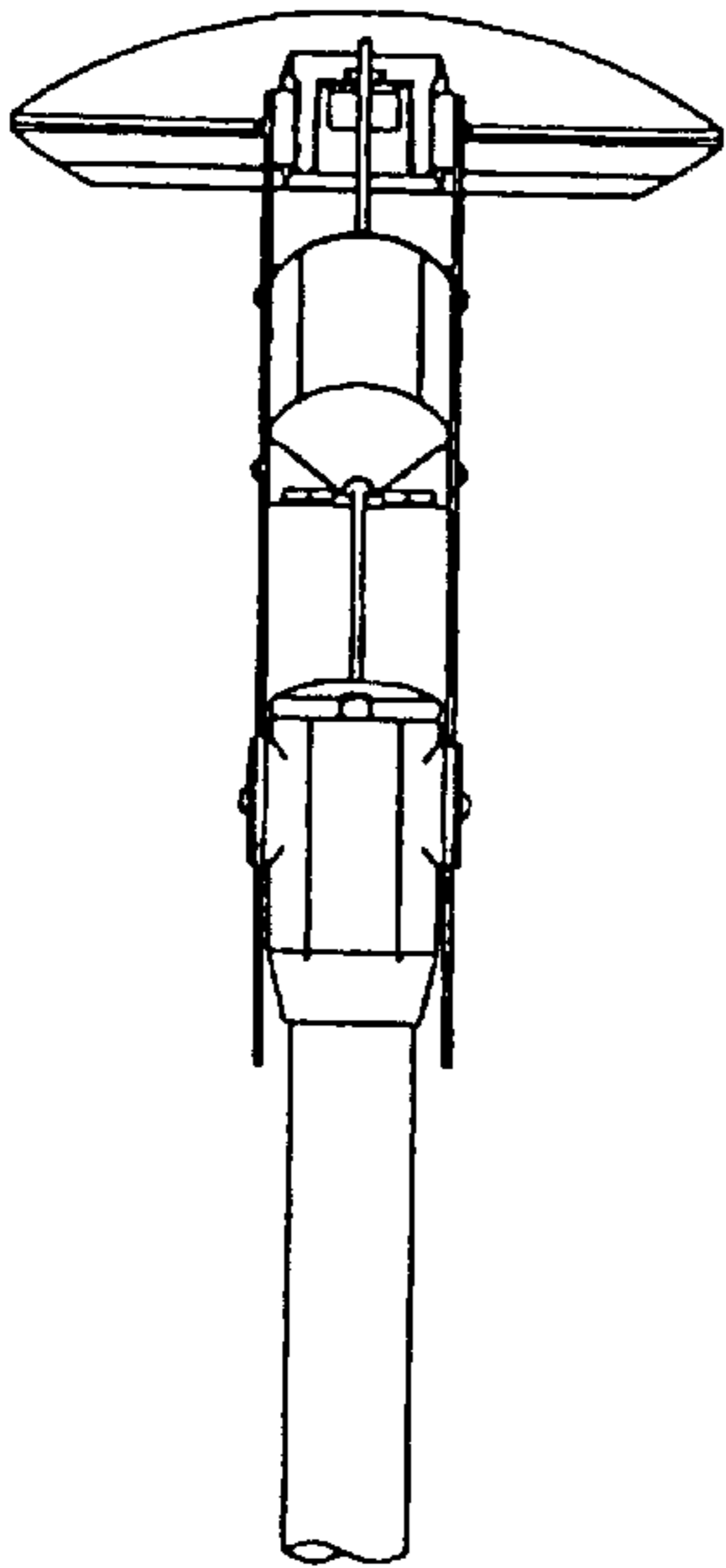


FIG. 4

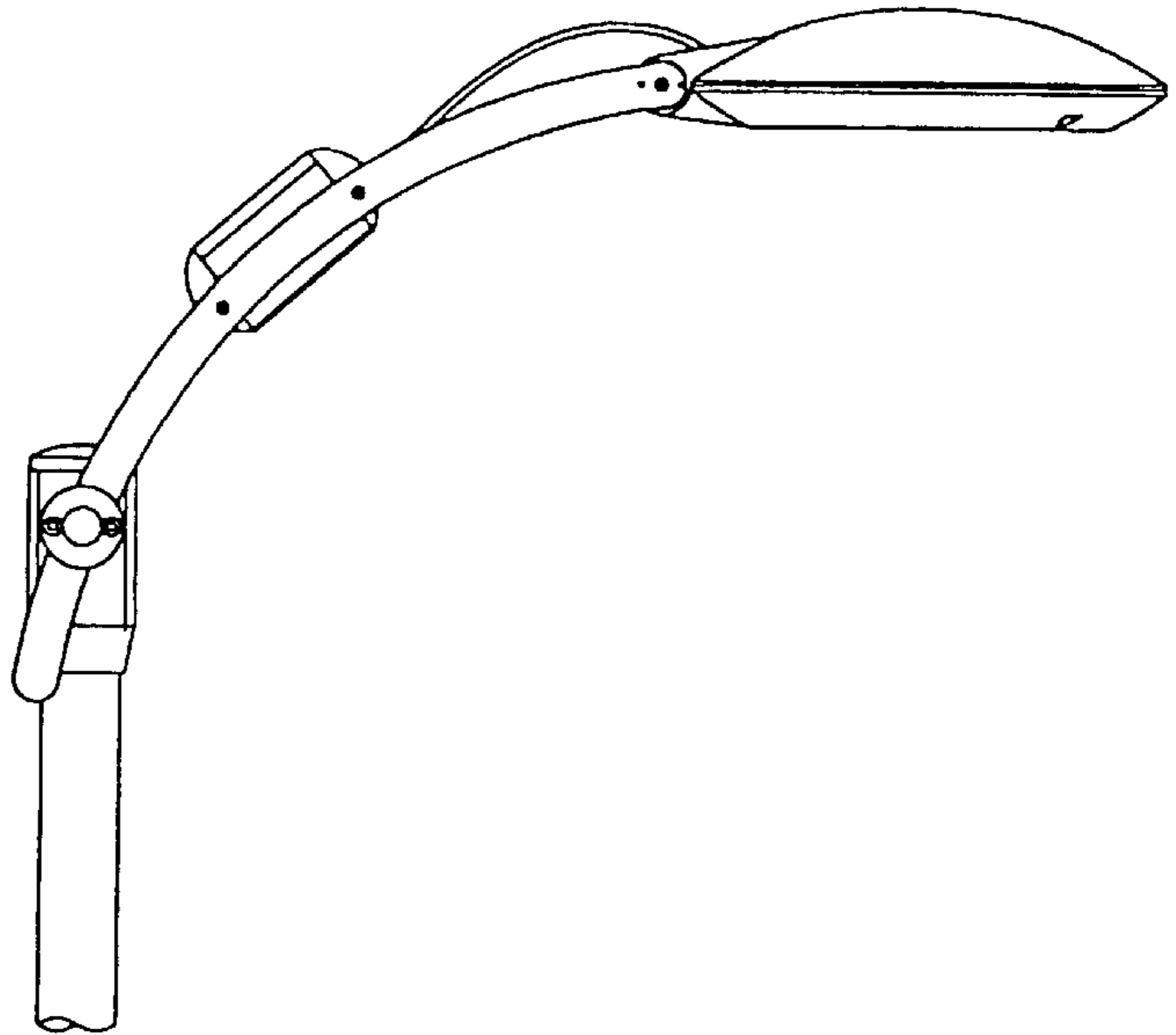


FIG. 5