



US00D482476S

(12) **United States Design Patent**  
**Kwong**

(10) **Patent No.:** **US D482,476 S**

(45) **Date of Patent:** **\*\* Nov. 18, 2003**

(54) **LIGHTING FIXTURE**

(75) **Inventor:** **Allan Kwong, Shatin (HK)**

(73) **Assignee:** **Regal King Manufacturing Limited,**  
**Hong Kong (HK)**

(\*\*) **Term:** **14 Years**

(21) **Appl. No.:** **29/165,591**

(22) **Filed:** **Aug. 13, 2002**

(51) **LOC (7) Cl.** ..... **26-05**

(52) **U.S. Cl.** ..... **D26/63**

(58) **Field of Search** ..... D26/61-66, 71,  
D26/24; 362/269, 270, 275, 277, 278, 281,  
283-286, 289, 345, 401, 402, 423, 427

(56) **References Cited**

**U.S. PATENT DOCUMENTS**

D98,047 S	*	1/1936	Beck	.....	D26/63
D111,577 S		10/1938	Arenberg		
D209,078 S		10/1967	Andre	.....	D48/20
3,725,695 A	*	4/1973	Eversberg et al.	.....	362/394
D234,218 S	*	1/1975	Donato	.....	D26/65
D234,219 S	*	1/1975	Donato	.....	D26/65
D234,220 S	*	1/1975	Donato	.....	D26/65
D296,244 S	*	6/1988	Donato	.....	D26/63
D315,964 S		4/1991	Joosten et al.	.....	D26/63
D322,862 S		12/1991	Miller	.....	D26/63
D370,990 S	*	6/1996	Lin	.....	D26/63
D384,430 S		9/1997	Lecluze	.....	D26/24
D391,381 S		2/1998	Yang	.....	D26/60
D395,140 S	*	6/1998	O'Rourke	.....	D26/140
D397,234 S		8/1998	Huang	.....	D26/63
D399,585 S	*	10/1998	Giese et al.	.....	D26/63
D407,518 S		3/1999	Yeh	.....	D26/63

D408,570 S		4/1999	Bird	.....	D26/63
D427,696 S		7/2000	Scott et al.	.....	D26/28
D435,925 S	*	1/2001	Hiller et al.	.....	D26/63
D437,955 S	*	2/2001	Tang	.....	D26/63
D443,940 S		6/2001	Donato	.....	D26/63
D448,508 S		9/2001	Benghozi	.....	D26/63
D464,455 S	*	10/2002	Fong et al.	.....	D26/63
2002/0060911 A1	*	5/2002	Brockmann et al.	.....	362/321

**OTHER PUBLICATIONS**

Container sidewall, Halogen Ceiling Fixture MR-16, SKU 198-622, Hampton Bay Fan and Lighting Co., 2455 Paces Ferry Rd., Atlanta, Ga. 30339.

\* cited by examiner

*Primary Examiner*—Clare E. Heflin

(74) *Attorney, Agent, or Firm*—Baker, Donelson, Bearman, Caldwell & Berkowitz

(57) **CLAIM**

The ornamental design for a lighting fixture, as shown and described.

**DESCRIPTION**

FIG. 1 is a perspective view of my new design for a lighting fixture;

FIG. 2 is a bottom view thereof;

FIG. 3 is a top view thereof;

FIG. 4 is a front side view thereof; the back side view being a mirror image thereof; and,

FIG. 5 is a right side view thereof; the left side view being a mirror image thereof.

The phantom lines illustrating the lighting transformer housing and wiring in FIG. 1 form no part of the claimed design.

**1 Claim, 3 Drawing Sheets**

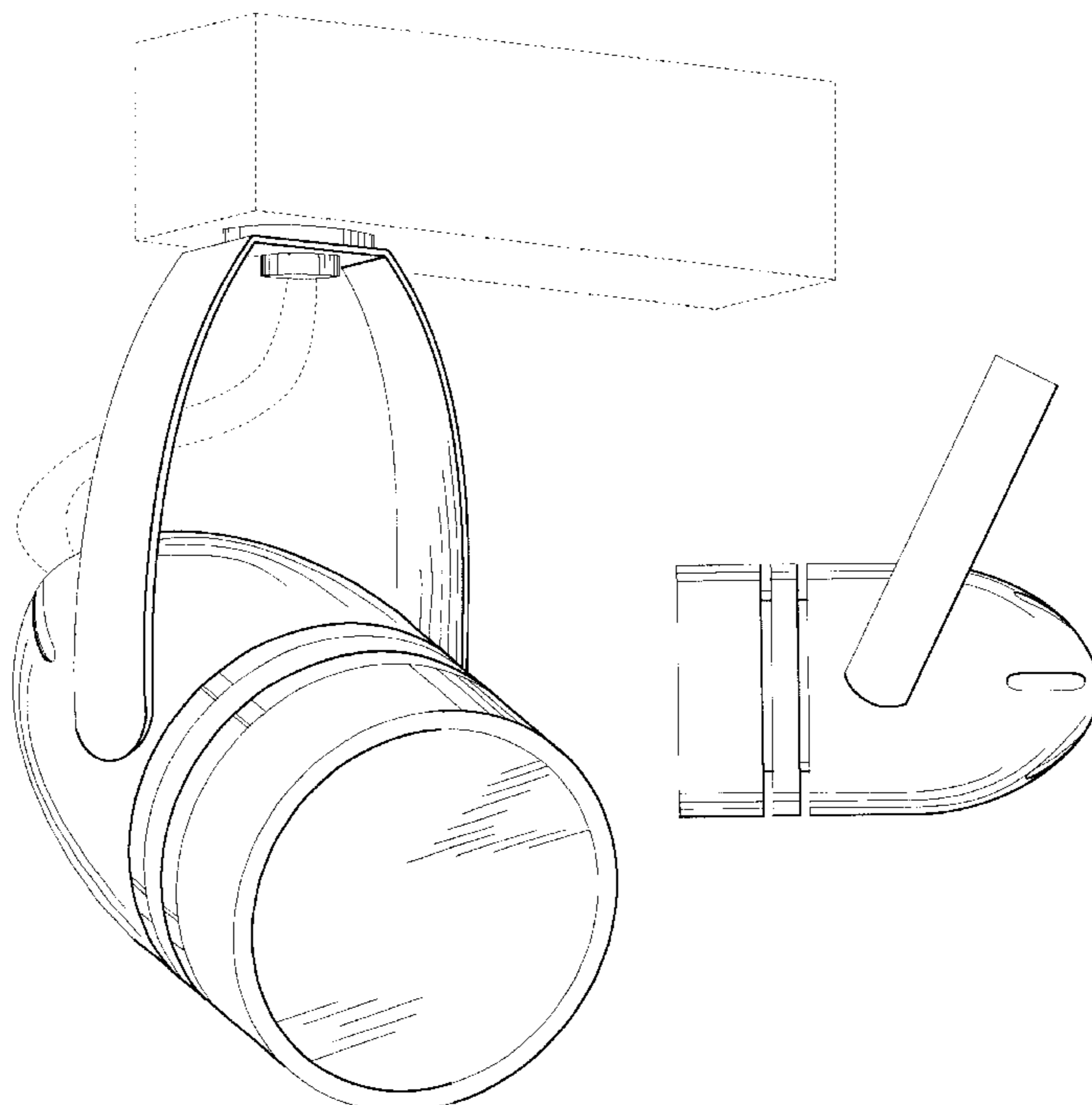


Fig. 1

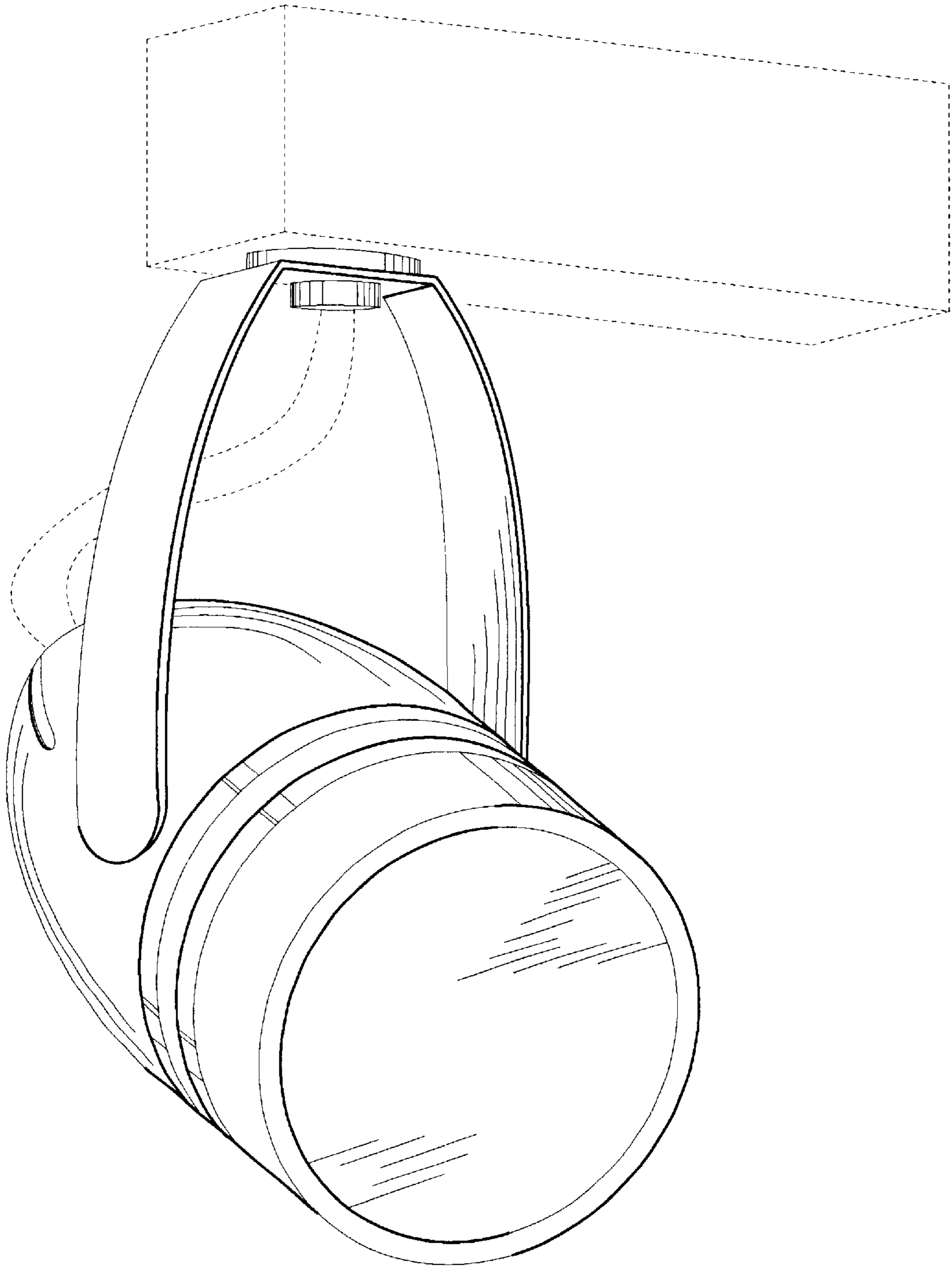


Fig. 2

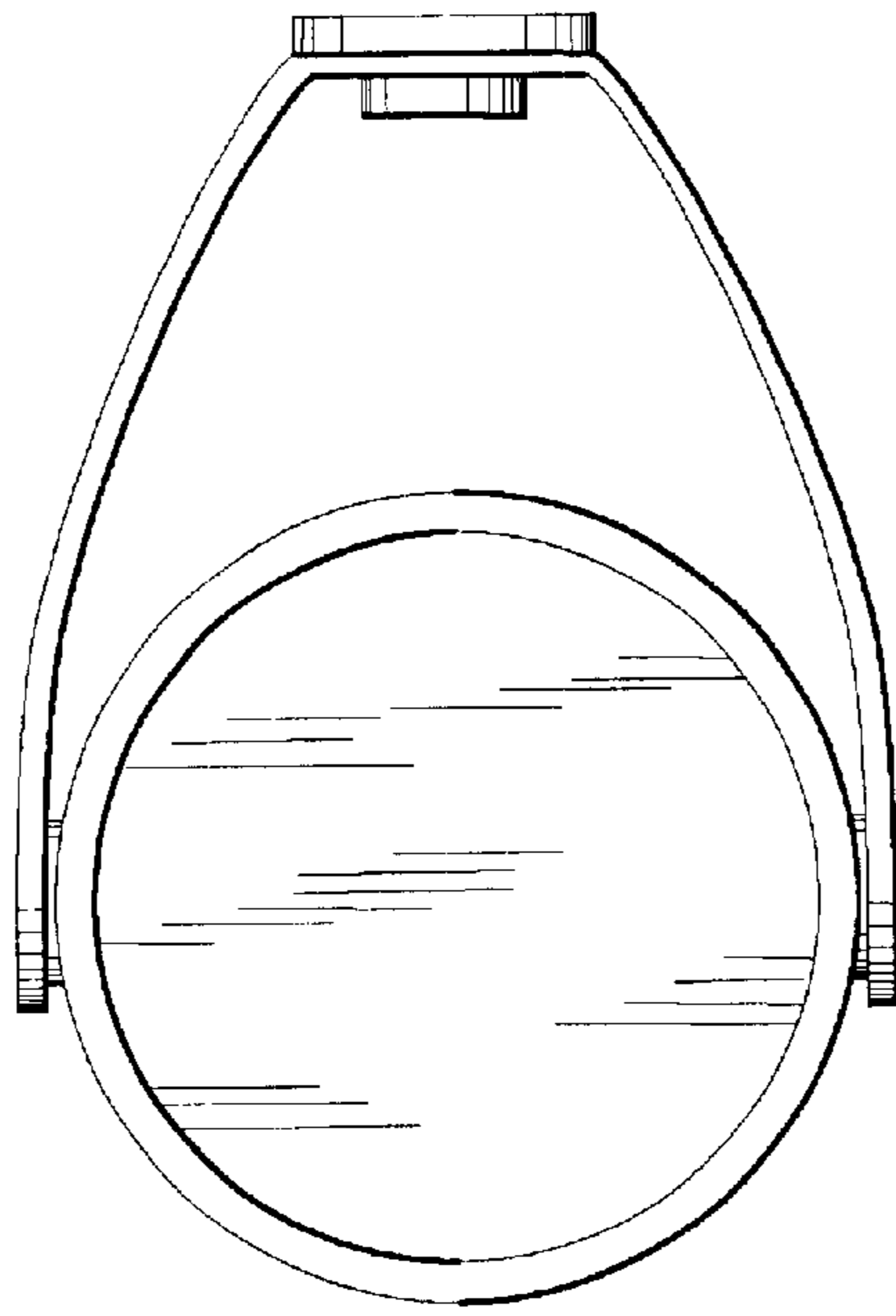


Fig. 3

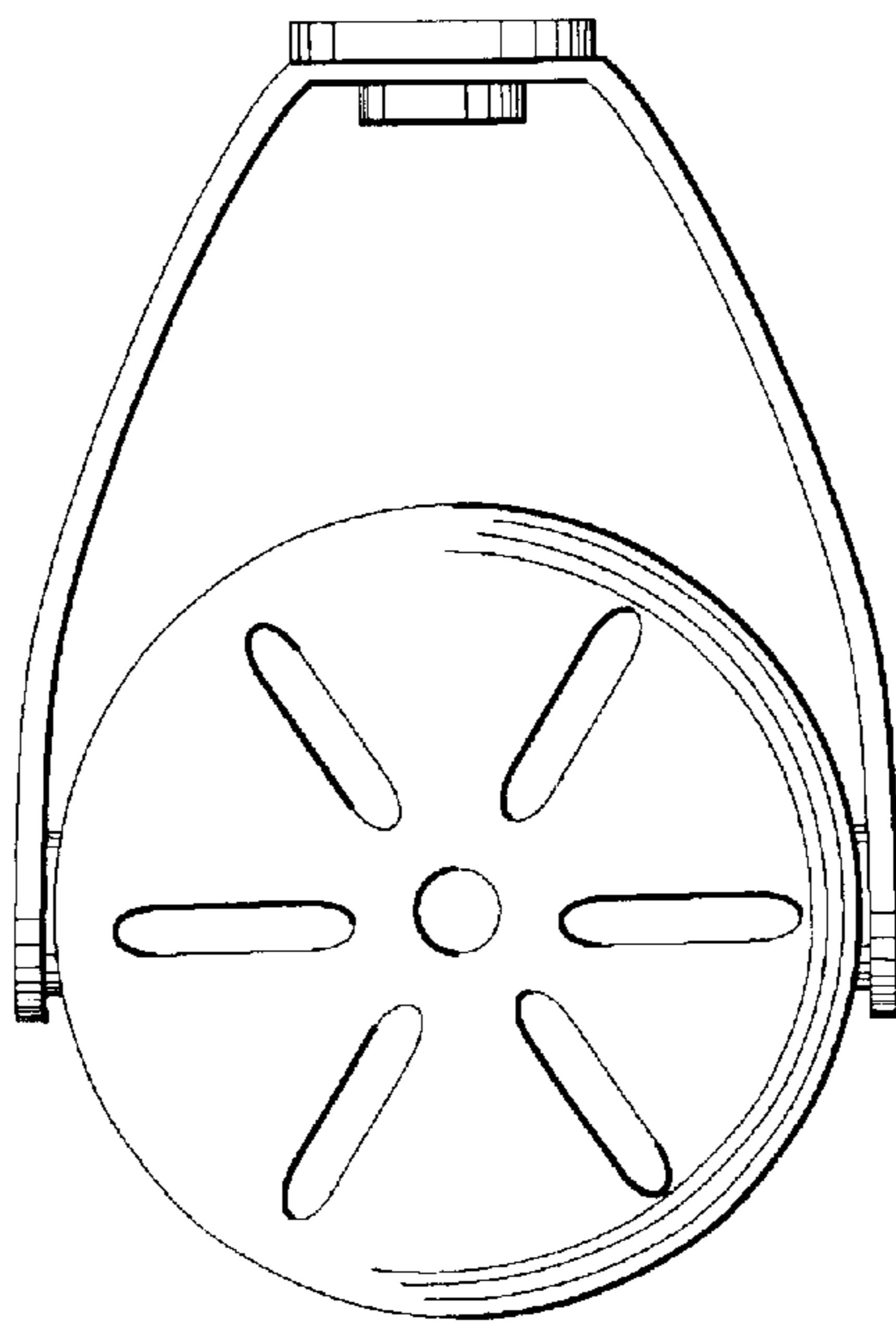


Fig. 4

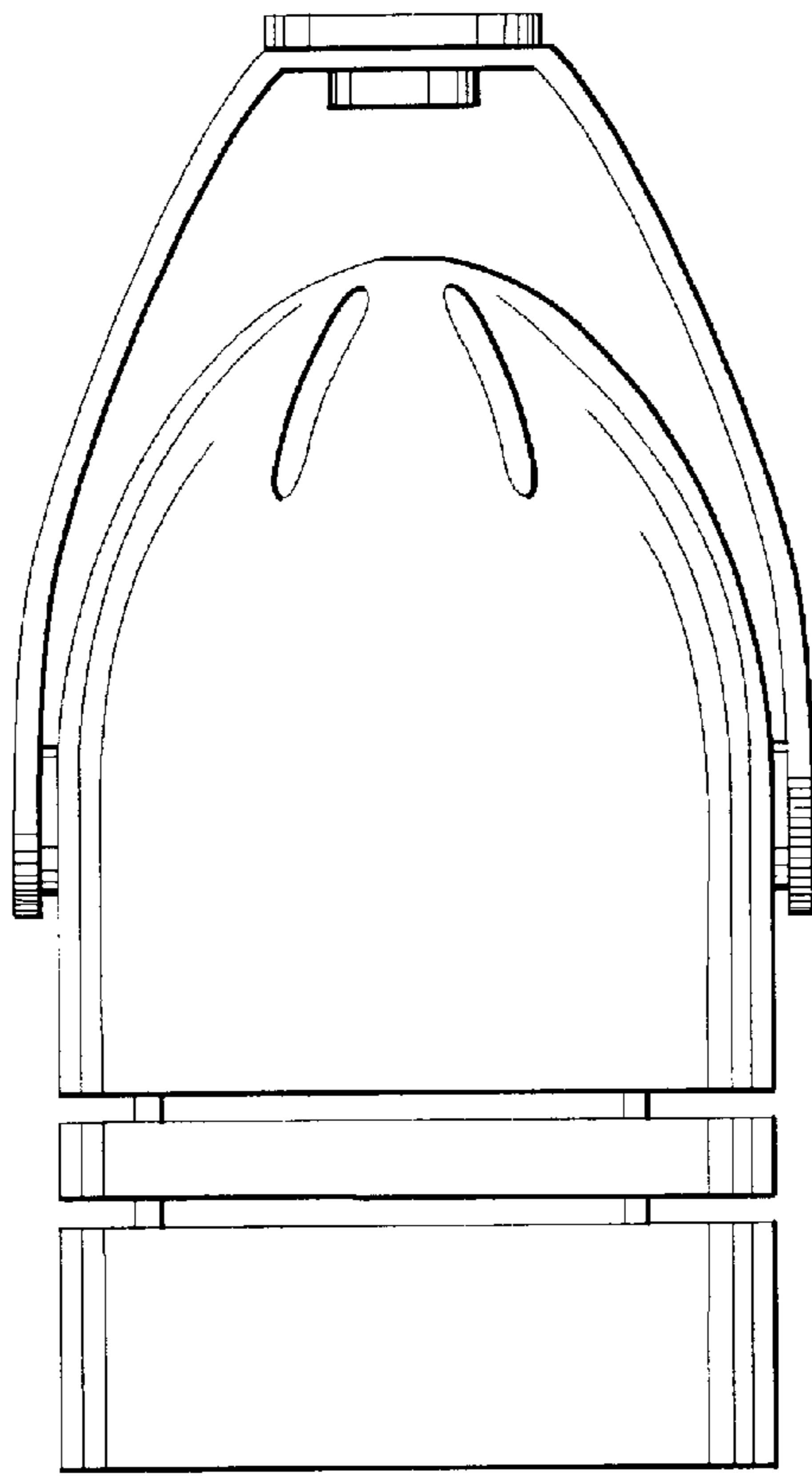


Fig. 5

