



US00D482473S

(12) **United States Design Patent**
Shiu

(10) **Patent No.:** **US D482,473 S**

(45) **Date of Patent:** **** Nov. 18, 2003**

(54) **HEADLIGHT**

D445,931 S * 7/2001 Shiu D26/39
D470,615 S * 2/2003 Janice et al. D26/39

(75) **Inventor:** **Stephanie Wai Man Shiu, Kowloon (HK)**

* cited by examiner

(73) **Assignee:** **Gold Coral International Limited, Kowloon (HK)**

Primary Examiner—Marcus A. Jackson
(74) *Attorney, Agent, or Firm*—Mitchell Silberberg & Knupp LLP

(**) **Term:** **14 Years**

(57) **CLAIM**

(21) **Appl. No.:** **29/172,235**

The ornamental design for a headlight, as shown and described.

(22) **Filed:** **Dec. 9, 2002**

(30) **Foreign Application Priority Data**

May 30, 2002 (HK) 0210789

(51) **LOC (7) Cl.** **26-02**

(52) **U.S. Cl.** **D26/39**

(58) **Field of Search** D26/37-50; 362/103, 362/105, 157, 158, 171, 172, 173, 183-208

DESCRIPTION

FIG. 1 is a front elevational view of a headlight according to the present invention, with a strap for attaching to a wearer's head shown in broken lines.

FIG. 2 is a right side elevational view of the headlight.

FIG. 3 is a top plan view of the headlight.

FIG. 4 is a rear elevational view of the headlight.

FIG. 5 is a left side elevational view of the headlight; and,

FIG. 6 is a bottom plan view of the headlight.

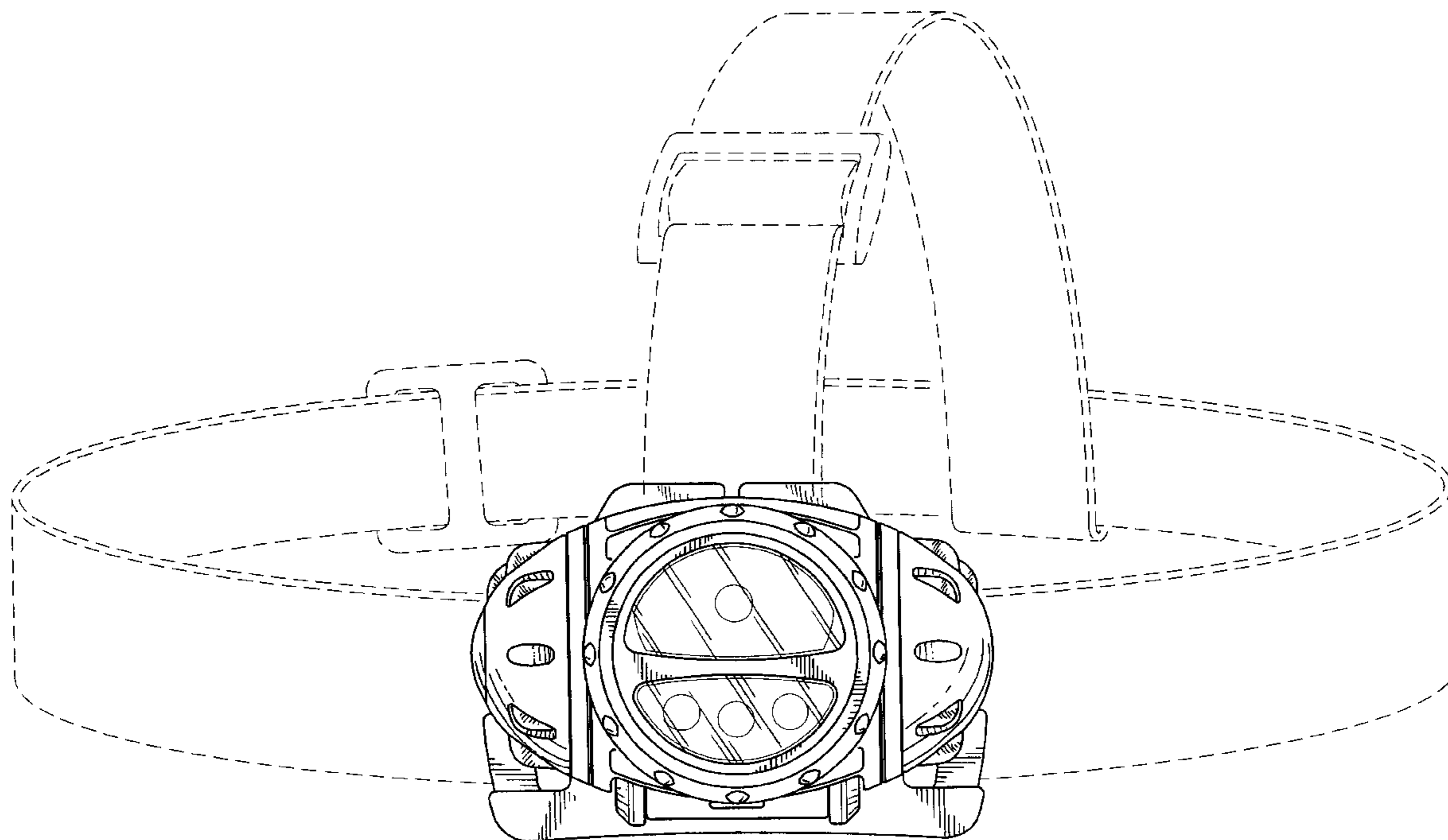
The head strap is shown in broken lines for illustrative purposes only and forms no part of the claimed design.

(56) **References Cited**

U.S. PATENT DOCUMENTS

D405,202 S * 2/1999 Fattori et al. D29/39
D445,929 S * 7/2001 Shing D26/39

1 Claim, 3 Drawing Sheets



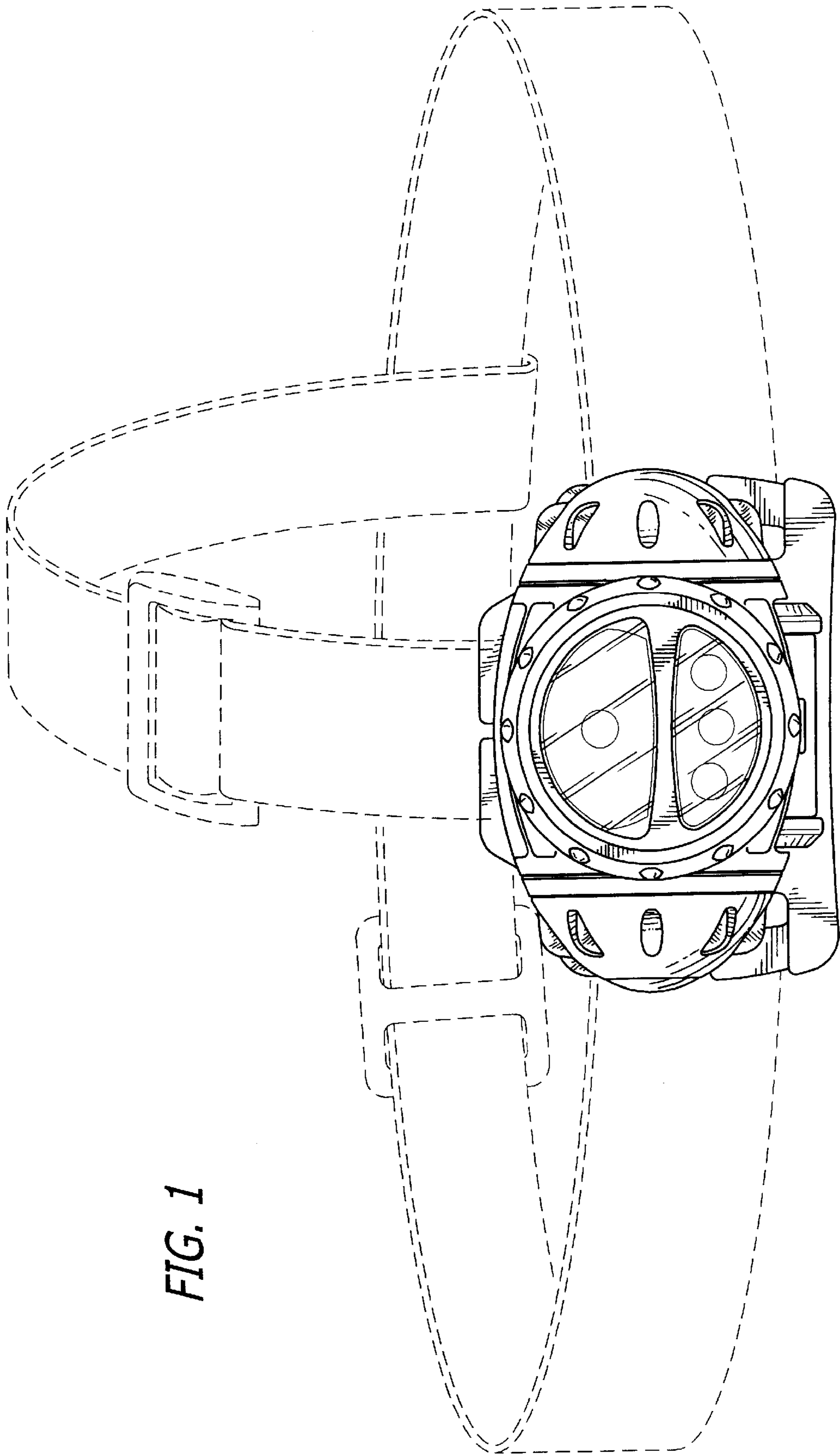


FIG. 1

FIG. 2

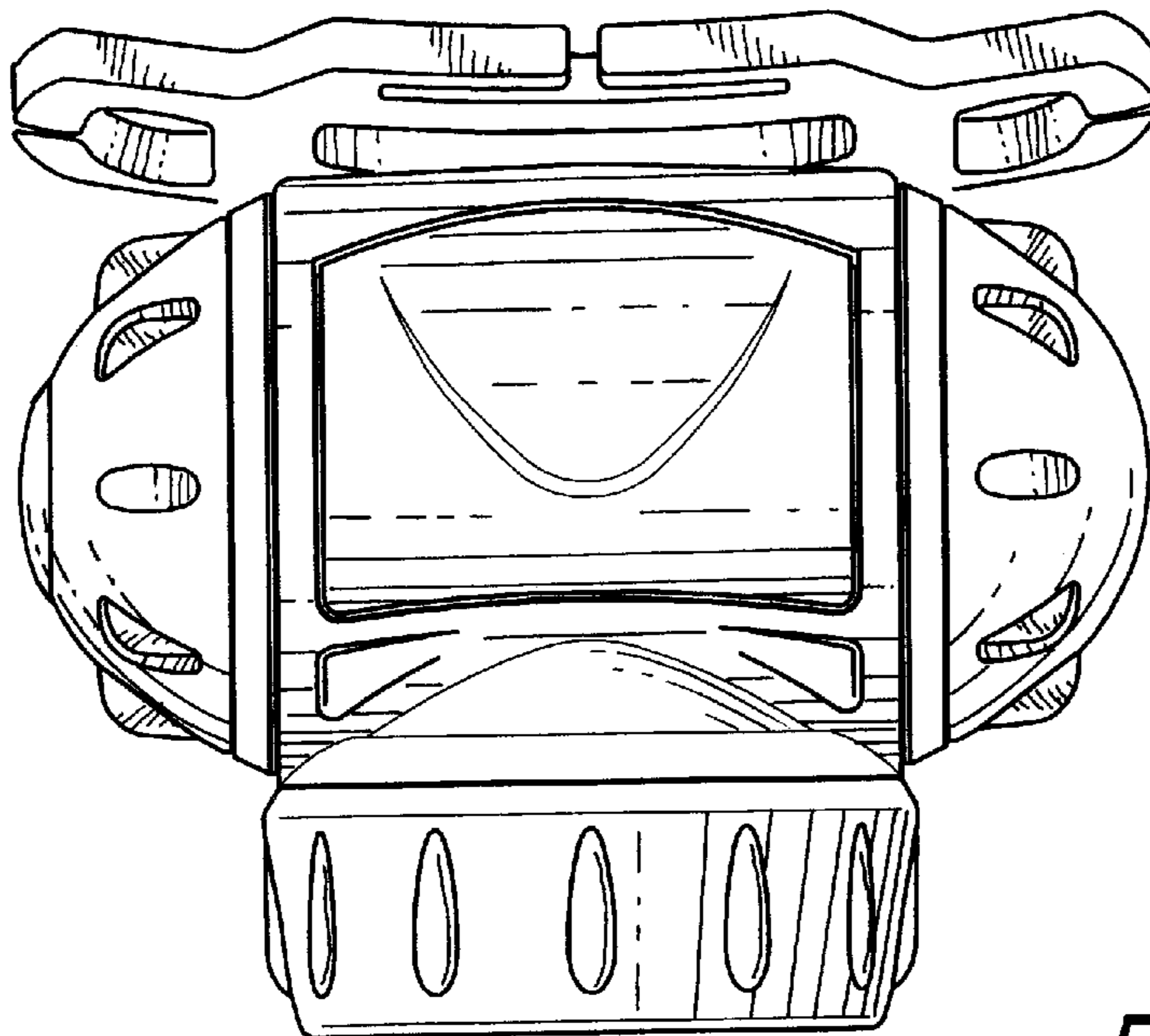
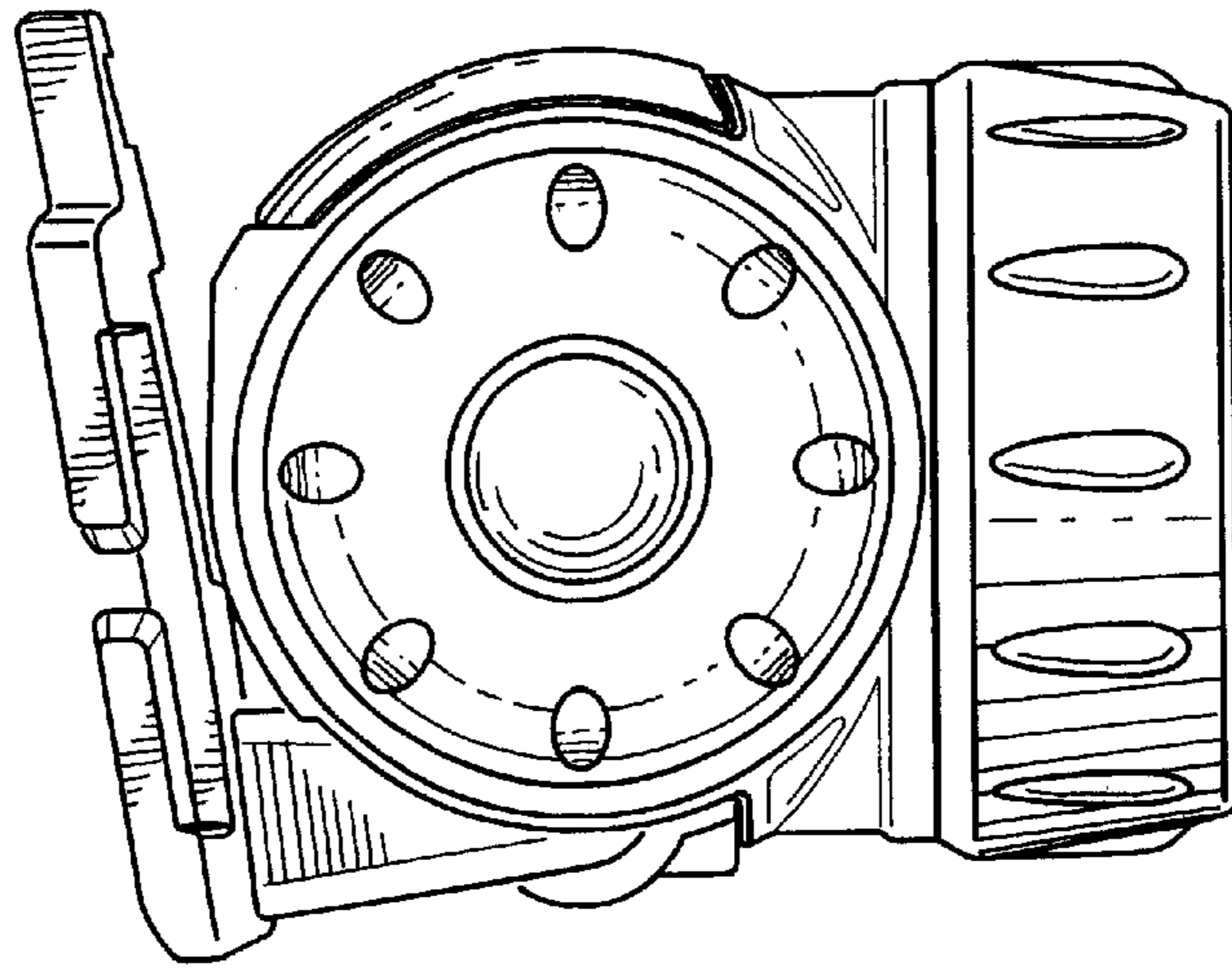


FIG. 3

FIG. 4

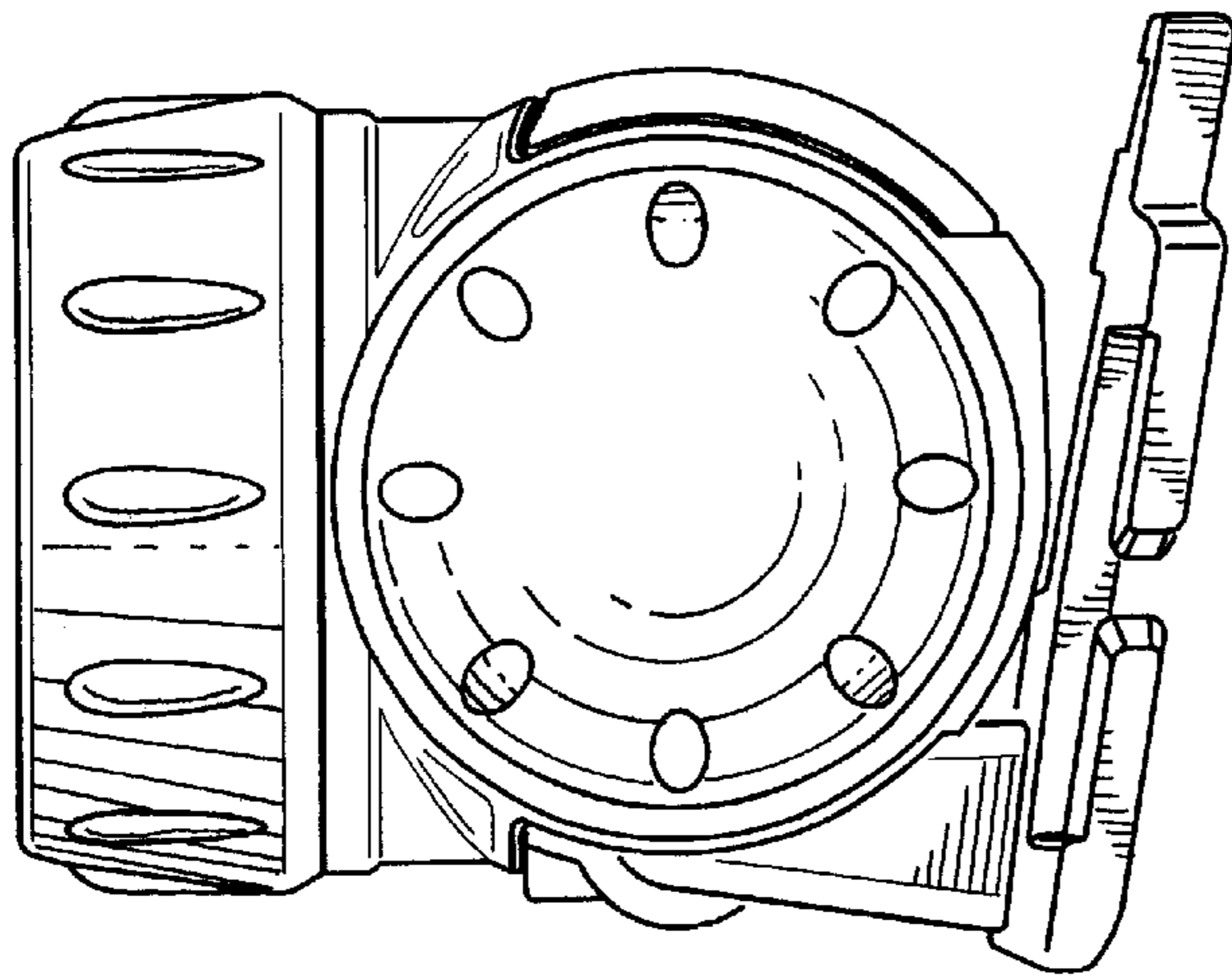
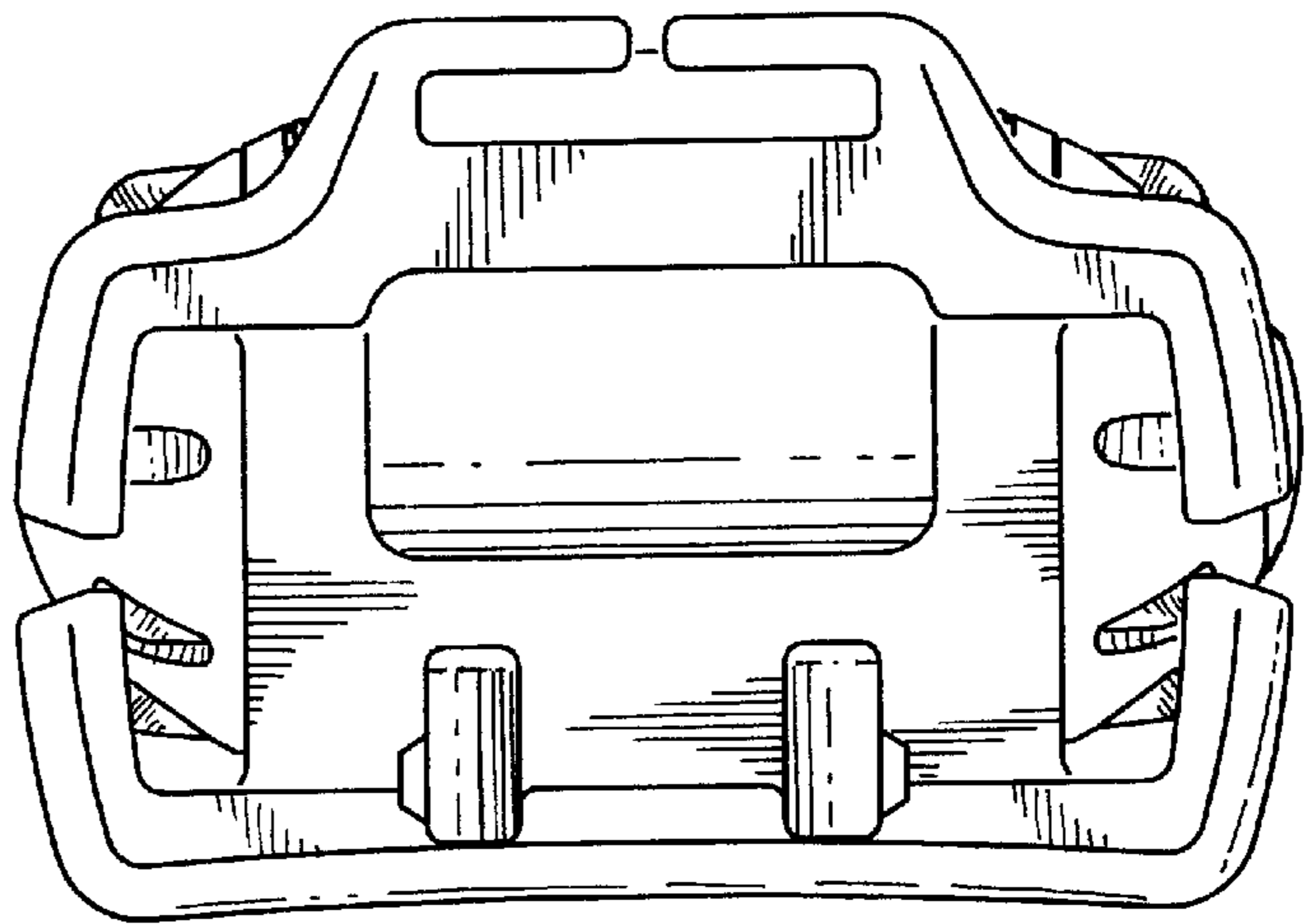


FIG. 5

FIG. 6

