



US00D482472S

(12) **United States Design Patent**
Shiu

(10) **Patent No.:** **US D482,472 S**

(45) **Date of Patent:** **** Nov. 18, 2003**

(54) **HEADLIGHT**

D445,931 S * 7/2001 Shiu D26/39
D470,615 S * 2/2003 Janice et al. D26/39

(75) Inventor: **Stephanie Wai Man Shiu, Kowloon (HK)**

* cited by examiner

(73) Assignee: **Gold Coral International Limited, Kowloon (HK)**

Primary Examiner—Marcus A. Jackson
(74) *Attorney, Agent, or Firm*—Mitchell Silberberg & Knupp LLP

(**) Term: **14 Years**

(57) **CLAIM**

(21) Appl. No.: **29/172,230**

The ornamental design for a headlight, as shown and described.

(22) Filed: **Dec. 9, 2002**

(30) **Foreign Application Priority Data**

Apr. 18, 2002 (HK) 0210522

(51) **LOC (7) Cl.** **26-02**

(52) **U.S. Cl.** **D26/39**

(58) **Field of Search** D26/37-50; 362/103, 362/105, 157, 158, 171, 172, 173, 183-208

DESCRIPTION

FIG. 1 is a front elevational view of a headlight according to the present invention, with a strap for attaching to a wearer's head shown in broken lines.

FIG. 2 is a left side elevational view of the headlight.

FIG. 3 is a rear elevational view of the headlight.

FIG. 4 is a top plan view of the headlight; and,

FIG. 5 is a bottom plan view of the headlight.

The right side elevational view is the mirror image of the left side elevational view.

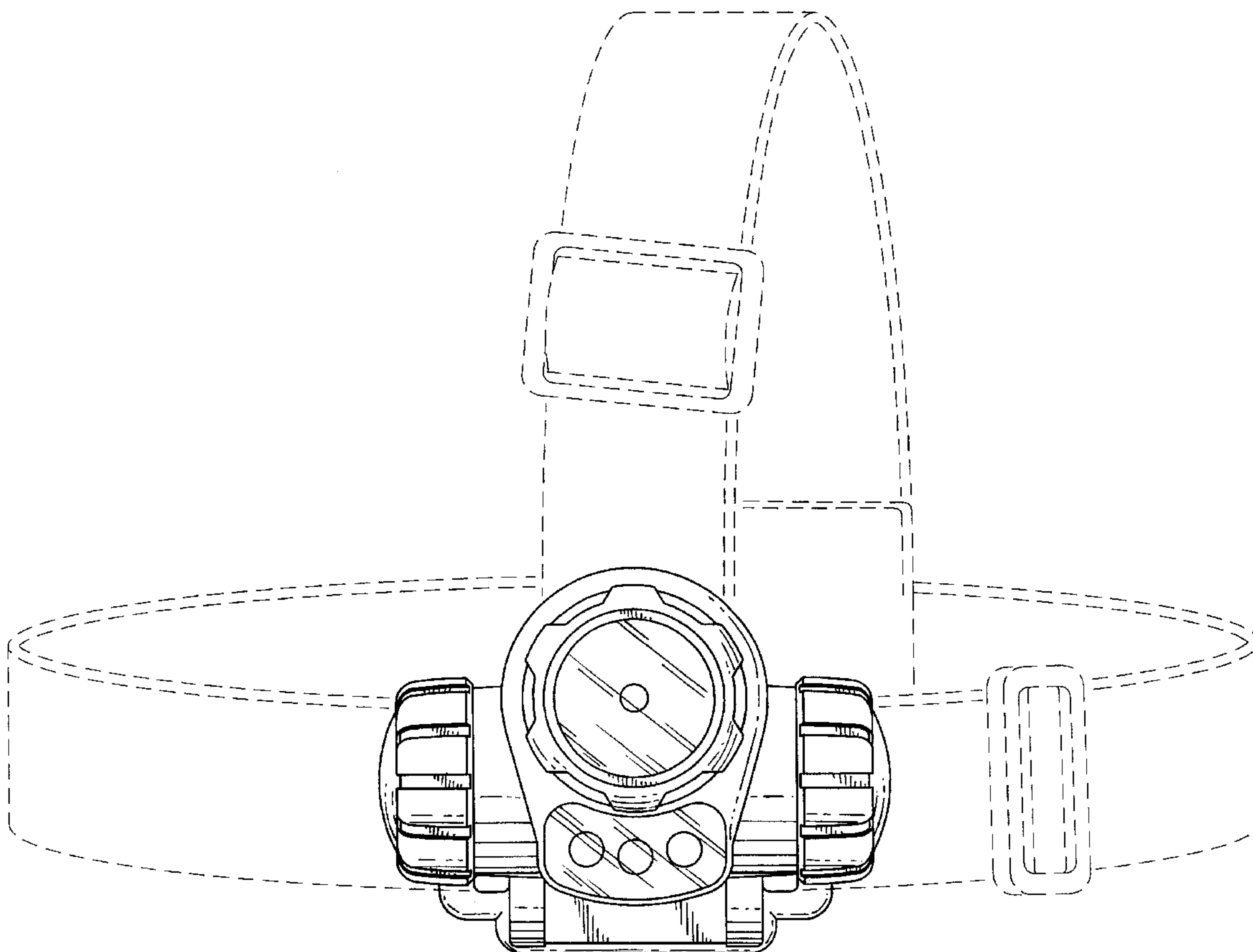
The head strap is shown in broken lines for illustrative purposes only and forms no part of the claimed design.

(56) **References Cited**

U.S. PATENT DOCUMENTS

D405,202 S * 2/1999 Fattori et al. D26/39
D445,929 S * 7/2001 Shing D26/39

1 Claim, 3 Drawing Sheets



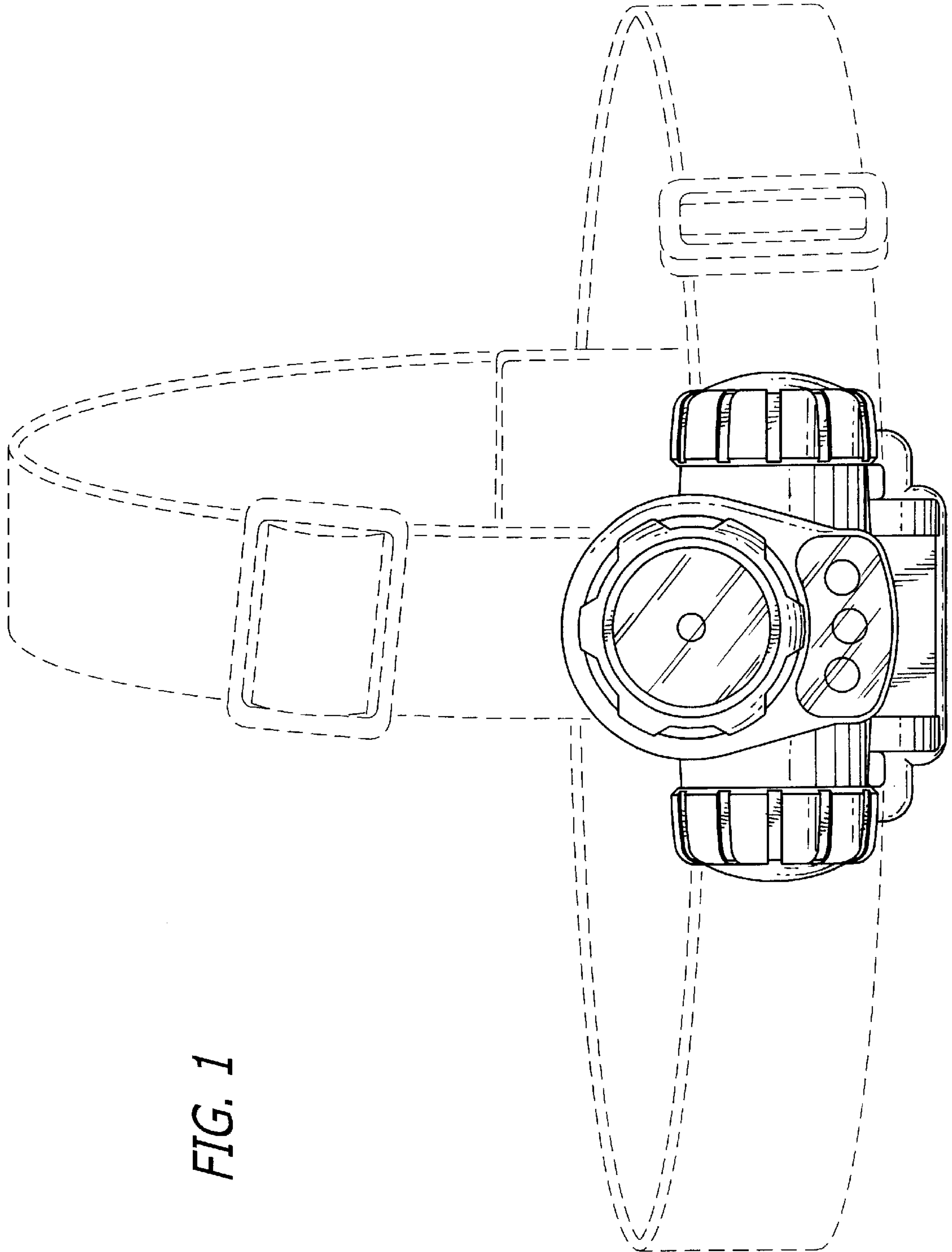


FIG. 1

FIG. 2

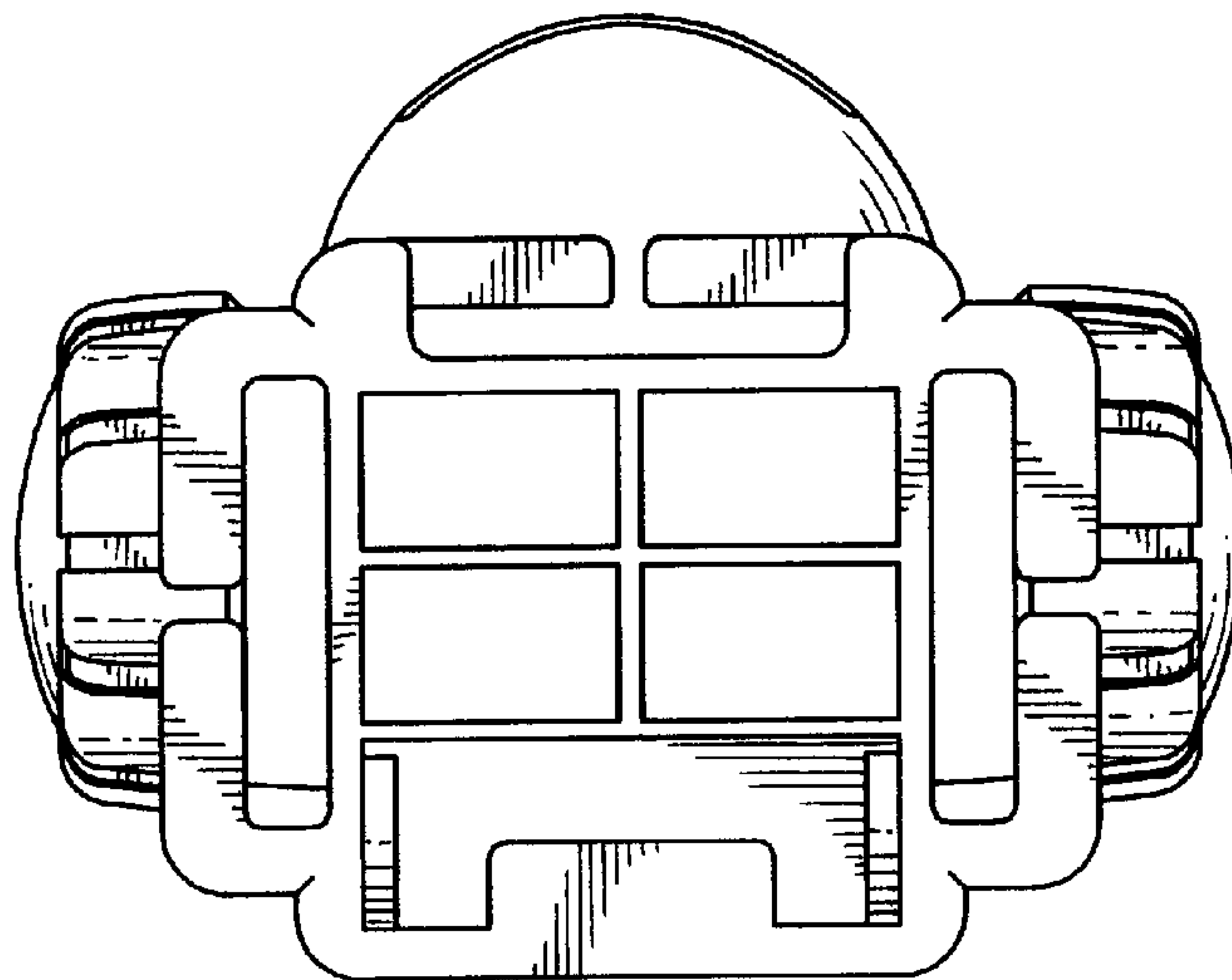
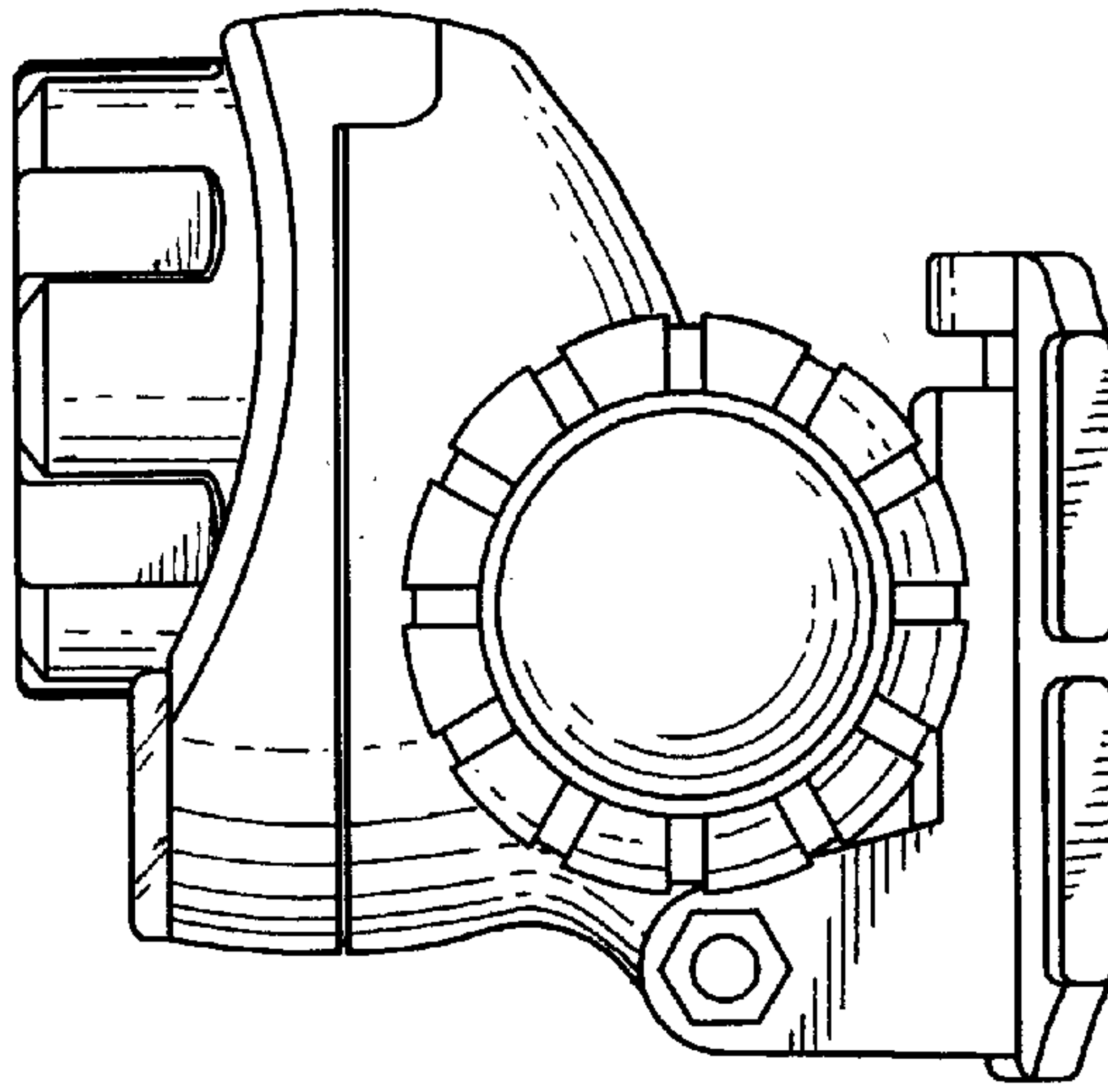


FIG. 3

FIG. 4

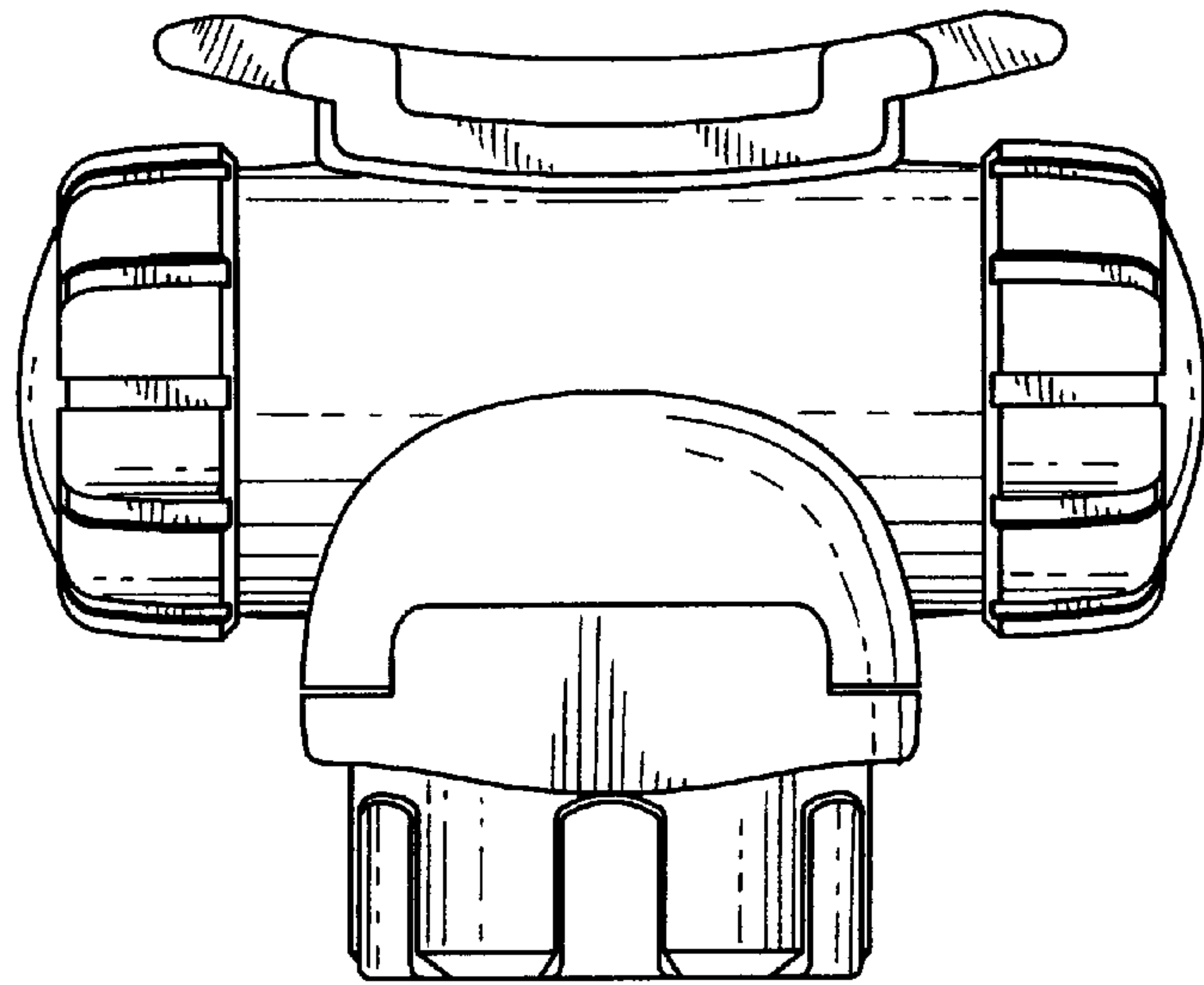


FIG. 5

