



US00D482470S

(12) **United States Design Patent**
Yen

(10) **Patent No.:** **US D482,470 S**

(45) **Date of Patent:** **** Nov. 18, 2003**

(54) **ELECTRIC TORCH**

Primary Examiner—Marcus A. Jackson

(76) Inventor: **Jen Yen Yen**, 235 Chung-Ho Box 8-24,
Taipei (TW)

(**) Term: **14 Years**

(57) **CLAIM**

The ornamental design for a electrical torch, as shown and described.

(21) Appl. No.: **29/171,844**

(22) Filed: **Dec. 2, 2002**

DESCRIPTION

(51) **LOC (7) Cl.** **26-02**

(52) **U.S. Cl.** **D26/37**

(58) **Field of Search** D26/37-50; 362/157,
362/158, 171, 172, 173, 183-208

FIG. 1 is a perspective view of a electric torch showing my new design;

FIG. 2 is a front elevational view thereof;

FIG. 3 is a rear elevational view thereof

FIG. 4 is a left side view thereof;

FIG. 5 is a right side view thereof;

FIG. 6 is a top plan view thereof; and,

FIG. 7 is a bottom plan view thereof.

(56) **References Cited**

U.S. PATENT DOCUMENTS

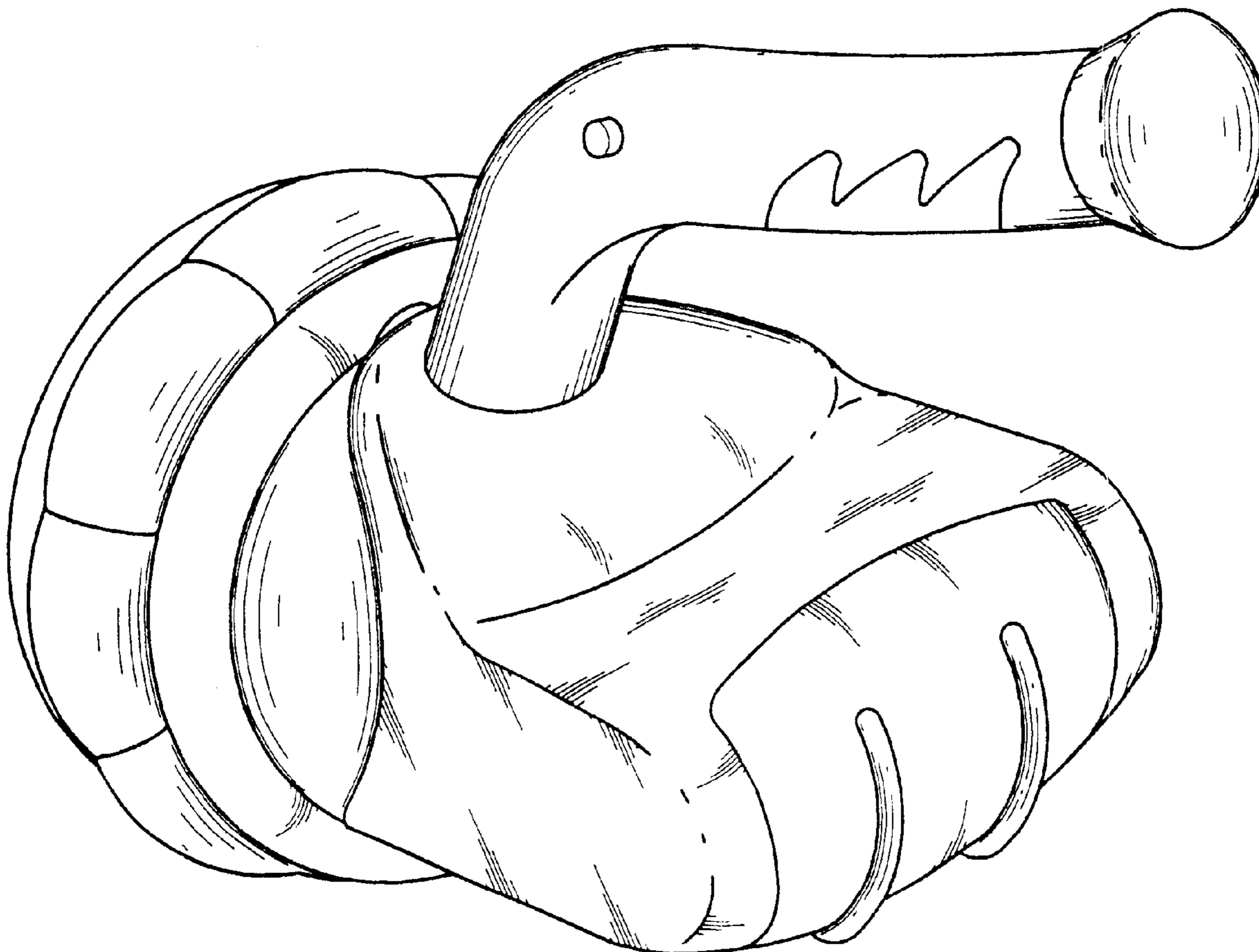
D404,154 S * 1/1999 Breit D26/37

D436,196 S * 1/2001 Chan et al. D26/37

D440,333 S * 4/2001 Yuen D26/37

* cited by examiner

1 Claim, 7 Drawing Sheets



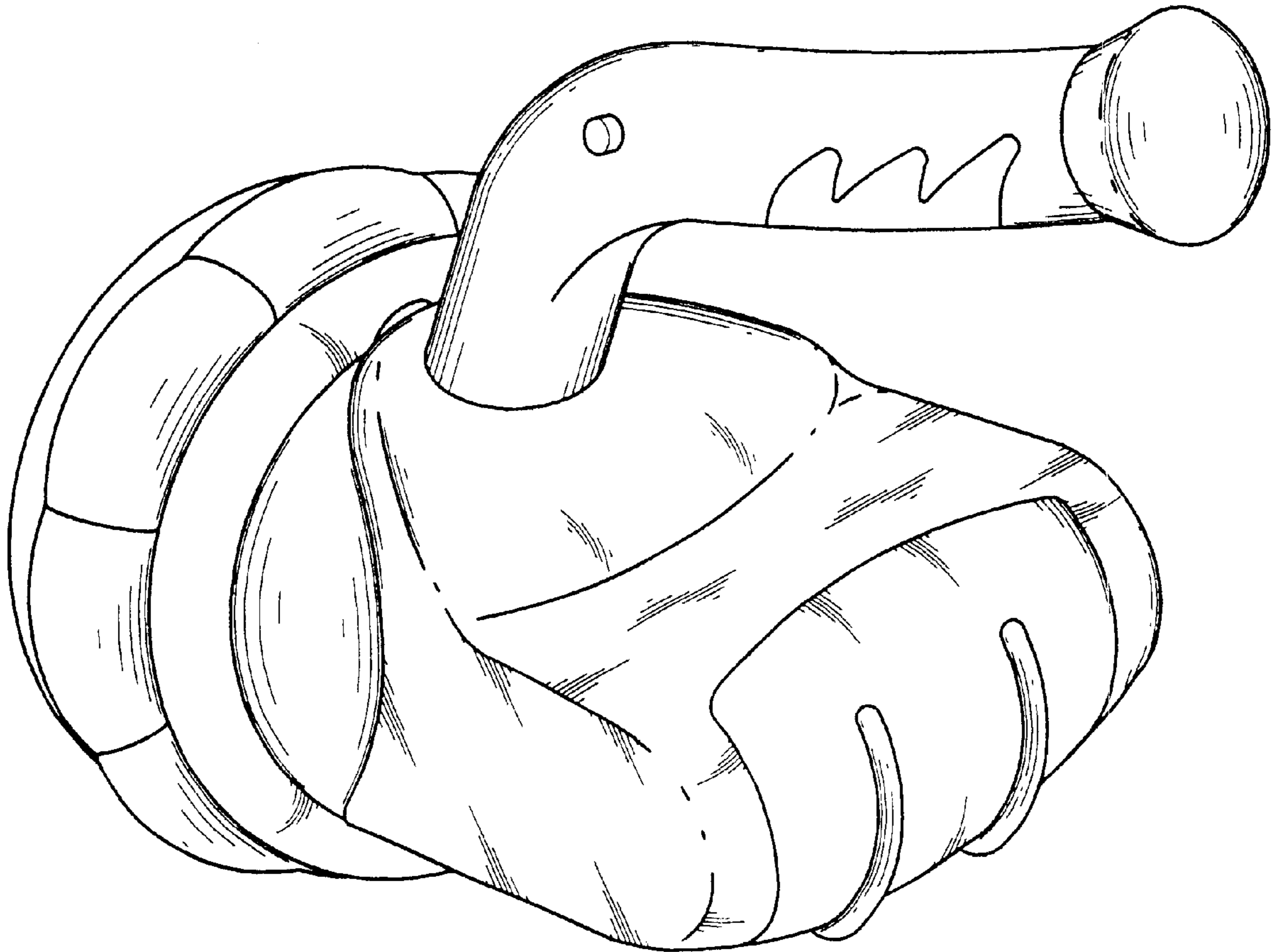


Fig. 1

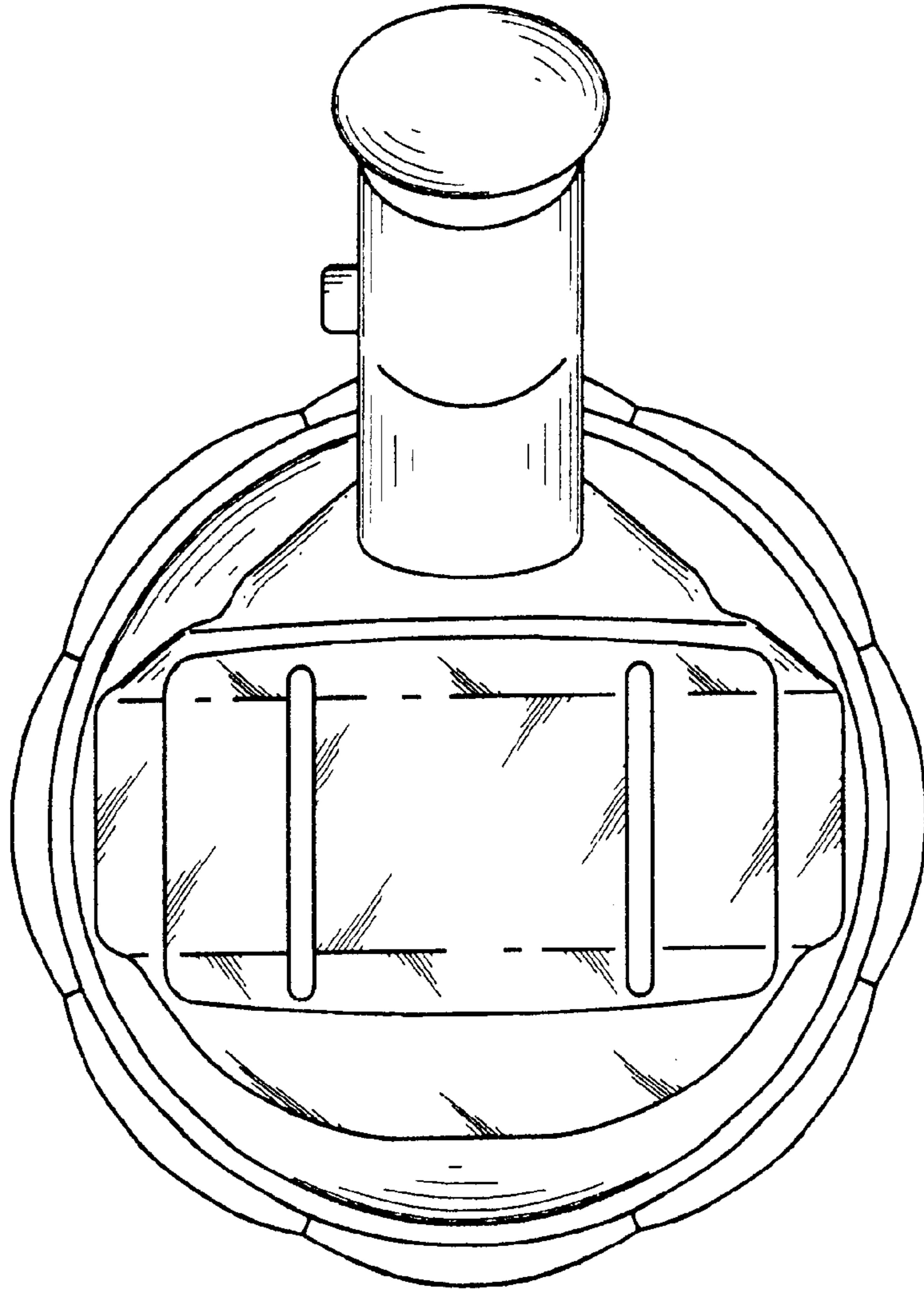


Fig. 2

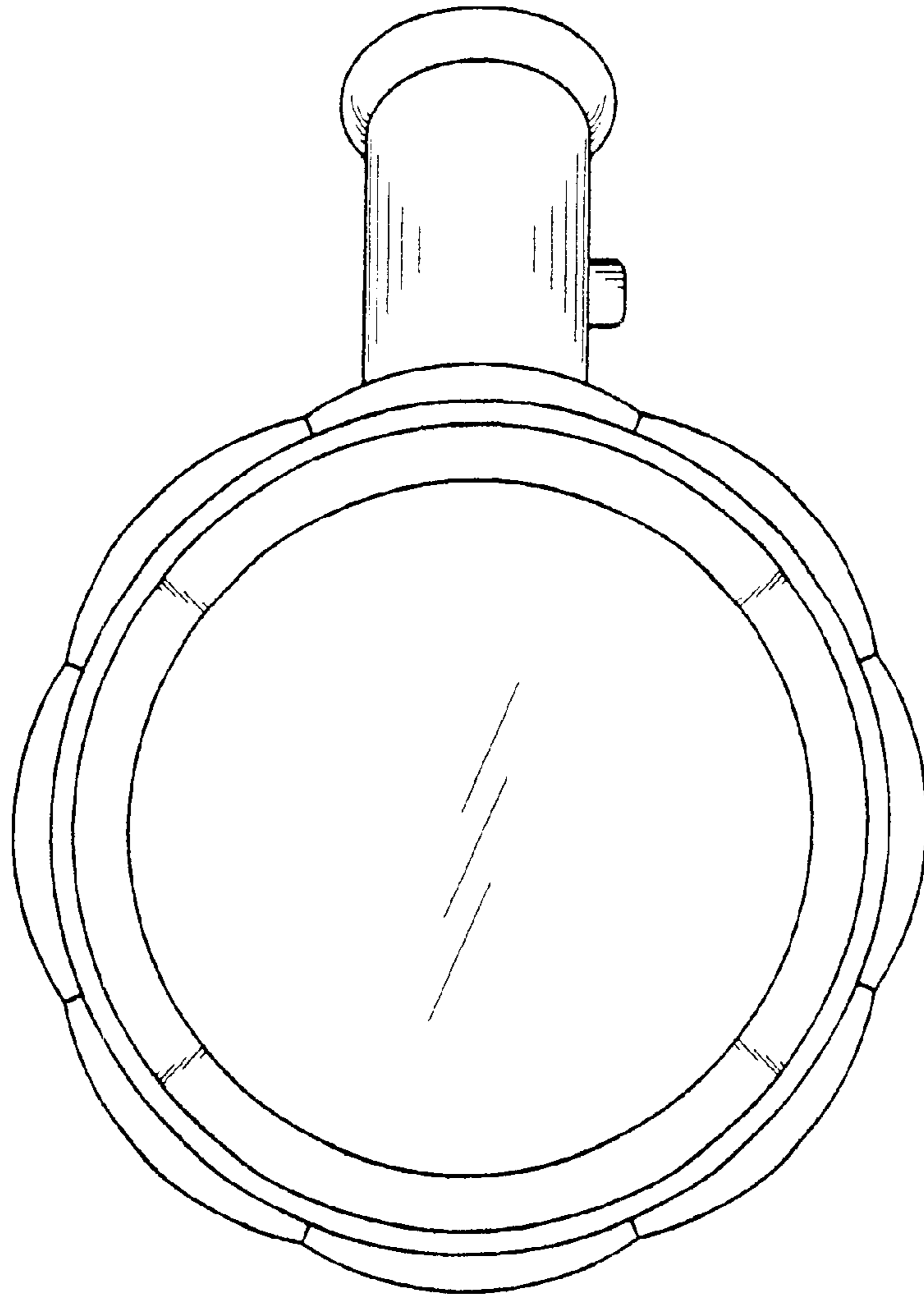


Fig. 3

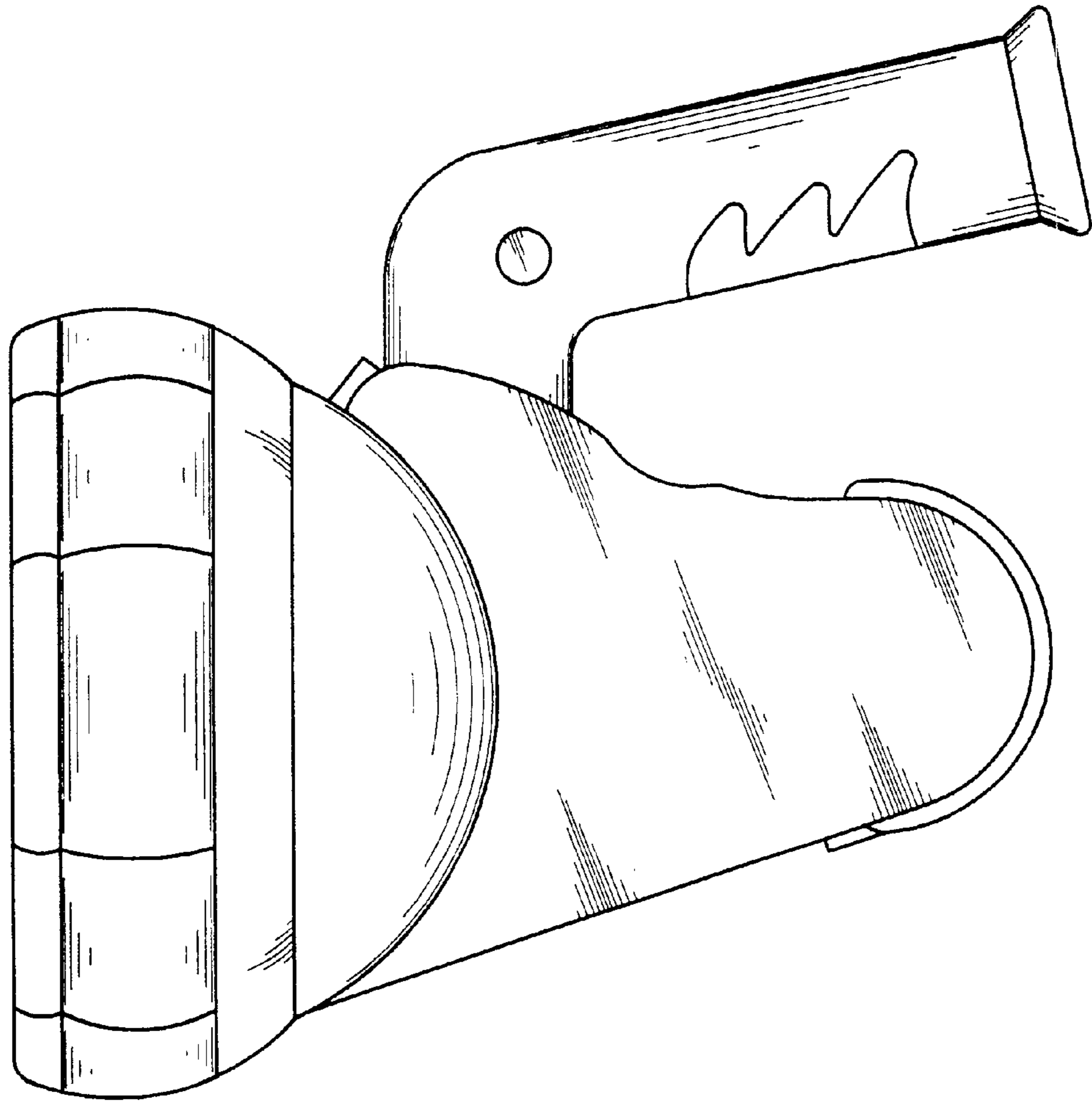


Fig. 4

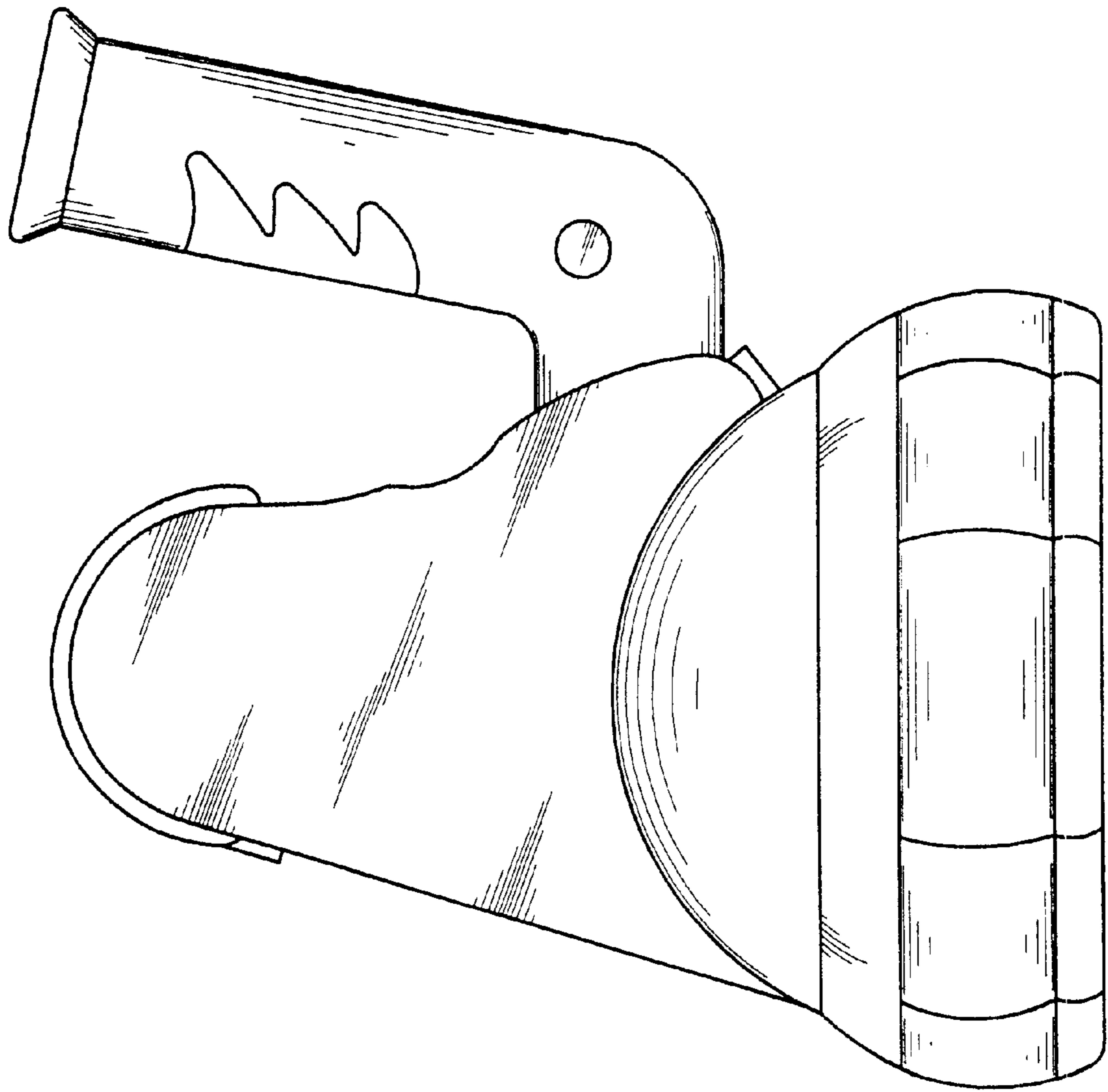


Fig. 5

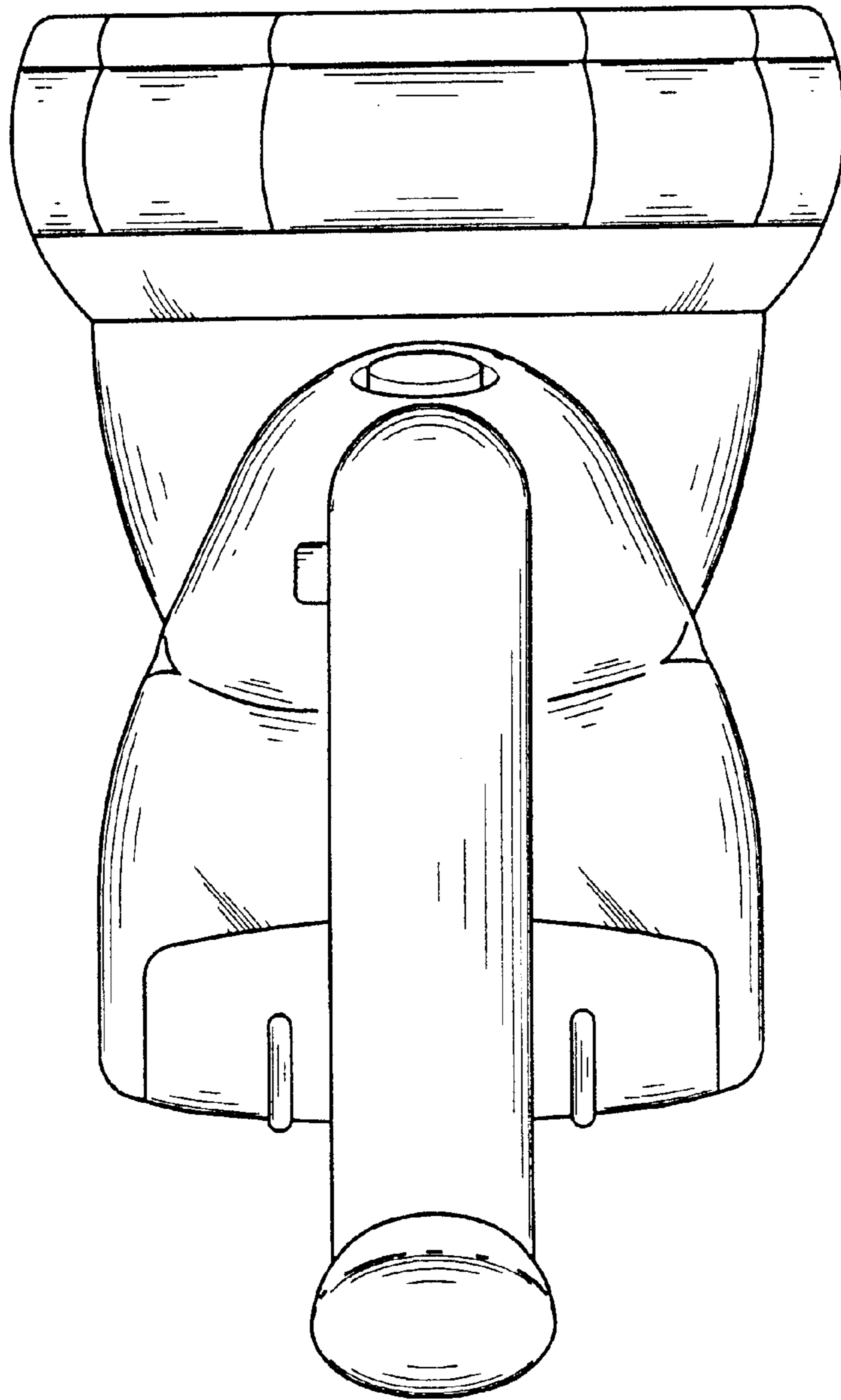


Fig. 6

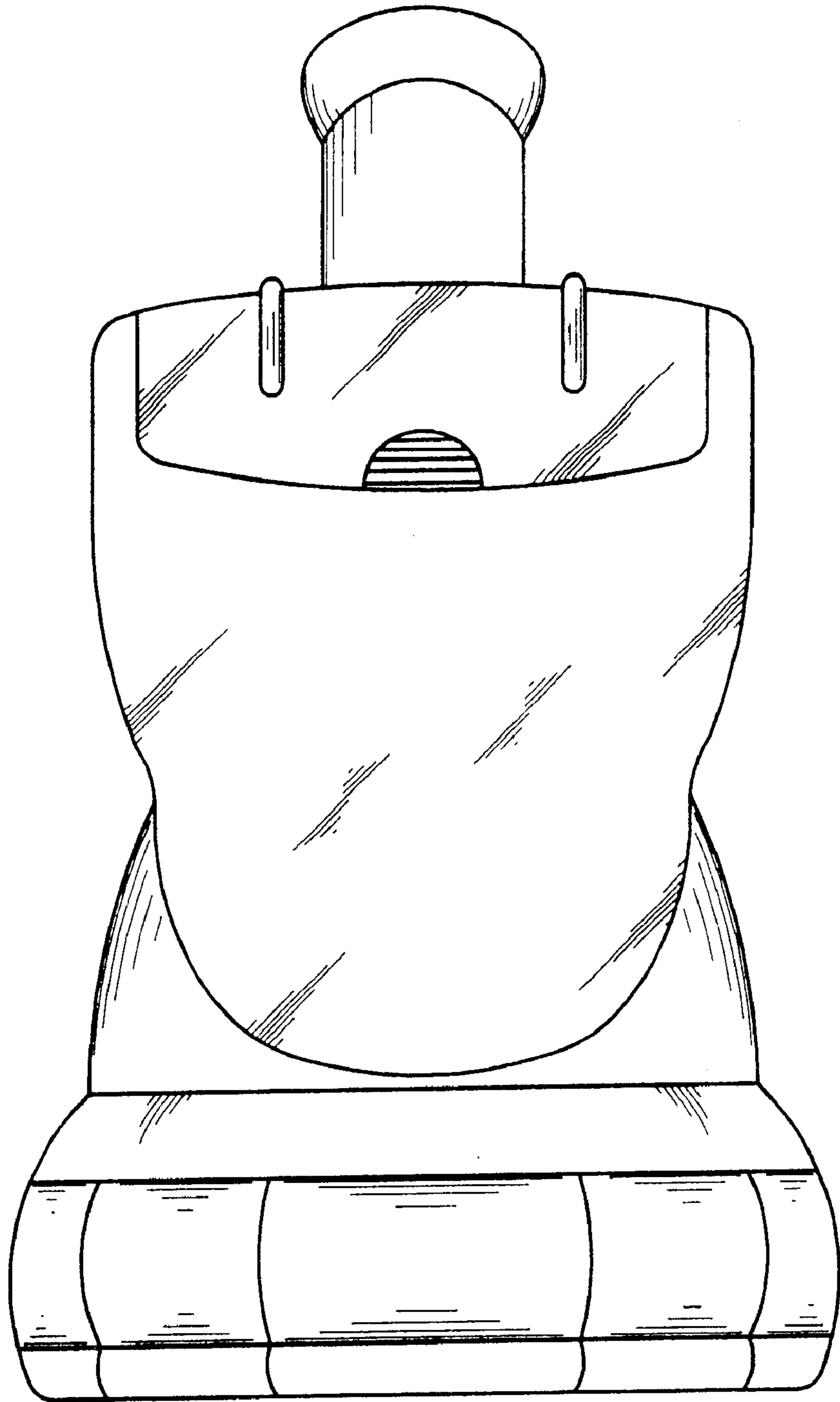


Fig. 7