



US00D482465S

(12) **United States Design Patent**  
**Slomowitz**

(10) **Patent No.:** **US D482,465 S**

(45) **Date of Patent:** **\*\* Nov. 18, 2003**

(54) **CONTAINER FOR A CANDLE**

(75) **Inventor:** **Noah Slomowitz, M.P. Gilboa (IL)**

(73) **Assignee:** **Etzion Candles Ltd. (IL)**

(\*\*) **Term:** **14 Years**

(21) **Appl. No.:** **29/163,972**

(22) **Filed:** **Jul. 15, 2002**

(51) **LOC (7) Cl.** ..... **26-01**

(52) **U.S. Cl.** ..... **D26/9; D26/11**

(58) **Field of Search** ..... **D26/9-11, 22,**  
**D26/23; 431/291; D7/510, 511**

(56) **References Cited**

**U.S. PATENT DOCUMENTS**

D397,460 S	*	8/1998	Chambers et al.	.....	D26/9
D410,096 S	*	5/1999	Majerowski	.....	D26/9
5,951,278 A	*	9/1999	Young et al.	.....	431/291
D417,018 S	*	11/1999	Soller	.....	D26/9
D422,101 S	*	3/2000	Barracrough et al.	.....	D26/9
D429,828 S	*	8/2000	Schultz et al.	.....	D26/9
D468,847 S	*	1/2003	Lee	.....	D26/9

\* cited by examiner

*Primary Examiner*—Robin V. Taylor

(74) *Attorney, Agent, or Firm*—Ren0ner, Otto, Boisselle & Sklar, LLP

(57) **CLAIM**

I claim the ornamental design for a container for a candle, as shown and described.

**DESCRIPTION**

FIG. 1 is a perspective view of a container for a candle of the present invention showing my new design;

FIG. 2 is a front elevational view of the container for a candle of FIG. 1, the left, right and rear views being the same as shown in FIG. 2;

FIG. 3 is a top plan view of the container for a candle of FIG. 1;

FIG. 4 is a bottom plan view of the container for a candle of FIG. 1;

FIG. 5 is a cross-sectional view of the container for a candle of FIG. 1, as viewed from the line 5—5 in FIG. 3.

FIG. 6 is a perspective view of a container for a candle showing a second embodiment of my new design;

FIG. 7 is a front elevational view of the container for a candle of FIG. 6, the left, right and rear views being the same as shown in FIG. 7;

FIG. 8 is a top plan view of the container for a candle of FIG. 6;

FIG. 9 is a bottom plan view of the container for a candle of FIG. 6;

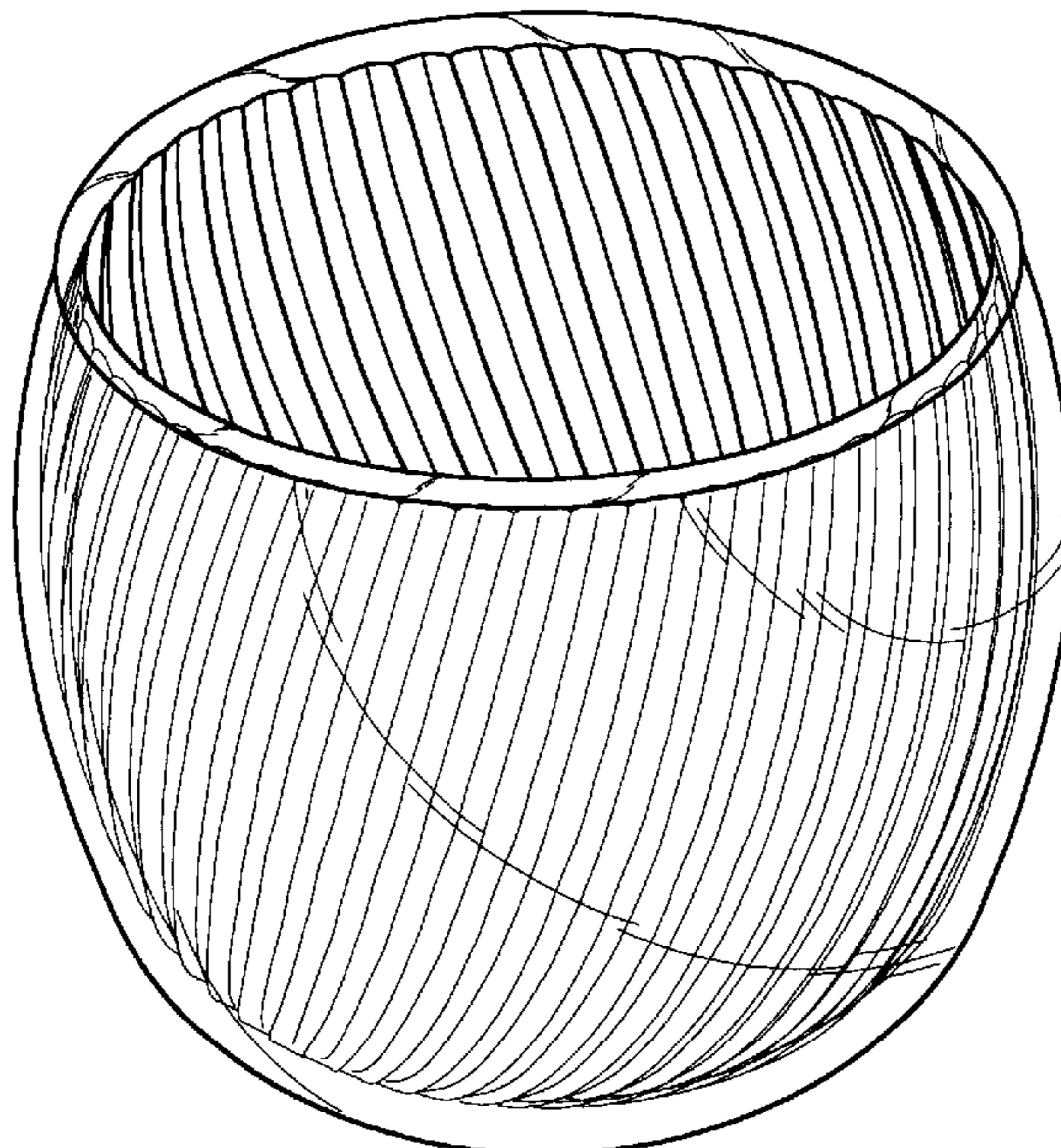
FIG. 10 is a cross-sectional view of the container for a candle of FIG. 6, as viewed from the line 10—10 in FIG. 8;

FIG. 11 is a front elevational view of the container for a candle of FIG. 1, showing a candle in the container, the left, right and rear views being the same as shown in FIG. 11; and,

FIG. 12 is a top plan view of the container for a candle of FIG. 1, showing a candle in the container.

The dashed lines showing the candle are for illustrative purposes only and form no part of the claimed design.

**1 Claim, 5 Drawing Sheets**



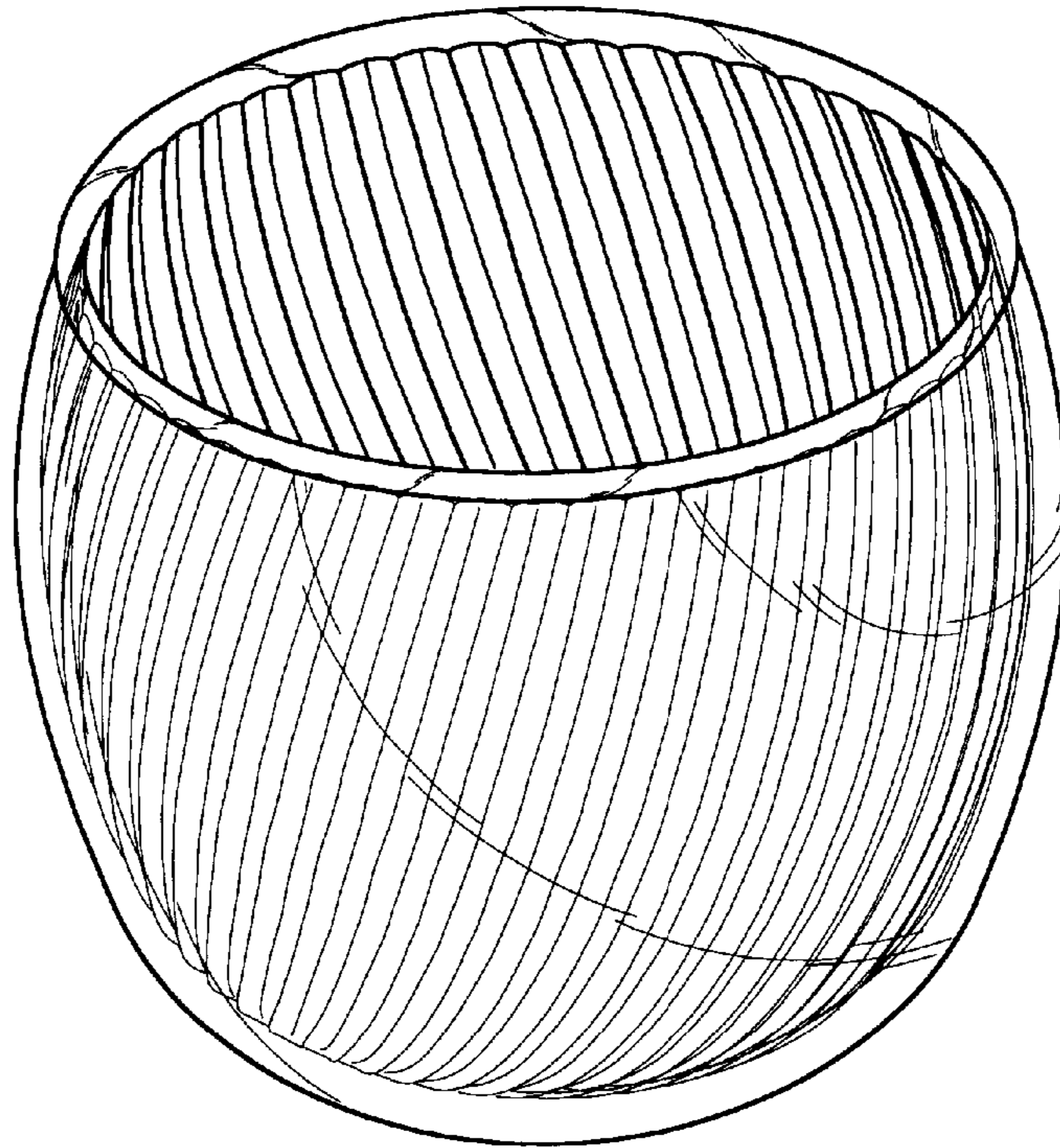


Fig.1

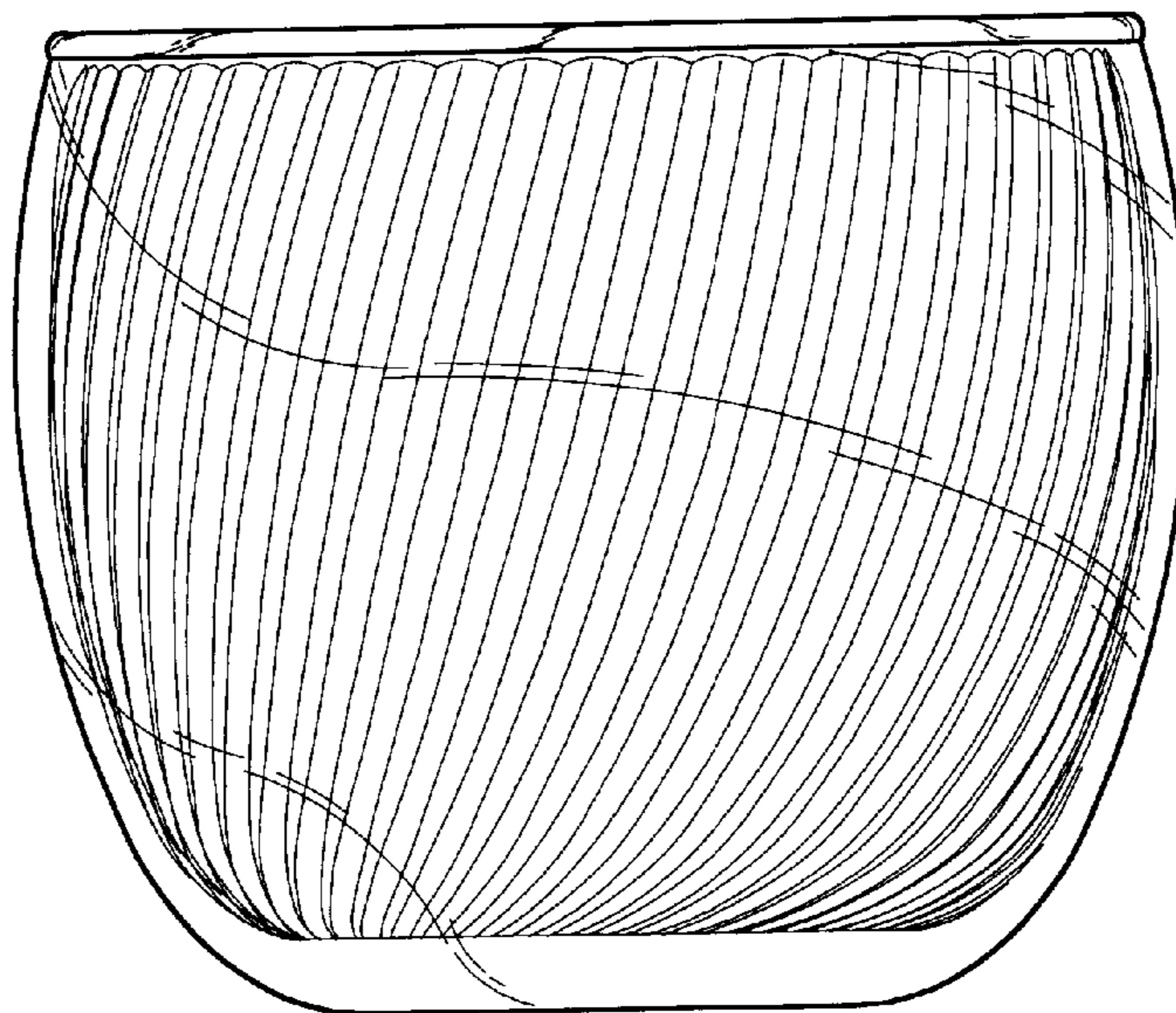


Fig.2

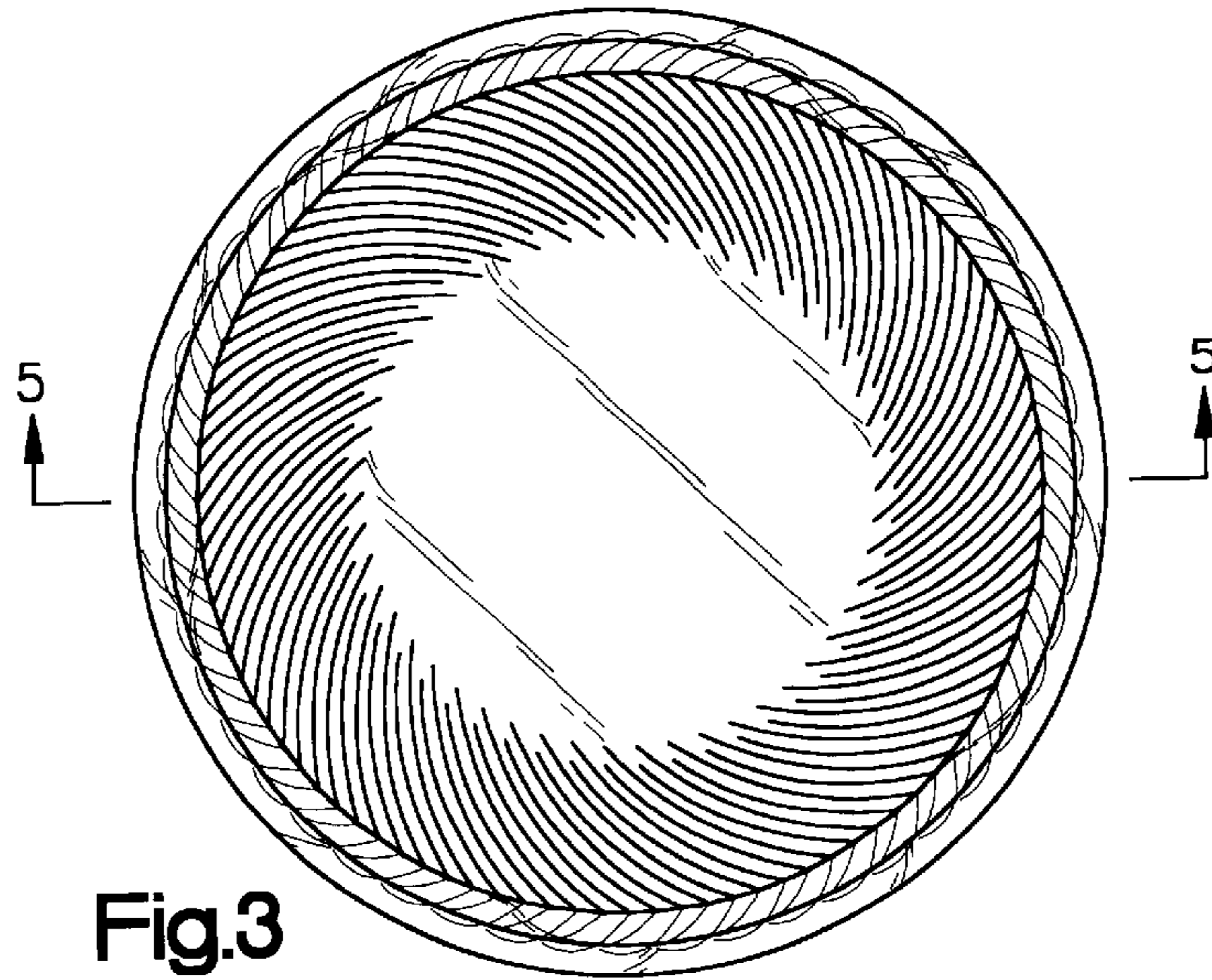


Fig.3

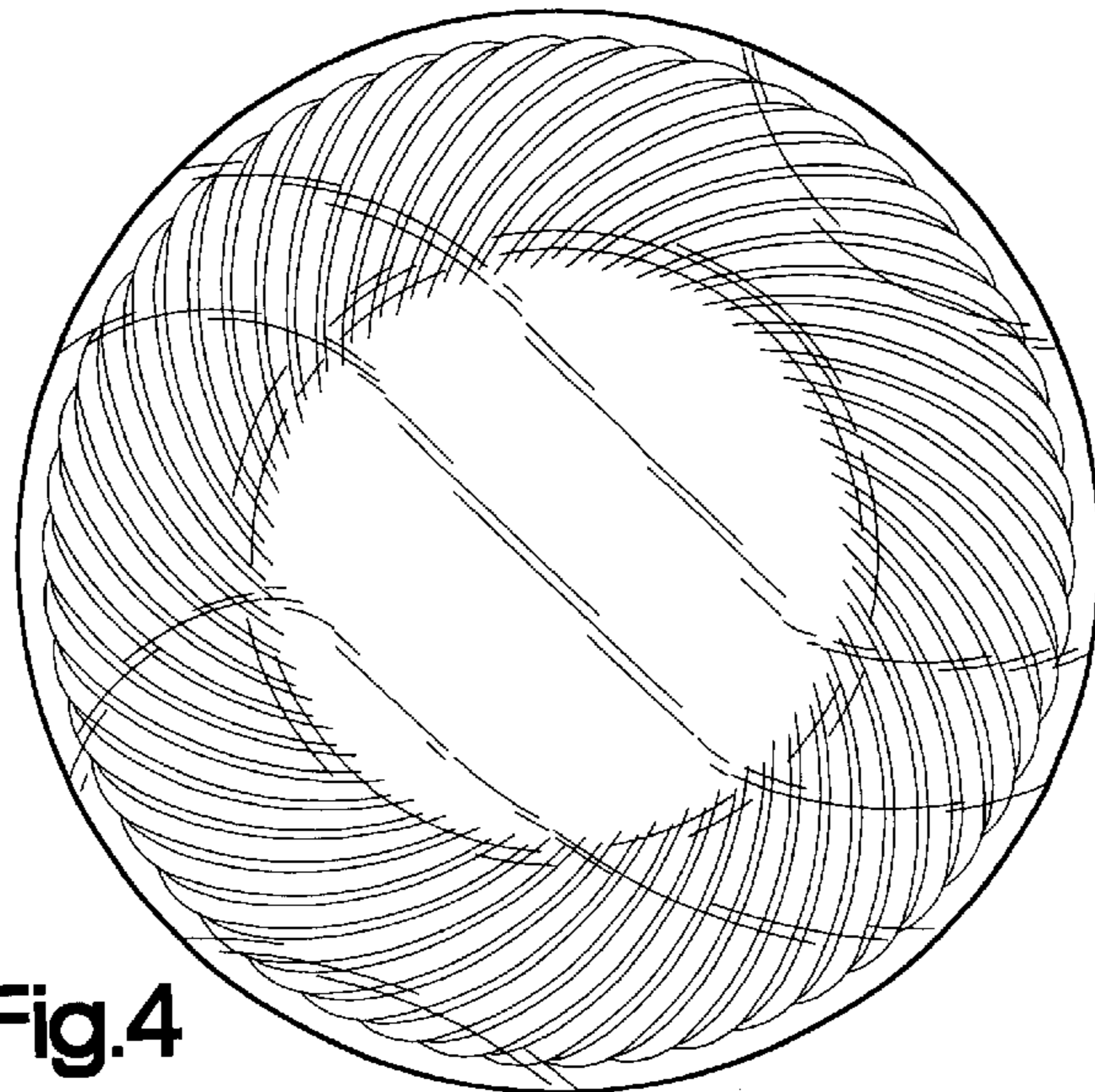


Fig.4

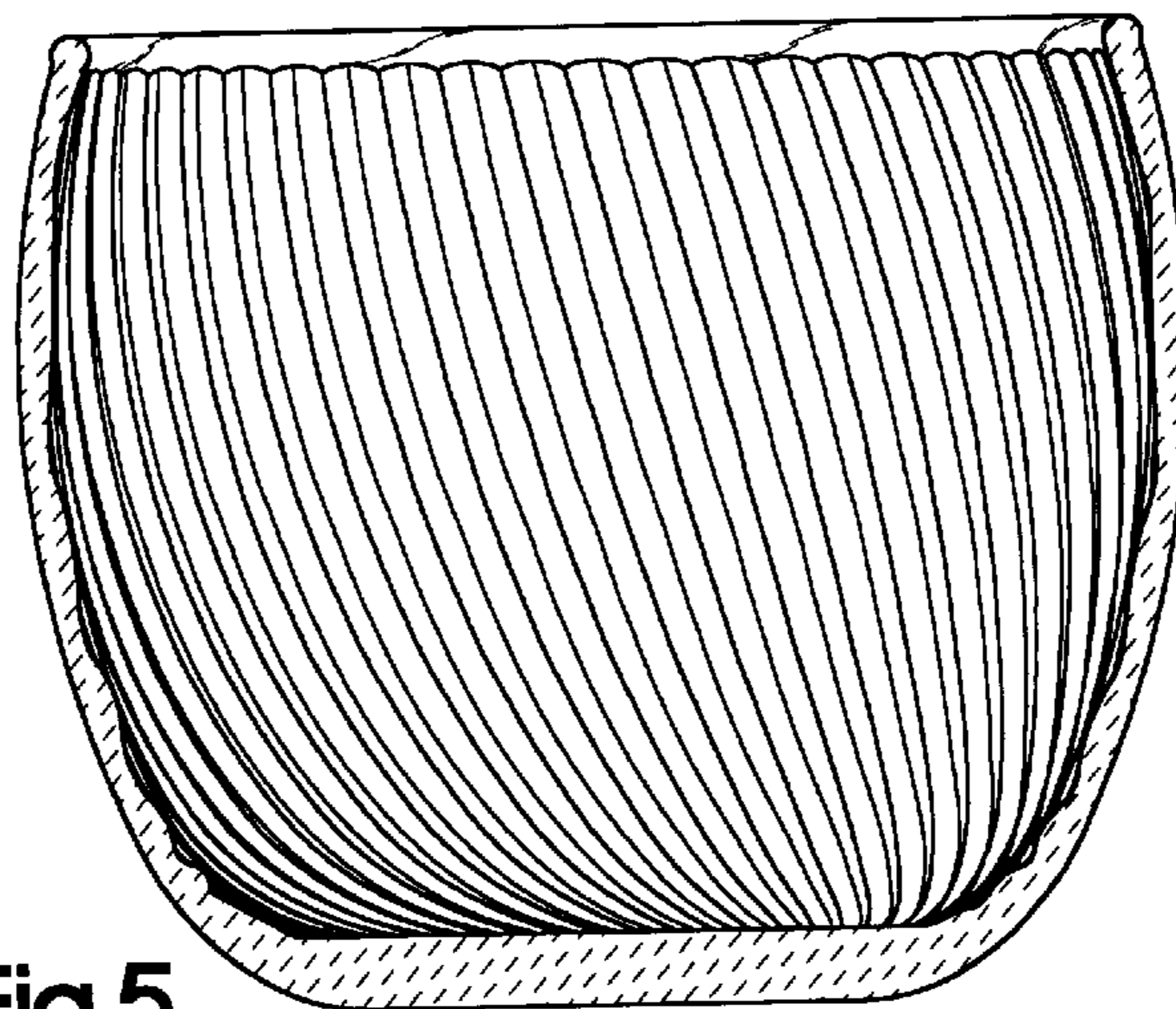


Fig.5

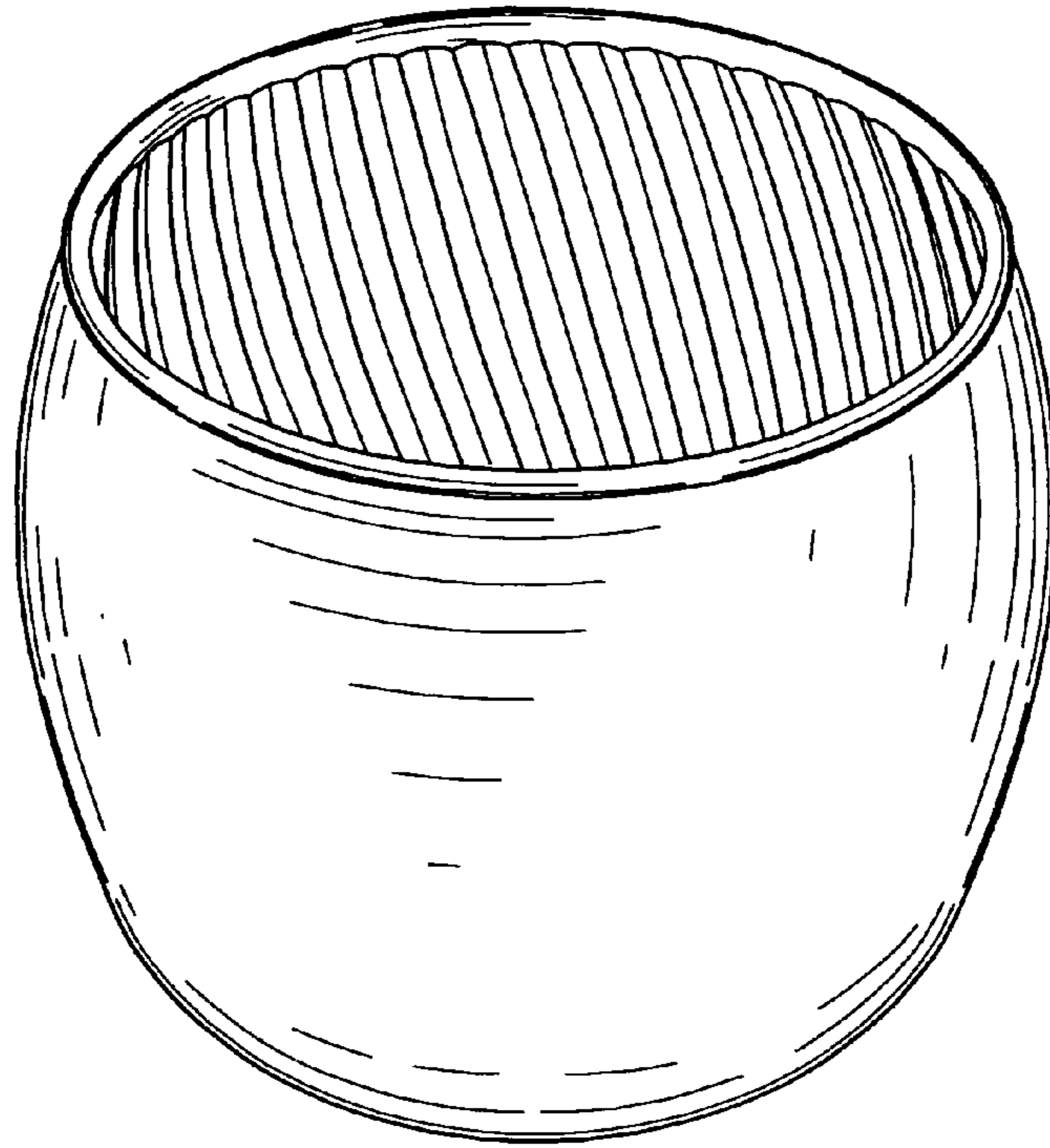


Fig.6

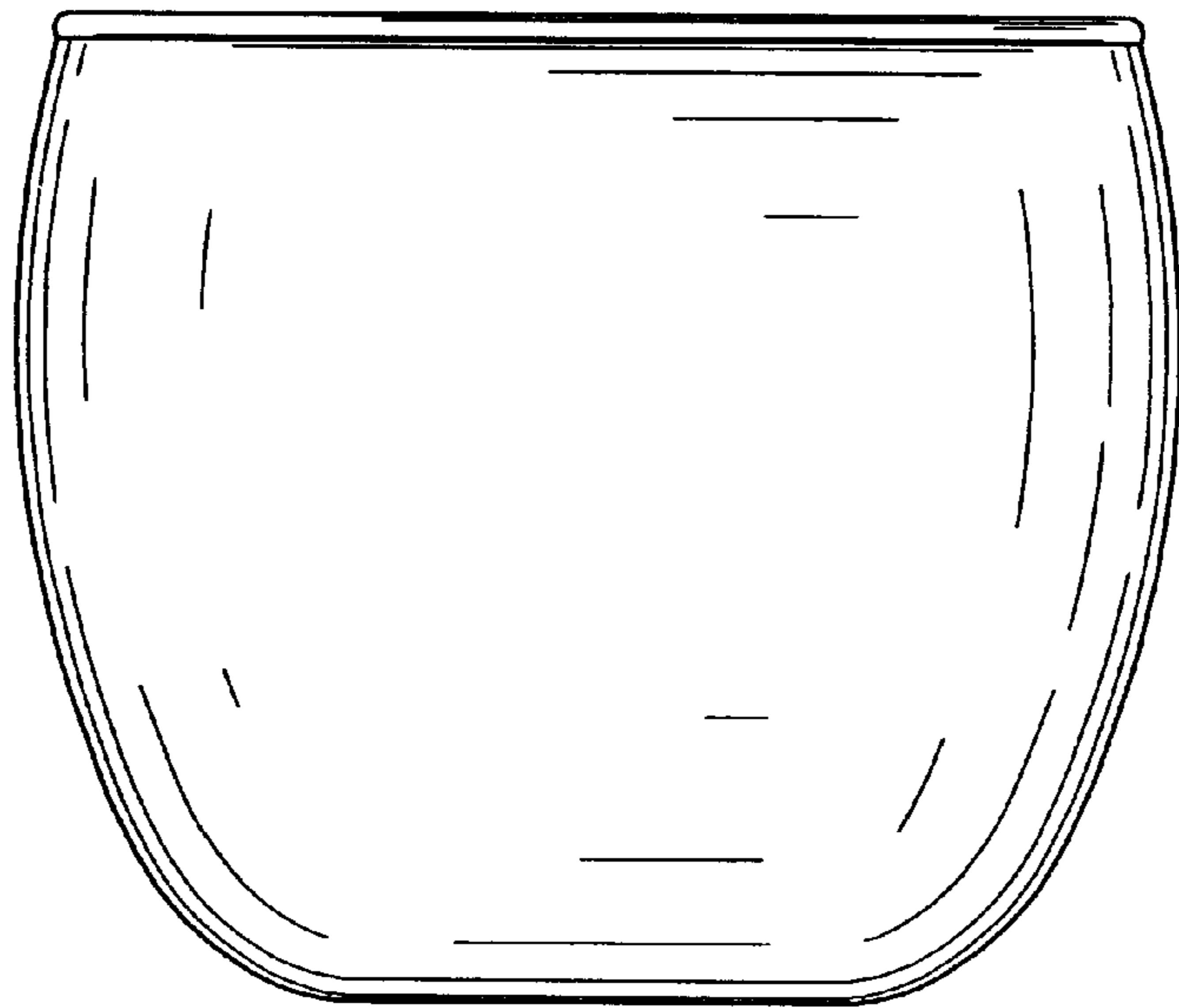
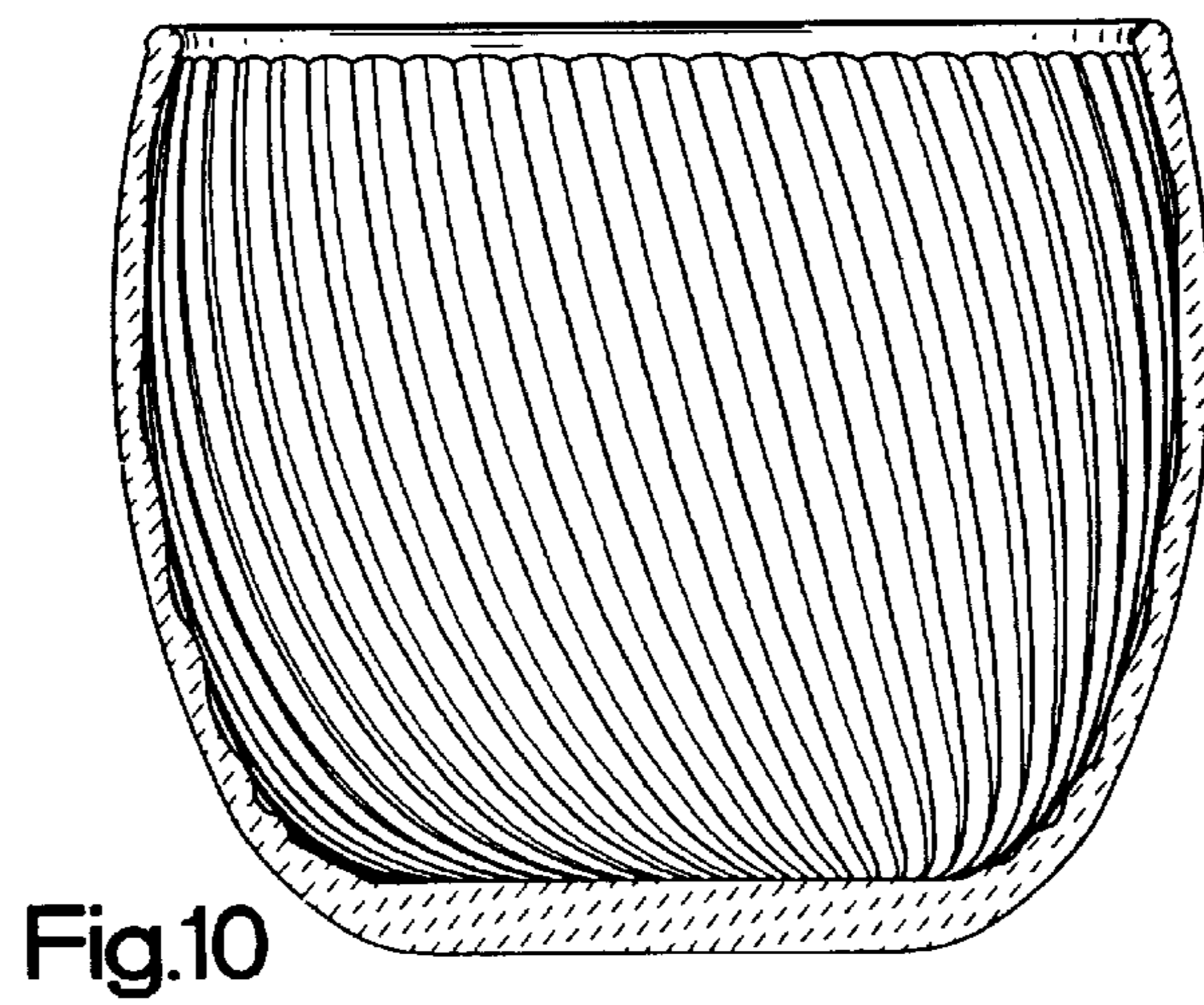
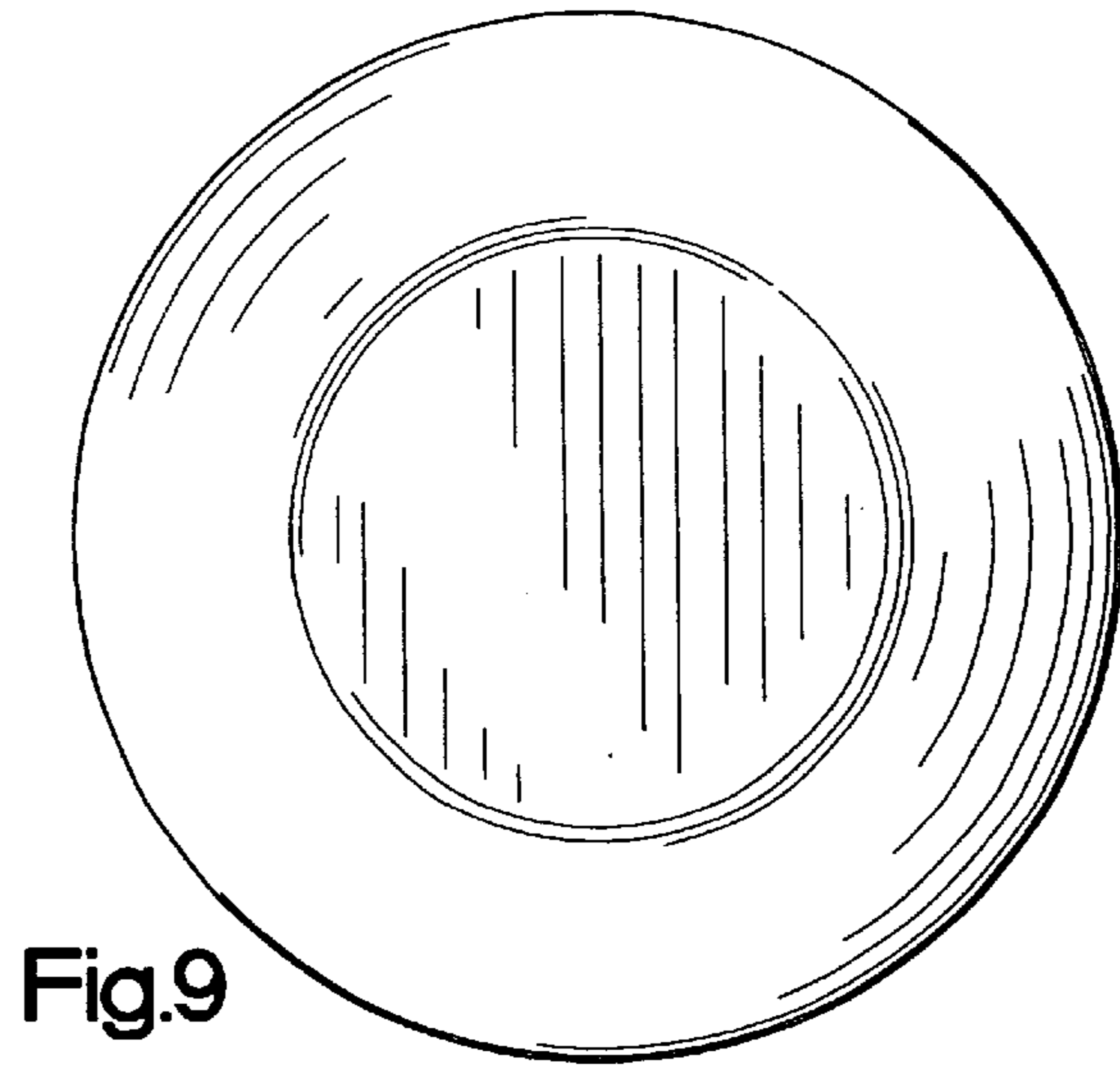
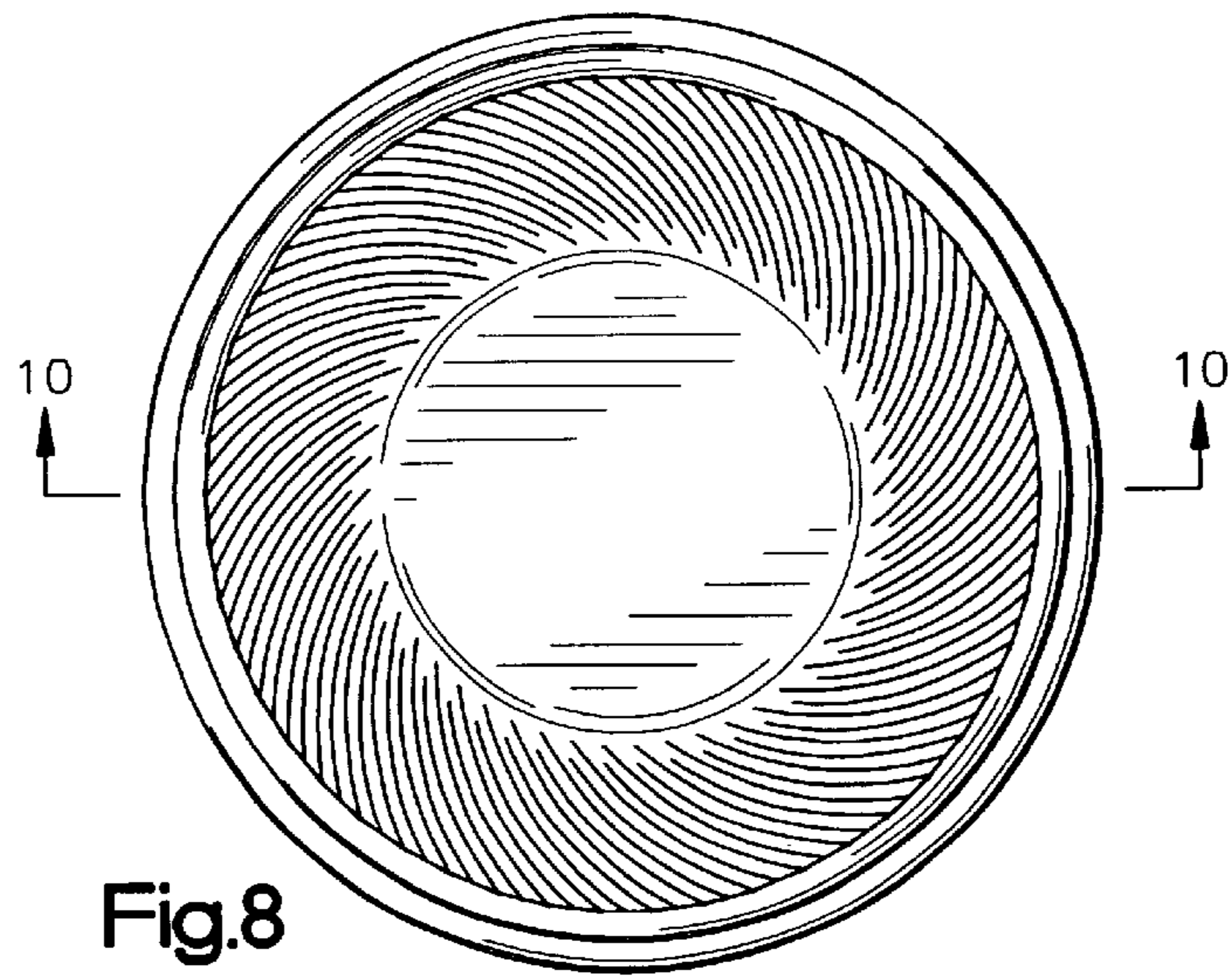
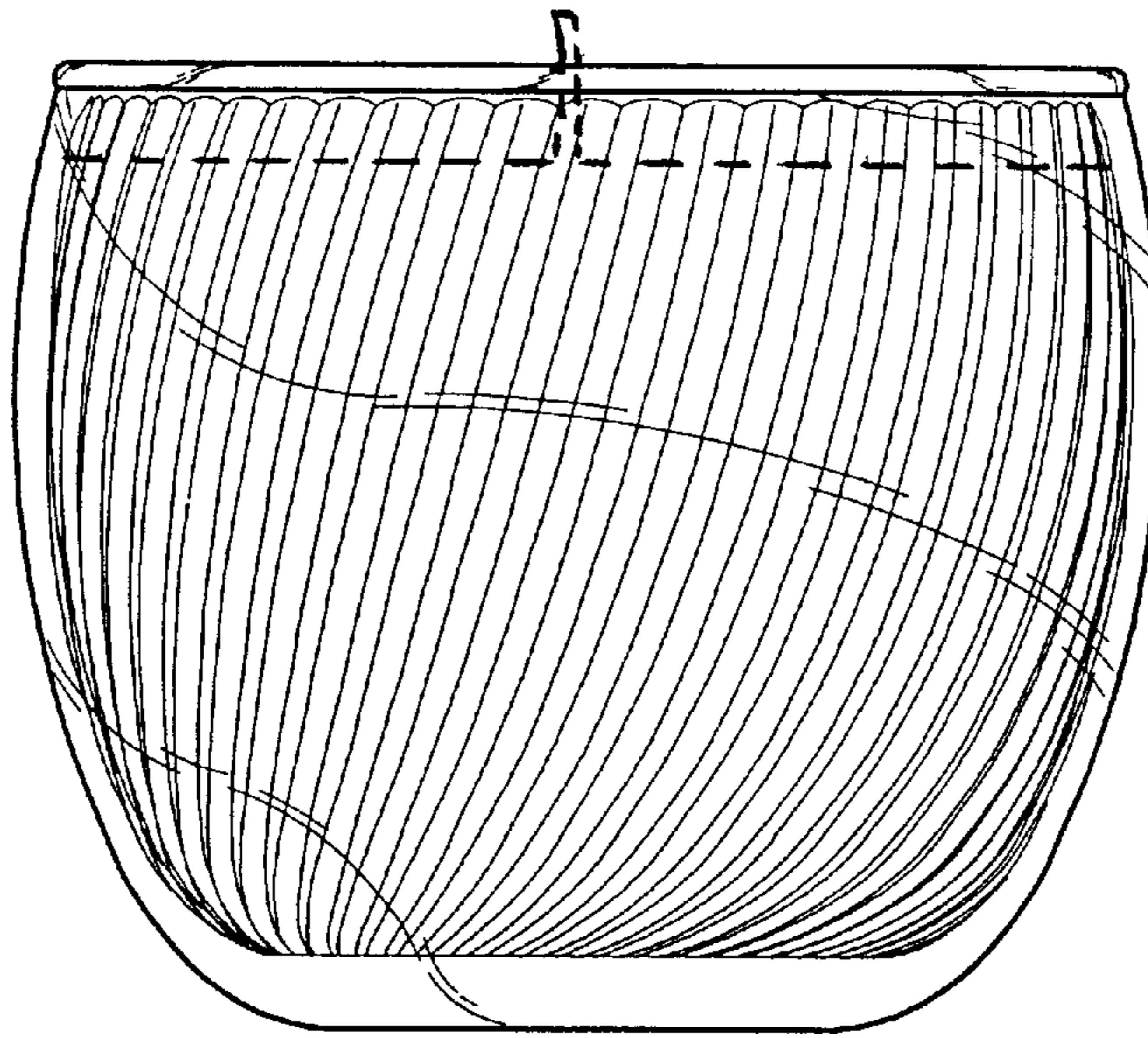
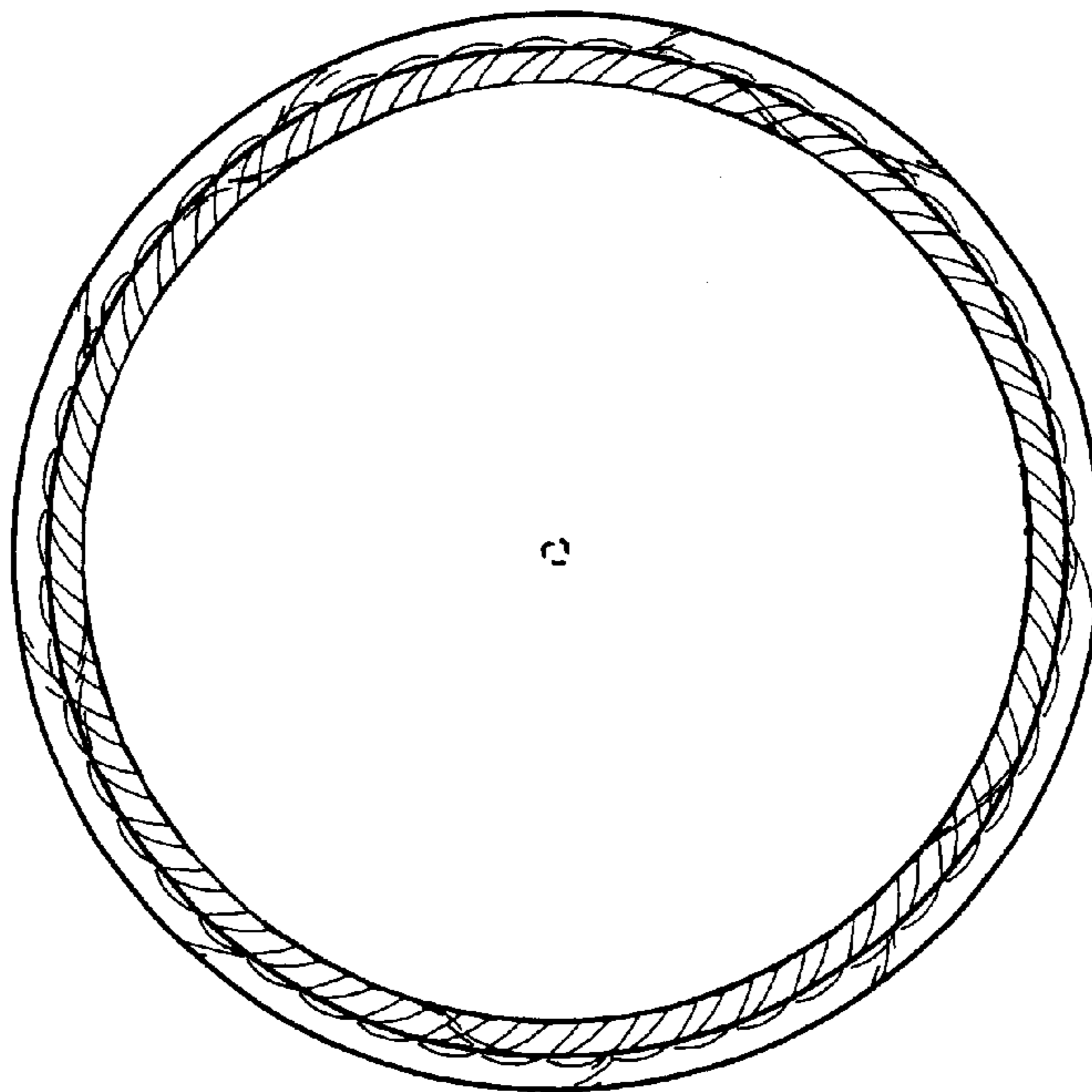


Fig.7





**Fig.11**



**Fig.12**