



US00D482464S

(12) **United States Design Patent**
Baldo et al.

(10) **Patent No.:** **US D482,464 S**

(45) **Date of Patent:** **** Nov. 18, 2003**

(54) **ADAPTOR FOR A CIRCULAR
FLUORESCENT LAMP**

D461,261 S * 8/2002 Zhou D26/3

* cited by examiner

(75) Inventors: **Lorenzo Baldo**, Giavera del Montello
(IT); **Moreno Marton**, Mogliano
Veneto (IT)

Primary Examiner—Marcus A. Jackson
(74) *Attorney, Agent, or Firm*—Carlo S. Bessone

(73) Assignee: **Osram GmbH**, Munich (DE)

(57) **CLAIM**

(**) Term: **14 Years**

The ornamental design of an adaptor for a circular fluores-
cent lamp, as shown and described.

(21) Appl. No.: **29/172,877**

DESCRIPTION

(22) Filed: **Dec. 18, 2002**

FIG. 1 is a top perspective view of the adaptor with inserted
circular fluorescent lamp;

(51) **LOC (7) Cl.** **26-04**

(52) **U.S. Cl.** **D26/3**

FIG. 2 is a back perspective view of the adaptor with inserted
circular fluorescent lamp;

(58) **Field of Search** D26/1, 2, 3; 313/313,
313/315, 317, 318, 493, 644; 315/53, 54,
56, 57, 58, 62, 65, 75

FIG. 3. is a top view thereof;

FIG. 4 is a back view thereof;

FIG. 5 is a front view thereof;

FIG. 6 is a side view of the adaptor with the lamp of FIG.
5, rotated 90°; and,

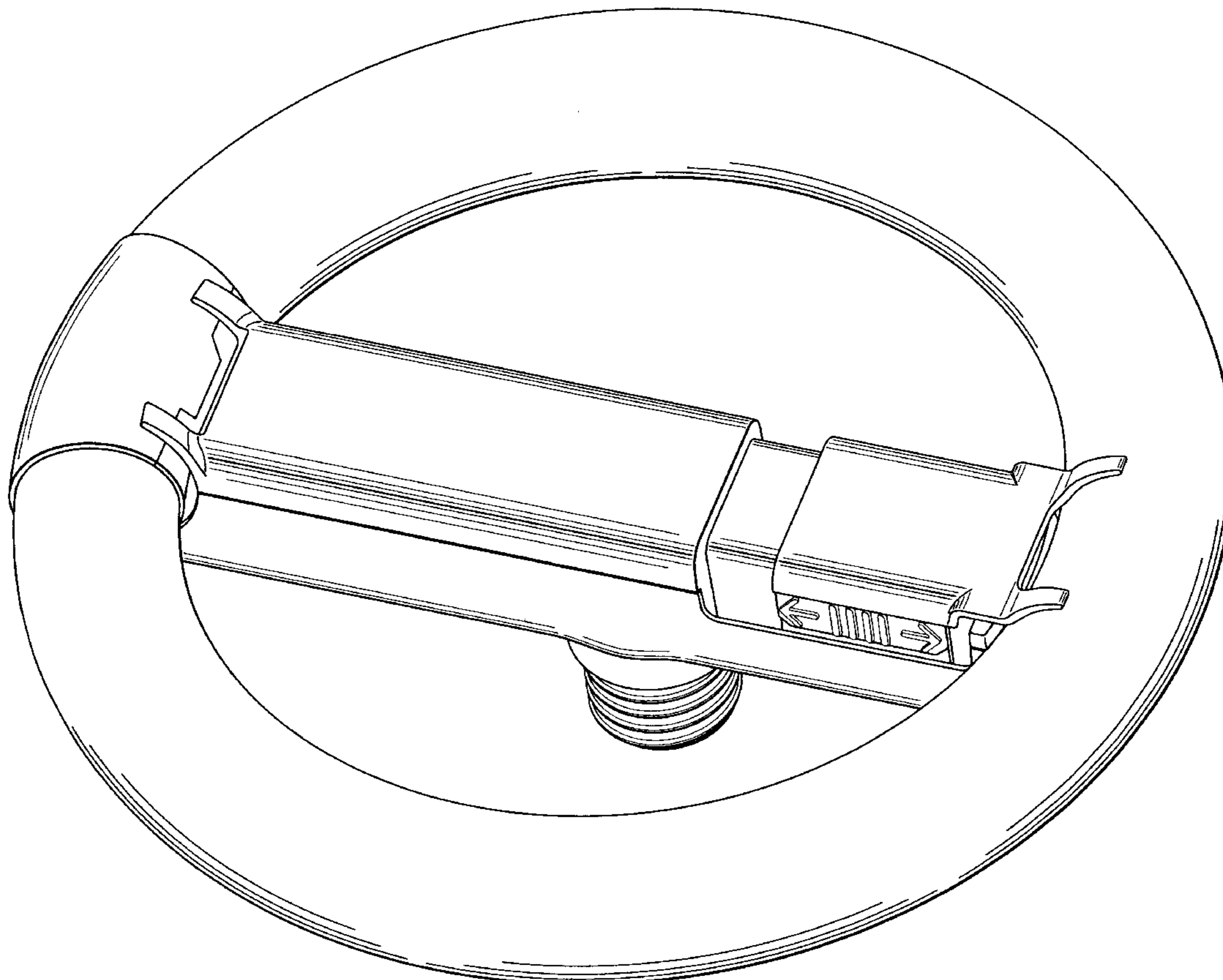
FIG. 7 is a front perspective view of the adaptor and of the
lamp in non-inserted condition.

(56) **References Cited**

U.S. PATENT DOCUMENTS

D362,733 S * 9/1995 Murata D26/3

1 Claim, 6 Drawing Sheets



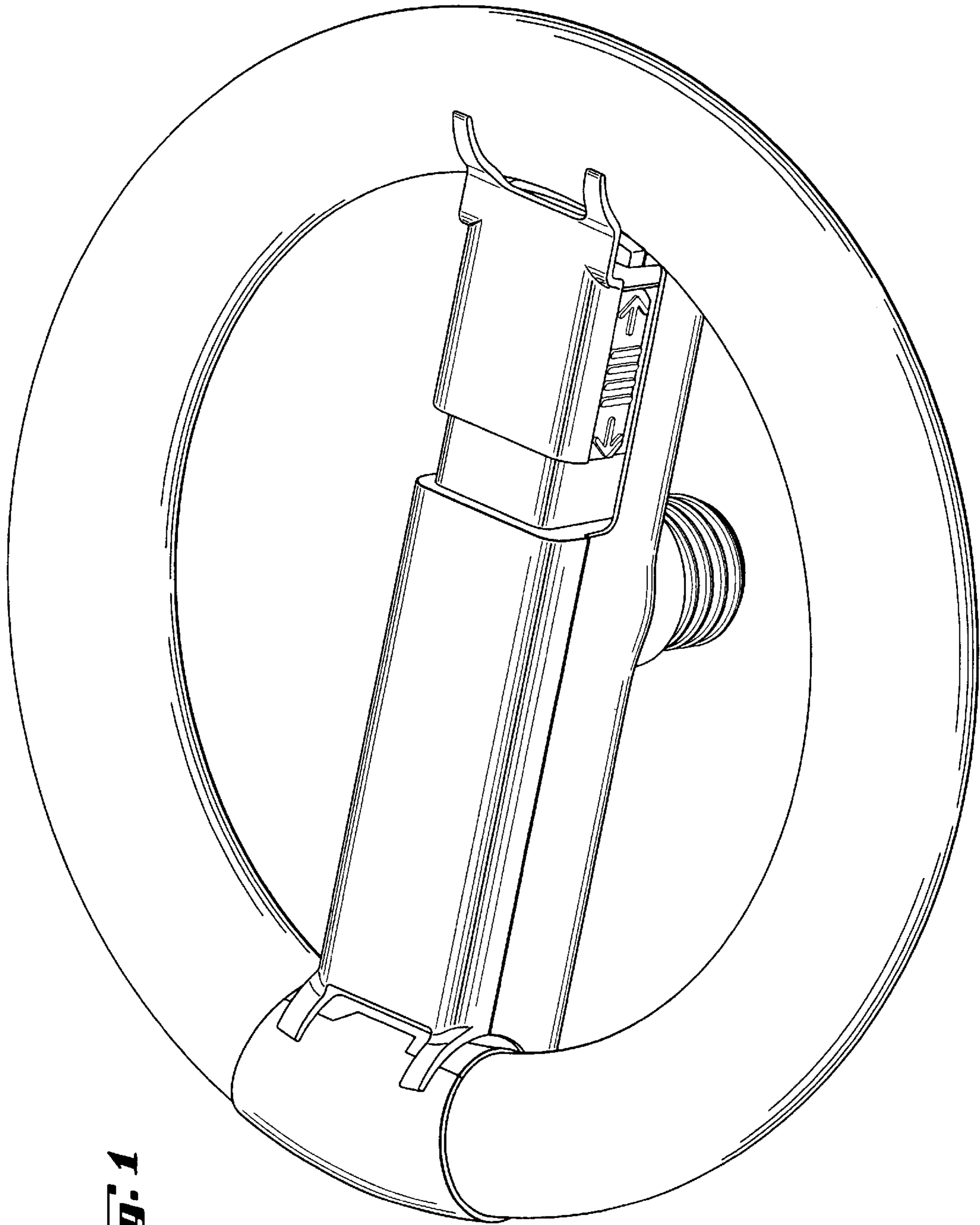


FIG. 1

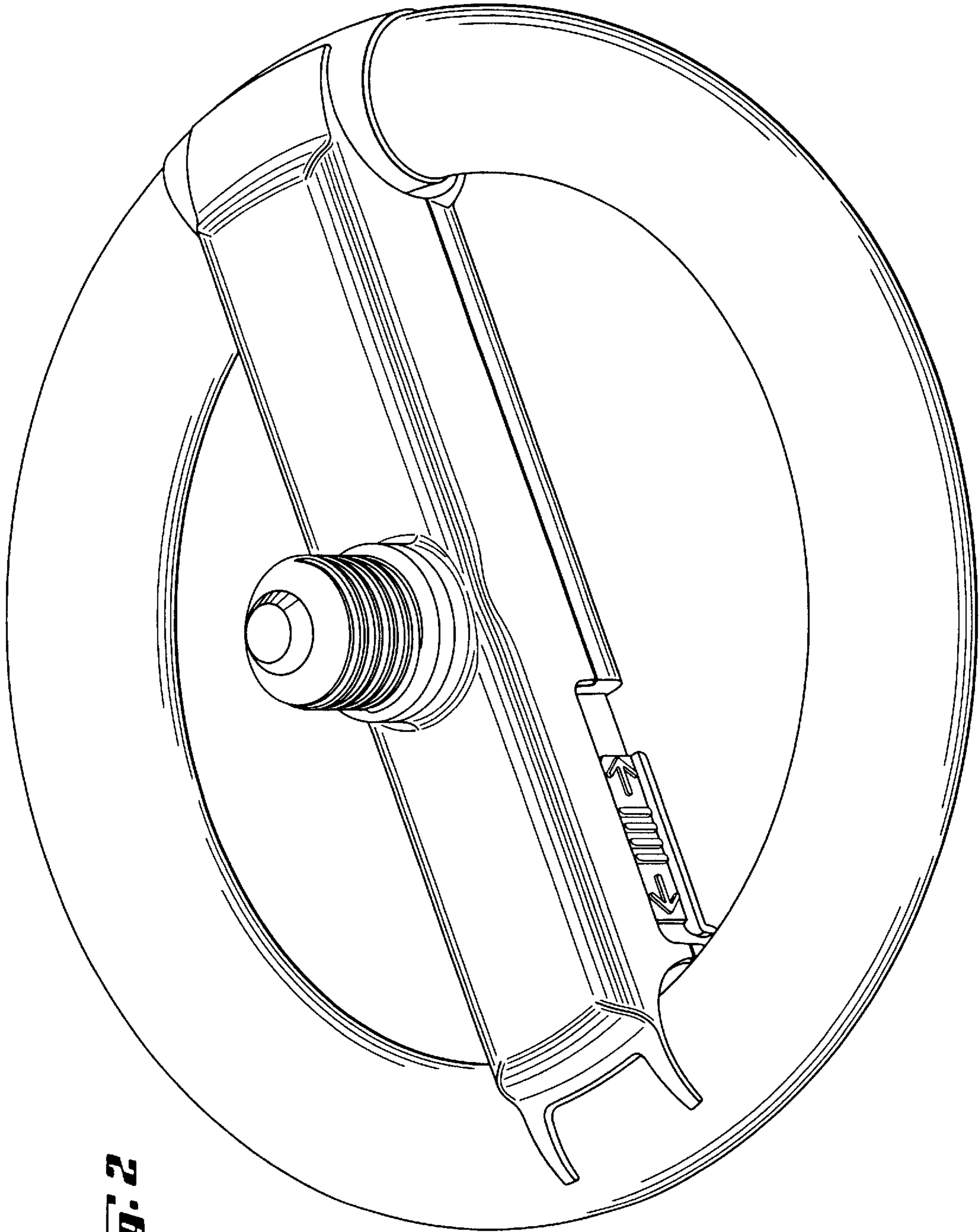


Fig. 2

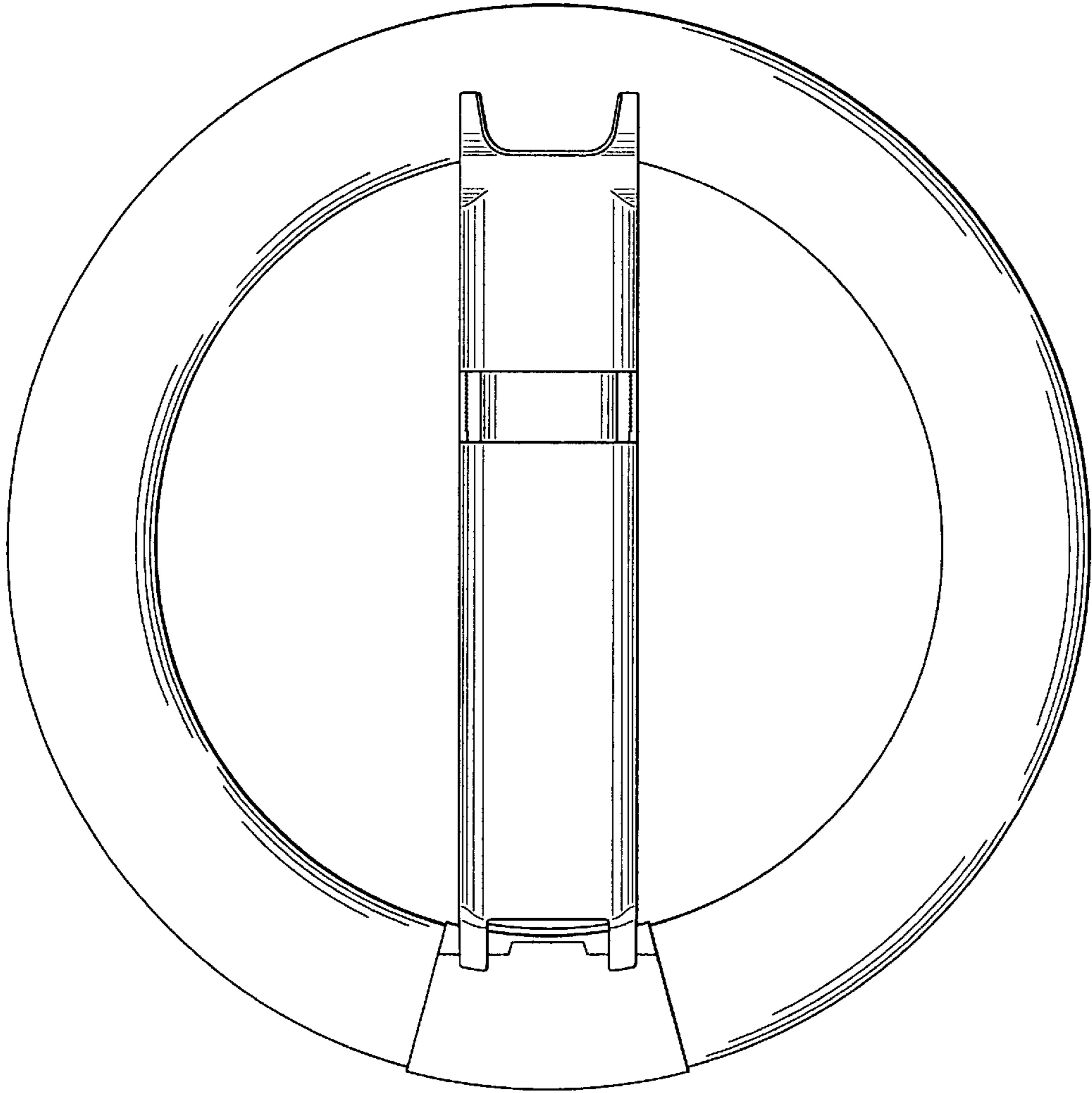


Fig. 3

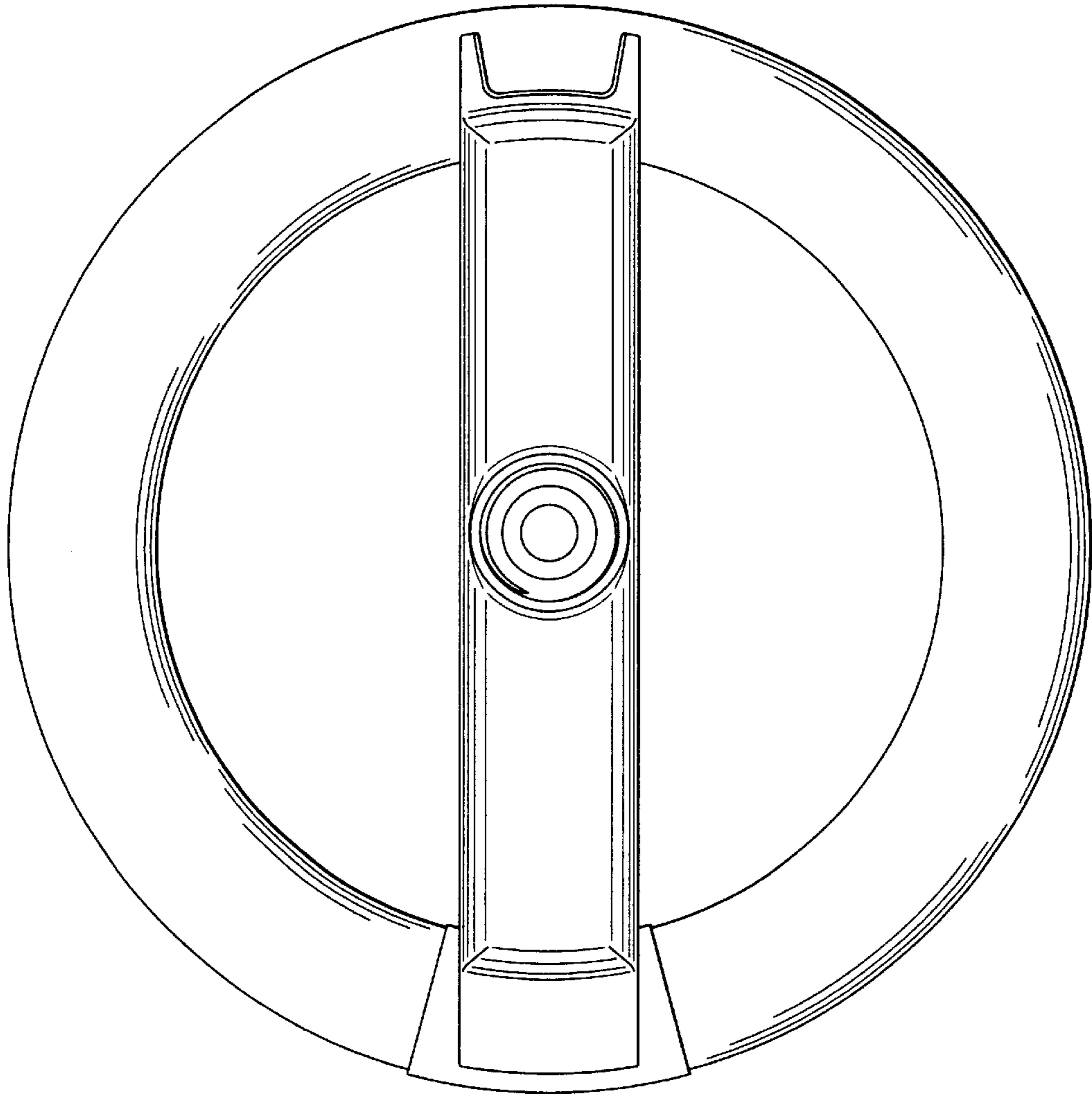
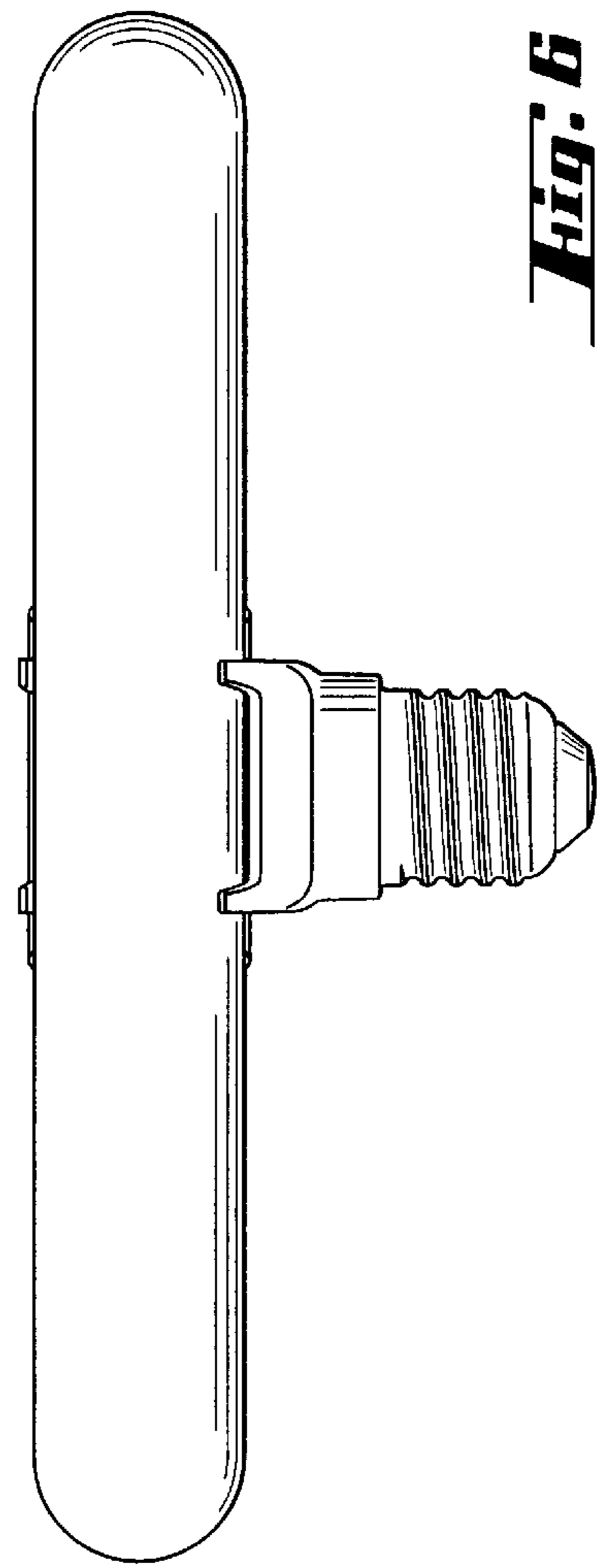
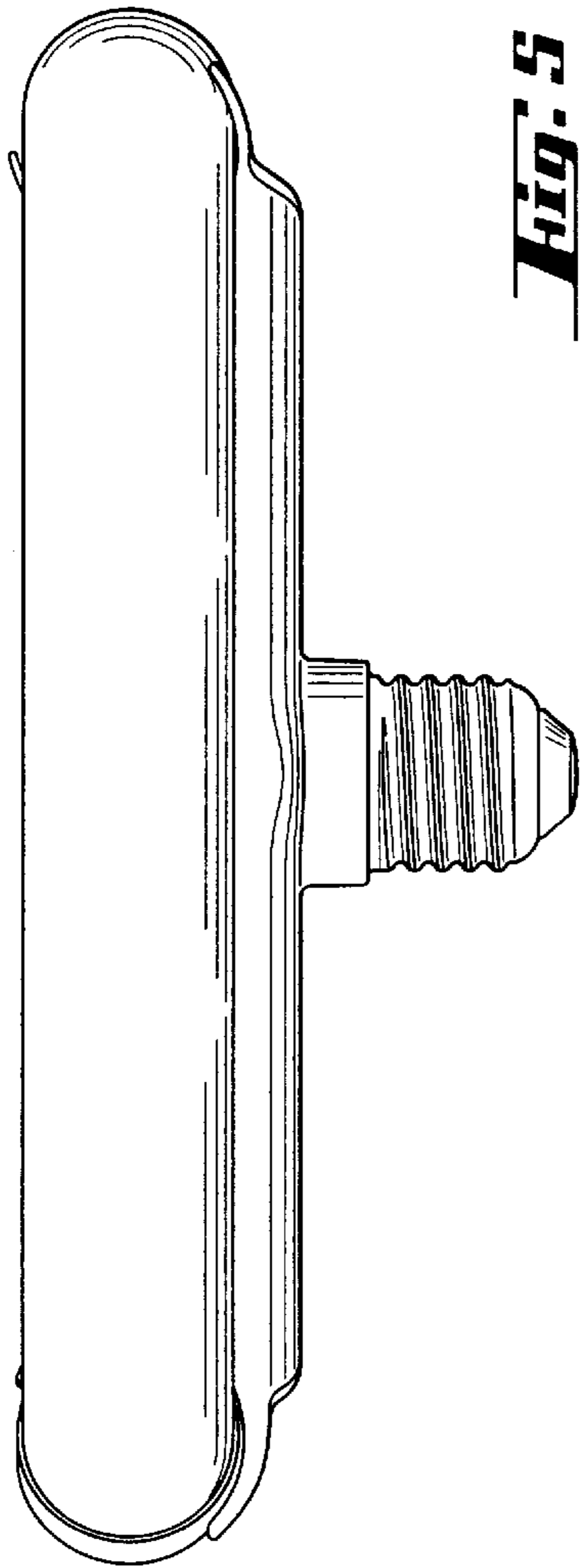


Fig. 4



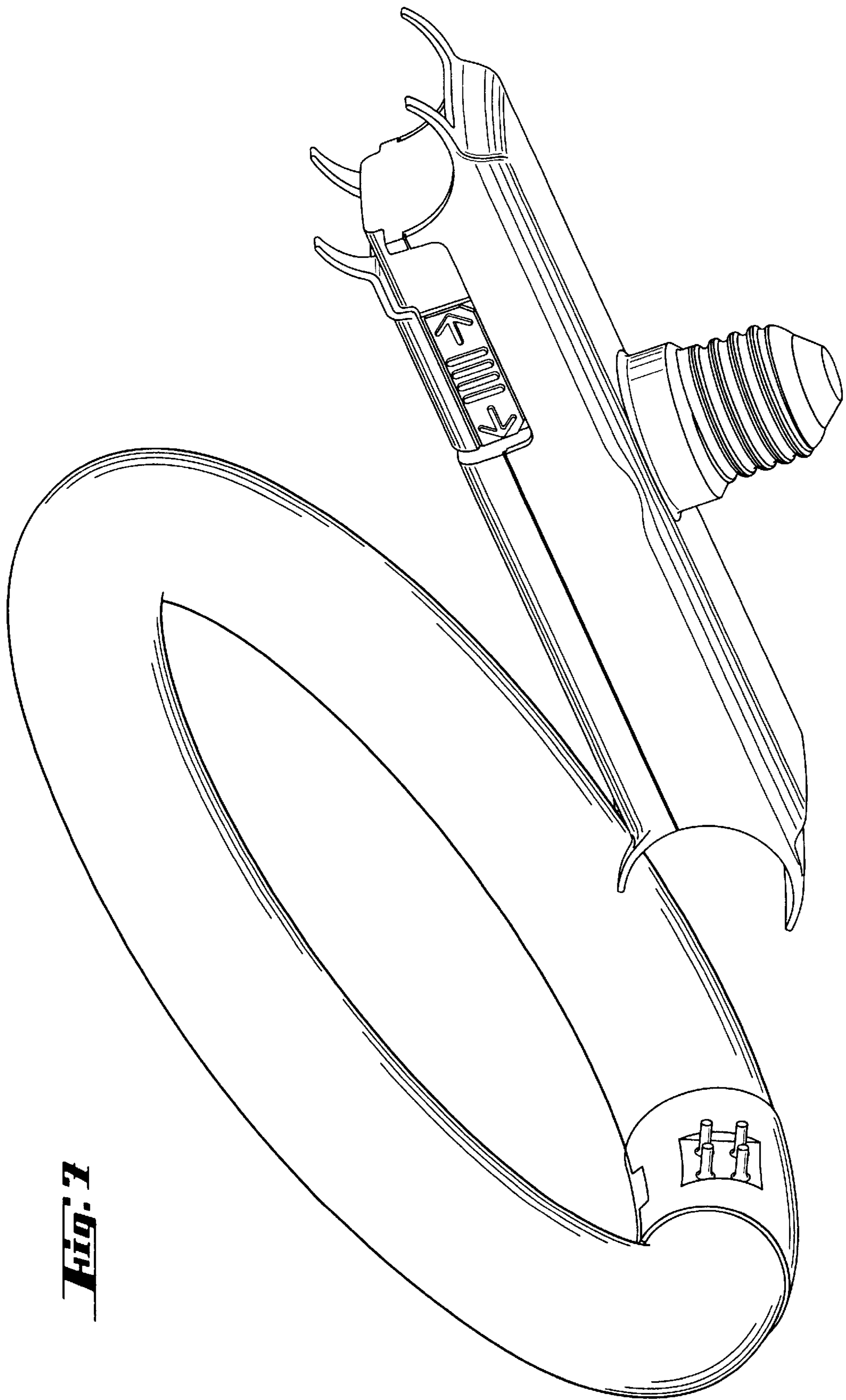


Fig. 7