



US00D482463S

(12) **United States Design Patent**  
**Dinan**

(10) **Patent No.:** **US D482,463 S**

(45) **Date of Patent:** **\*\* Nov. 18, 2003**

(54) **CONCRETE FORM HOLDER**

(76) Inventor: **Sean Lee Dinan**, 3928 Snow Valley Dr., Reno, NV (US) 89506

(\*\*) Term: **14 Years**

(21) Appl. No.: **29/152,791**

(22) Filed: **Dec. 27, 2001**

(51) **LOC (7) Cl.** ..... **25-99**

(52) **U.S. Cl.** ..... **D25/199**

(58) **Field of Search** ..... 249/1, 2, 4, 11;  
D25/199

(56) **References Cited**

**U.S. PATENT DOCUMENTS**

2,908,959	A	10/1959	Hogan et al.	
4,291,858	A	9/1981	NeSmith	
4,494,725	A	1/1985	Sims	
4,635,895	A	1/1987	Johnson, Jr. et al.	
5,048,781	A	9/1991	Breen	
D354,576	S	* 1/1995	Weinig	D25/199
5,817,247	A	* 10/1998	Colatruglio	249/4

**OTHER PUBLICATIONS**

Metal Forms Corporation; Net Price List No. 97-1, Curb & Gutter Forms; Jan. 1, 1997; Milwaukee, Wisconsin, U.S.A.

\* cited by examiner

*Primary Examiner*—Doris Clark

(74) *Attorney, Agent, or Firm*—R. Michael West

(57) **CLAIM**

The ornamental design for a concrete form holder, as shown and described.

**DESCRIPTION**

FIG. 1 is a low angle perspective view of a concrete form holder, showing my new design;

FIG. 2 is a rear elevational view, thereof;

FIG. 3 is a front elevational view, thereof;

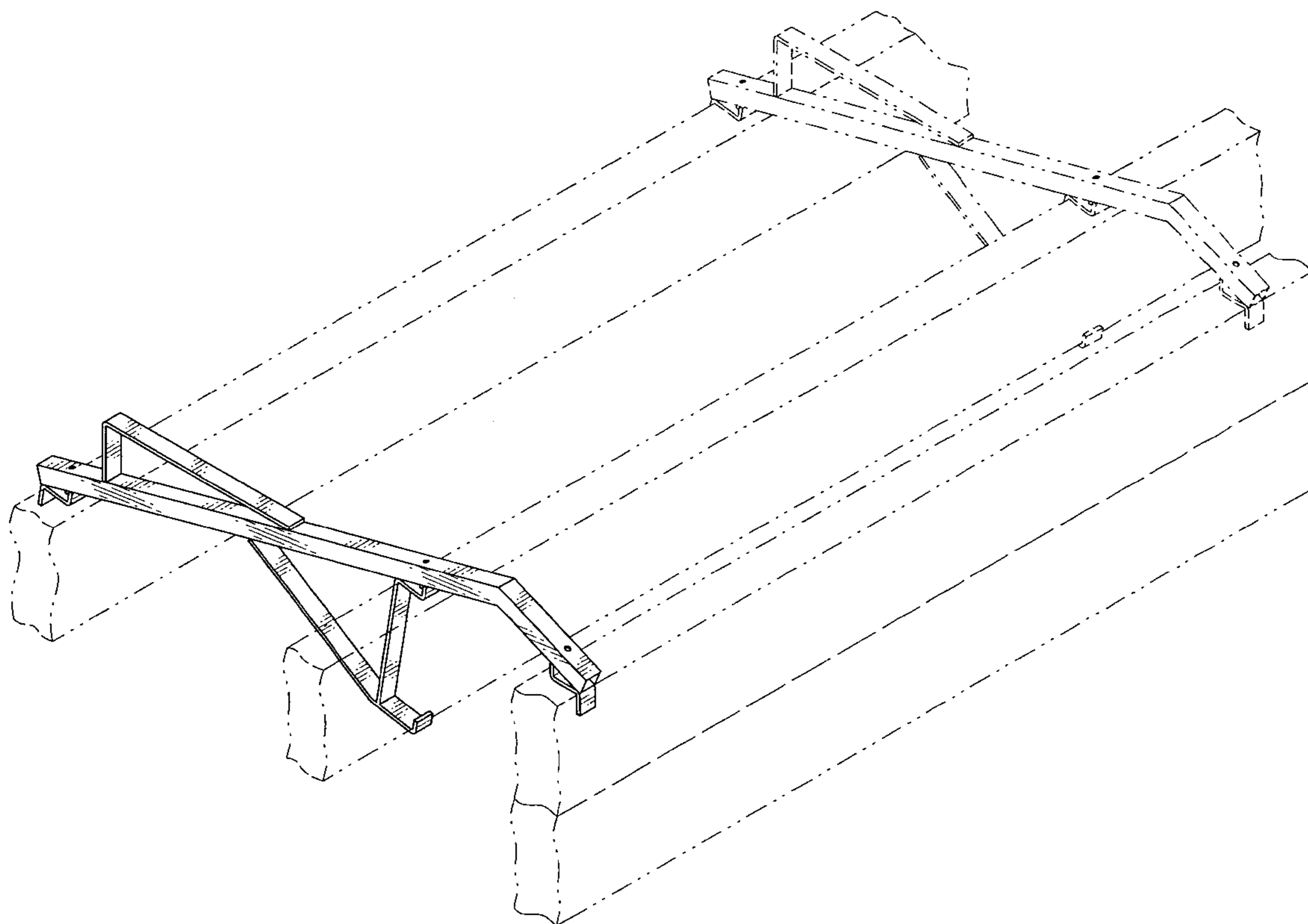
FIG. 4 is a top plan view, thereof;

FIG. 5 is a side elevational view, the opposite side elevational view being substantially a mirror image, thereof;

FIG. 6 is a bottom plan view, thereof, and,

FIG. 7 is a perspective view, taken to a reduced scale, the broken-line representation of the second form holder and the forming boards being included solely for illustrative purposes, forming no part of the claimed design.

**1 Claim, 3 Drawing Sheets**



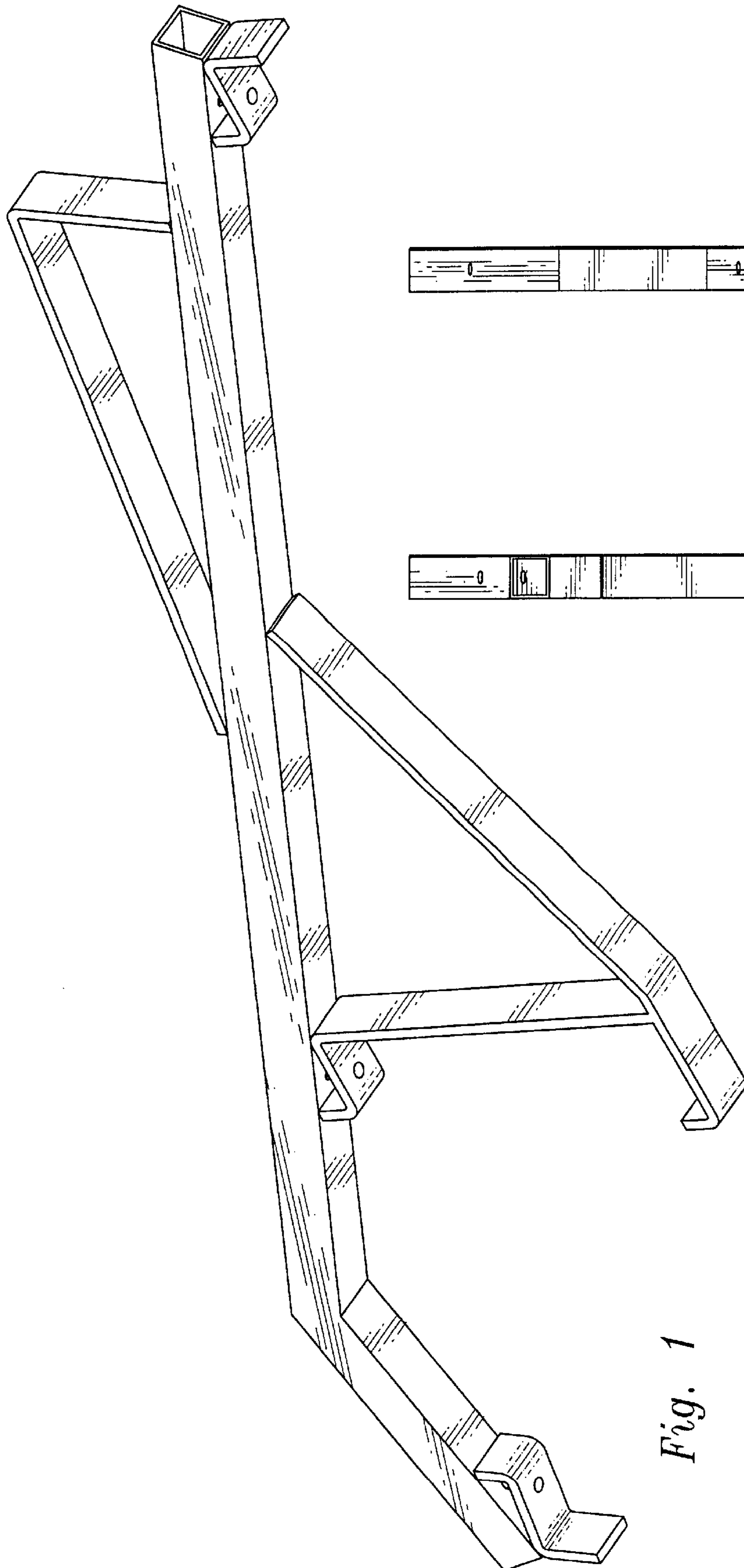


Fig. 1



Fig. 2



Fig. 3



Fig. 4

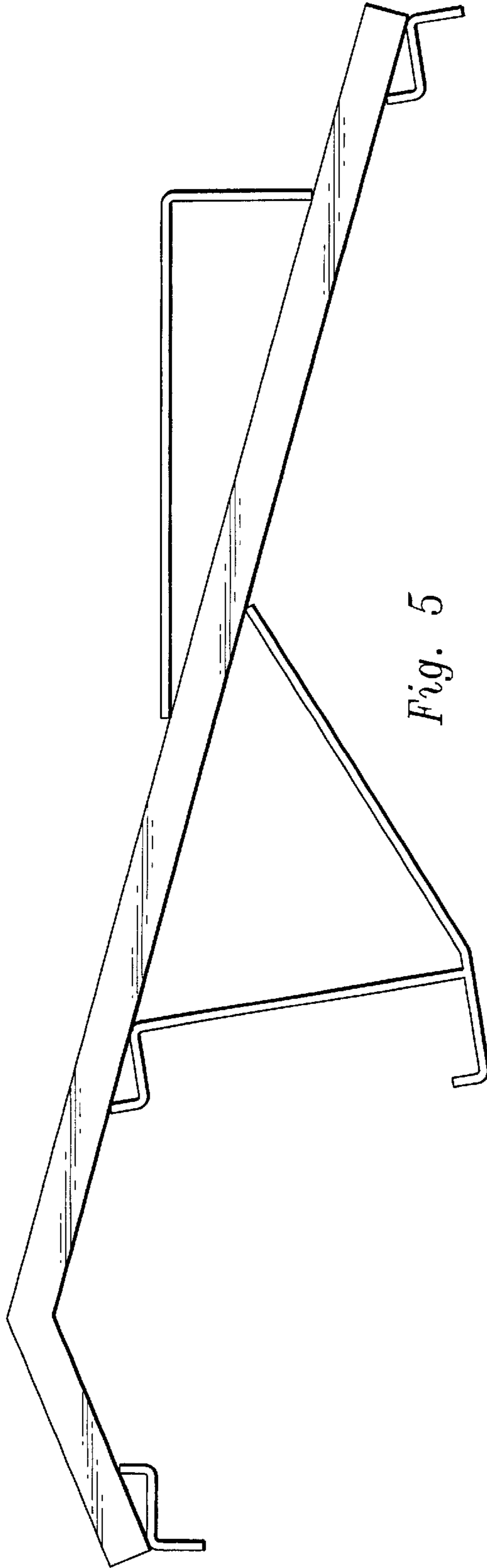


Fig. 5

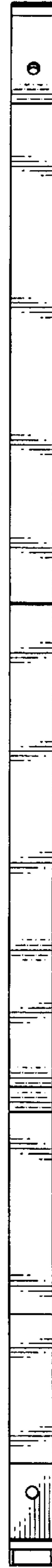


Fig. 6

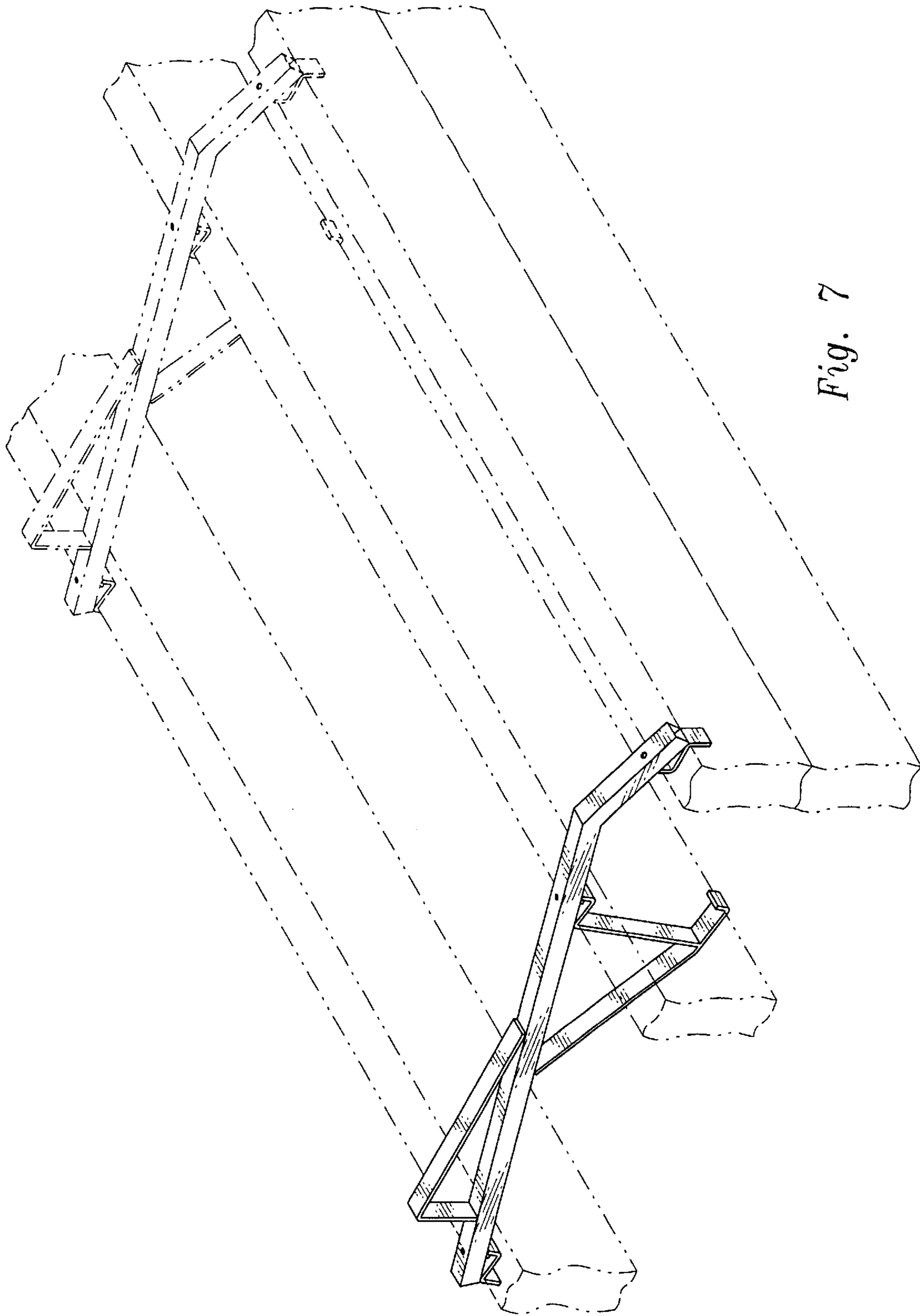


Fig. 7