



US00D482462S

(12) **United States Design Patent**  
**Hughes et al.**

(10) **Patent No.: US D482,462 S**

(45) **Date of Patent: \*\* Nov. 18, 2003**

(54) **SIDING ELEMENT**

(75) Inventors: **Roderick E. Hughes**, Newport Beach, CA (US); **Kevin Fidati**, Fayetteville, GA (US); **Joe Schiff**, Peachtree City, GA (US); **Jack Cuttle**, Fairburn, GA (US); **George Vuduris**, Peachtree City, GA (US)

(73) Assignees: **Extrutech International, Inc.**, Costamesa, CA (US); **Tri-Ex Composites Incorporated**, Newnan, GA (US)

(\*\*) Term: **14 Years**

5,706,620 A	1/1998	De Zen
5,743,986 A	4/1998	Colombo
5,847,016 A	12/1998	Cope
5,858,493 A	1/1999	Sandt
5,883,191 A	3/1999	Hughes
D409,869 S	5/1999	Marusak
5,953,878 A	9/1999	Johnson
6,039,307 A	3/2000	De Zen
6,054,207 A	4/2000	Finley
D426,320 S	6/2000	Andres
6,083,601 A	7/2000	Prince et al.
6,133,349 A	10/2000	Hughes
D461,914 S	8/2002	Hughes et al.
D462,458 S	9/2002	Hughes et al.
6,448,332 B1	9/2002	Hughes
6,451,882 B1	9/2002	Hughes

**OTHER PUBLICATIONS**

U.S. patent application Ser. No. 09/761,331 filed Jan. 16, 2001.

U.S. Design patent application Ser. No. 29/135,708 filed Jan. 16, 2001.

U.S. Design patent application Ser. No. 29/135,695 filed Jan. 16, 2001.

\* cited by examiner

*Primary Examiner*—Doris Clark

(74) *Attorney, Agent, or Firm*—Stout, Uxa, Buyan & Mullins, LLP; Frank J. Uxa

(21) Appl. No.: **29/167,917**

(22) Filed: **Sep. 24, 2002**

(51) **LOC (7) Cl.** ..... **25-01**

(52) **U.S. Cl.** ..... **D25/139; D25/121**

(58) **Field of Search** ..... 52/518, 222, 415, 52/416, 478, 561; D25/139

(56) **References Cited**

**U.S. PATENT DOCUMENTS**

D143,403 S	*	1/1946	Coburn	.....	D25/139
3,041,719 A		7/1962	Haseltine		
3,489,392 A		1/1970	Thom		
3,554,494 A		1/1971	Bee		
4,181,764 A		1/1980	Totten		
4,208,175 A		6/1980	Rosenbaum		
4,249,875 A		2/1981	Hart et al.		
4,453,357 A		6/1984	Zwilgmeyer		
4,514,449 A		4/1985	Budich et al.		
4,610,902 A		9/1986	Eastman et al.		
4,746,688 A		5/1988	Bistak et al.		
4,964,618 A		10/1990	Kennedy et al.		
4,972,537 A		11/1990	Slaw, Sr.		
5,077,948 A		1/1992	Olson et al.		
5,100,109 A		3/1992	Robbins, III		
5,329,741 A		7/1994	Nicolaidis et al.		
5,404,685 A		4/1995	Collins		
5,416,139 A		5/1995	Zeiszler		
5,418,028 A		5/1995	DeWitt		
5,471,807 A	*	12/1995	Vasquez	.....	52/478

(57) **CLAIM**

The ornamental design for siding element, as shown and described.

**DESCRIPTION**

FIG. 1 is a perspective view of the siding element of the present invention, showing the top, front and left sides thereof.

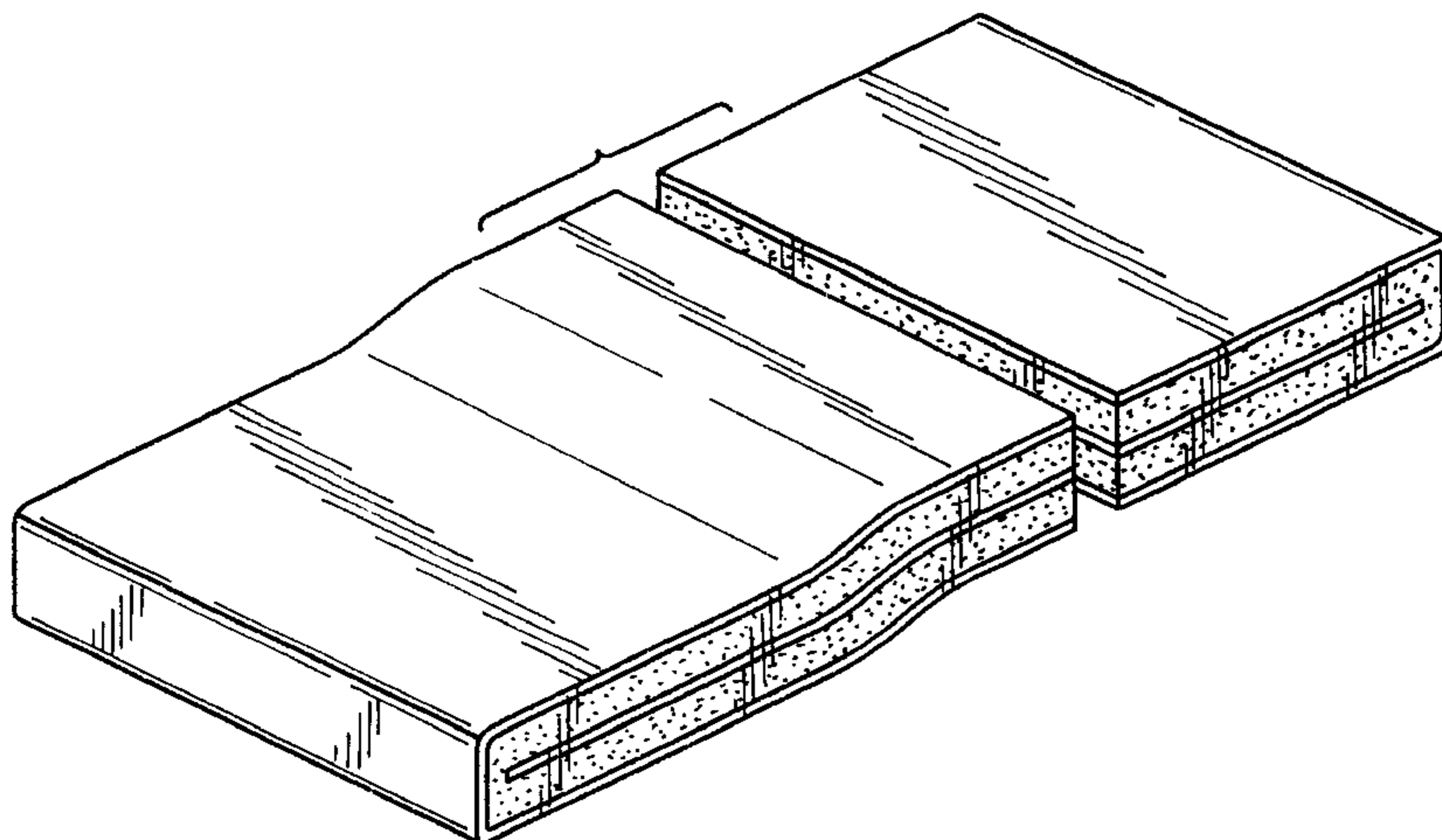
FIG. 2 is an elevation view showing the right side of the siding element shown in FIG. 1.

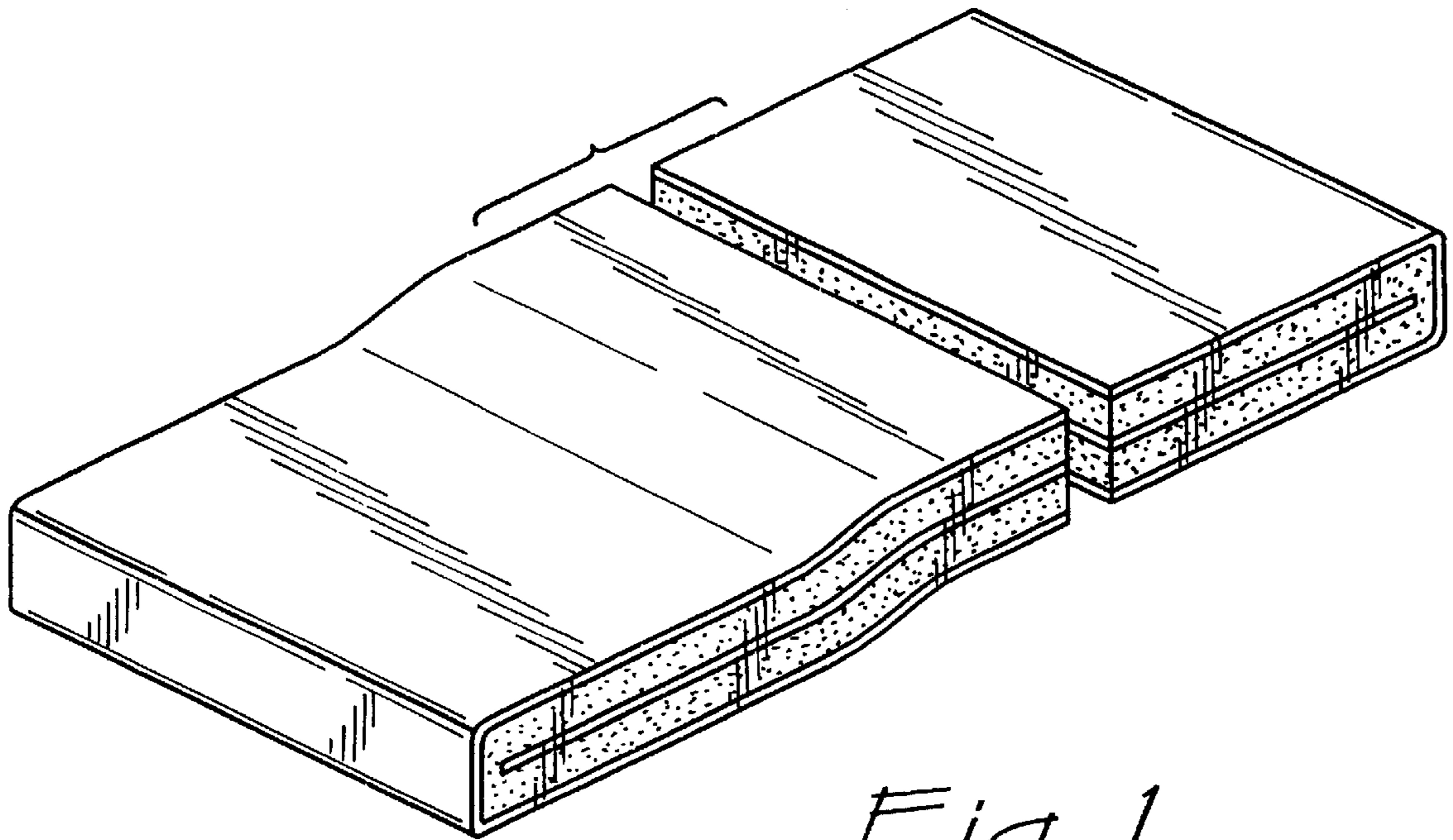
FIG. 3 is an elevation view showing the back of the siding element shown in FIG. 1.

FIG. 4 is a bottom plan view of the siding element shown in FIG. 1; and,

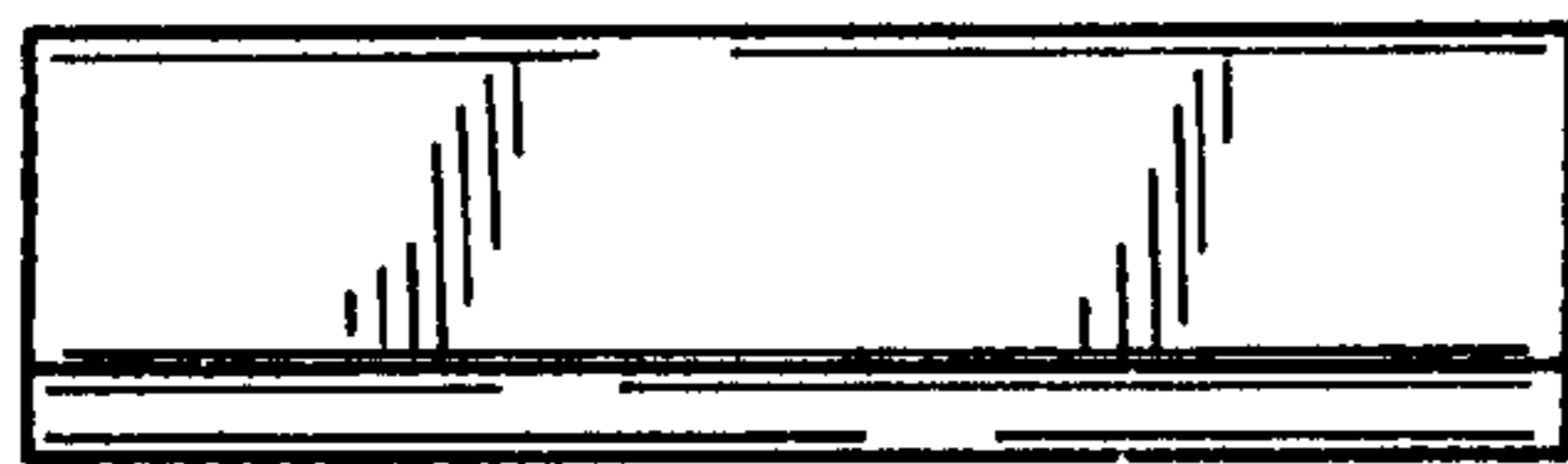
FIG. 5 is an enlargement of area 5 of FIG. 3 of the siding element.

**1 Claim, 2 Drawing Sheets**

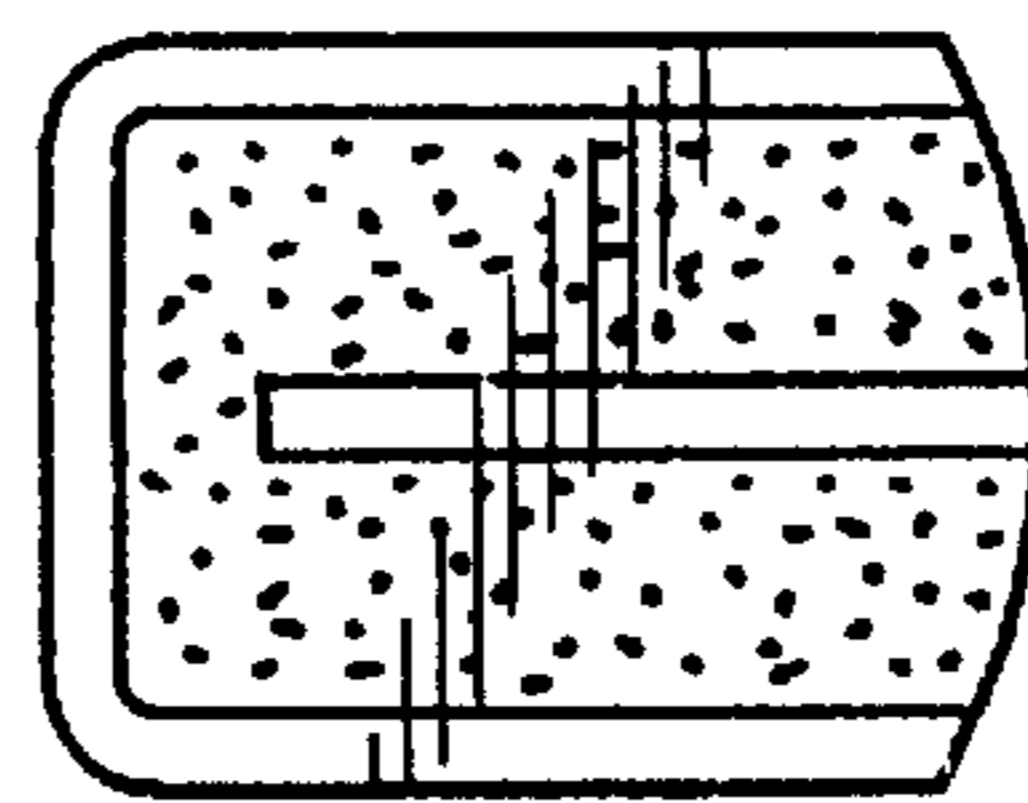




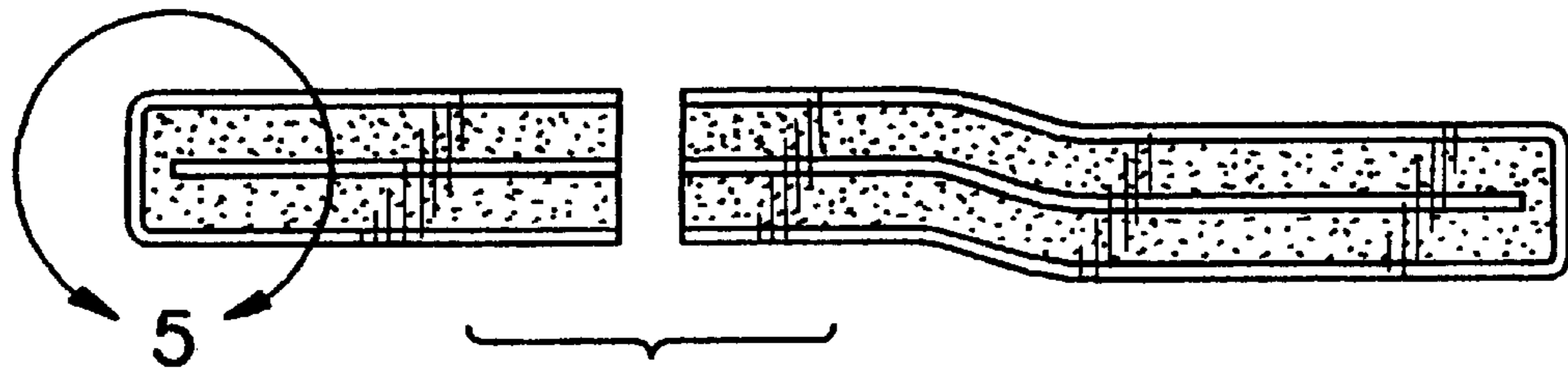
*Fig. 1*



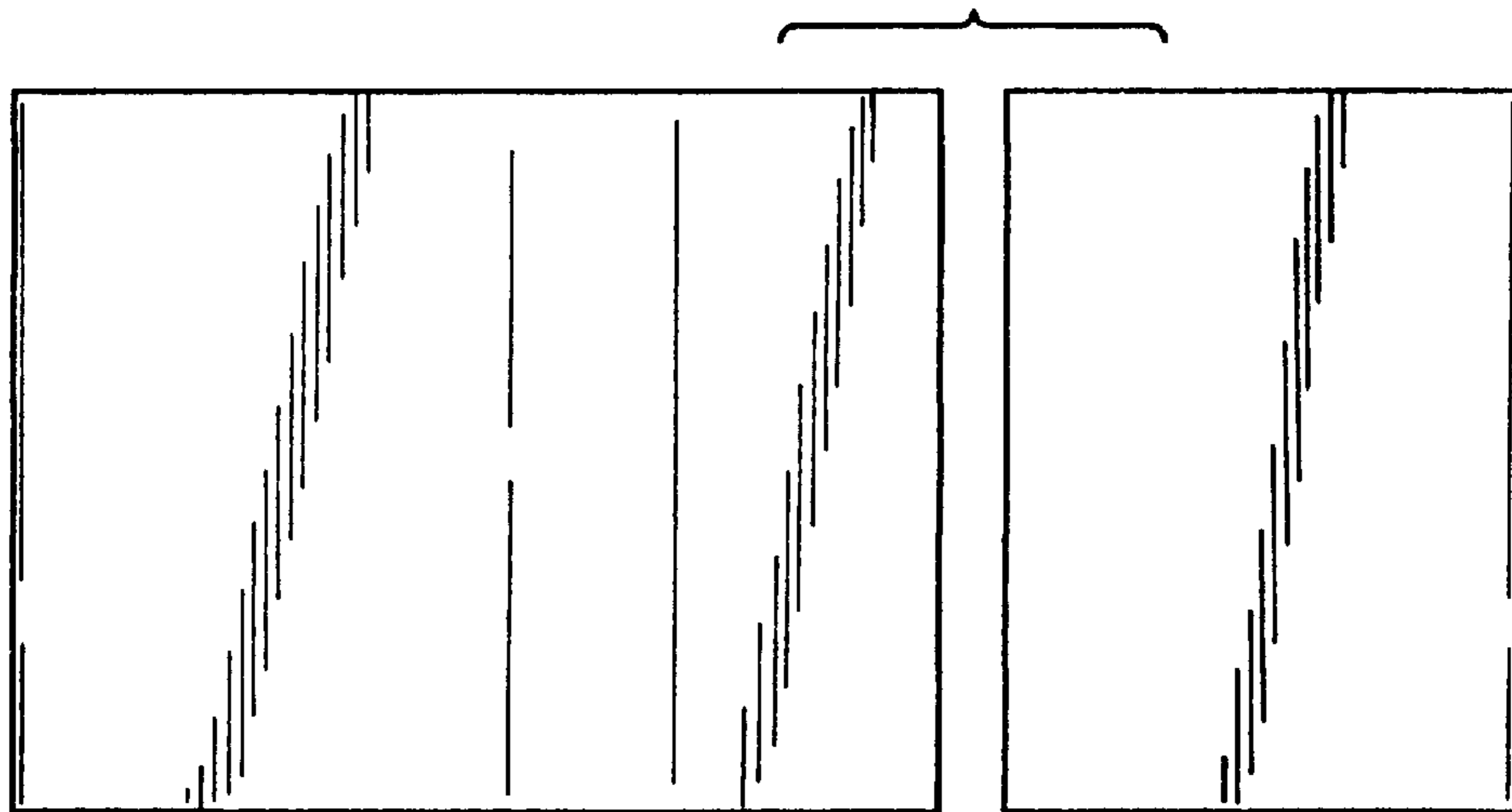
*Fig. 2*



*Fig. 5*



*Fig. 3*



*Fig. 4*