



US00D482460S

(12) **United States Design Patent**
Knapp

(10) **Patent No.:** **US D482,460 S**

(45) **Date of Patent:** **** Nov. 18, 2003**

(54) **WINDOW AND LOUVER FRAME CAP**

(76) Inventor: **Michael E. Knapp**, 4301 N. James H. McGee Blvd., Dayton, OH (US) 45427

(**) Term: **14 Years**

(21) Appl. No.: **29/170,340**

(22) Filed: **Nov. 4, 2002**

(51) **LOC (7) Cl.** **25-01**

(52) **U.S. Cl.** **D25/119; D25/136**

(58) **Field of Search** **52/300, 204.5, 52/342, 473, 716.1, 717.01, 718.01; D25/135, 136, 119**

(56) **References Cited**

U.S. PATENT DOCUMENTS

4,982,530 A	1/1991	Palmer	
5,791,113 A	8/1998	Glowa et al.	
D407,830 S	* 4/1999	Raab D25/136
6,148,584 A	* 11/2000	Wilson 52/717.01
D447,253 S	* 8/2001	Gardner D25/119

* cited by examiner

Primary Examiner—Doris Clark

(74) *Attorney, Agent, or Firm*—Jacox, Meckstroth & Jenkins

(57) **CLAIM**

The ornamental design of a window and louver frame cap, as shown and described.

DESCRIPTION

FIG. 1 is a perspective view of a window and louver frame cap showing, as one embodiment, a lineal section of my new design with a portion broken away to disclose indefinite length;

FIG. 2 is a perspective view of a window and louver frame cap showing, as a second embodiment, a curved section of my new design, with a portion broken away to disclose indefinite length; and,

FIG. 3 is a cross-sectional profile view thereof, taken on the line 3—3 of FIGS. 1 & 2.

1 Claim, 1 Drawing Sheet

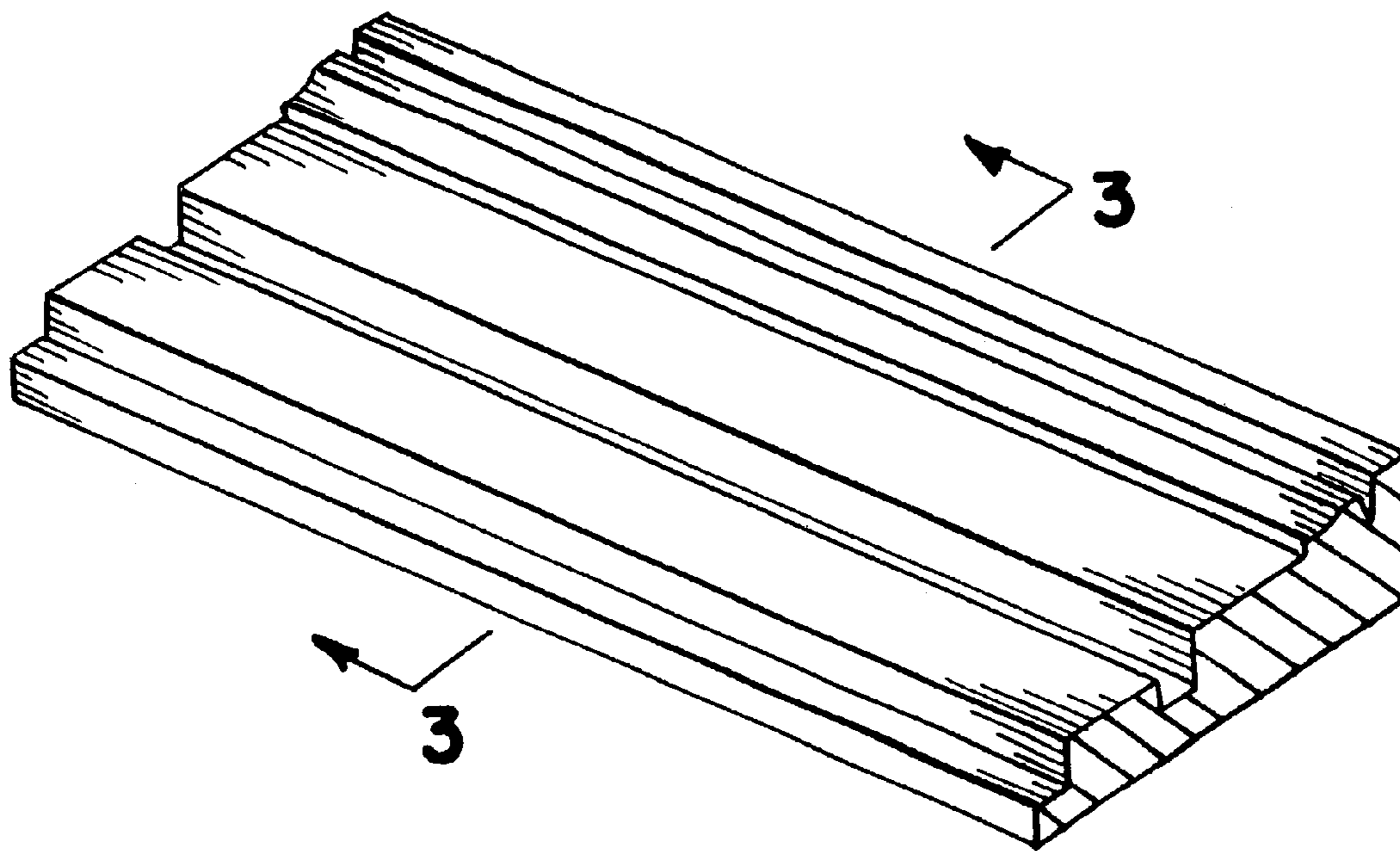


FIG-1

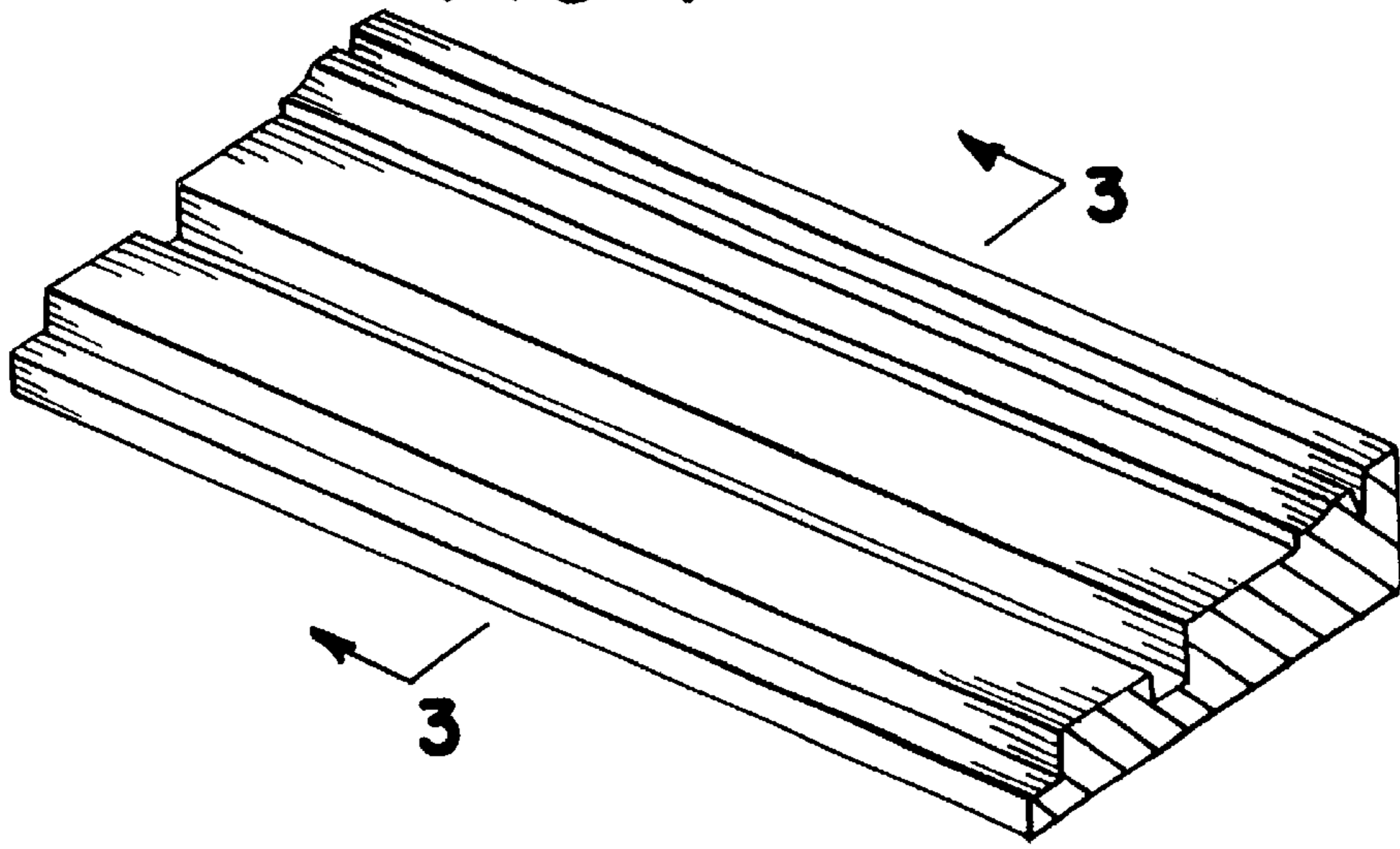


FIG-2

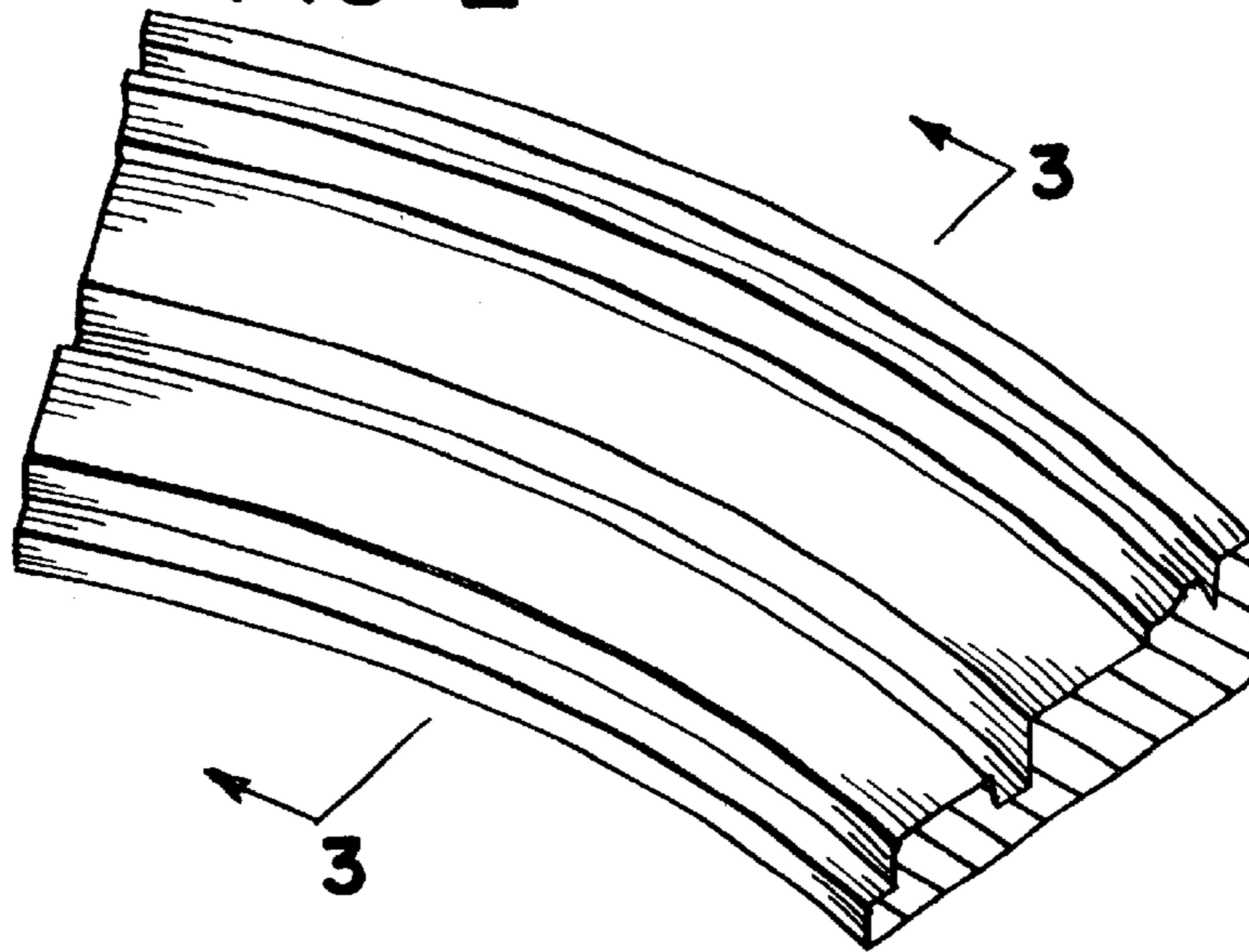


FIG-3

