



US00D482458S

(12) **United States Design Patent**
Limber

(10) **Patent No.:** **US D482,458 S**

(45) **Date of Patent:** **** Nov. 18, 2003**

(54) **STEP LADDER WITH STORAGE COMPARTMENT**

Primary Examiner—Doris Clark
(74) *Attorney, Agent, or Firm*—The Halvorson Law Firm

(75) **Inventor:** **Jamie A. Limber**, Gilbert, AZ (US)

(57) **CLAIM**

(73) **Assignee:** **Christmas Light Company, Inc.**

An ornamental design for a step ladder with storage compartment, as shown and described.

(**) **Term:** **14 Years**

DESCRIPTION

(21) **Appl. No.:** **29/173,120**

FIG. 1 is a top perspective view of the present invention;
FIG. 2 is a side view of the present invention;

(22) **Filed:** **Dec. 20, 2002**

(51) **LOC (7) Cl.** **25-04**

FIG. 3 is a bottom and side perspective view of the present invention with the handle extended;

(52) **U.S. Cl.** **D25/65**

(58) **Field of Search** 182/22, 23, 20;
248/238; D25/65

FIG. 4 is the bottom and front perspective view with the handle extended;

(56) **References Cited**

FIG. 5 is a bottom and side perspective view of the present invention; and,

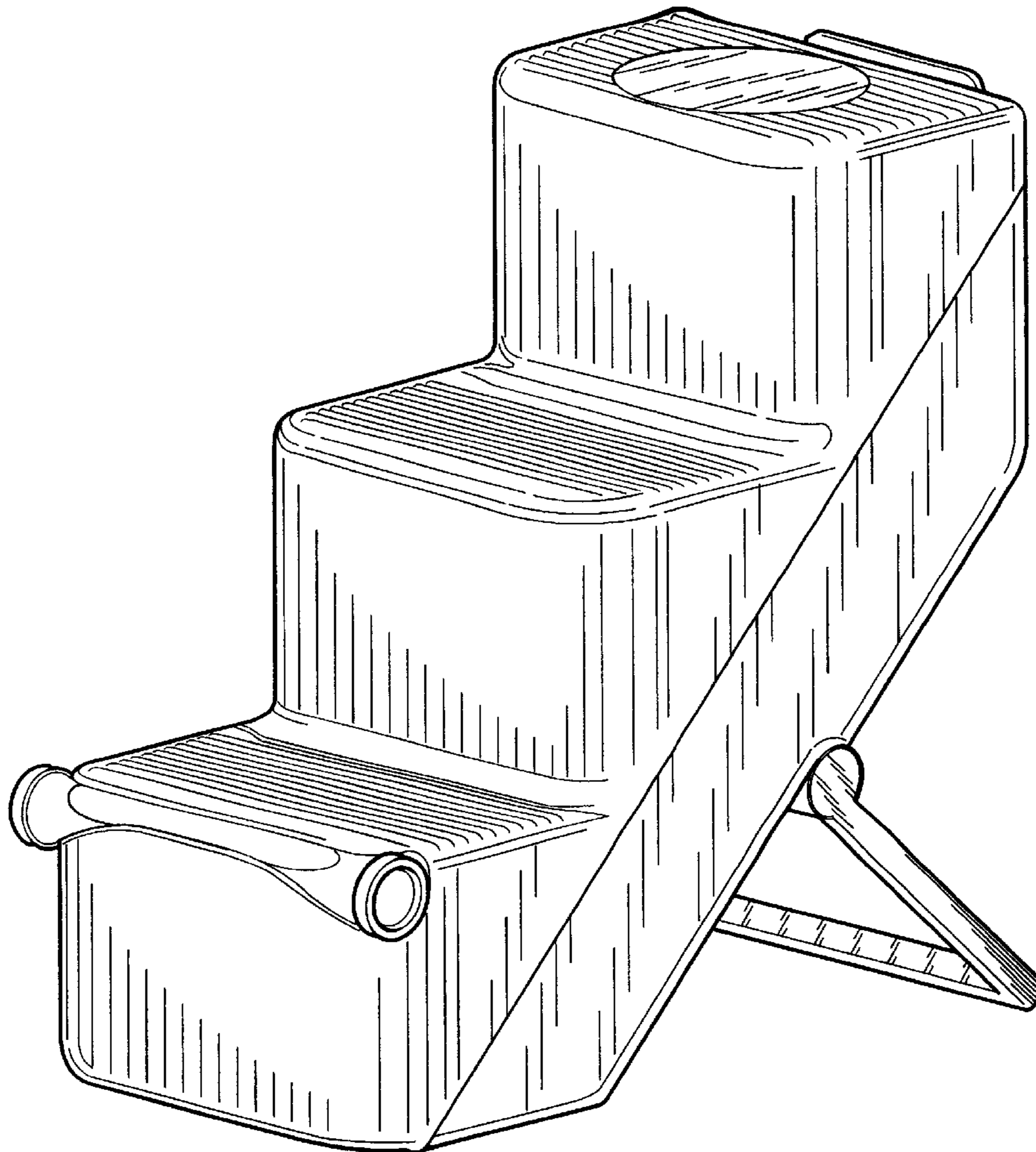
U.S. PATENT DOCUMENTS

FIG. 6 is the opposite side view of the present invention with the handle extended.

D212,086 S * 8/1968 Gilman D25/65

* cited by examiner

1 Claim, 6 Drawing Sheets



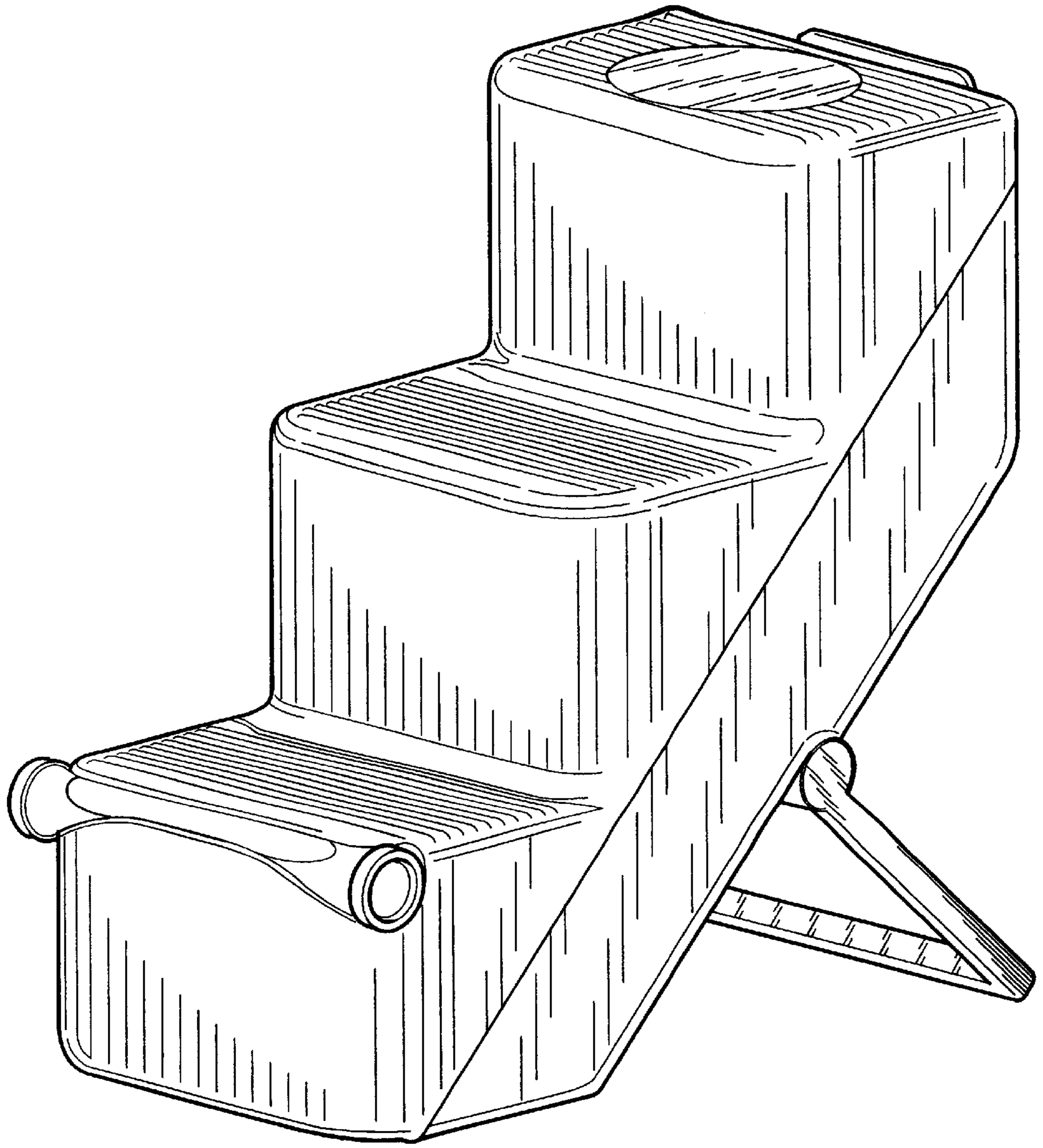


Fig. 1

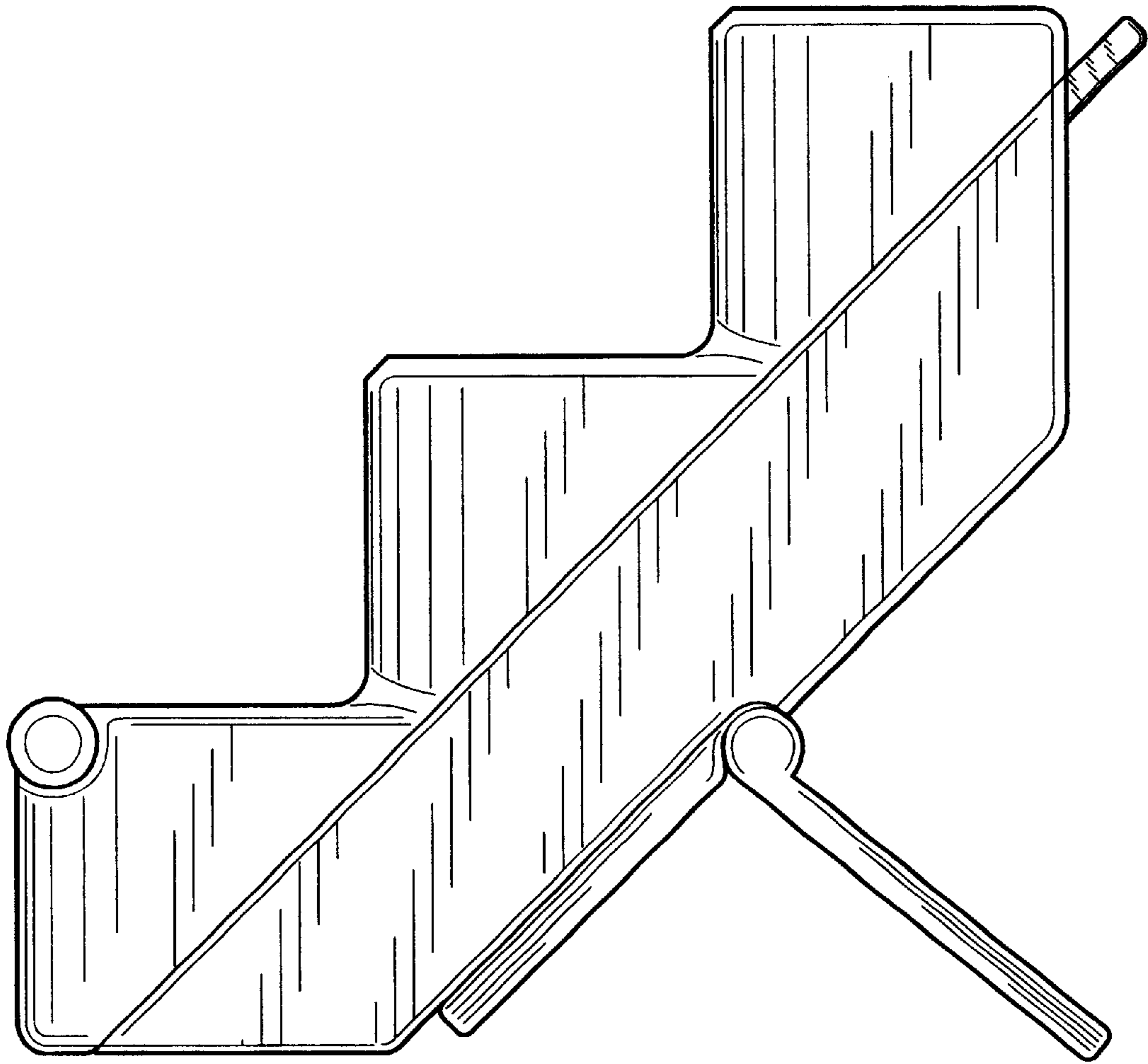


Fig. 2

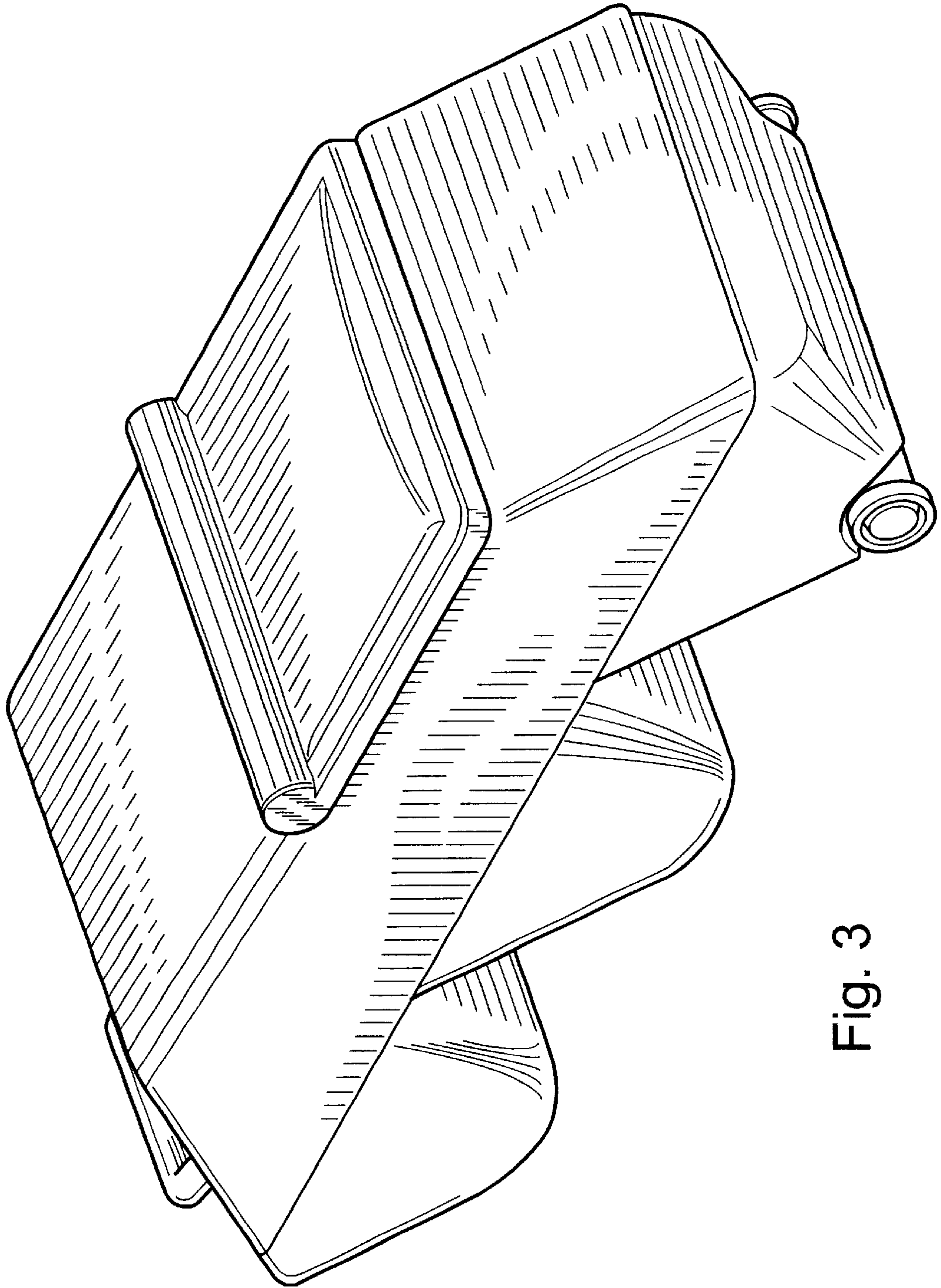


Fig. 3

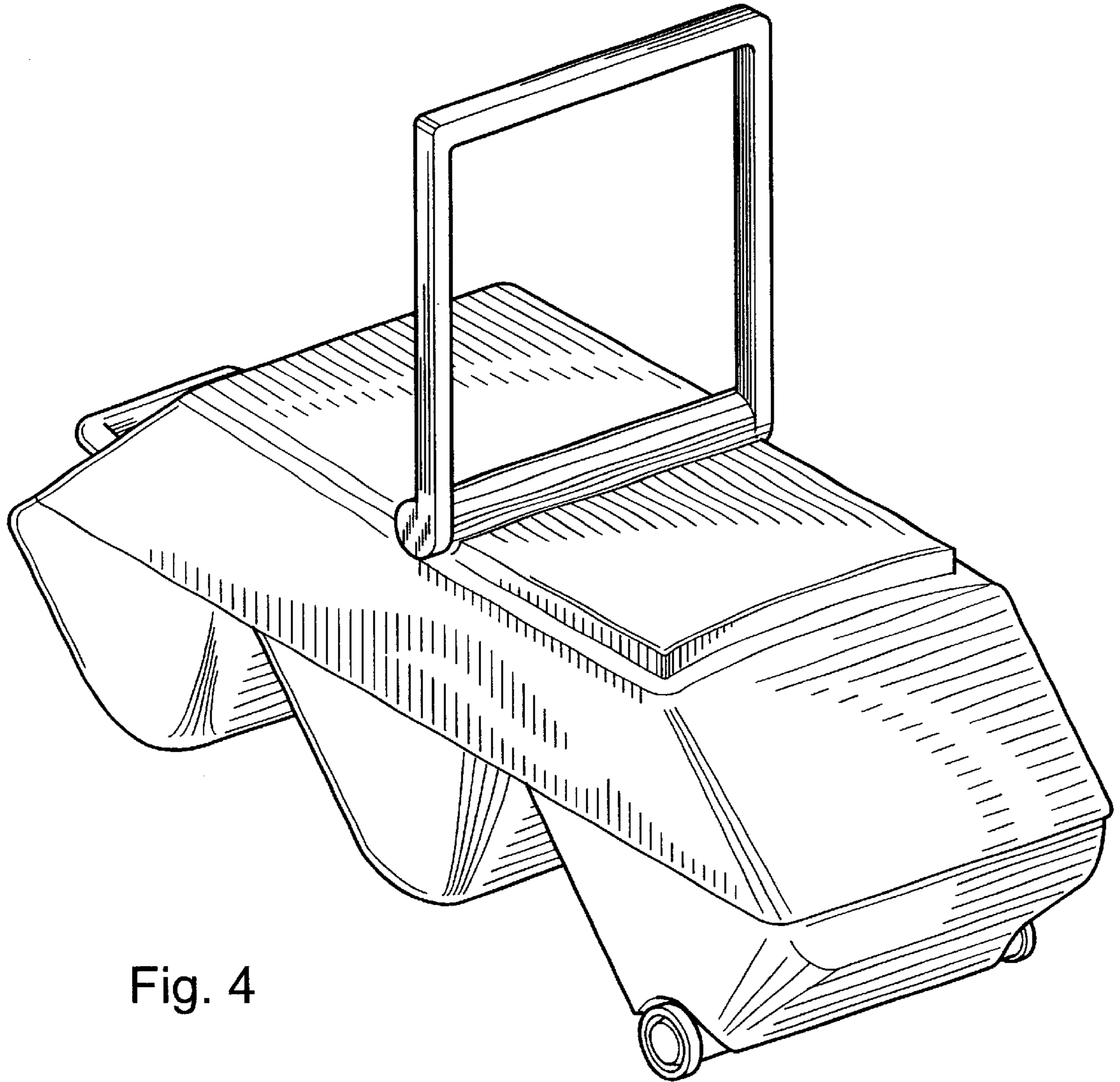


Fig. 4

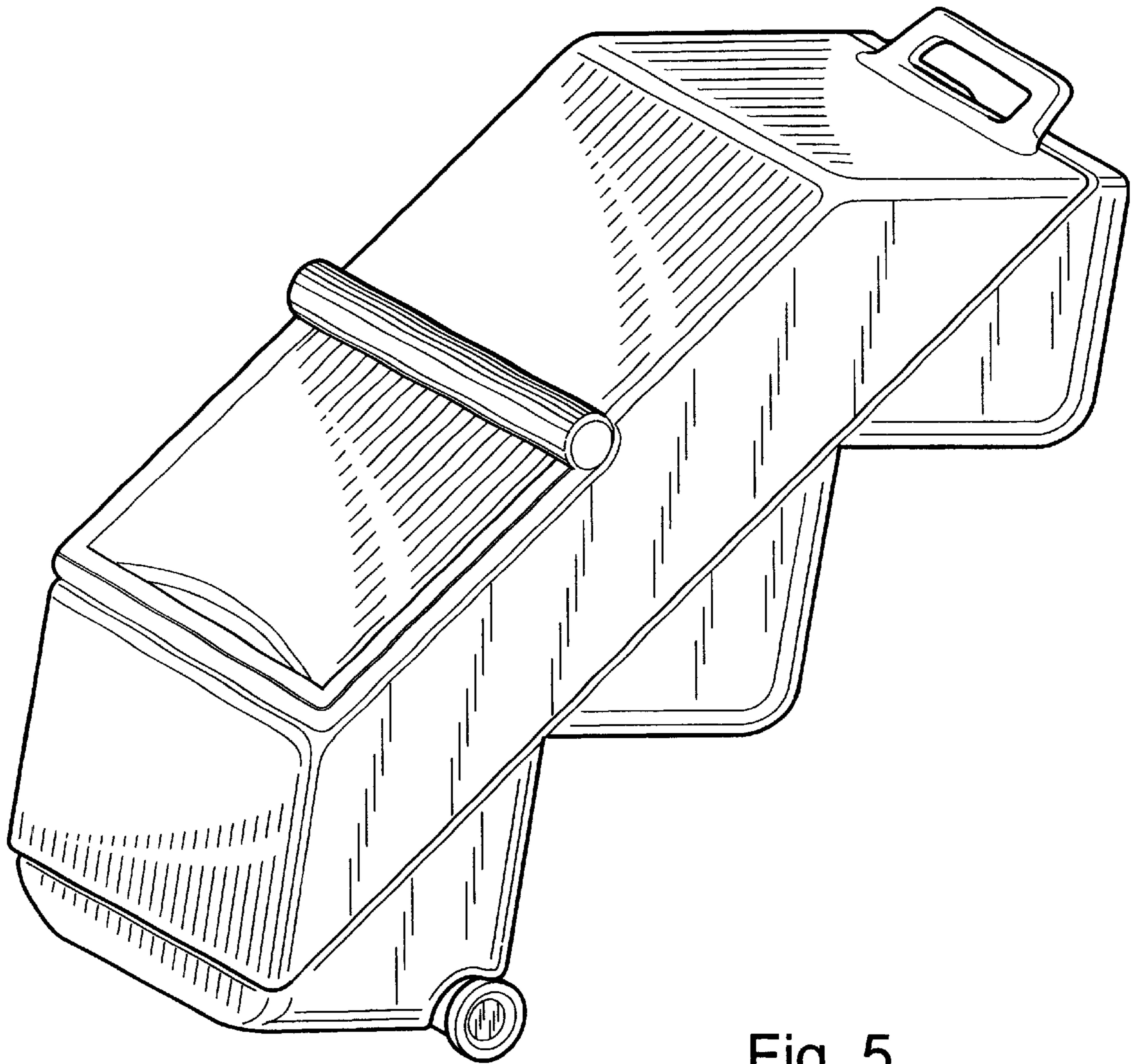


Fig. 5

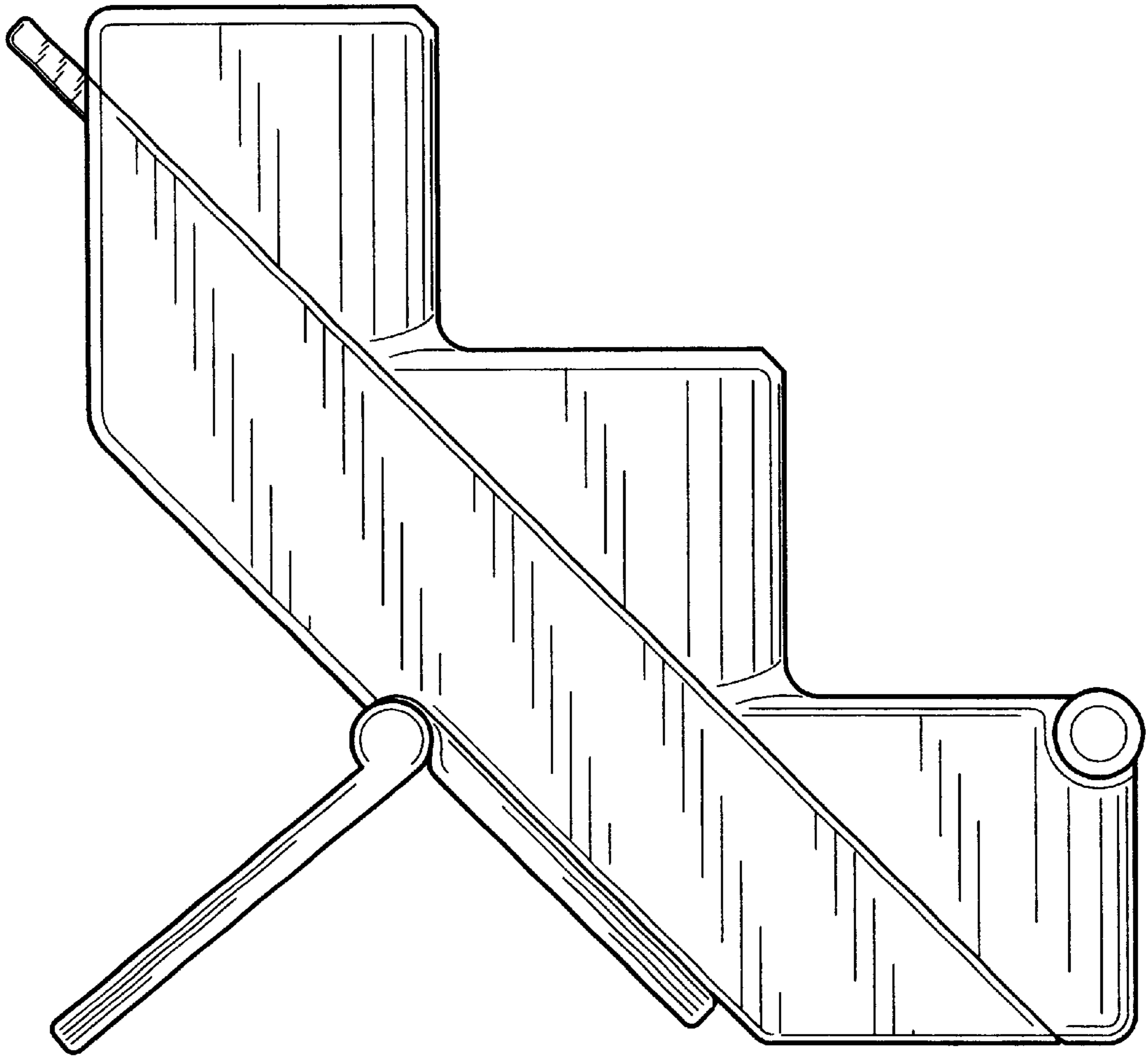


Fig. 6