



US00D482457S

(12) **United States Design Patent**
Adelizzi

(10) **Patent No.:** **US D482,457 S**

(45) **Date of Patent:** **** Nov. 18, 2003**

(54) **TROLLEY STOP/SHELTER**

D415,573 S * 10/1999 Chipman et al. D25/56

(75) Inventor: **Richard Adelizzi**, Cape Main, NJ (US)

* cited by examiner

(73) Assignee: **Great American Trolley Co.**, North Cape May, NJ (US)

Primary Examiner—Doris Clark

(74) *Attorney, Agent, or Firm*—Allen, Dyer, Doppelt, Milbrath & Gilchrist, P.A.

(**) Term: **14 Years**

(57) **CLAIM**

(21) Appl. No.: **29/175,025**

The ornamental design for a trolley stop/shelter, as shown and described.

(22) Filed: **Jan. 29, 2003**

DESCRIPTION

(51) **LOC (7) Cl.** **25-02**

(52) **U.S. Cl.** **D25/56; D25/1**

(58) **Field of Search** D25/56; 52/3-4, 52/23, 90.1, 79.1; 160/19; 135/904

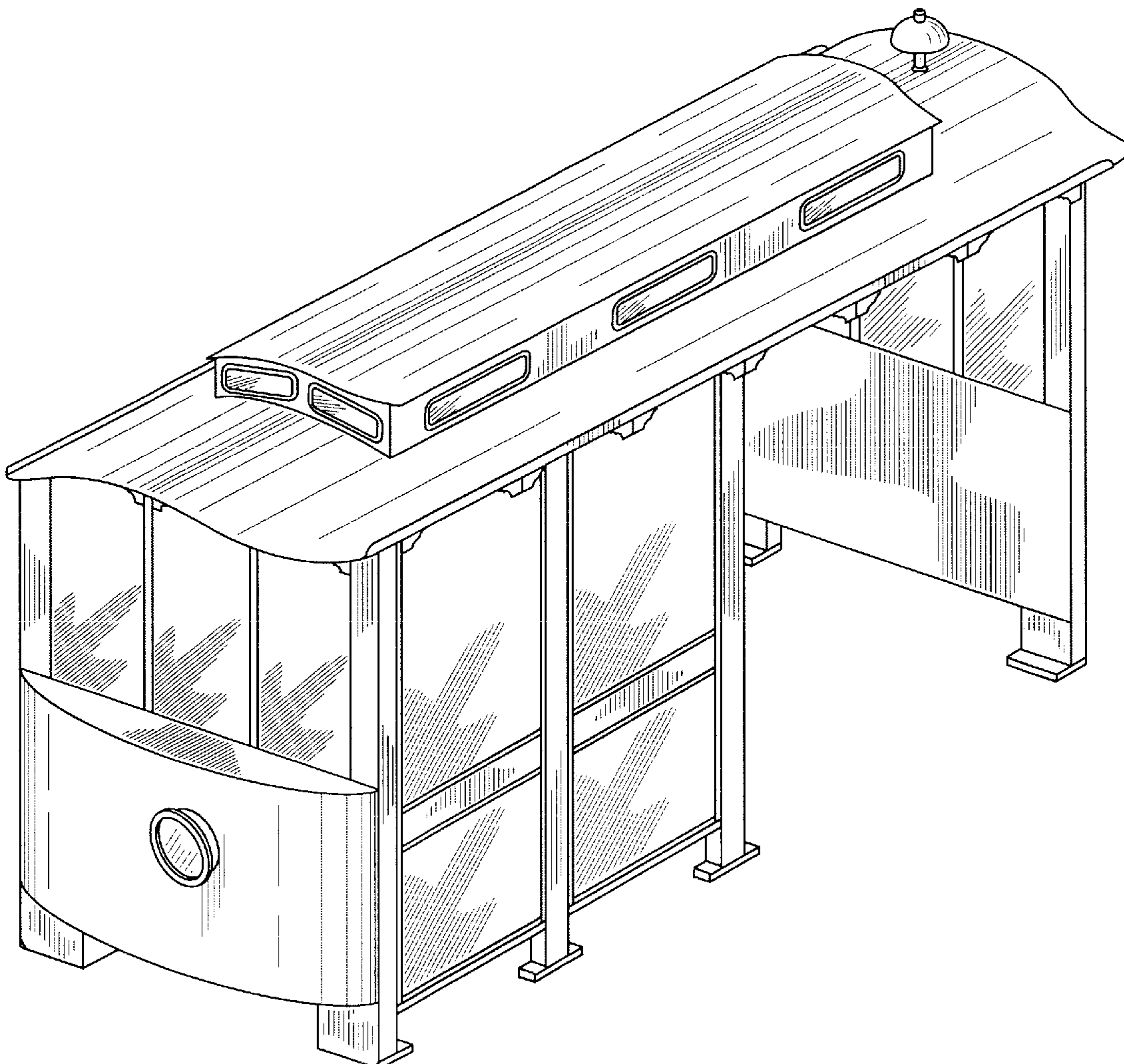
FIG. 1 is a rear elevated view of the trolley stop/shelter;
FIG. 2 is a front elevated view of the trolley stop/shelter;
FIG. 3 is a plan view;
FIG. 4 is a right side elevated view of the trolley stop/shelter;
and
FIG. 5 is a left side elevated view of the trolley stop/shelter;
and,
FIG. 6 is a perspective view of the trolley stop/shelter.

(56) **References Cited**

U.S. PATENT DOCUMENTS

D336,136 S * 6/1993 Foster D25/1
5,363,608 A * 11/1994 Conlan 52/79.1

1 Claim, 5 Drawing Sheets



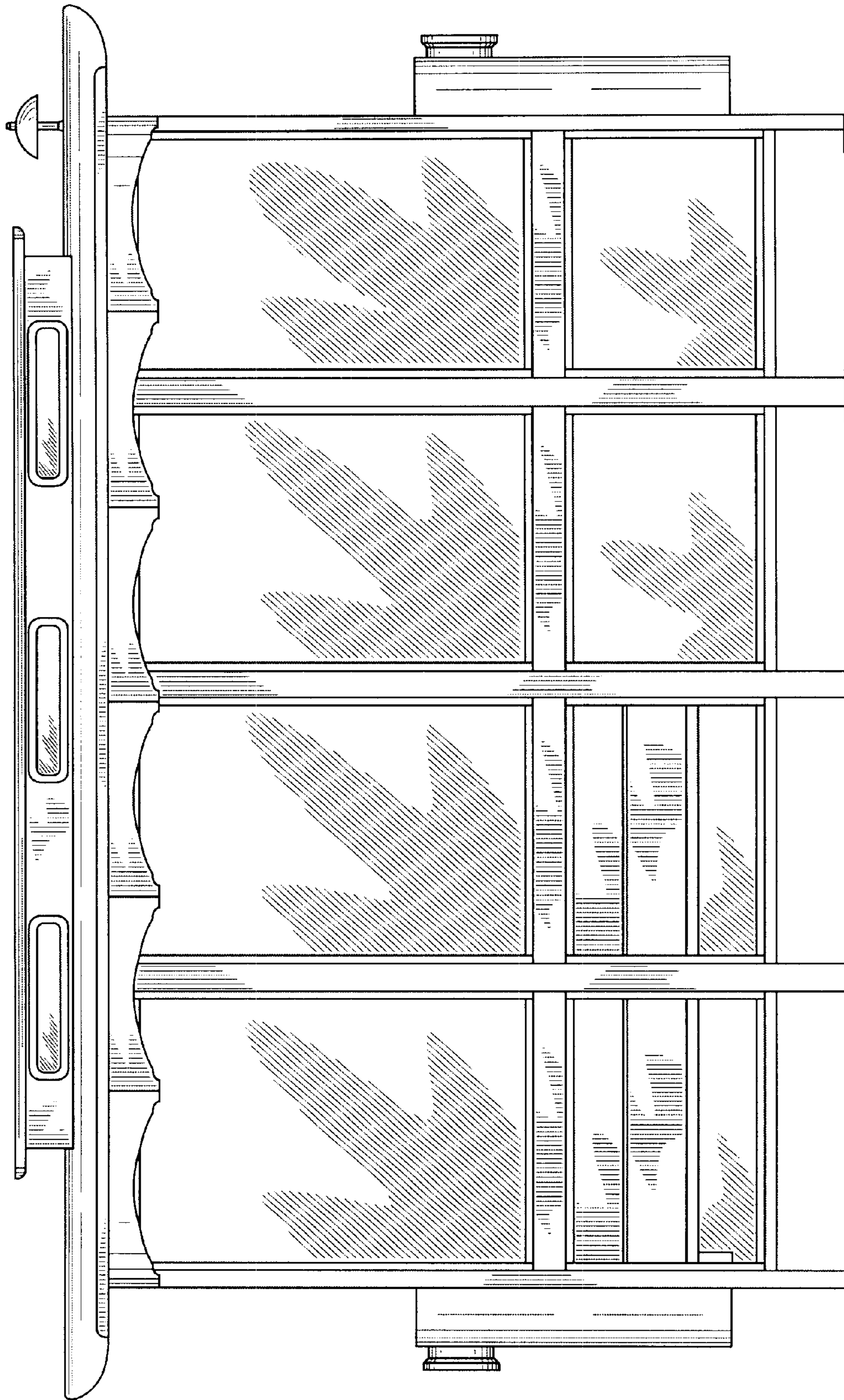


FIGURE 1

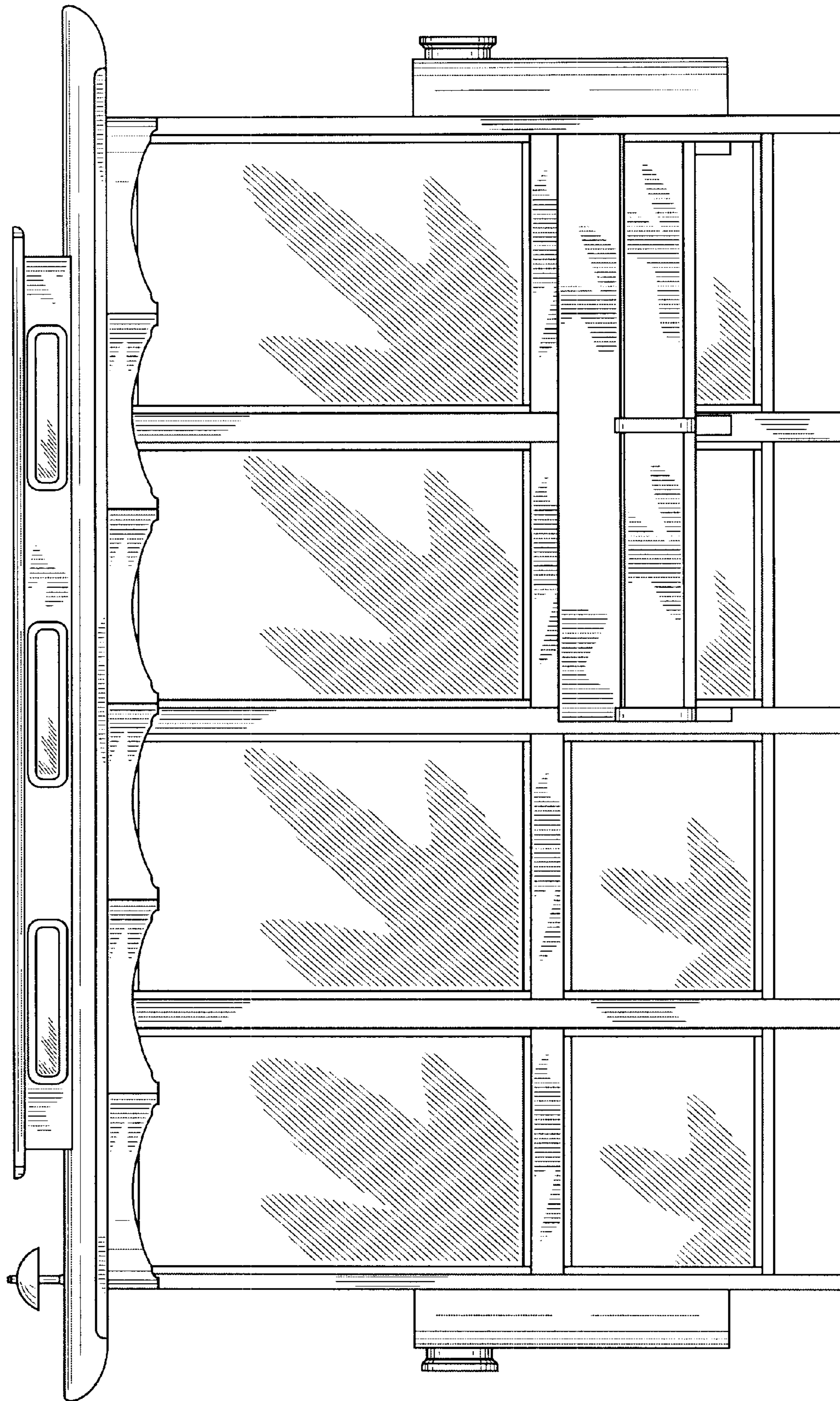


FIGURE 2

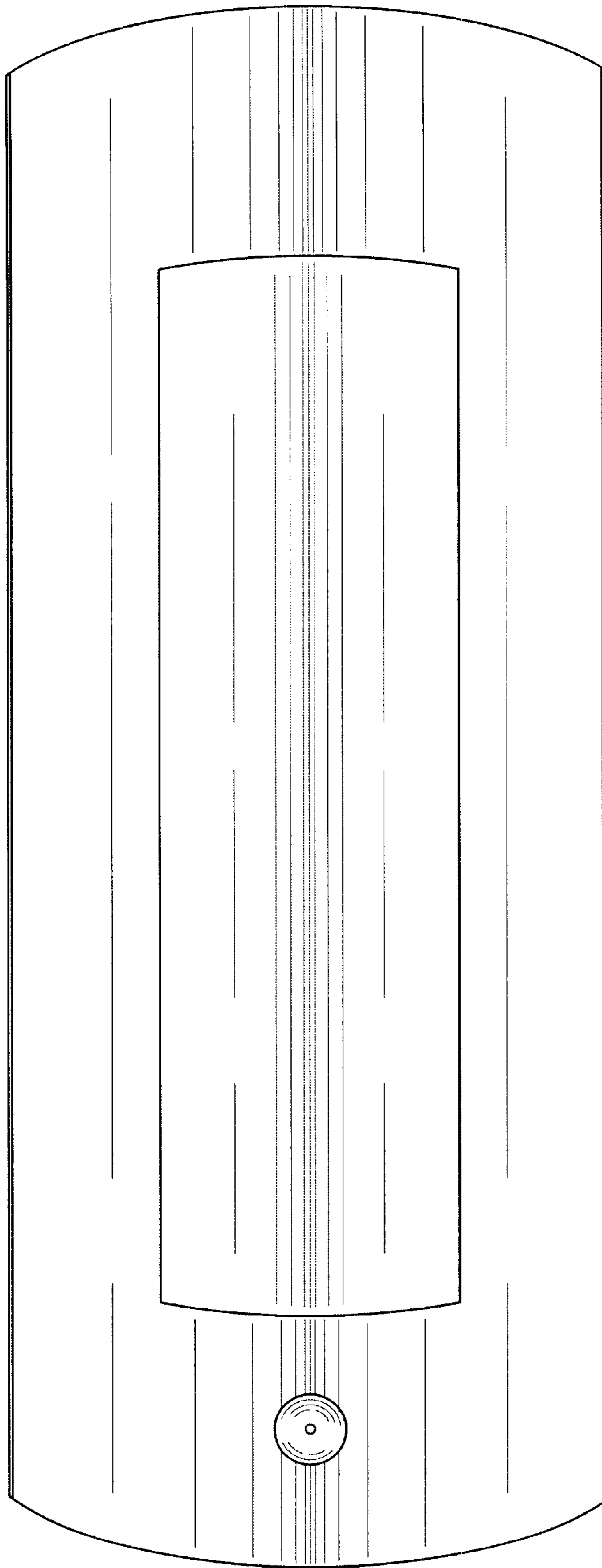


FIGURE 3

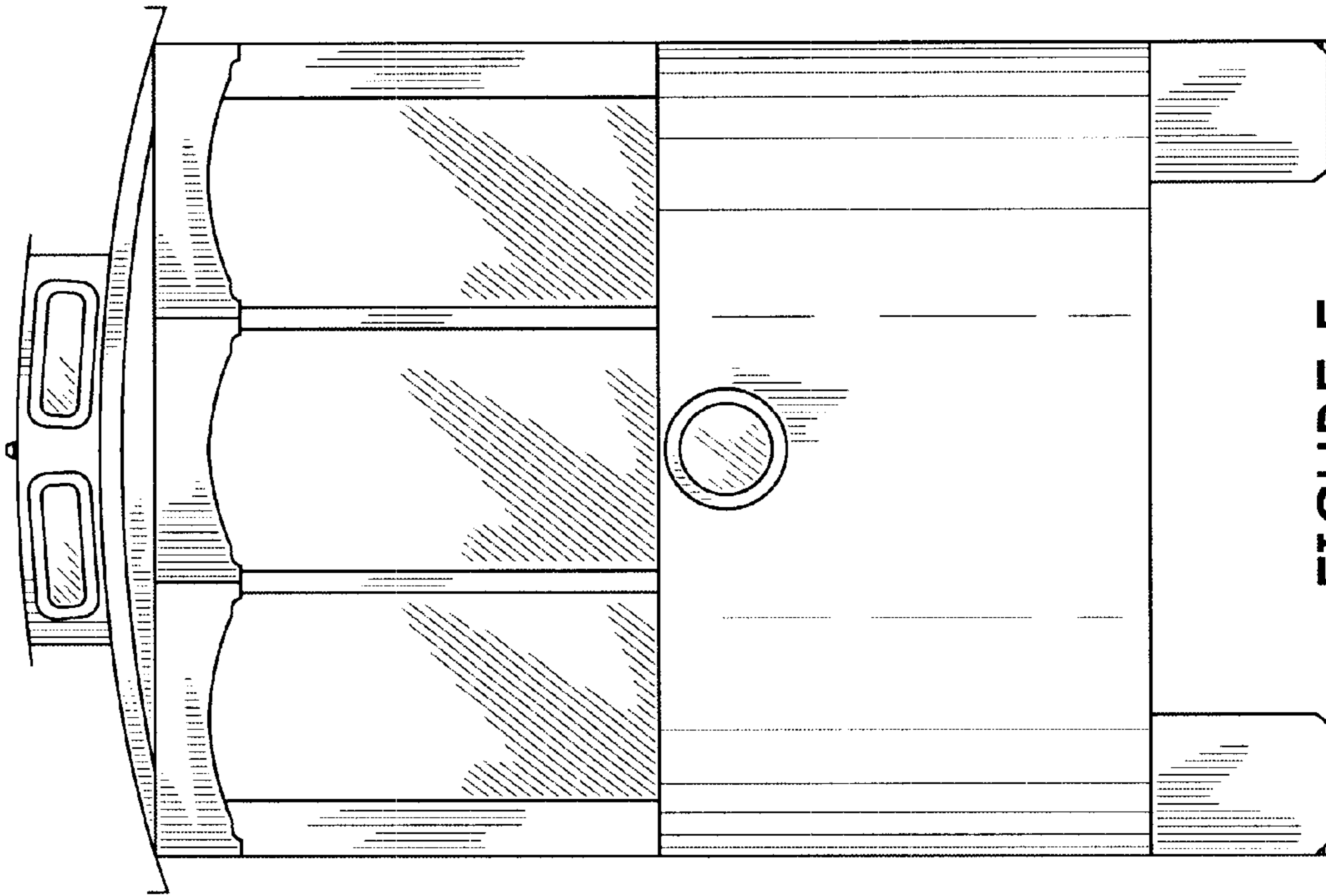


FIGURE 5

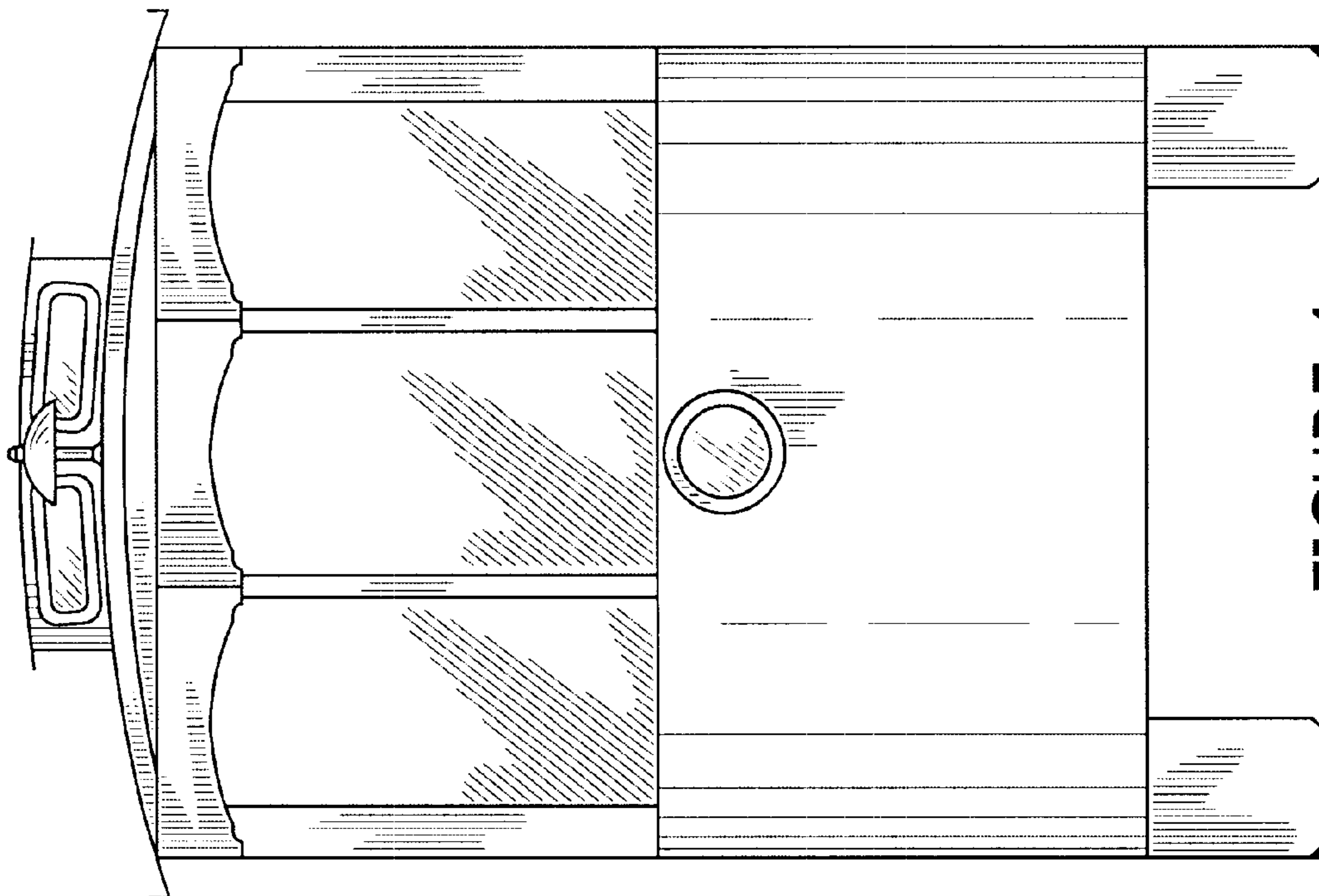


FIGURE 4

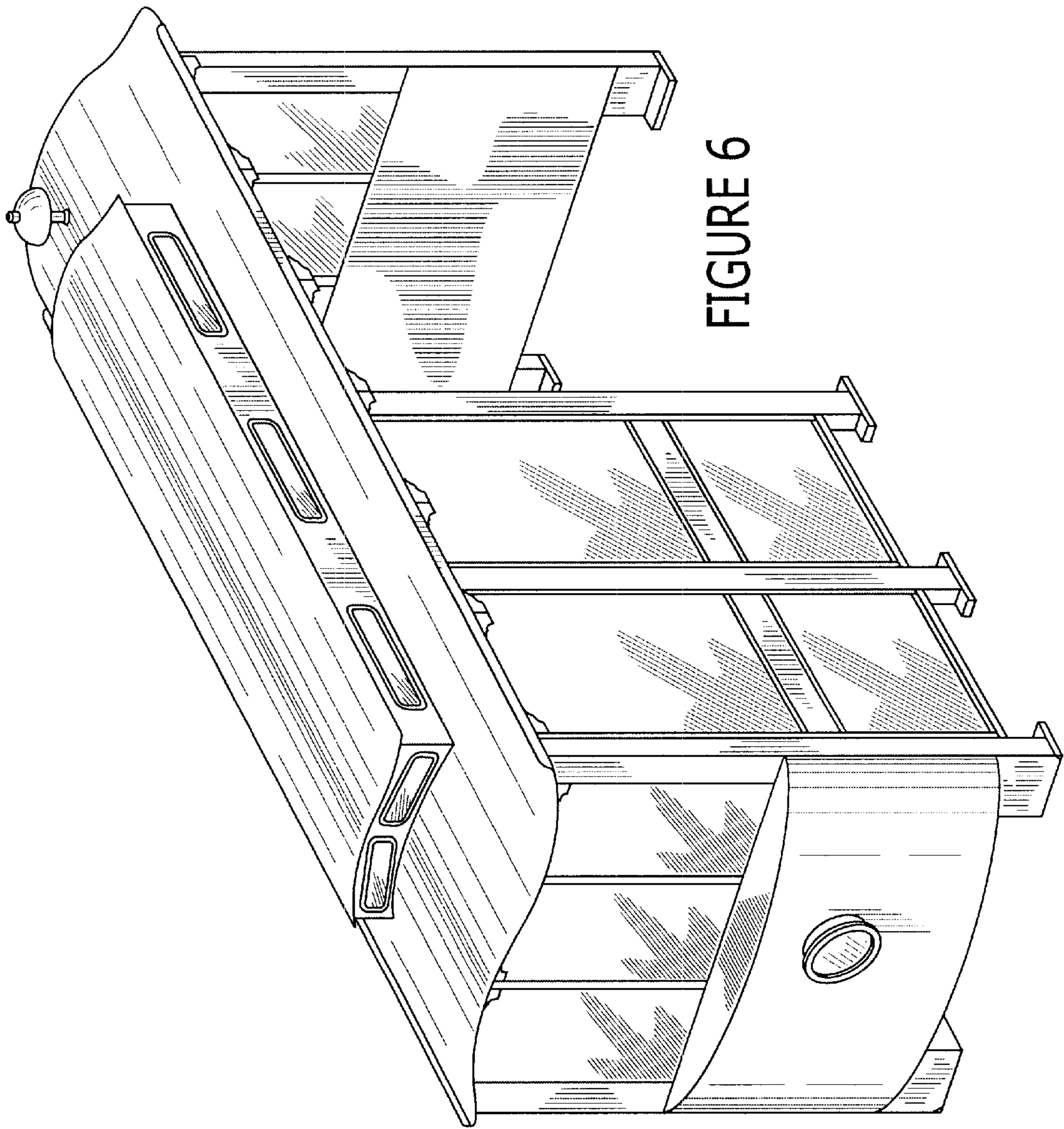


FIGURE 6