



US00D482454S

(12) **United States Design Patent**
Gebrian

(10) **Patent No.:** **US D482,454 S**

(45) **Date of Patent:** **** Nov. 18, 2003**

(54) **MULTI-COMPARTMENT REAGENT
CONTAINER FOR CONTAINING REAGENTS**

(75) **Inventor:** **Peter Louis Gebrian**, Wilmington, DE
(US)

(73) **Assignee:** **Dade Behring Inc.**, Deerfield, IL (US)

(**) **Term:** **14 Years**

(21) **Appl. No.:** **29/167,829**

(22) **Filed:** **Sep. 20, 2002**

(51) **LOC (7) Cl.** **24-02**

(52) **U.S. Cl.** **D24/224; D24/226**

(58) **Field of Search** D24/224, 216,
D24/226, 227; 422/102, 101, 63, 62, 58,
56, 57, 61, 64

(56) **References Cited**

U.S. PATENT DOCUMENTS

3,897,216 A	7/1975	Jones	23/259
D260,428 S	* 8/1981	Fekete	D24/226
D266,589 S	* 10/1982	Gilford et al.	D24/226
5,009,316 A	* 4/1991	Klein	D24/224
5,219,526 A	6/1993	Long	422/64
D365,153 S	* 12/1995	Robertson, Jr.	D24/224
5,501,982 A	* 3/1996	Saldivar et al.	422/73

D369,415 S	4/1996	Boulton et al.	D24/224
5,700,429 A	12/1997	Buhler et al.	422/104
5,788,928 A	* 8/1998	Carey et al.	422/102
5,996,818 A	12/1999	Boje et al.	211/74
6,156,275 A	12/2000	Dumitrescu et al.	422/104
6,156,575 A	12/2000	Fassbind et al.	436/50
6,190,617 B1	2/2001	Clark et al.	422/104
6,489,169 B1	12/2002	Cohen et al.	436/63

* cited by examiner

Primary Examiner—Ian Simmons

(74) *Attorney, Agent, or Firm*—Leland K Jordan

(57) **CLAIM**

The ornamental design for a multi-compartment reagent container for containing reagents, as shown and described.

DESCRIPTION

The present invention relates to a multi-compartment reagent container having means to prevent accidental re-use of reagents contained therein.

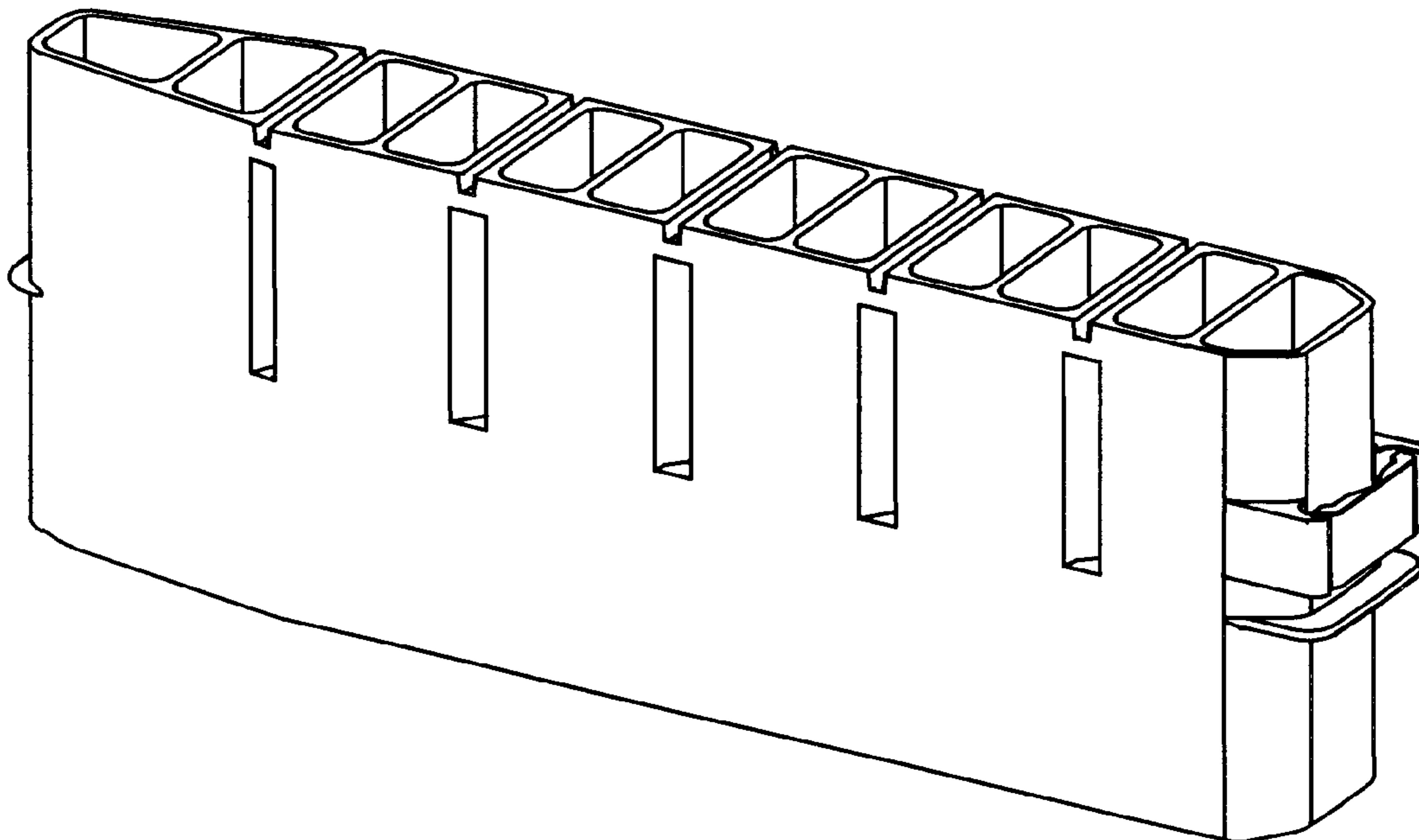
FIG. 1 is a top perspective view of the multi-compartment reagent container for containing reagents showing our new design;

FIG. 2 is a top plan view thereof;

FIG. 3 is a front perspective view thereof; and,

FIG. 4 is a bottom perspective view thereof.

1 Claim, 2 Drawing Sheets



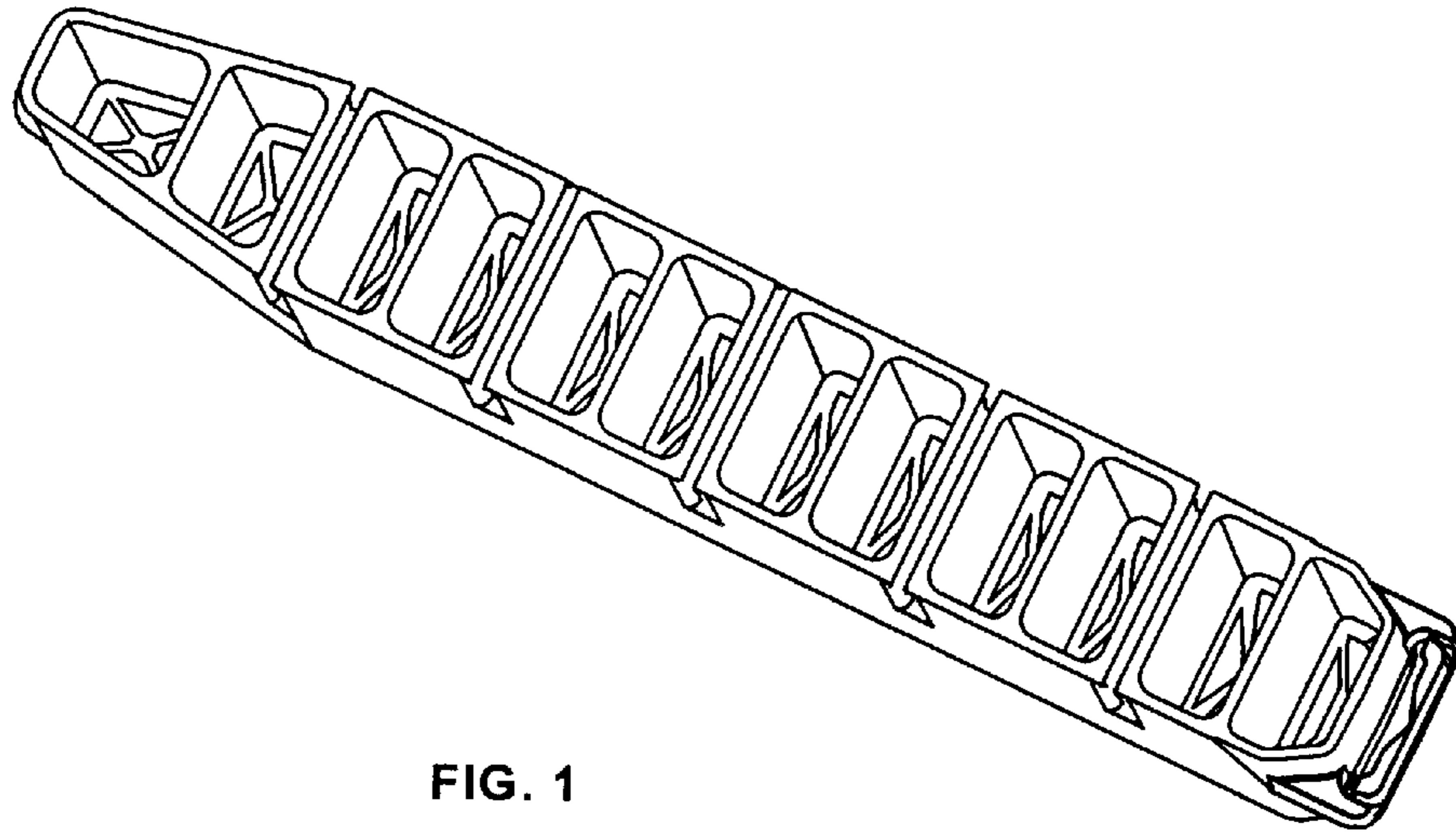


FIG. 1

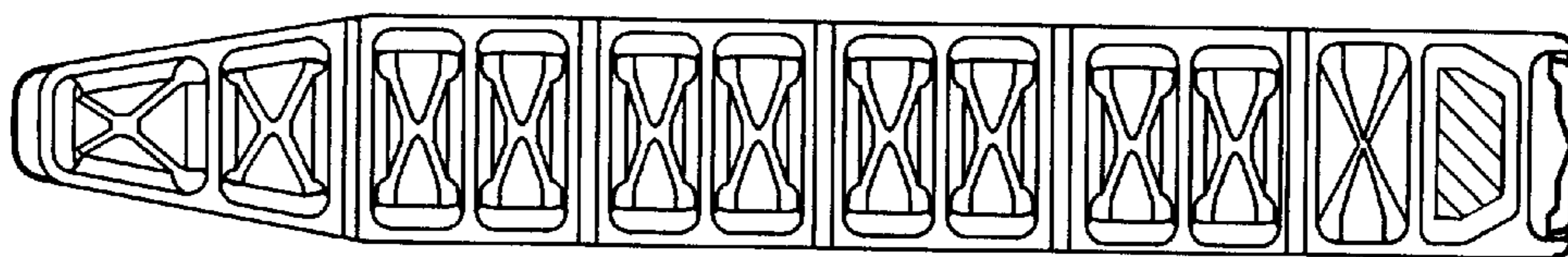


FIG. 2

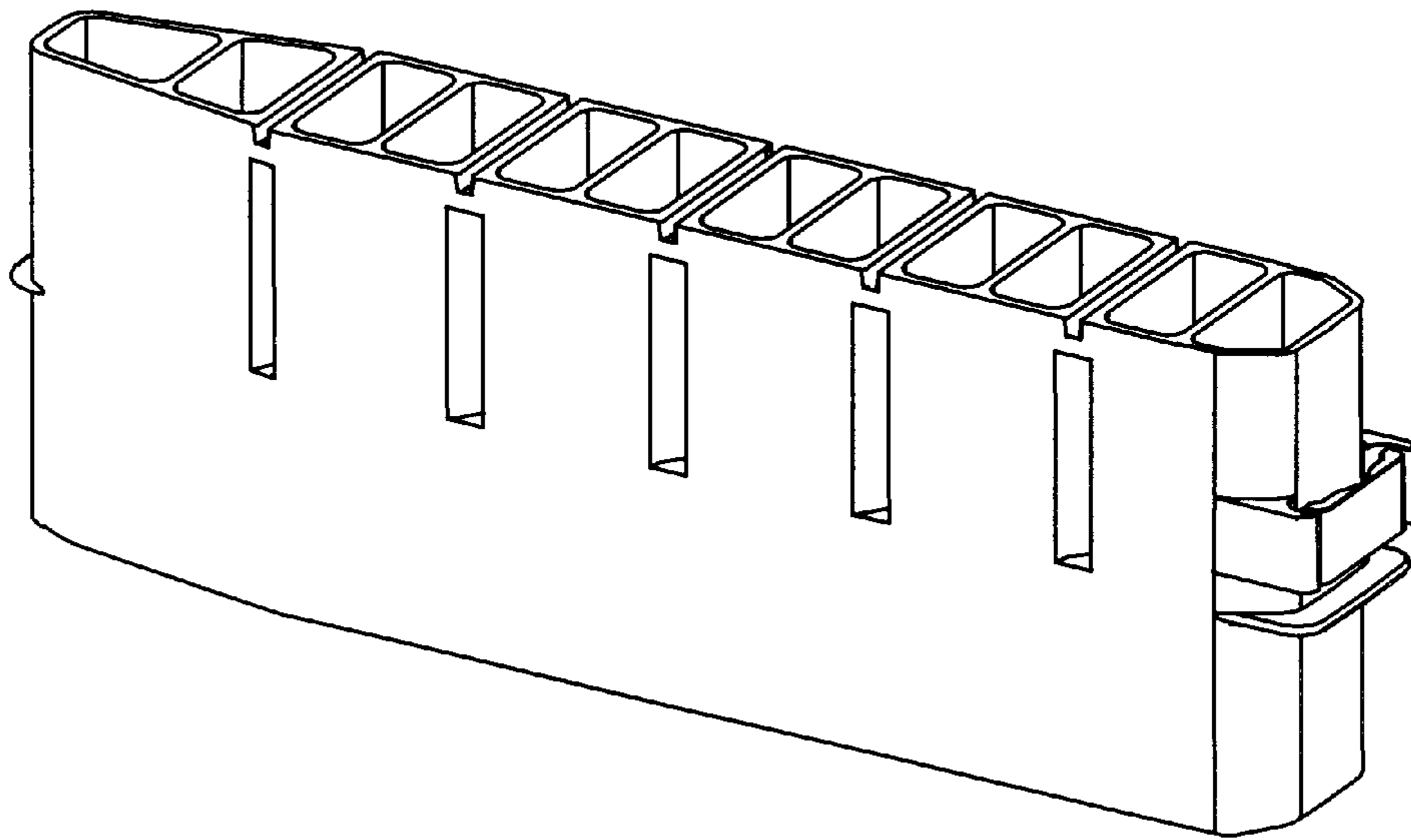


FIG. 3

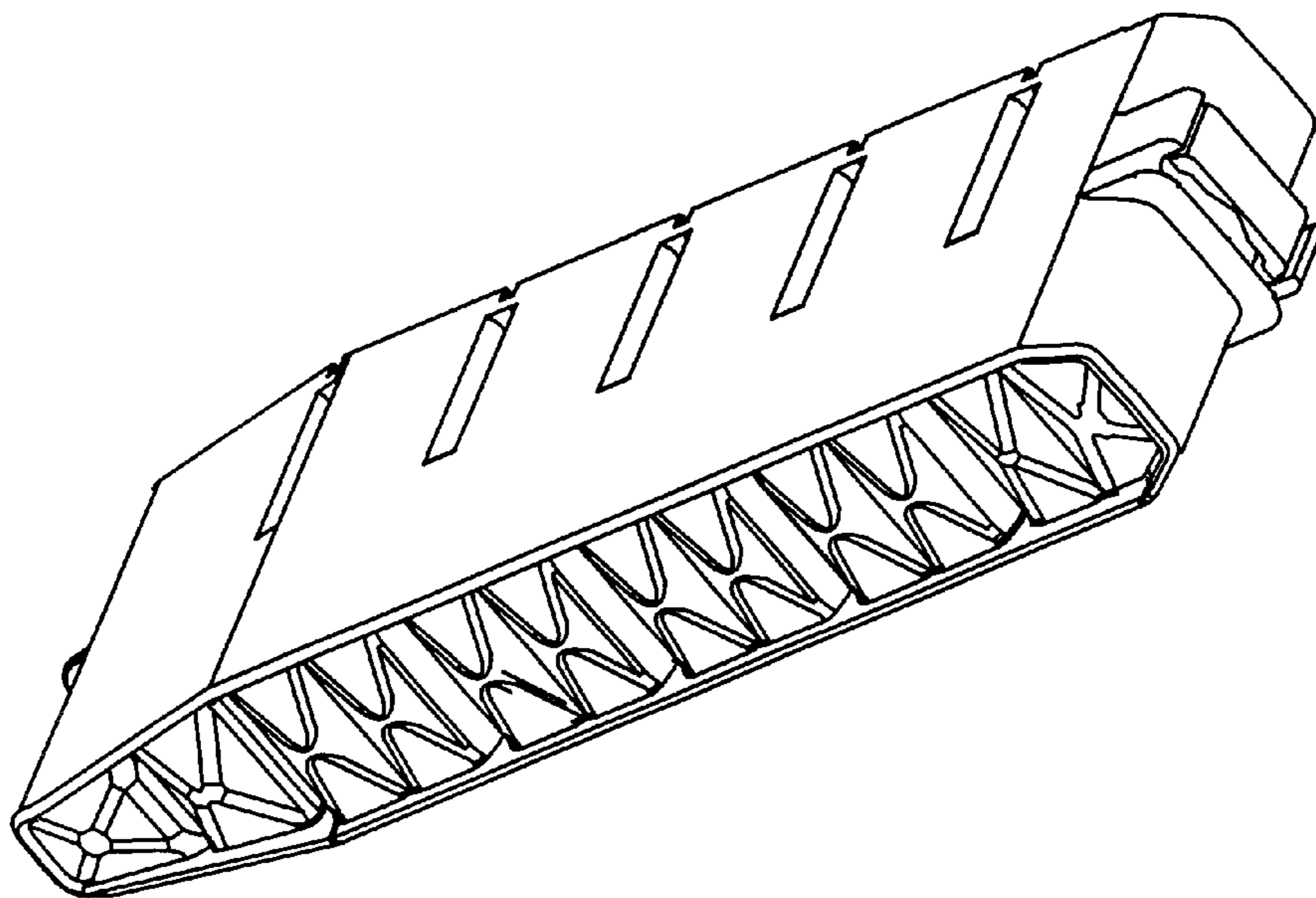


FIG. 4