



US00D482452S

(12) **United States Design Patent**
Davey et al.

(10) **Patent No.:** **US D482,452 S**

(45) **Date of Patent:** **** Nov. 18, 2003**

(54) **MONITOR FOR FETAL HEART BEAT OR THE LIKE**

(75) Inventors: **Andrew Davey**, London (GB); **Andrew Woolnough**, Whitstable (GB); **Andrew Head**, Old Woking (GB)

(73) Assignee: **Oxford Instruments Medical Limited**, Oxon (GB)

(**) Term: **14 Years**

(21) Appl. No.: **29/172,082**

(22) Filed: **Dec. 5, 2002**

(30) **Foreign Application Priority Data**

Jun. 6, 2002 (GB) 3004148

(51) **LOC (7) Cl.** **24-01**

(52) **U.S. Cl.** **D24/186**

(58) **Field of Search** D24/186, 167;
600/453, 437, 438, 440, 485, 508, 509,
511, 304

(56) **References Cited**

U.S. PATENT DOCUMENTS

D262,571 S * 1/1982 Francis D24/186

4,951,680 A * 8/1990 Kirk et al. 600/511

5,088,497 A * 2/1992 Ikeda 600/453

D329,701 S * 9/1992 Rogler D24/167

6,093,151 A * 7/2000 Shine et al. 600/485

D443,931 S * 6/2001 Davey D24/186

* cited by examiner

Primary Examiner—Stella Reid

(74) *Attorney, Agent, or Firm*—Hoffmann & Baron, LLP

(57) **CLAIM**

The ornamental design for a monitor for fetal heart beat or the like, as shown and described.

DESCRIPTION

FIG. 1 is a perspective view of a monitor for fetal heartbeat or the like, embodying our new design;

FIG. 2 is a front elevational view thereof;

FIG. 3 is a top plan view thereof;

FIG. 4 is a rear elevational view thereof;

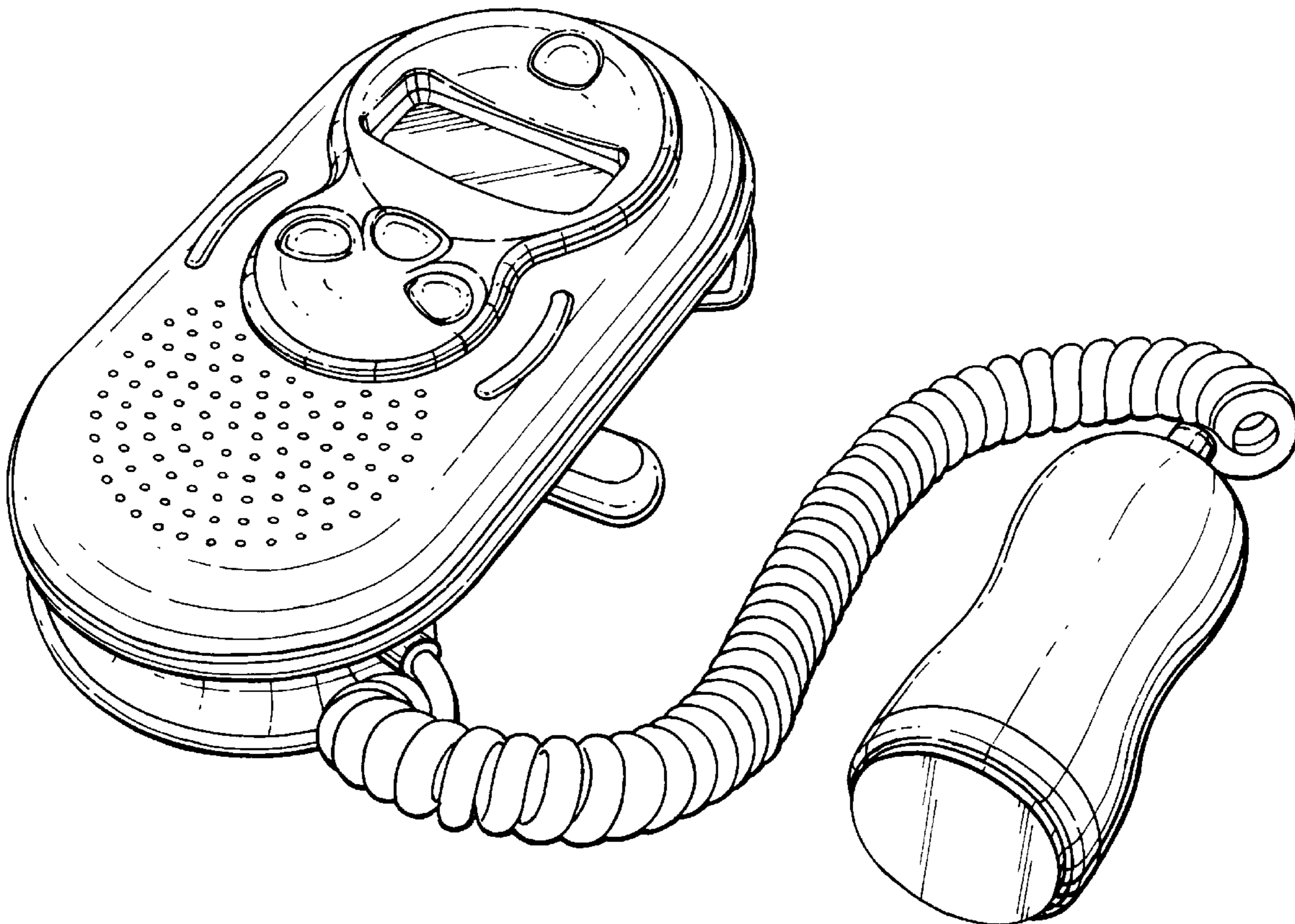
FIG. 5 is a bottom plan view thereof;

FIG. 6 is a right side elevational view thereof;

FIG. 7 is a left side elevational view thereof; and,

FIG. 8 is a perspective view thereof, in an alternate position.

1 Claim, 5 Drawing Sheets



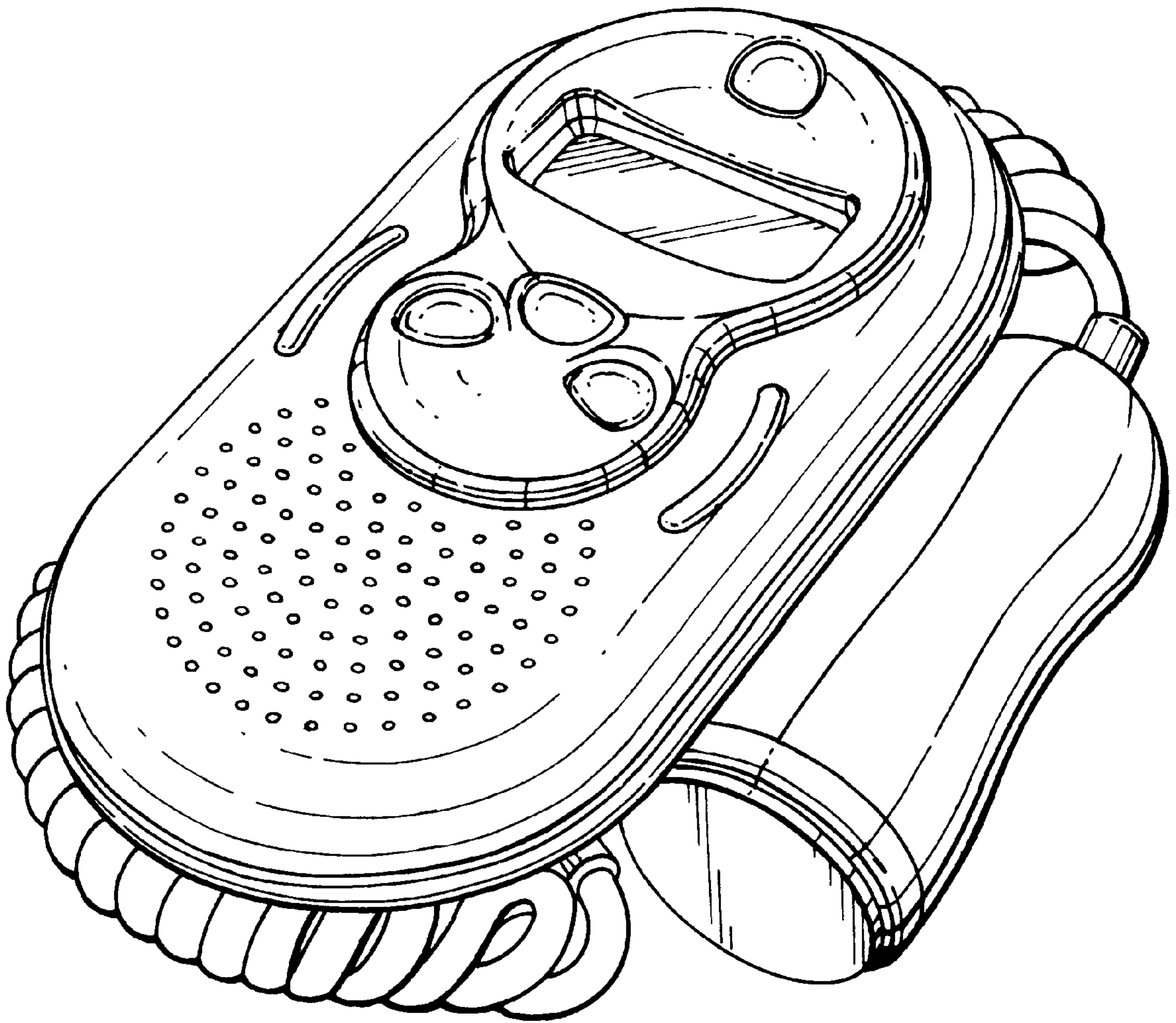


Fig.1.

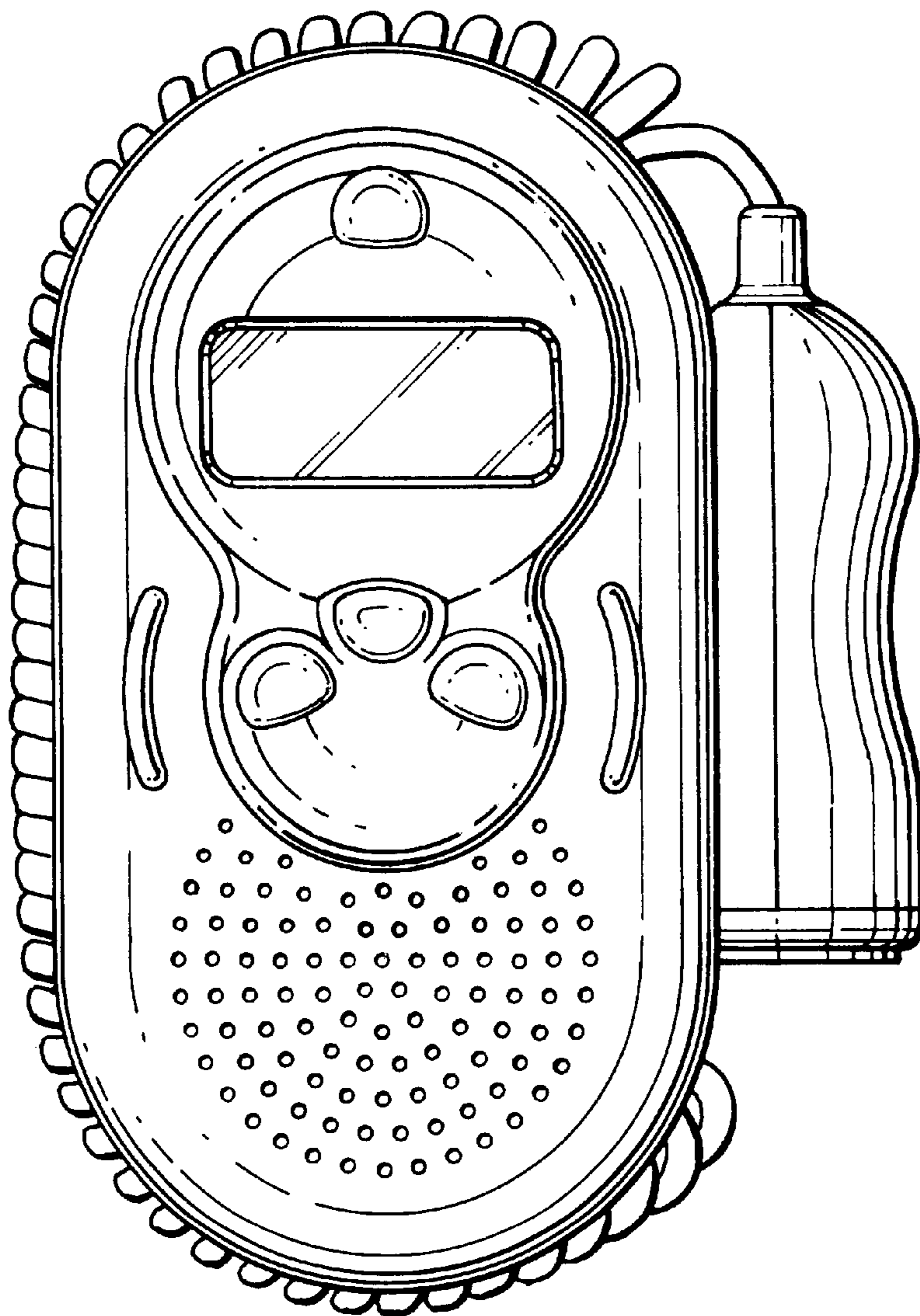


Fig.2.

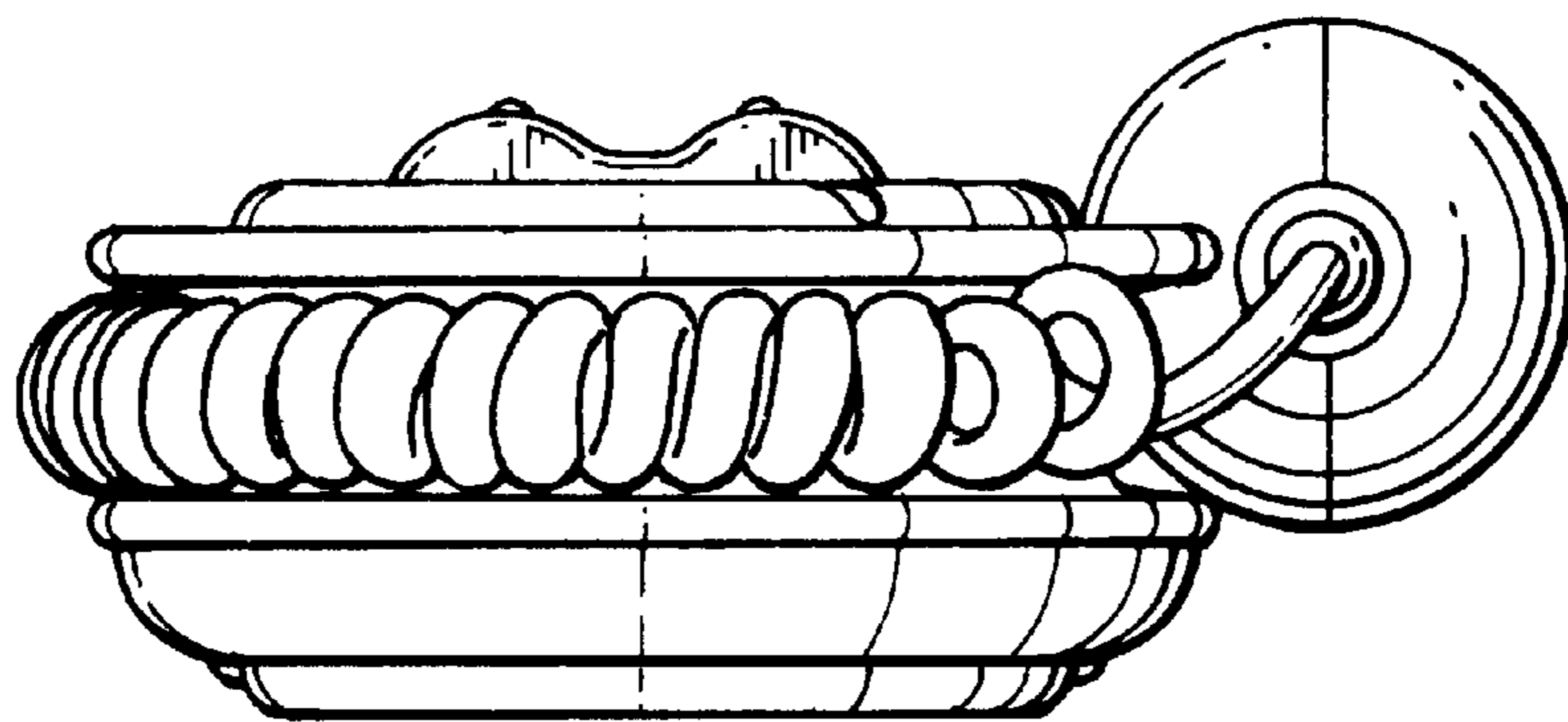


Fig.3.

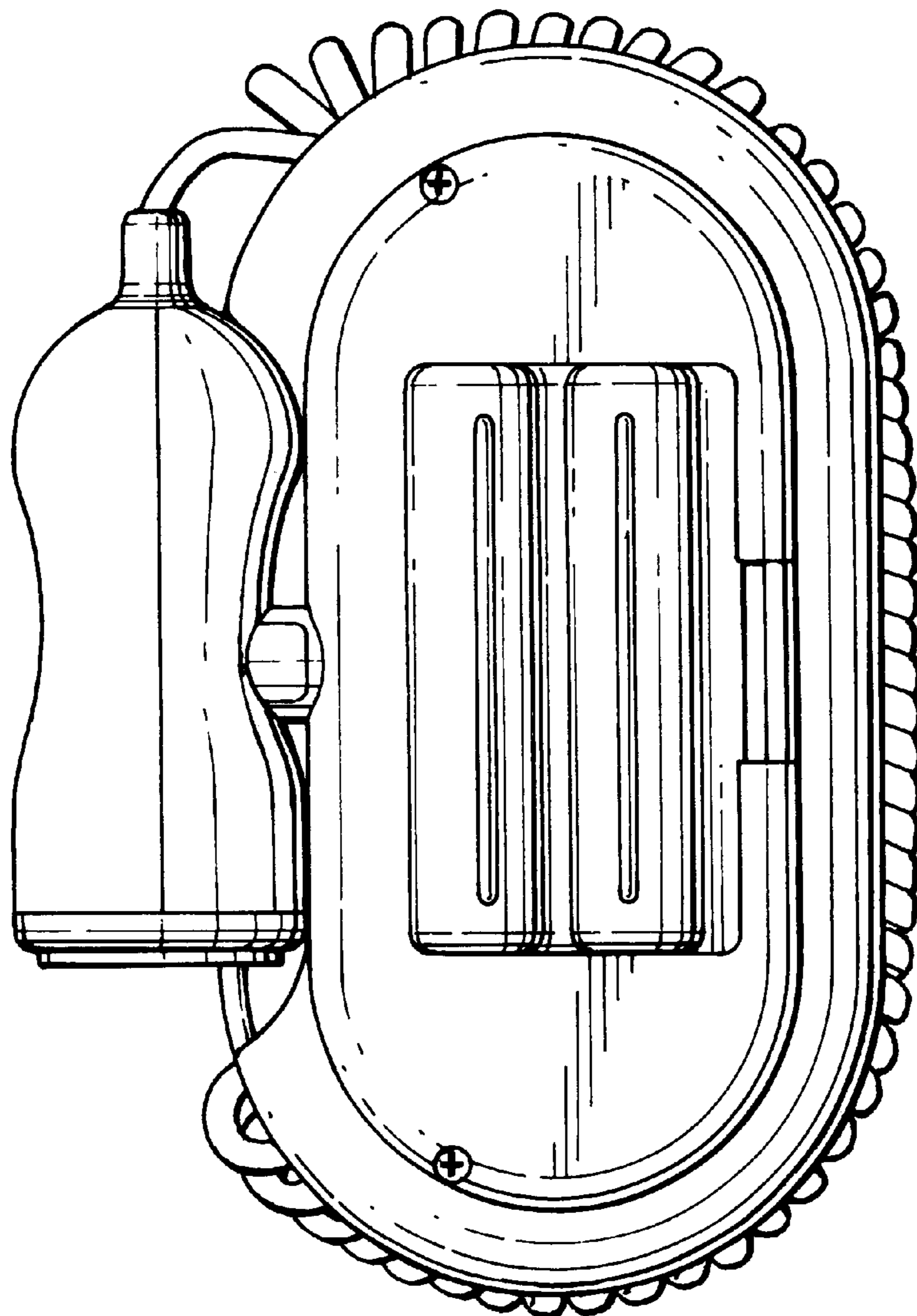


Fig.4.

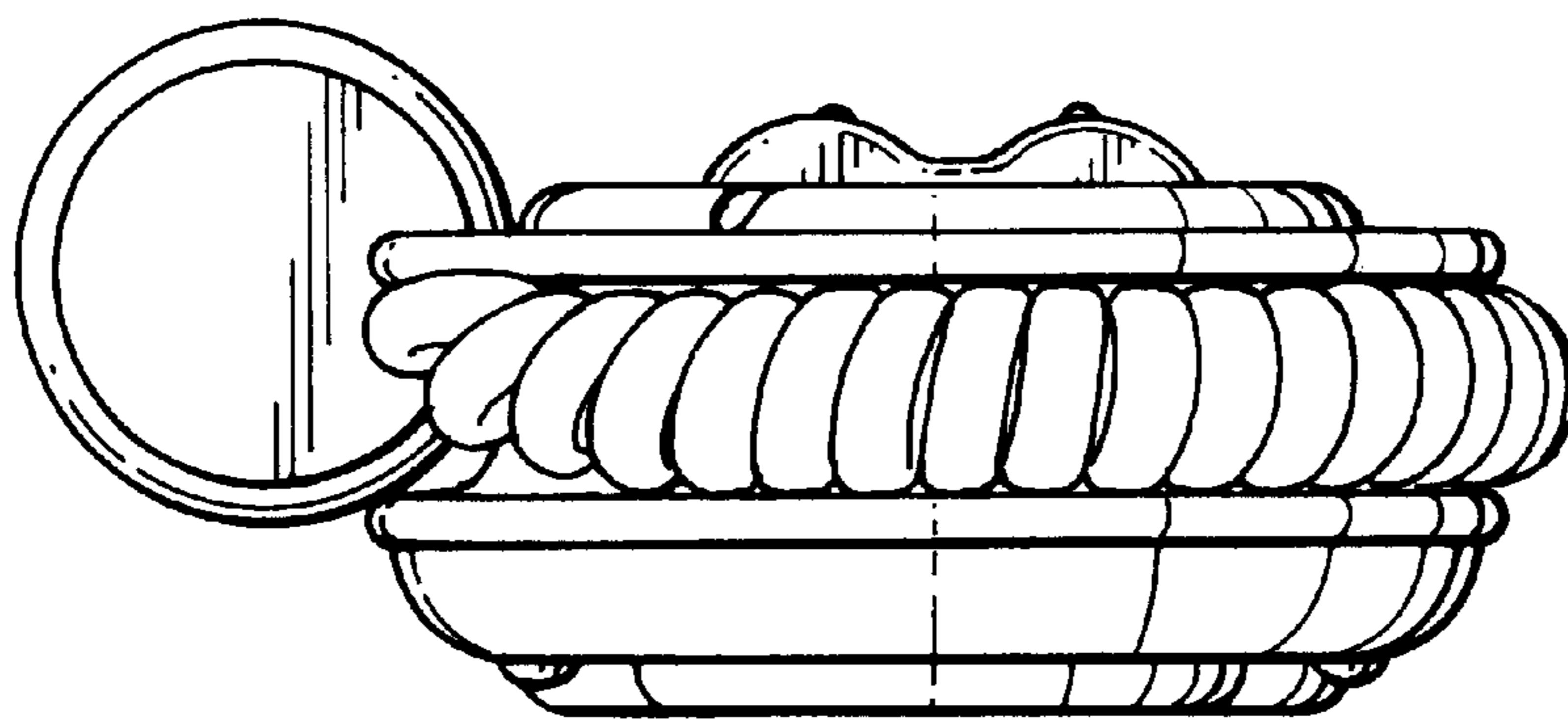


Fig.5.

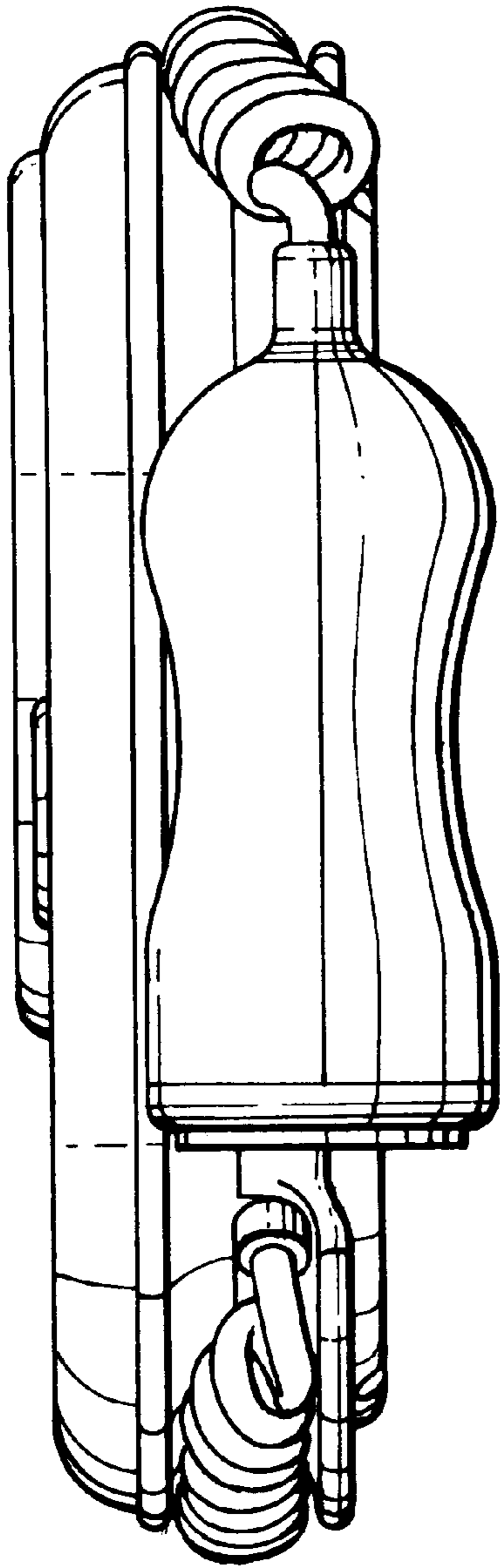


Fig. 6.

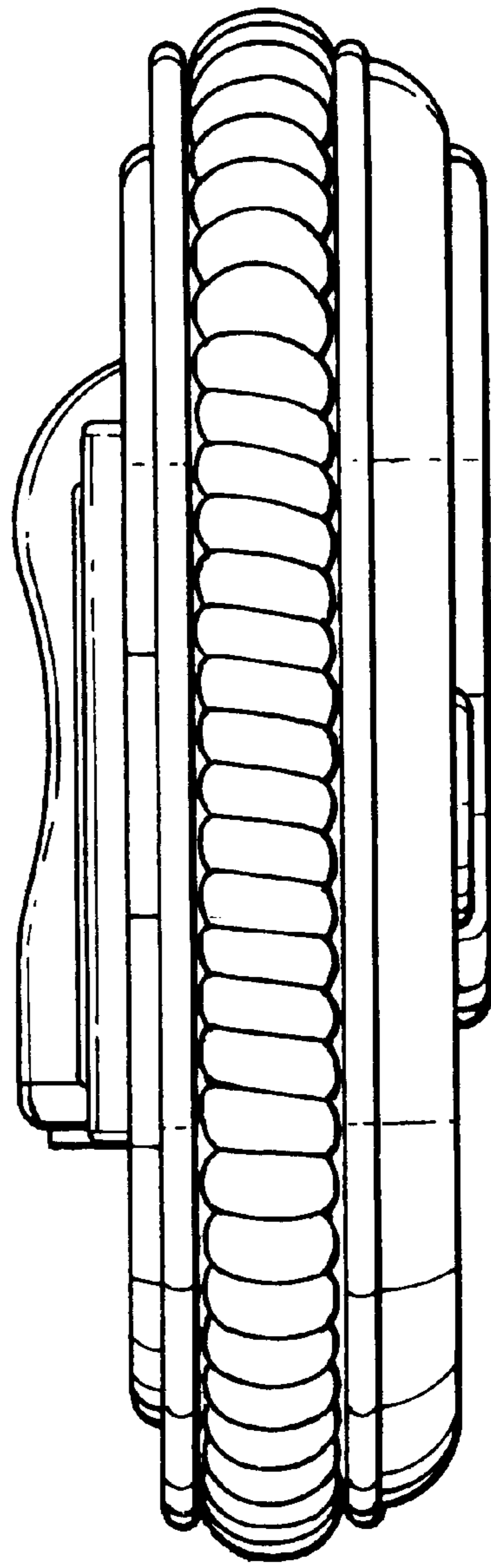


Fig. 7.

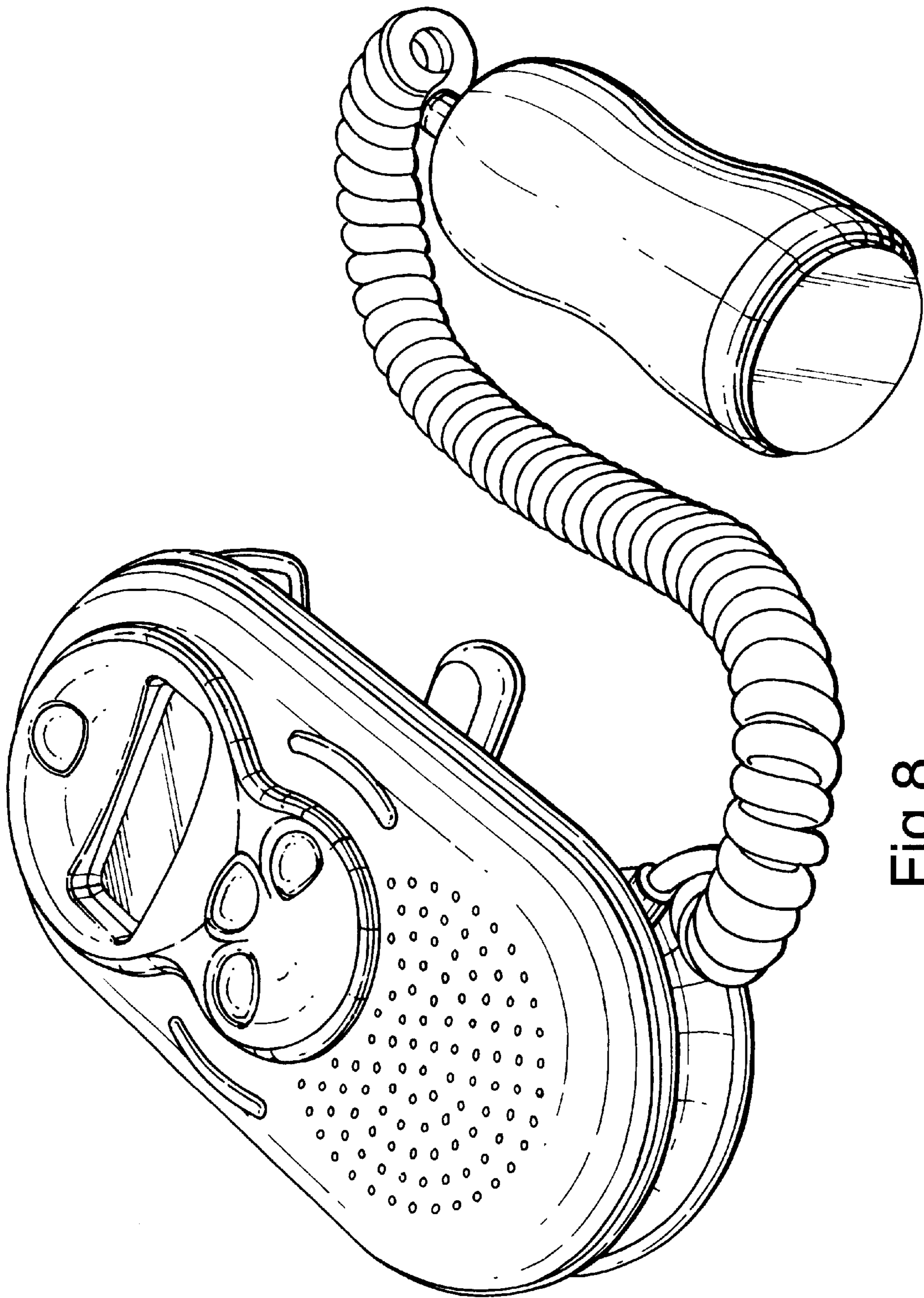


Fig.8.