



US00D482451S

(12) **United States Design Patent**
Page et al.

(10) **Patent No.:** **US D482,451 S**

(45) **Date of Patent:** **** Nov. 18, 2003**

(54) **DENTAL HYGIENE CENTER**

(76) Inventors: **Bliss Essence Page**, 1125 Ocean Dr.,
Oxnard, CA (US) 93035; **William**
Clark Page, 1125 Ocean Dr., Oxnard,
CA (US) 93035

(**) Term: **14 Years**

(21) Appl. No.: **29/170,702**

(22) Filed: **Nov. 12, 2002**

(51) **LOC (7) Cl.** **24-04**

(52) **U.S. Cl.** **D24/176**

(58) **Field of Search** D24/176; 206/362.2,
206/362.3, 209.1; 132/310, 308, 39, 309

(56) **References Cited**

U.S. PATENT DOCUMENTS

D351,661 S * 10/1994 Fischer D24/176 X

5,860,522 A * 1/1999 Lee 206/362.2

D441,090 S * 4/2001 Broyles D24/176

D444,567 S * 7/2001 Tang D24/176 X

* cited by examiner

Primary Examiner—Antoine Duval Davis

(74) *Attorney, Agent, or Firm*—Jeffrey Furr

(57) **CLAIM**

The ornamental design for a dental hygiene center, as shown.

DESCRIPTION

FIG. 1 is a front elevational view of a dental hygiene center showing my new design;

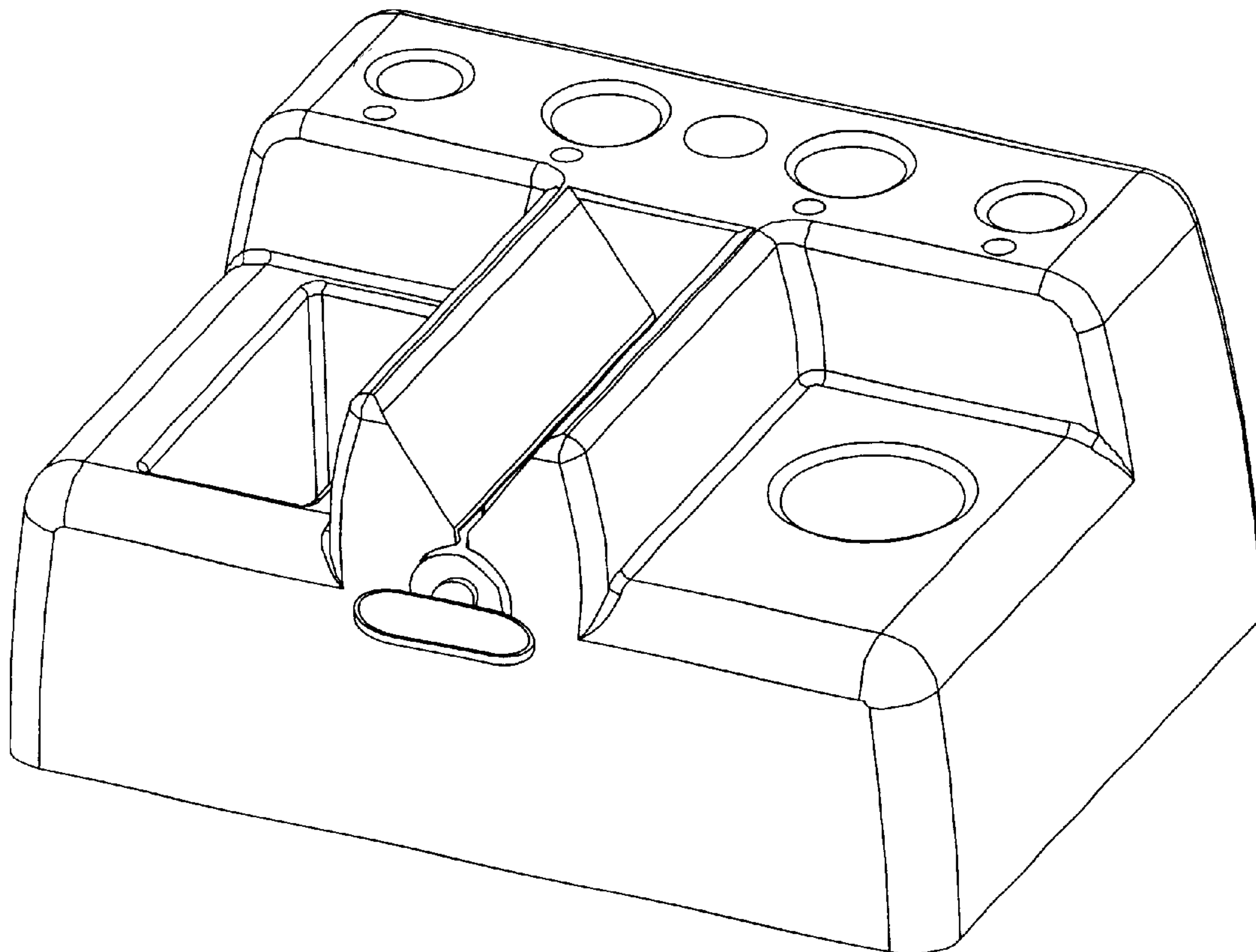
FIG. 2 is a back elevational view thereof;

FIG. 3 is top view thereof;

FIG. 4 is back view thereof; and,

FIG. 5 is a front view thereof.

1 Claim, 5 Drawing Sheets



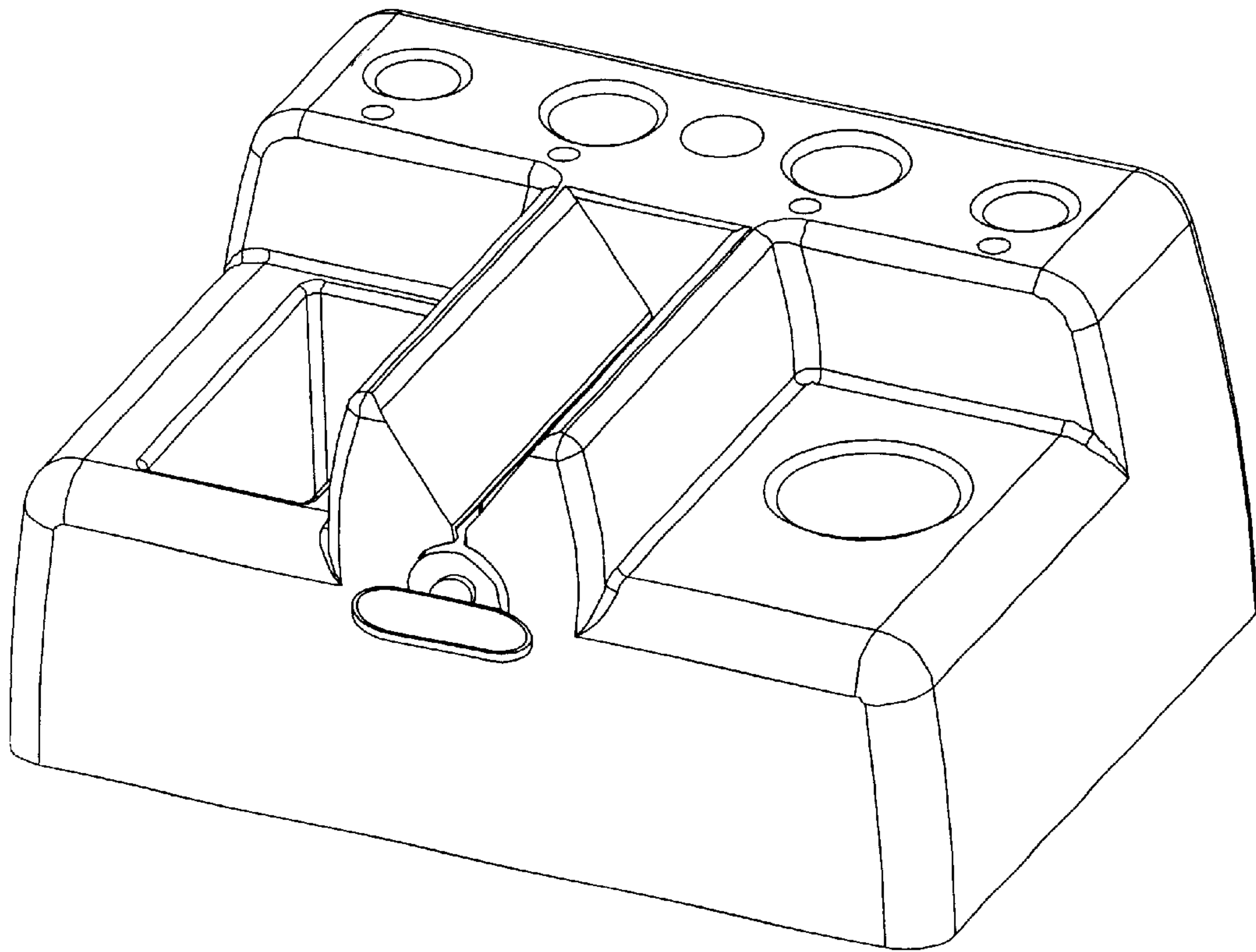


Fig. 1

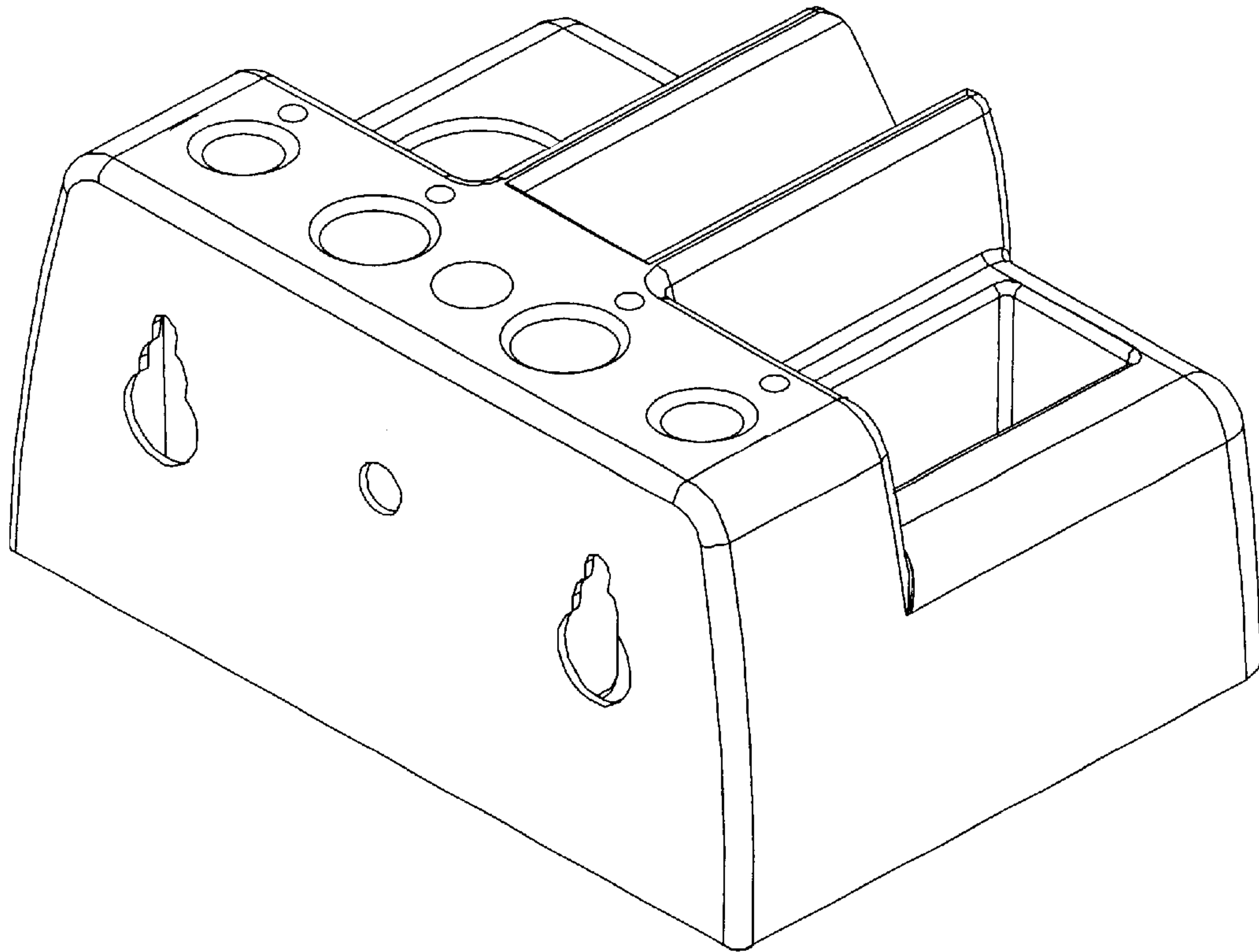


Fig. 2

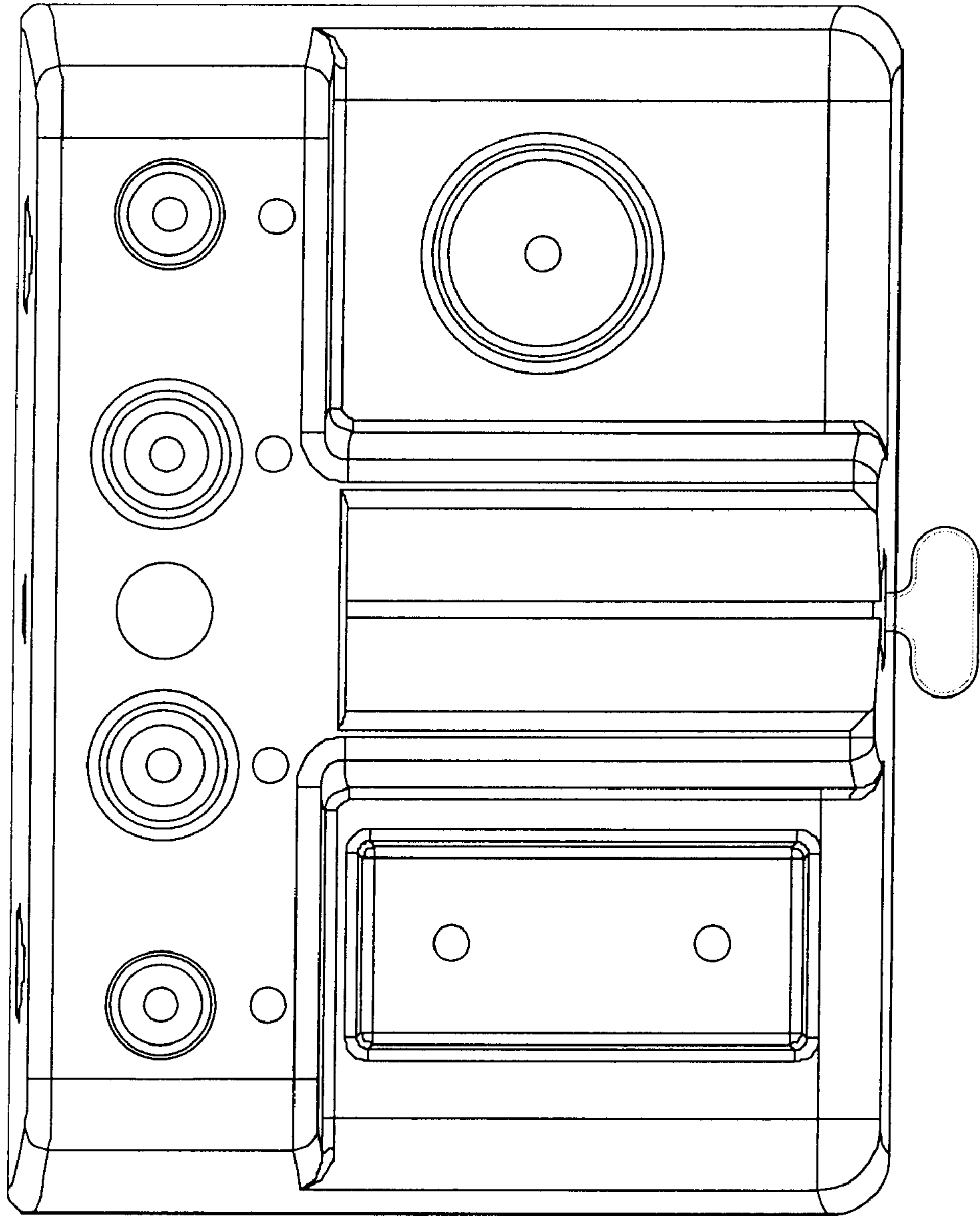


Fig. 3

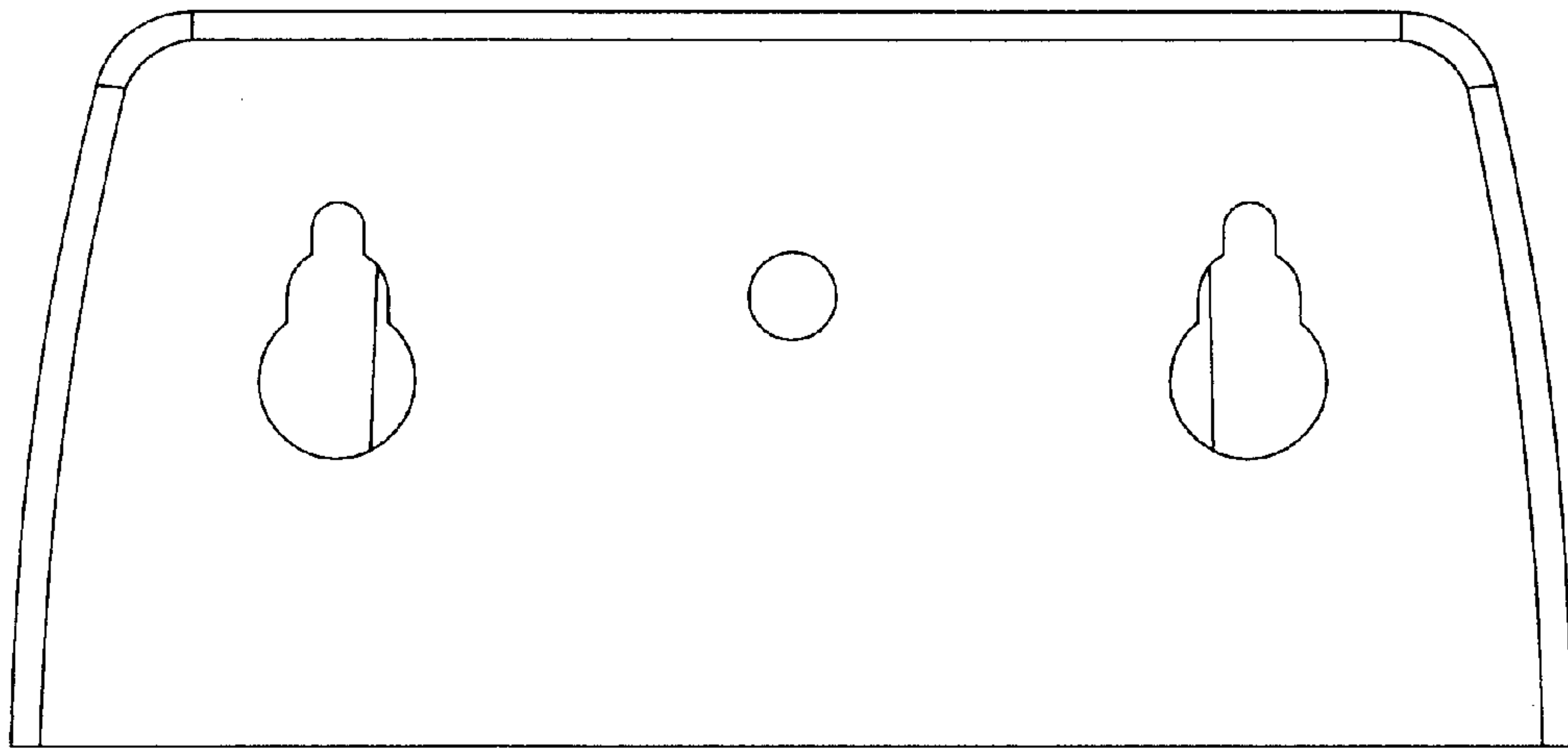


Fig. 4

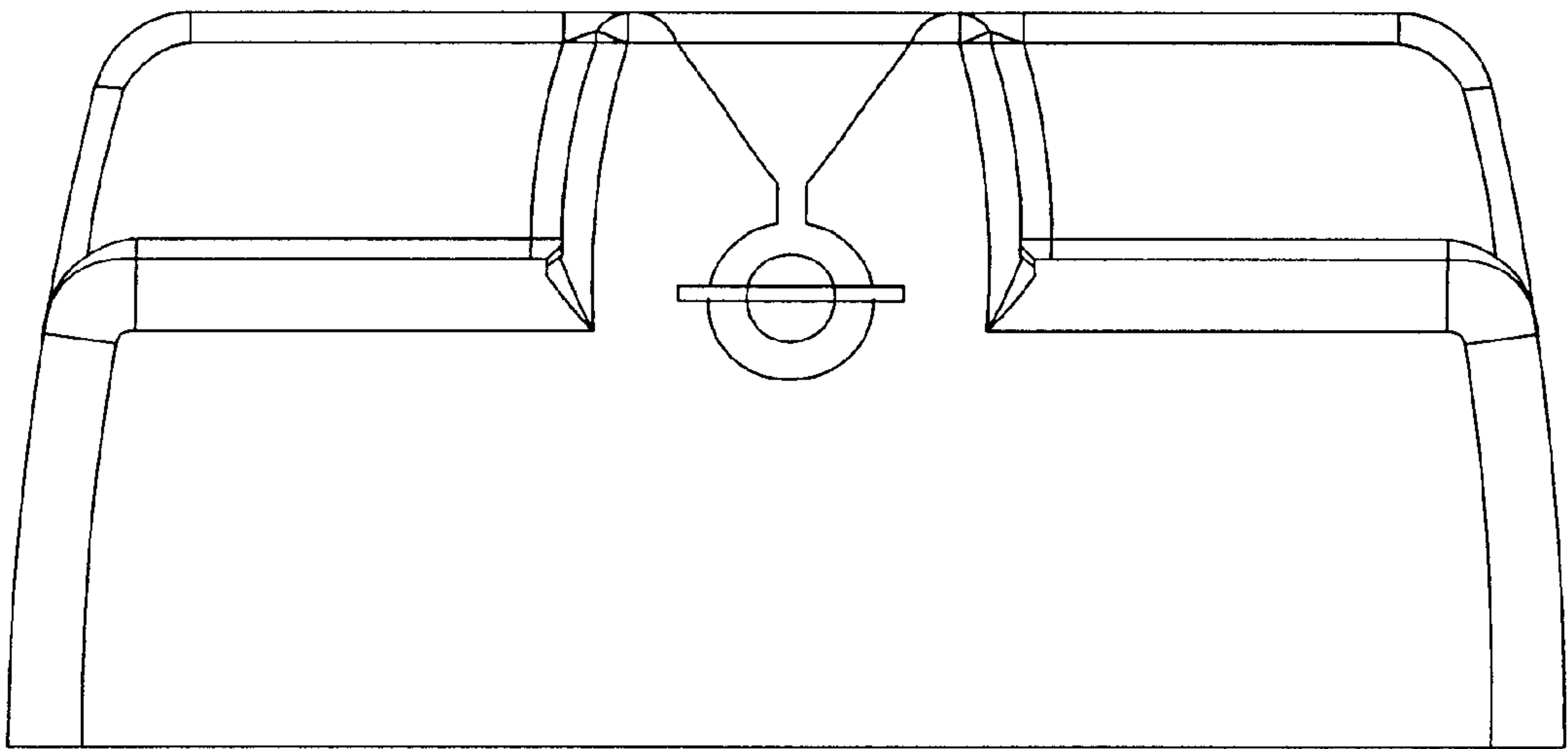


Fig. 5