



US00D482448S

(12) **United States Design Patent**
Crawford

(10) **Patent No.:** **US D482,448 S**

(45) **Date of Patent:** **** Nov. 18, 2003**

(54) **NEEDLE DISPOSAL CONTAINER**

(75) **Inventor:** **Jamieson William Maclean Crawford,**
New York, NY (US)

(73) **Assignee:** **Becton, Dickinson and Company,**
Franklin Lakes, NJ (US)

(**) **Term:** **14 Years**

(21) **Appl. No.:** **29/161,339**

(22) **Filed:** **May 24, 2002**

(51) **LOC (7) Cl.** **24-02**

(52) **U.S. Cl.** **D24/131**

(58) **Field of Search** D24/131; D34/5,
D34/6, 7, 8, 9, 1; 206/366, 365, 370, 364,
363, 367

(56) **References Cited**

U.S. PATENT DOCUMENTS

5,322,164 A * 6/1994 Richardson et al. 206/366

5,402,887 A * 4/1995 Shillington 206/366

D360,062 S * 7/1995 Mosior D24/131

5,857,569 A * 1/1999 Hoftman et al. 206/366

6,253,916 B1 * 7/2001 Bickel 206/366

D447,233 S * 8/2001 Bickel et al. D24/131

* cited by examiner

Primary Examiner—Ian Simmons

(74) *Attorney, Agent, or Firm*—Anthony J. Casella; Gerald
E. Hespos

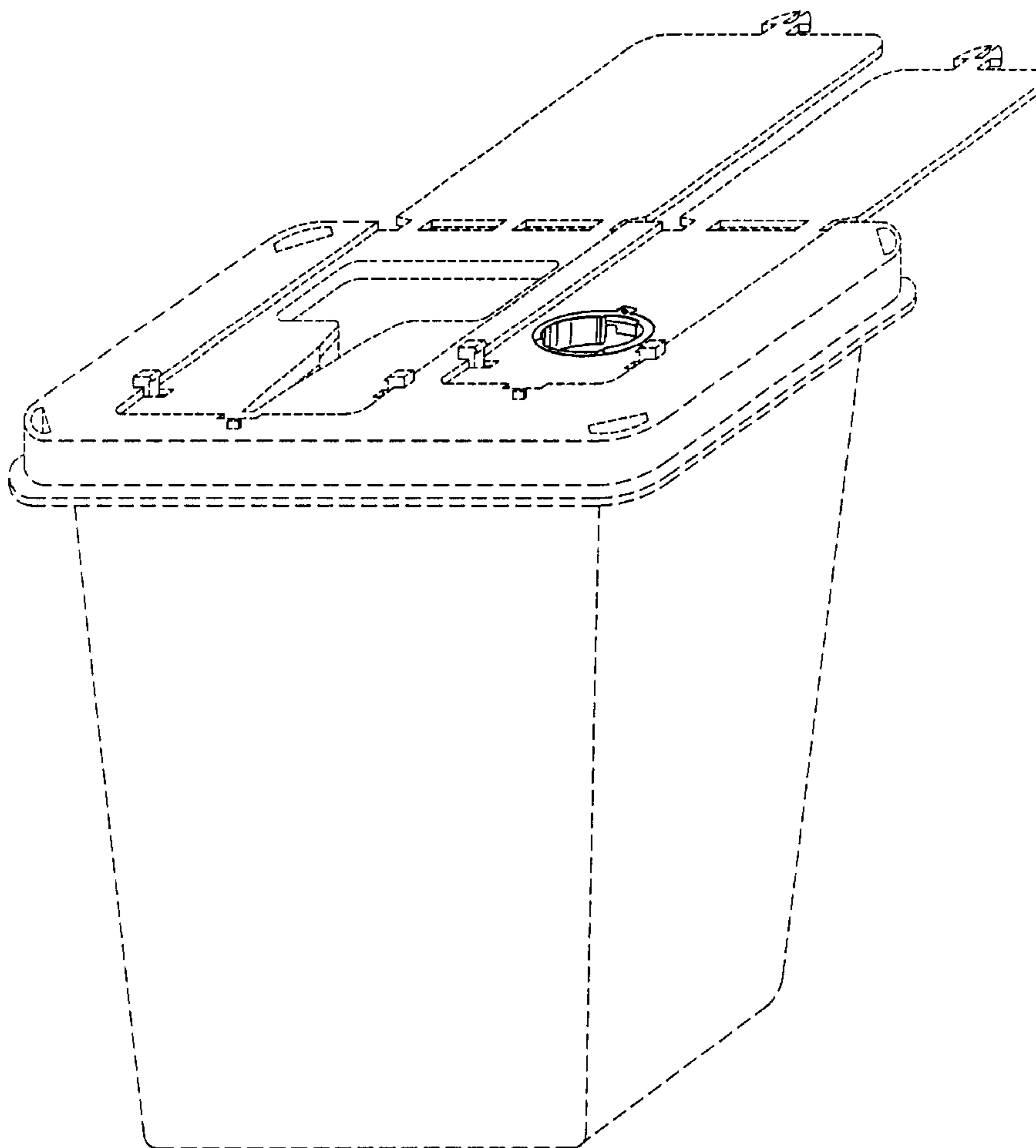
(57) **CLAIM**

The ornamental design of a needle disposal container, as
shown and described.

DESCRIPTION

FIG. 1 is a perspective view of the needle disposal container
of the subject invention; and,
FIG. 2 is a top plan view thereof.

1 Claim, 2 Drawing Sheets



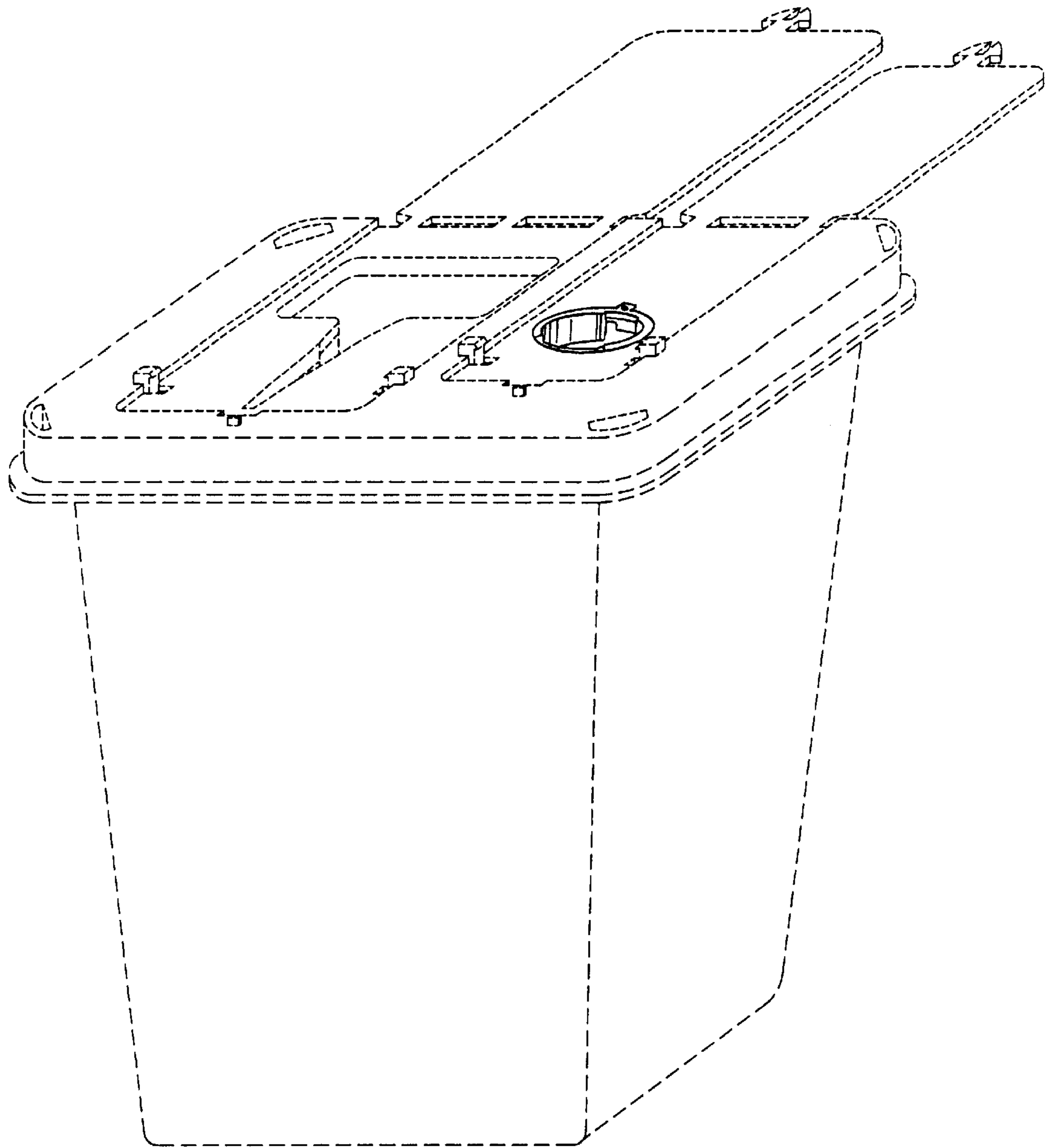


FIG. 1

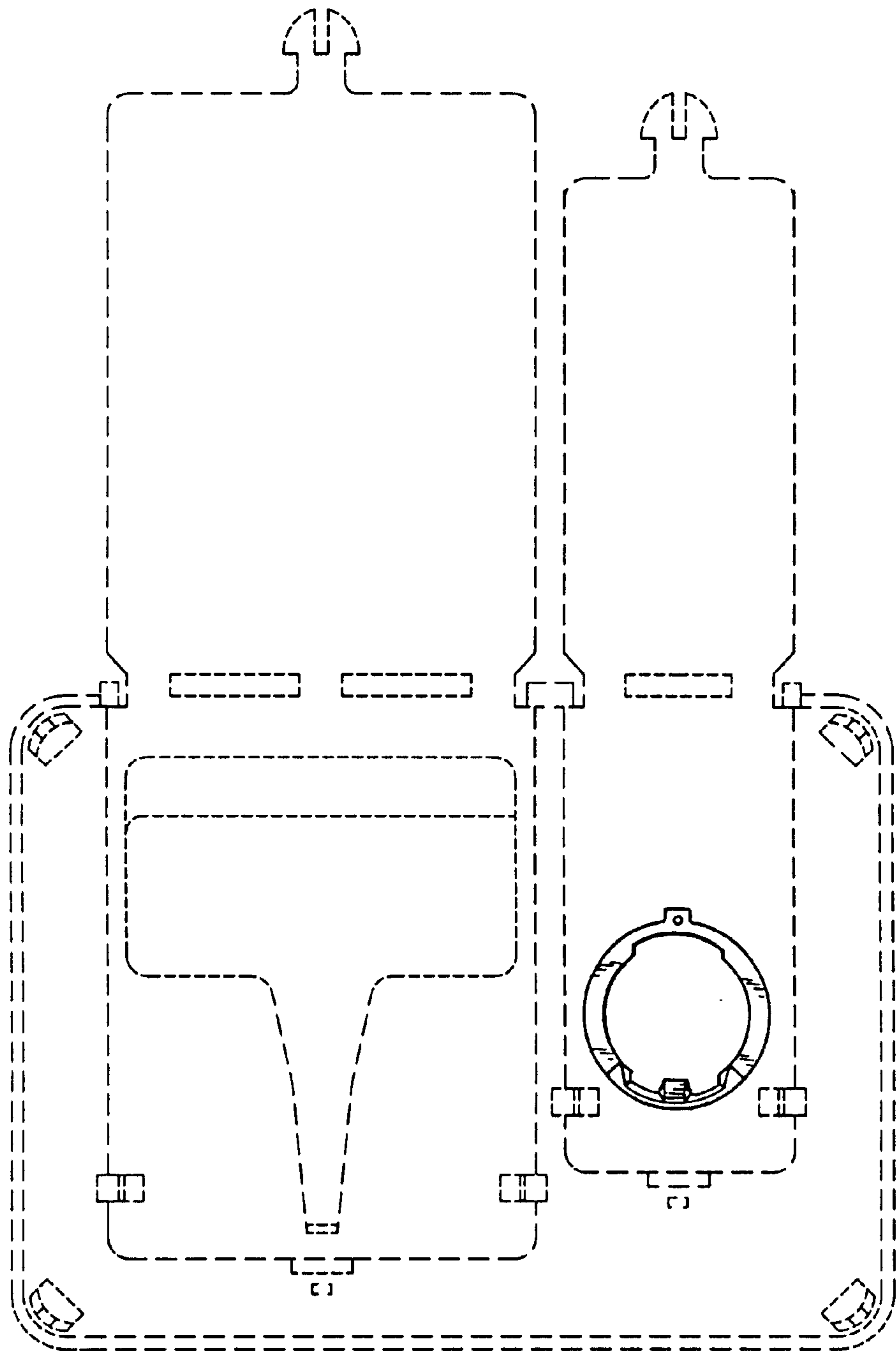


FIG. 2