



US00D482440S

(12) **United States Design Patent**
Wilson, Jr.

(10) **Patent No.:** **US D482,440 S**

(45) **Date of Patent:** **** Nov. 18, 2003**

(54) **GRILL FOR A BOX FAN**

(75) Inventor: **Rodney A. Wilson, Jr.**, Boothwyn, PA
(US)

(73) Assignee: **Lasko Holding, Inc.**, Wilmington, DE
(US)

(**) Term: **14 Years**

(21) Appl. No.: **29/164,463**

(22) Filed: **Jul. 25, 2002**

(51) **LOC (7) Cl.** **23-04**

(52) **U.S. Cl.** **D23/412**

(58) **Field of Search** D23/370, 412,
D23/381; 416/247 R, 246

(56) **References Cited**

U.S. PATENT DOCUMENTS

D408,907 S * 4/1999 Moreno D23/412

D413,685 S * 9/1999 Lasko et al. D23/381

* cited by examiner

Primary Examiner—Lisa Lichtenstein
(74) *Attorney, Agent, or Firm*—RatnerPrestia

(57) **CLAIM**

The ornamental design for a grill for a box fan, as shown and described.

DESCRIPTION

FIG. 1 is a right side front perspective view of a grill for a box fan showing my new design;

FIG. 2 is a front elevation view thereof;

FIG. 3 is a top plan view thereof;

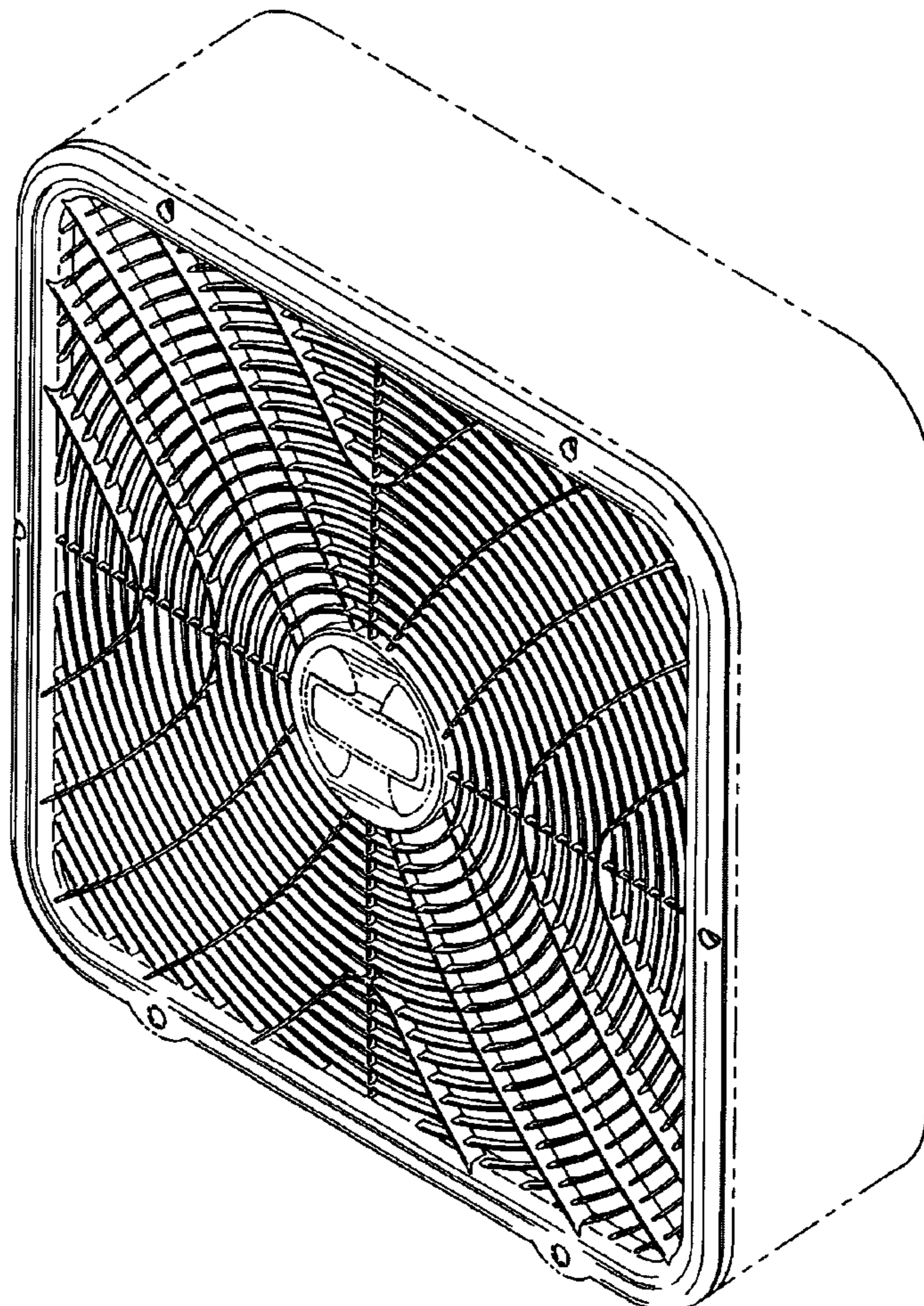
FIG. 4 is a side elevation view thereof, the opposite side being a mirror image of that shown;

FIG. 5 is a bottom plan view thereof; and,

FIG. 6 is a rear elevation view thereof.

The broken line showing of environmental structure in FIGS. 1, 2 and 5 is for illustrative purposes only and forms no part of the claimed design.

1 Claim, 3 Drawing Sheets



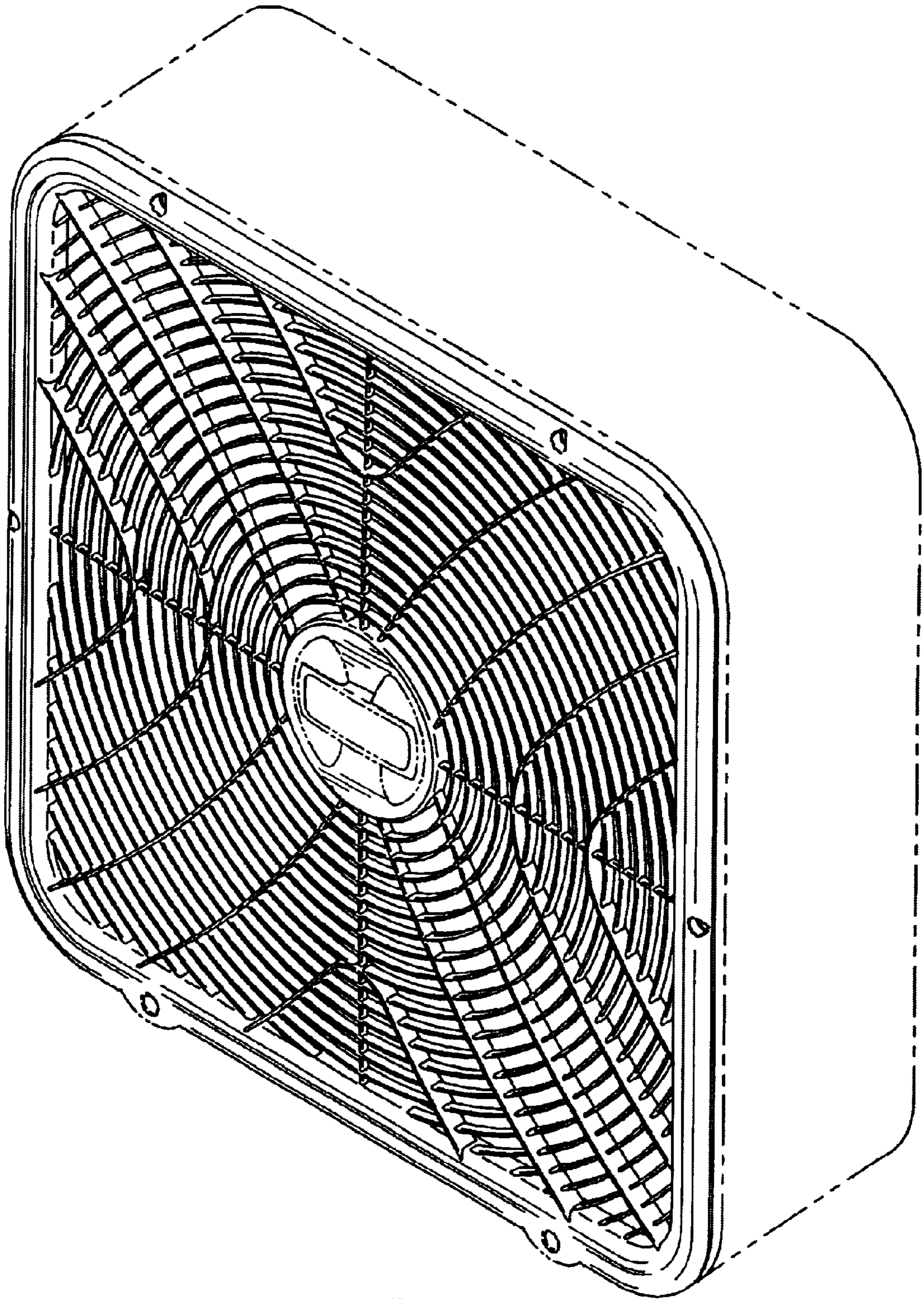


FIG. 1

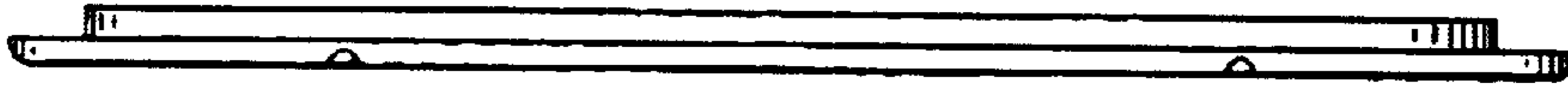


FIG. 3

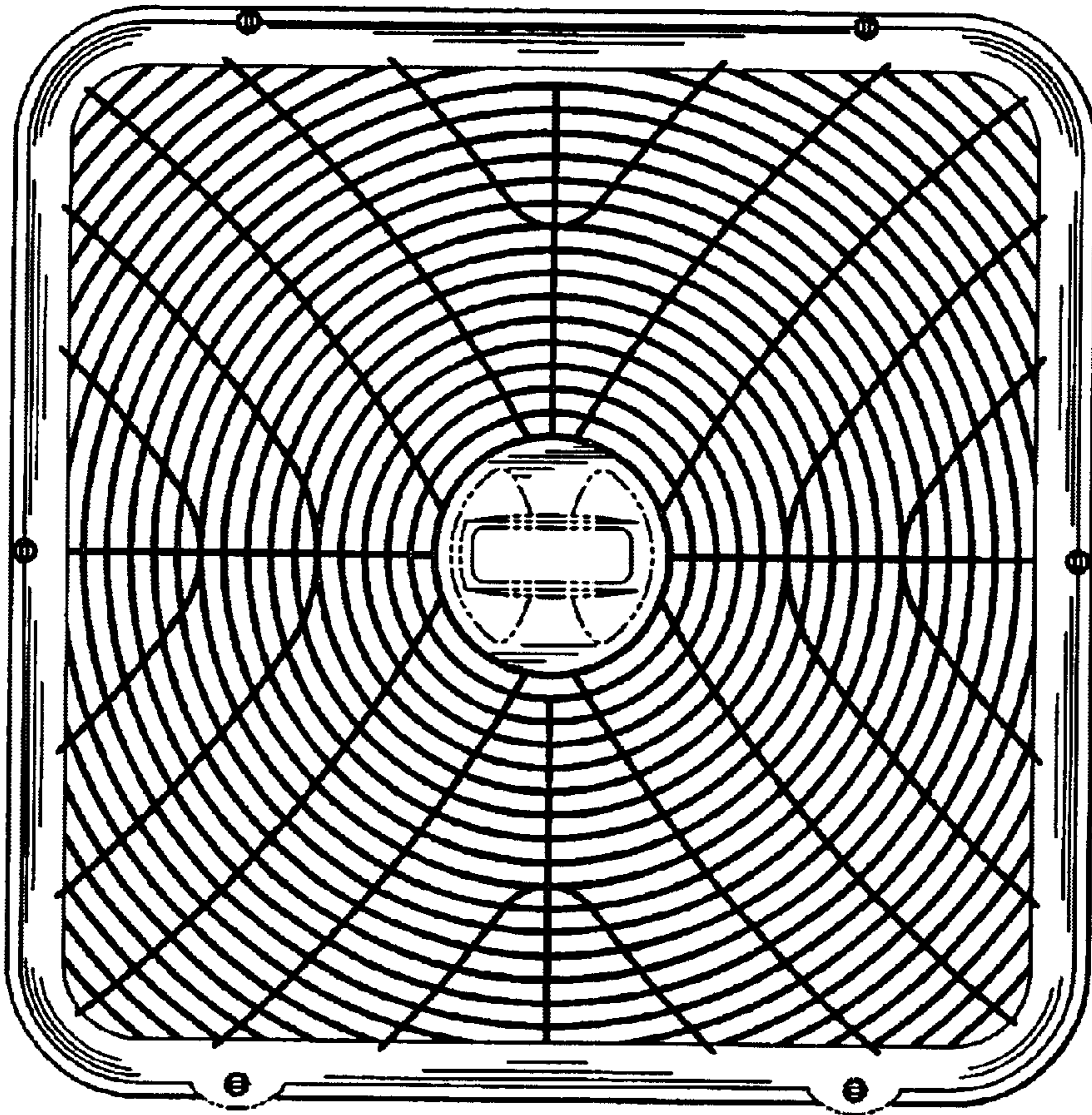


FIG. 2



FIG. 4

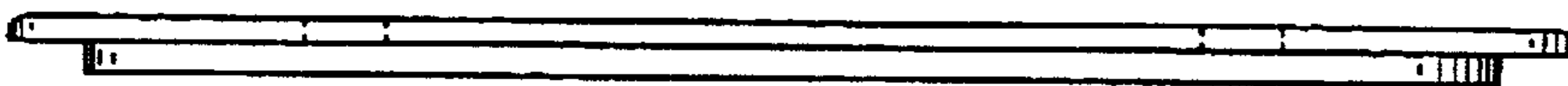


FIG. 5

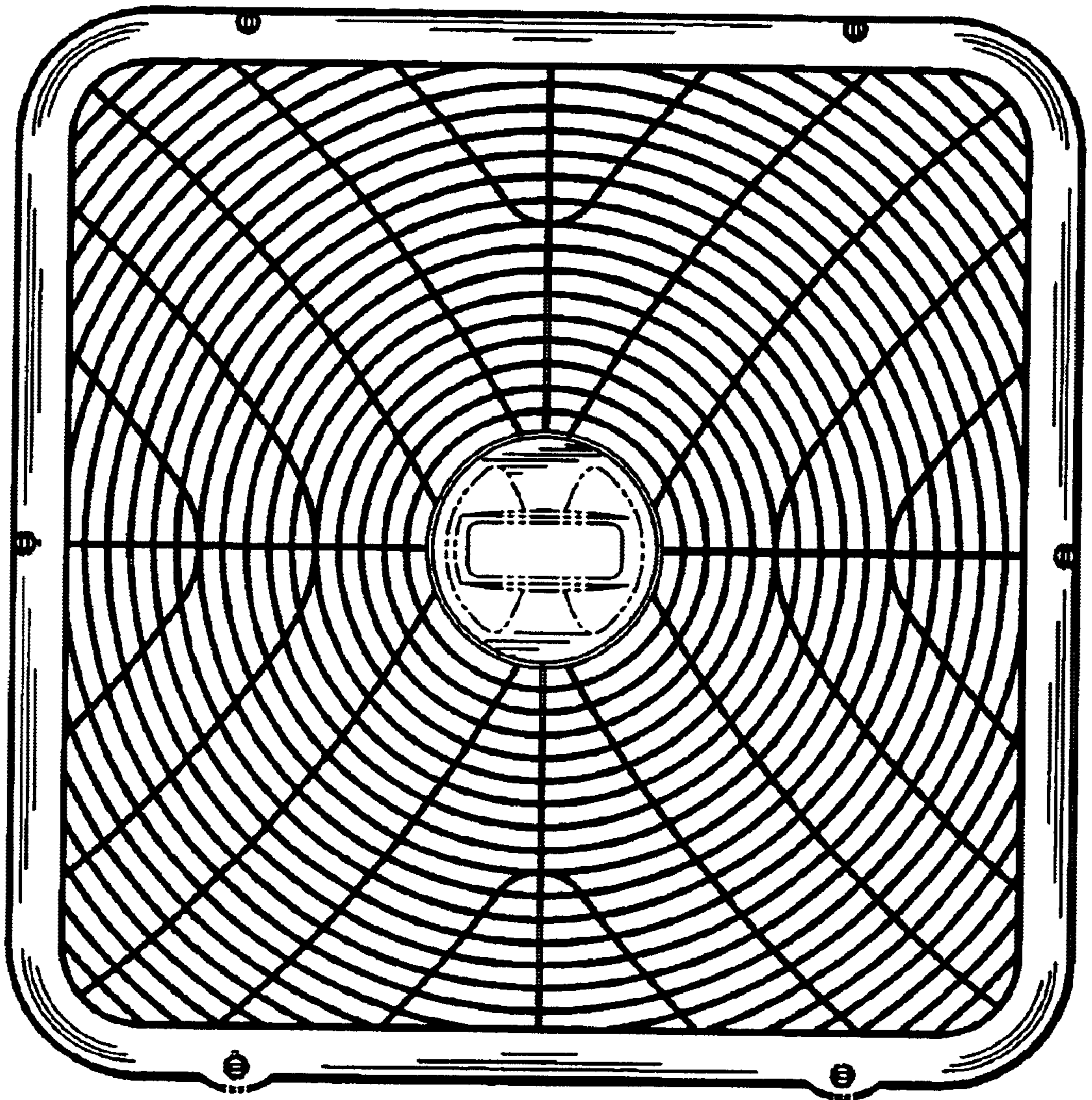


FIG. 6