



US00D482439S

(12) **United States Design Patent**
Huang

(10) **Patent No.:** **US D482,439 S**

(45) **Date of Patent:** **** Nov. 18, 2003**

(54) **CEILING FAN MOTOR HOUSING**

(75) Inventor: **Hsiao-ching Huang**, Memphis, TN
(US)

(73) Assignee: **Hunter Fan Company**, Memphis, TN
(US)

(**) Term: **14 Years**

(21) Appl. No.: **29/164,340**

(22) Filed: **Jul. 22, 2002**

(51) **LOC (7) Cl.** **23-04**

(52) **U.S. Cl.** **D23/411**

(58) **Field of Search** D23/411, 377,
D23/379, 385; 416/5; 392/364

(56) **References Cited**

U.S. PATENT DOCUMENTS

D377,084 S * 12/1996 DiPasquale D23/411

OTHER PUBLICATIONS

Hunter 2001 Ceiling Fan Selection & Special Order Guide
(The Avignon, The Regalia, The Brunswick, The Sea Air)
Casablanca Fan Company Year 2000 Priduct Catalog (The

Capistrano—p. 35, The Estrada—p. 44, The Agean—cover
pg.).

* cited by examiner

Primary Examiner—Lisa Lichtenstein

(74) *Attorney, Agent, or Firm*—Baker Donelson

(57) **CLAIM**

The ornamental design for a ceiling fan motor housing, as
shown and described.

DESCRIPTION

FIG. 1 is a perspective view of a ceiling fan motor housing
showing my new design.

FIG. 2 is a front view thereof.

FIG. 3 is a rear view thereof.

FIG. 4 is a right side view thereof, the left side view being
a mirror image thereof.

FIG. 5 is a top view thereof; and,

FIG. 6 is a bottom view thereof.

1 Claim, 3 Drawing Sheets

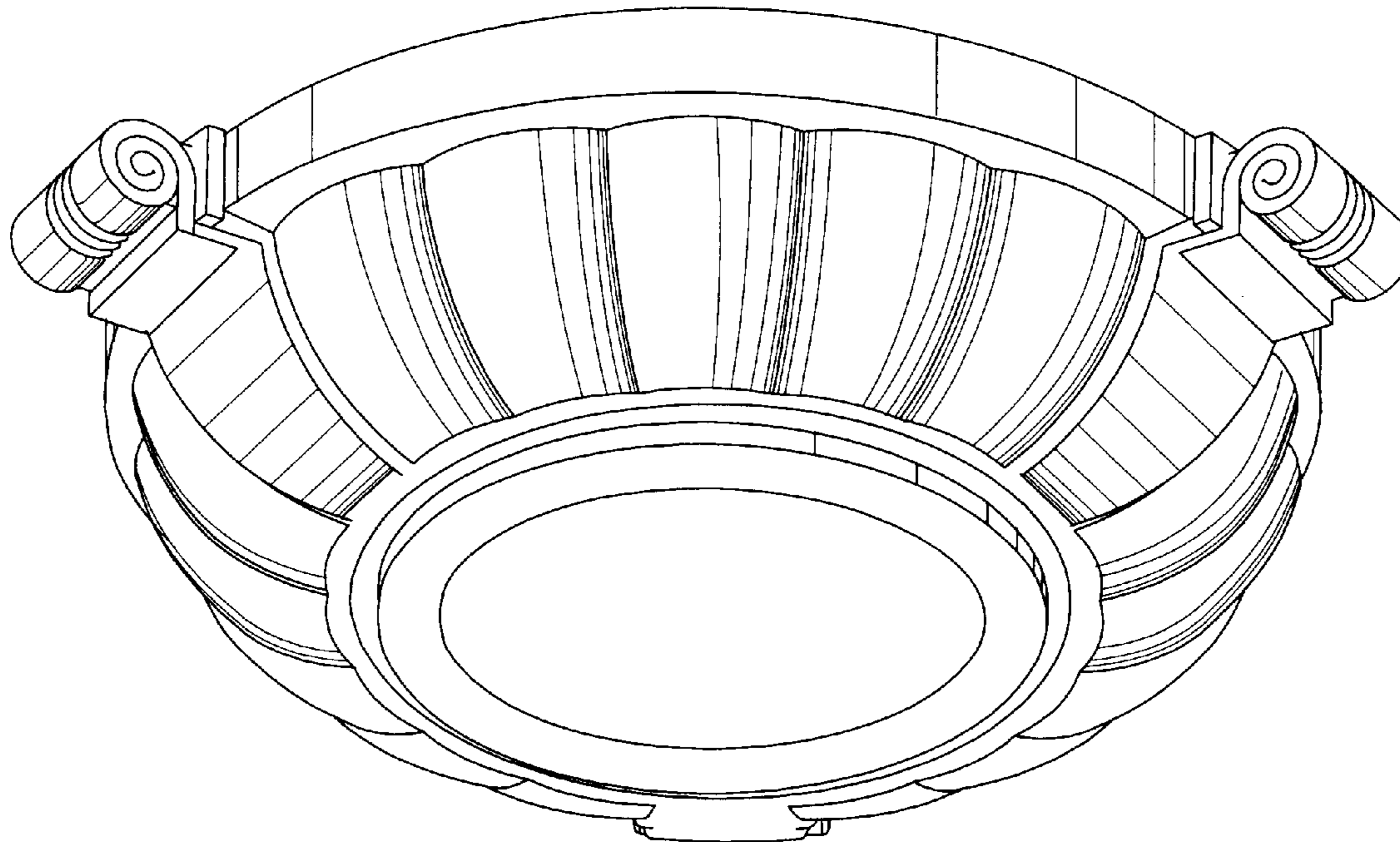


Fig. 1

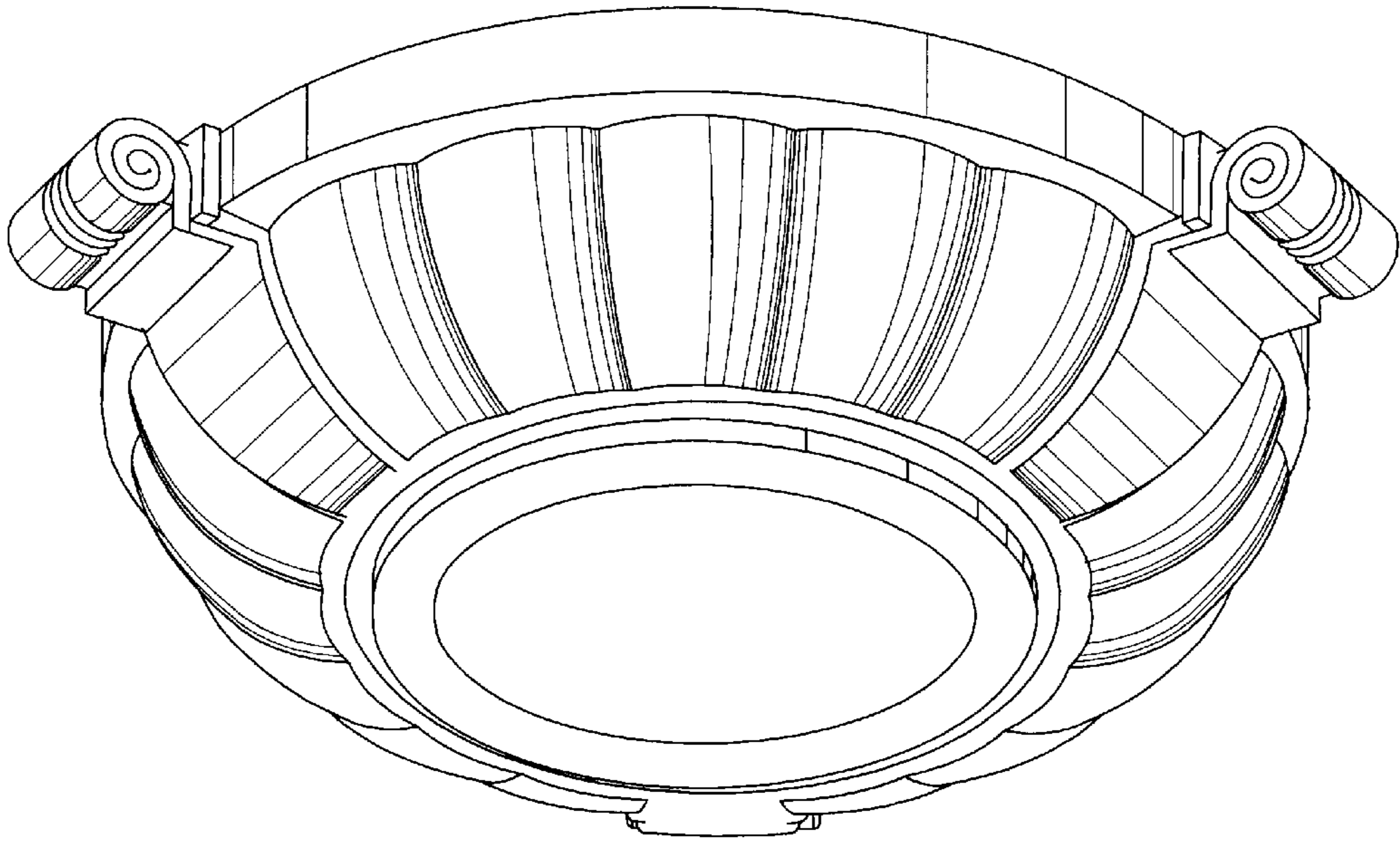


Fig. 2

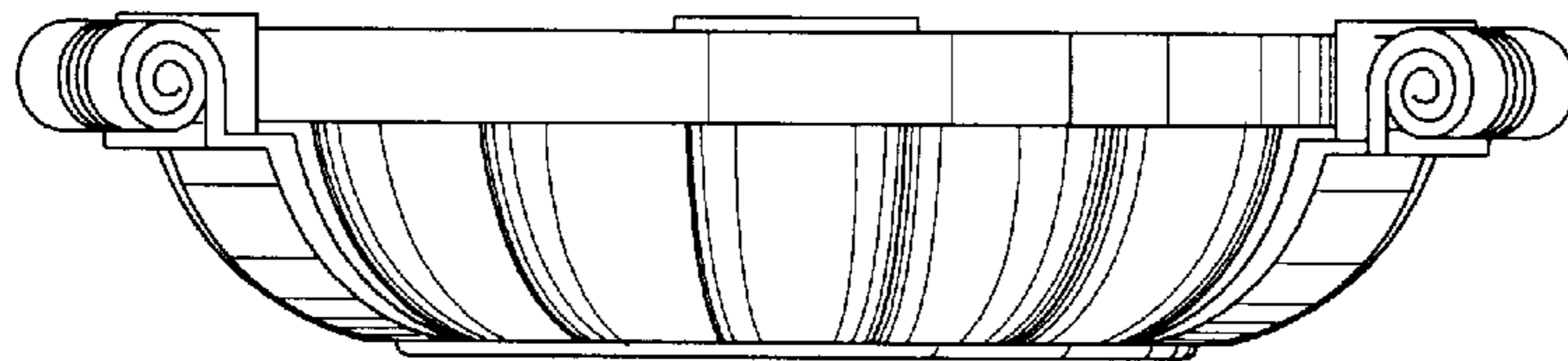


Fig. 3

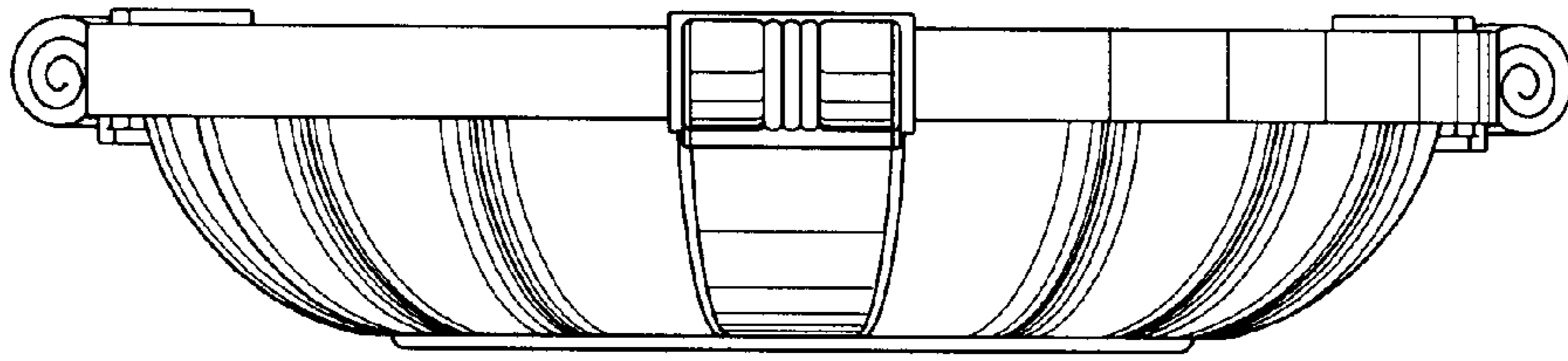


Fig. 4

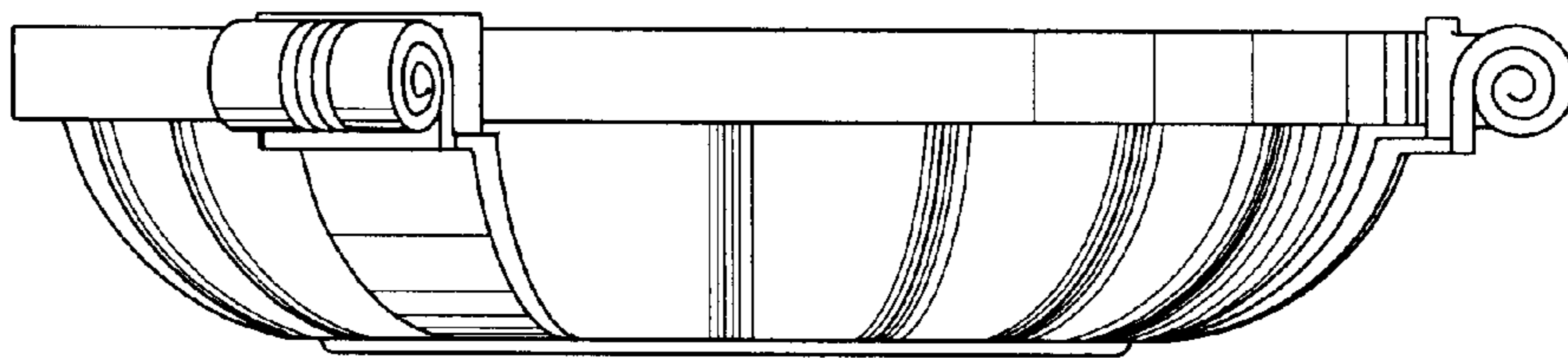


Fig. 5

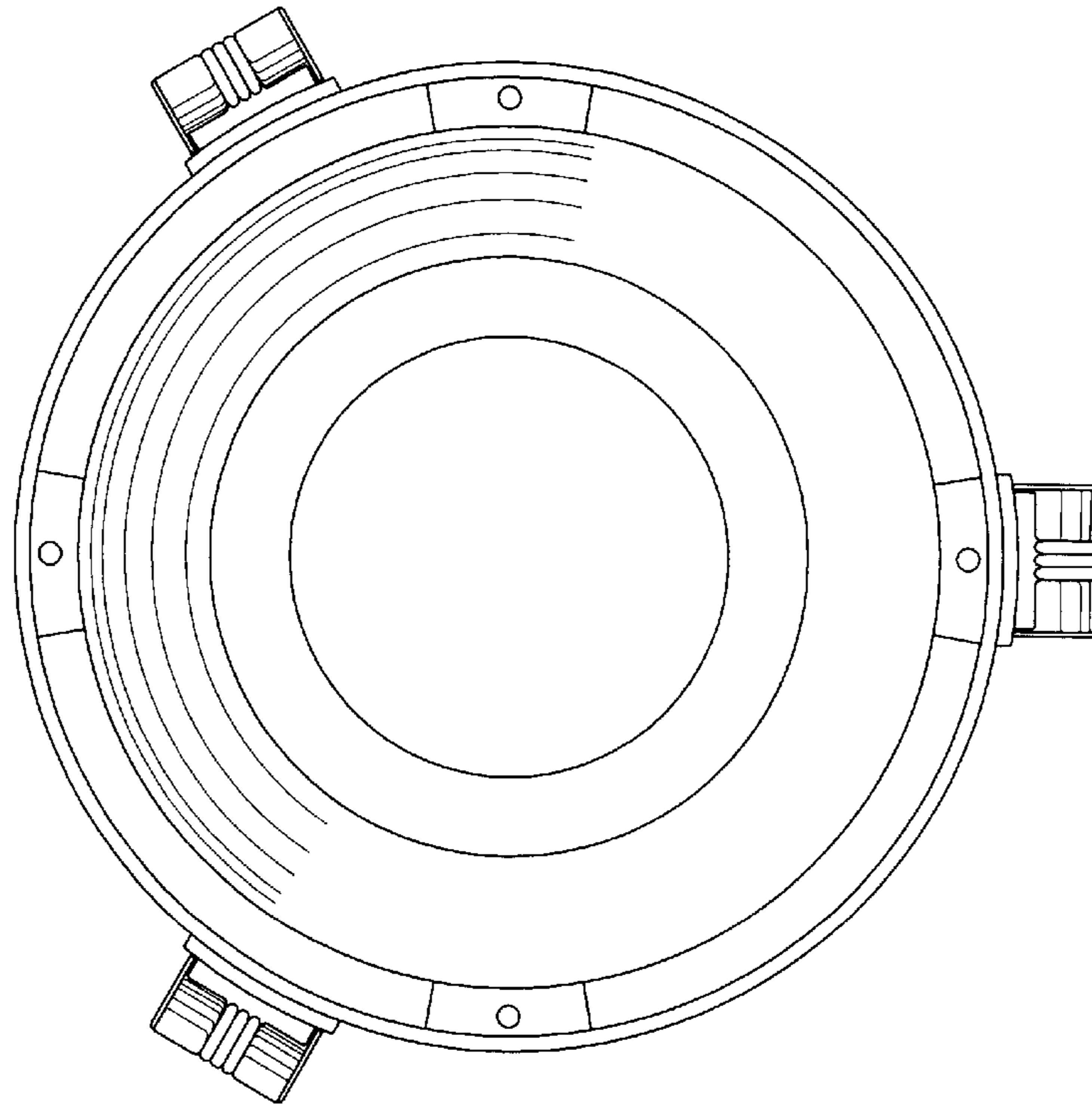


Fig. 6

