



US00D482438S

(12) **United States Design Patent**
Barker et al.

(10) **Patent No.:** **US D482,438 S**

(45) **Date of Patent:** **** Nov. 18, 2003**

(54) **FAN**

(75) **Inventors:** **Robert A. Barker**, Berlin, MA (US);
Darrin S. Manke, North Andover, MA (US);
Matthew Ibarra, Malden, MA (US)

(73) **Assignee:** **The Holmes Group, Inc.**, Milford, MA (US)

(**) **Term:** **14 Years**

(21) **Appl. No.:** **29/171,311**

(22) **Filed:** **Nov. 20, 2002**

(51) **LOC (7) Cl.** **23-04**

(52) **U.S. Cl.** **D23/382**

(58) **Field of Search** D23/381, 382,
D23/370, 411, 335, 336; 416/246, 247 R,
244 R; 248/676; D6/462, 312, 499

(56) **References Cited**

U.S. PATENT DOCUMENTS

D306,903 S	3/1990	Shin-Chin	
D358,639 S	* 5/1995	Chiu	D23/411
D426,296 S	* 6/2000	Blateri	D23/382
D433,497 S	11/2000	Hotaling et al.	

OTHER PUBLICATIONS

Holmes, "Hi-Velocity Fan", HAHV-18, Holmes Product Corporation, 1995.

Holmes, "Power Fan", HAPF-1122, Holmes Product Corporation, 1995.

* cited by examiner

Primary Examiner—Lisa Lichtenstein

(57) **CLAIM**

The ornamental design for a fan, as shown and described.

DESCRIPTION

FIG. 1 is a front perspective view of a fan showing our new design;

FIG. 2 is a top plan view thereof;

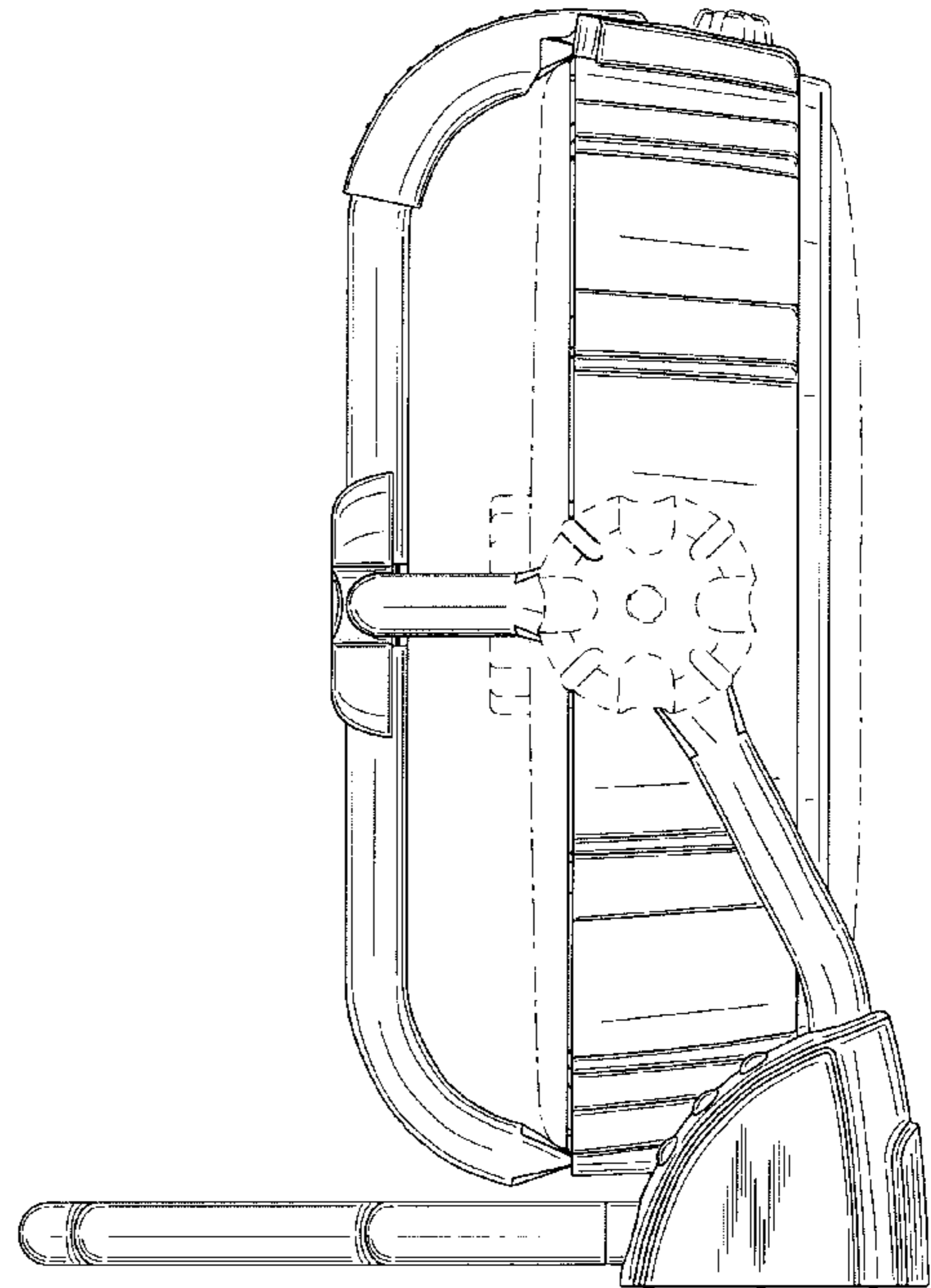
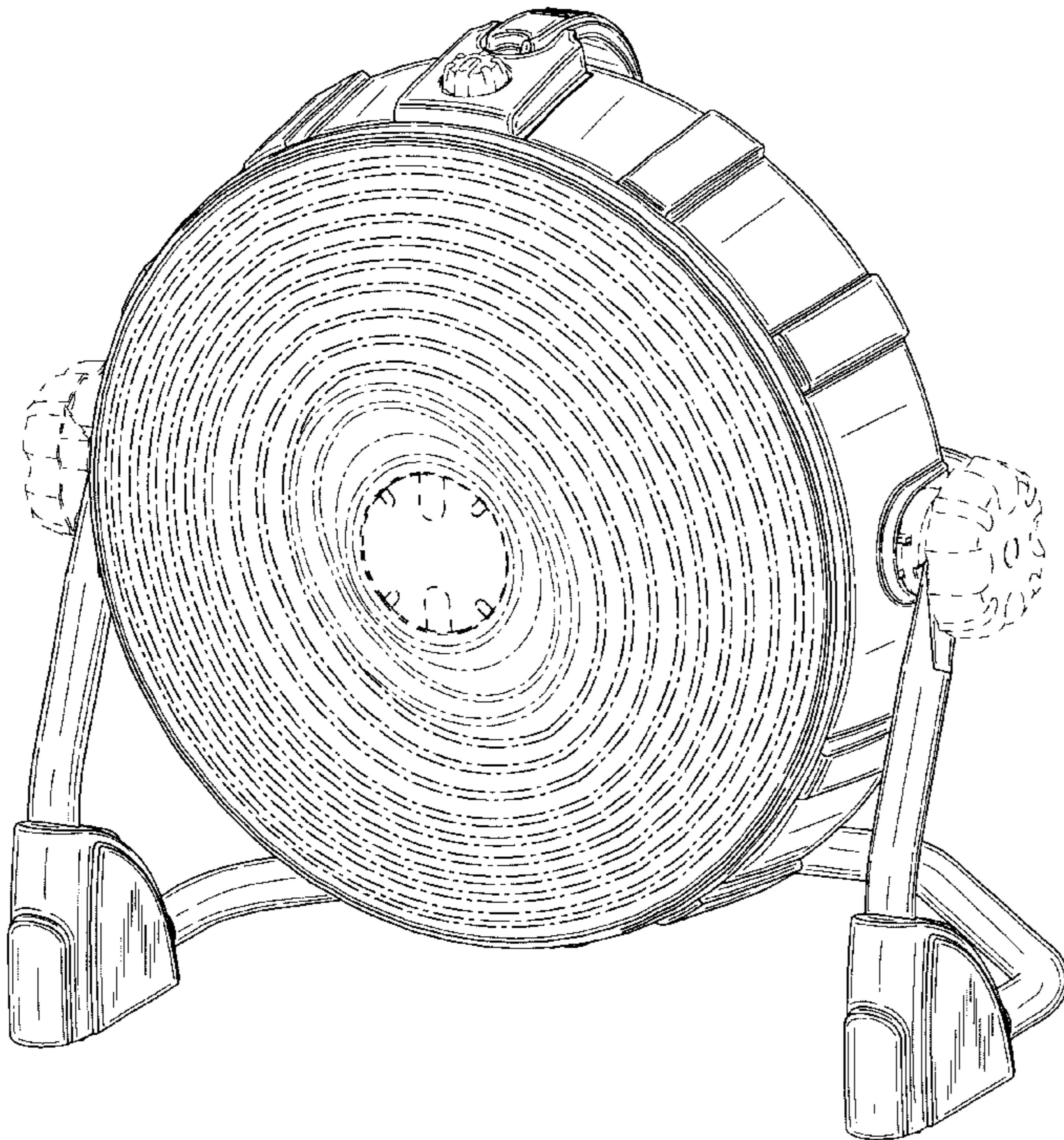
FIG. 3 is a front elevation view thereof;

FIG. 4 is a right side elevation view thereof (the left side being a mirror image); and,

FIG. 5 is a back elevation view thereof.

The broken lines shown in FIGS. 1-5 are for illustrative purposes only and form no part of the claimed design. The bottom of the fan forms no part of the claimed design.

1 Claim, 5 Drawing Sheets



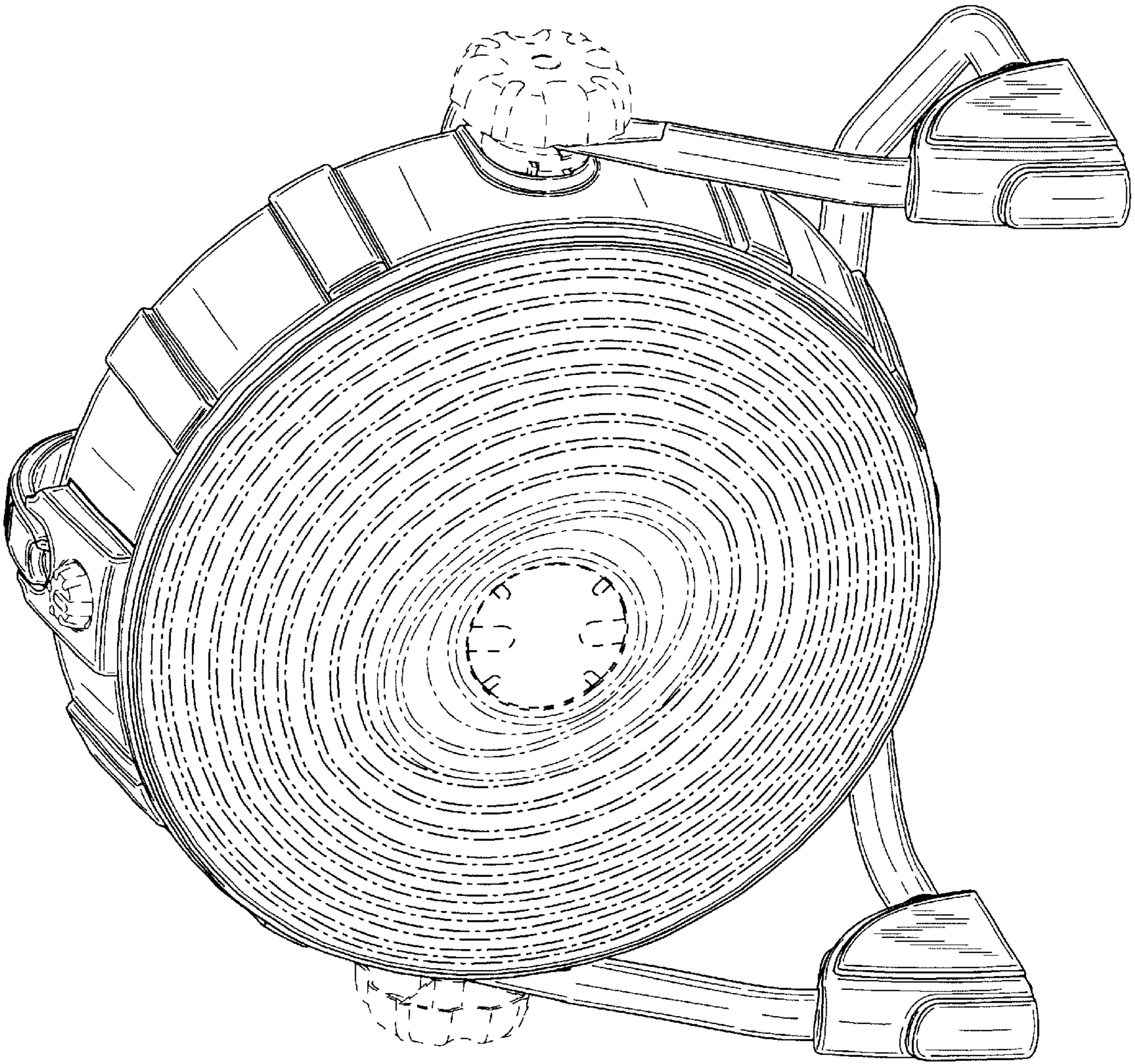


FIG. 1

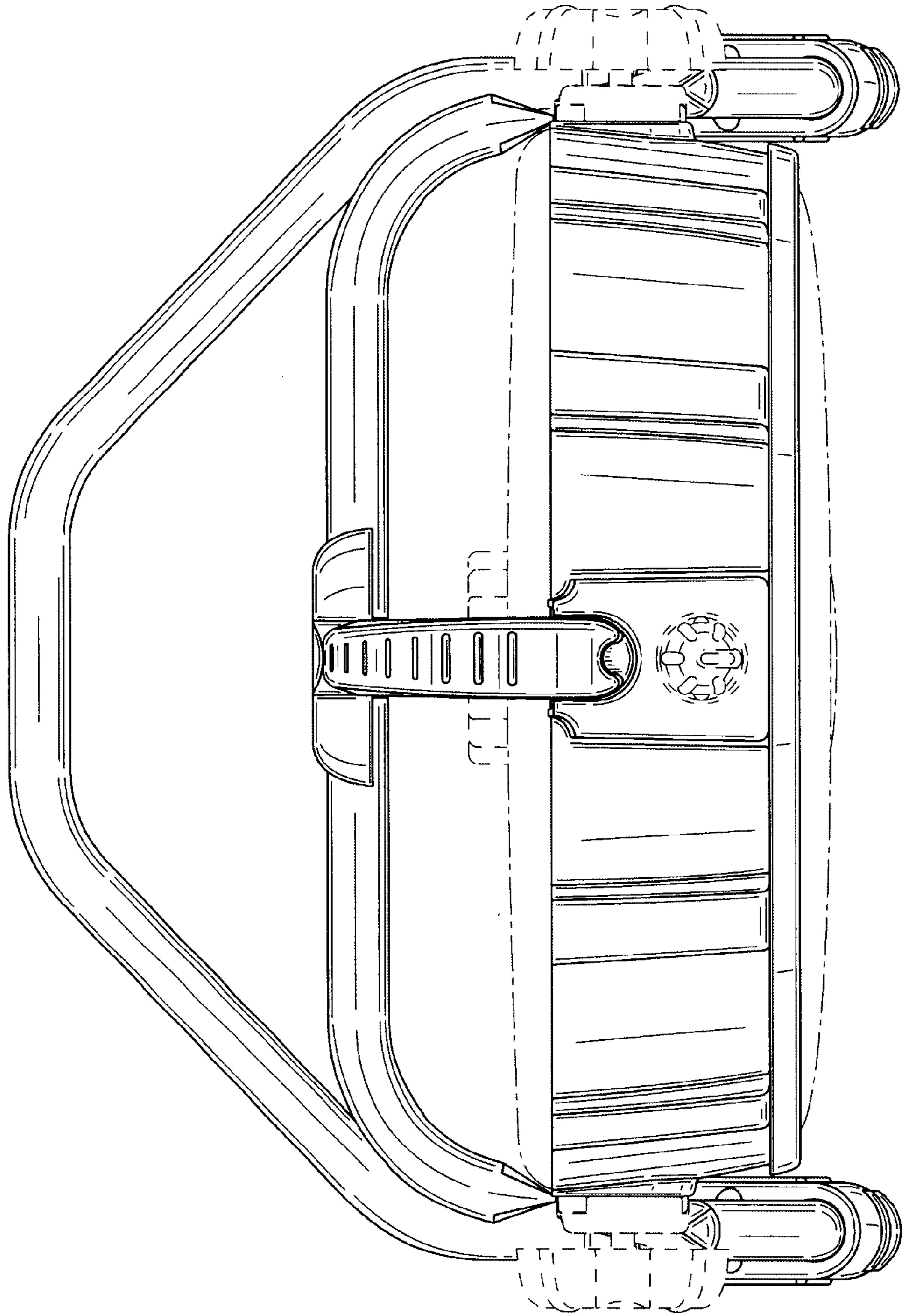


FIG. 2

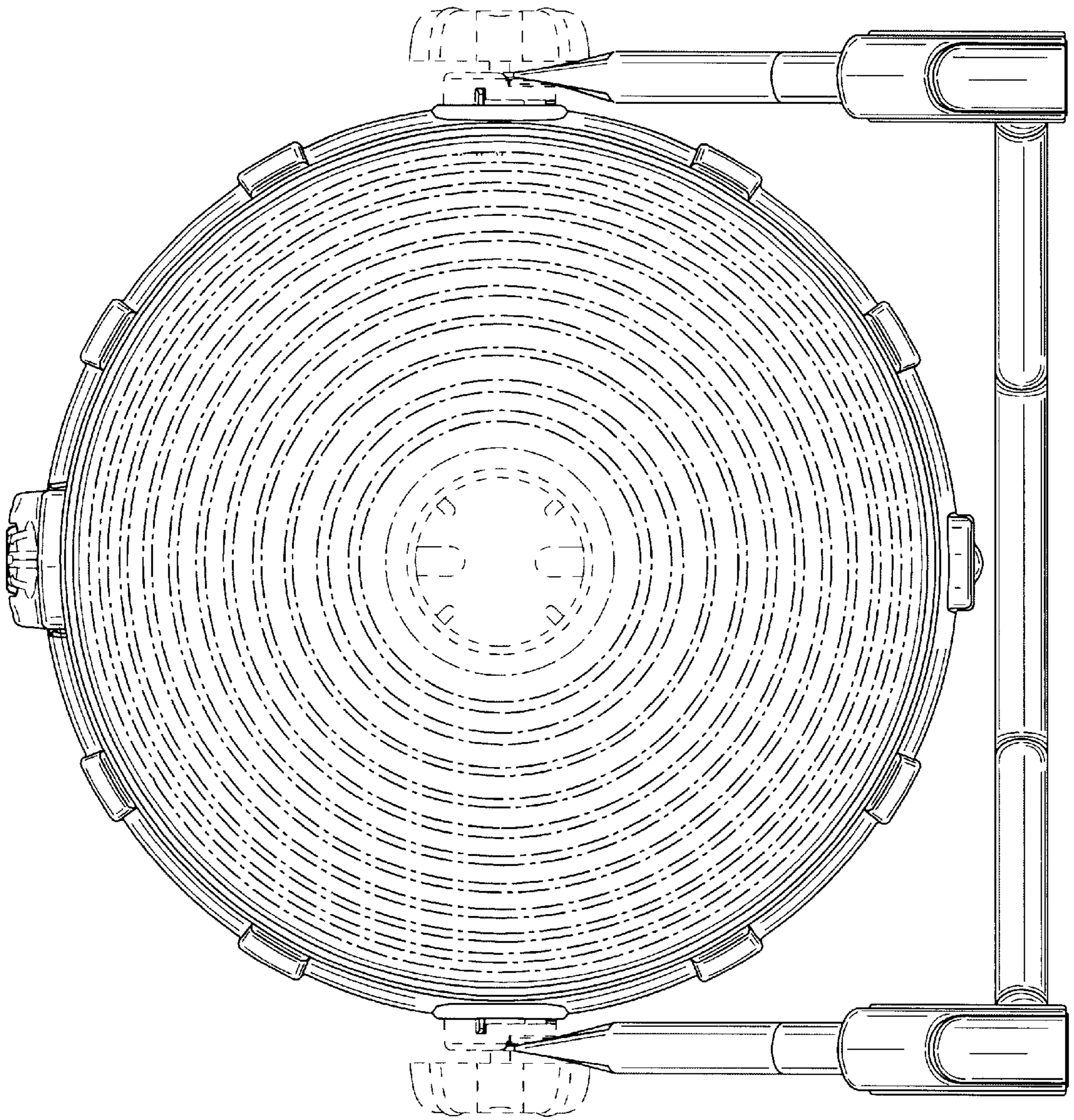


FIG. 3

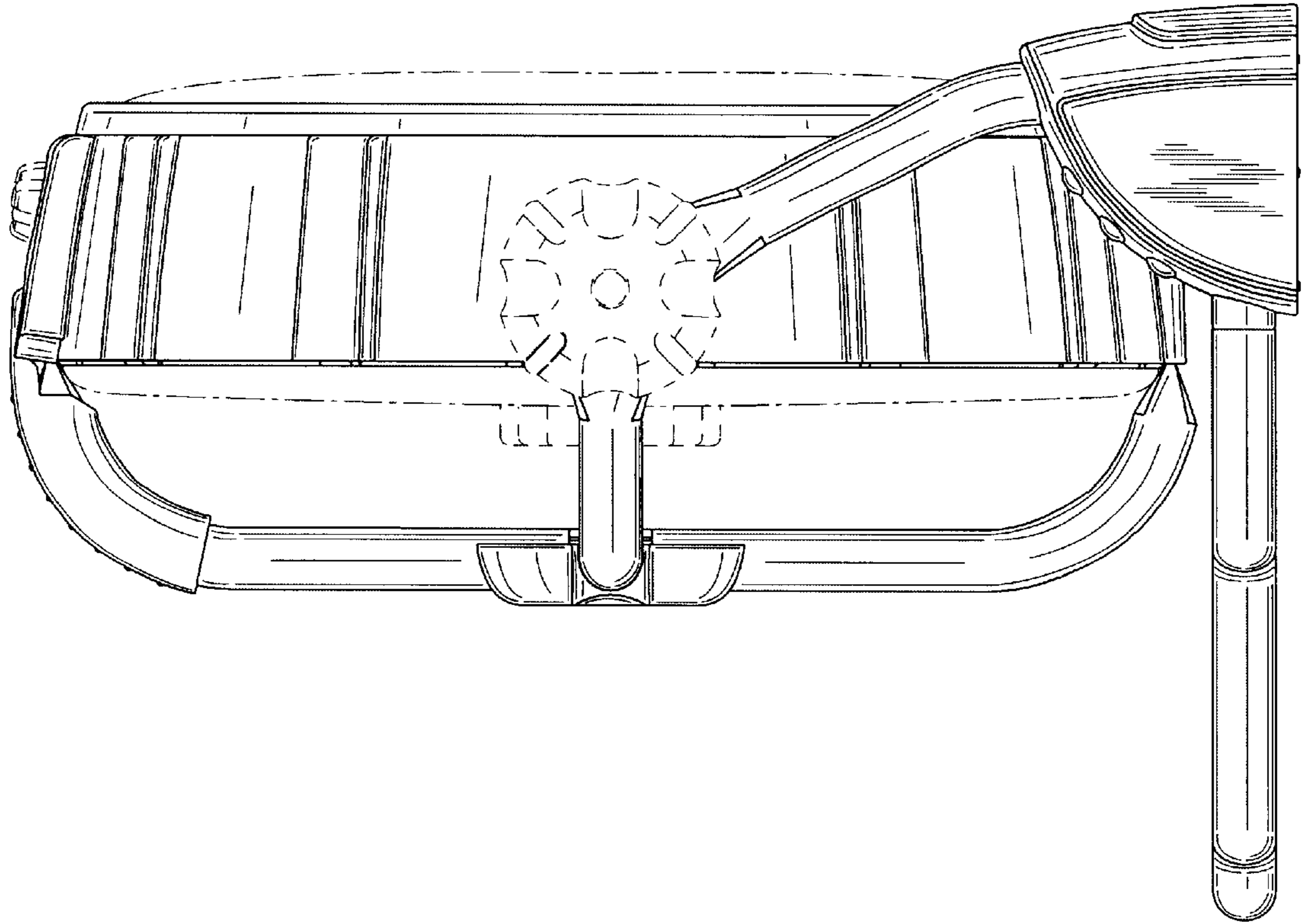


FIG. 4

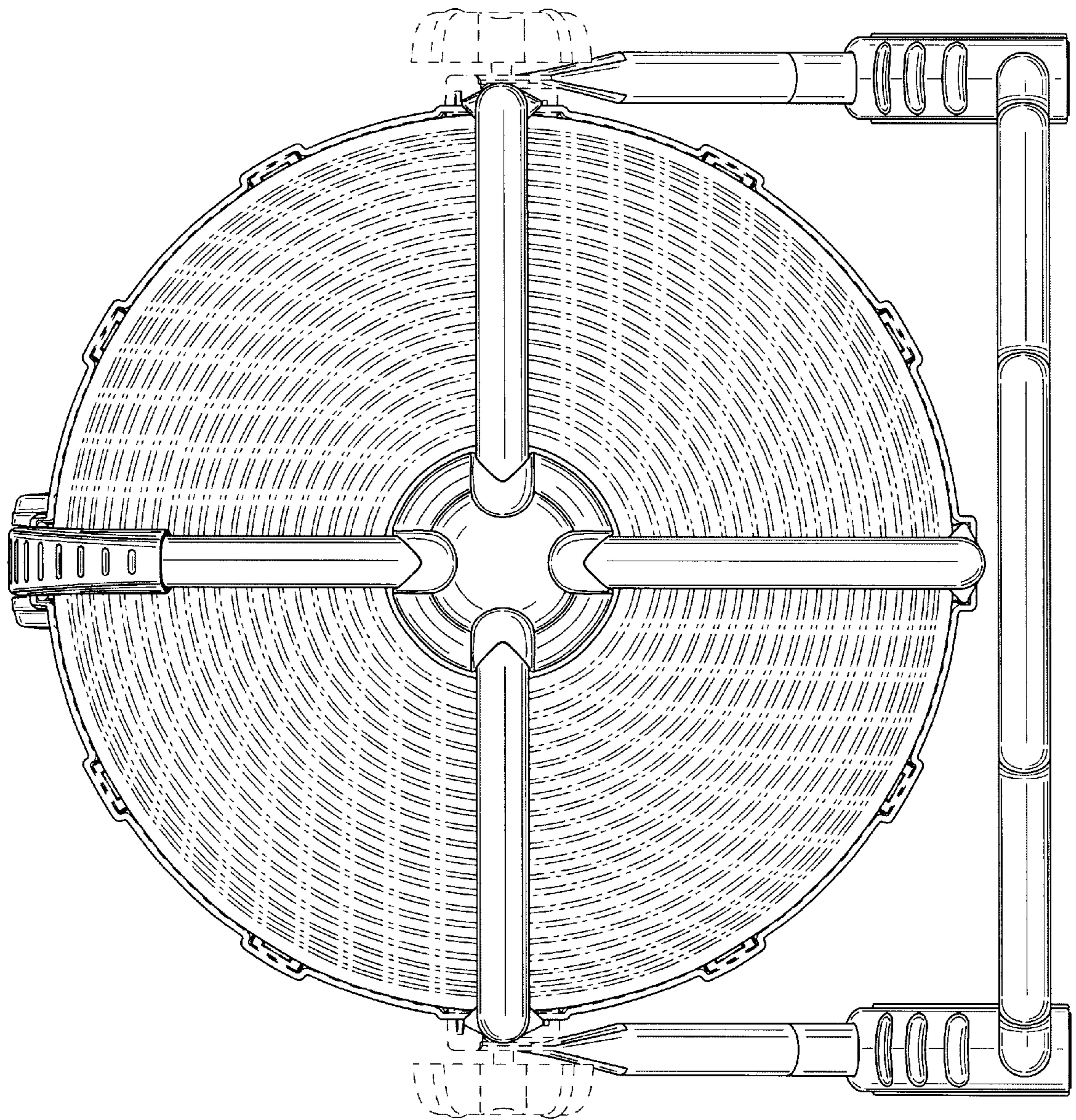


FIG. 5