



US00D482436S

(12) **United States Design Patent**
Young

(10) **Patent No.:** **US D482,436 S**

(45) **Date of Patent:** **** Nov. 18, 2003**

(54) **COMBINATION CEILING FAN AND LIGHT FIXTURE**

(75) Inventor: **Stanfield Young**, Cypress, CA (US)

(73) Assignee: **Minka Lighting, Inc.**, Corona, CA (US)

(**) Term: **14 Years**

(21) Appl. No.: **29/166,028**

(22) Filed: **Aug. 19, 2002**

(51) **LOC (7) Cl.** **23-04**

(52) **U.S. Cl.** **D23/377**

(58) **Field of Search** D23/377, 379,
D23/385, 411, 413; 416/5; 392/364; 362/96;
D26/59, 71, 81-86, 88

(56) **References Cited**

U.S. PATENT DOCUMENTS

D425,610 S	*	5/2000	Gee, II	D23/377
D451,592 S	*	12/2001	Dolan	D23/411
D457,235 S	*	5/2002	Hidalgo	D23/411

OTHER PUBLICATIONS

U.S. patent application Ser. No. 29/165,927, Stanfield Young, filed Sep. 19, 2002.

U.S. patent application Ser. No. 29/165,979, Stanfield Young, filed Aug. 19, 2002.

U.S. patent application Ser. No. 29/165,978, Stanfield Young, filed Aug. 19, 2002.

* cited by examiner

Primary Examiner—Lisa Lichtenstein

(74) *Attorney, Agent, or Firm*—Jenkins & Gilchrist, P.C.

(57) **CLAIM**

The ornamental design for a combination ceiling fan and light fixture, as shown and described.

DESCRIPTION

FIG. 1 is a perspective view from below of the combination ceiling fan and light fixture in accordance with my design.

FIG. 2 is a bottom plan view of the combination ceiling fan and light fixture on a reduced scale in accordance with my design;

FIG. 3 is a front elevation view of the combination ceiling fan and light fixture on a reduced scale in accordance with my design;

FIG. 4 is a top plan view of the combination ceiling fan and light fixture on a reduced scale in accordance with my design; and,

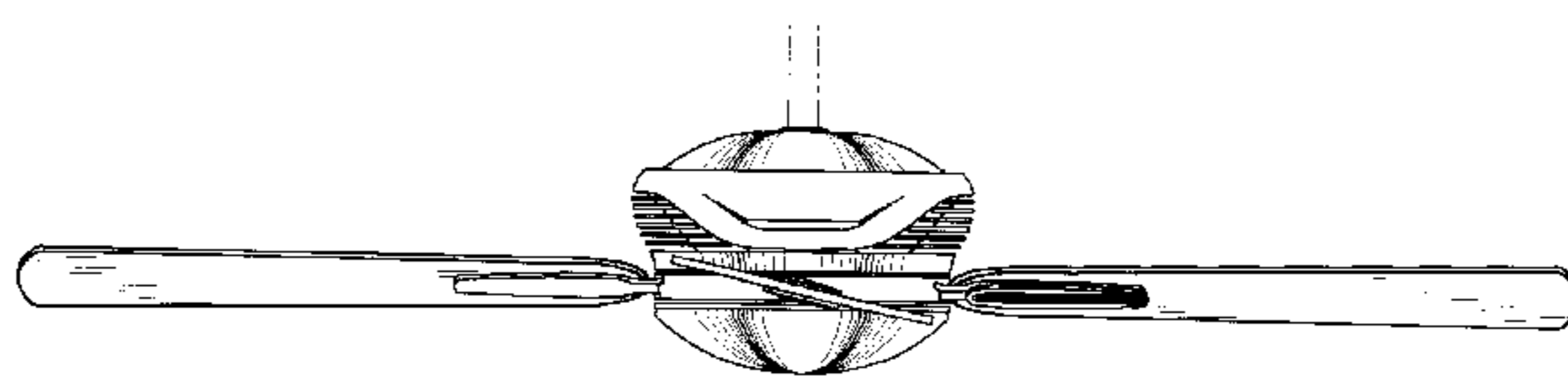
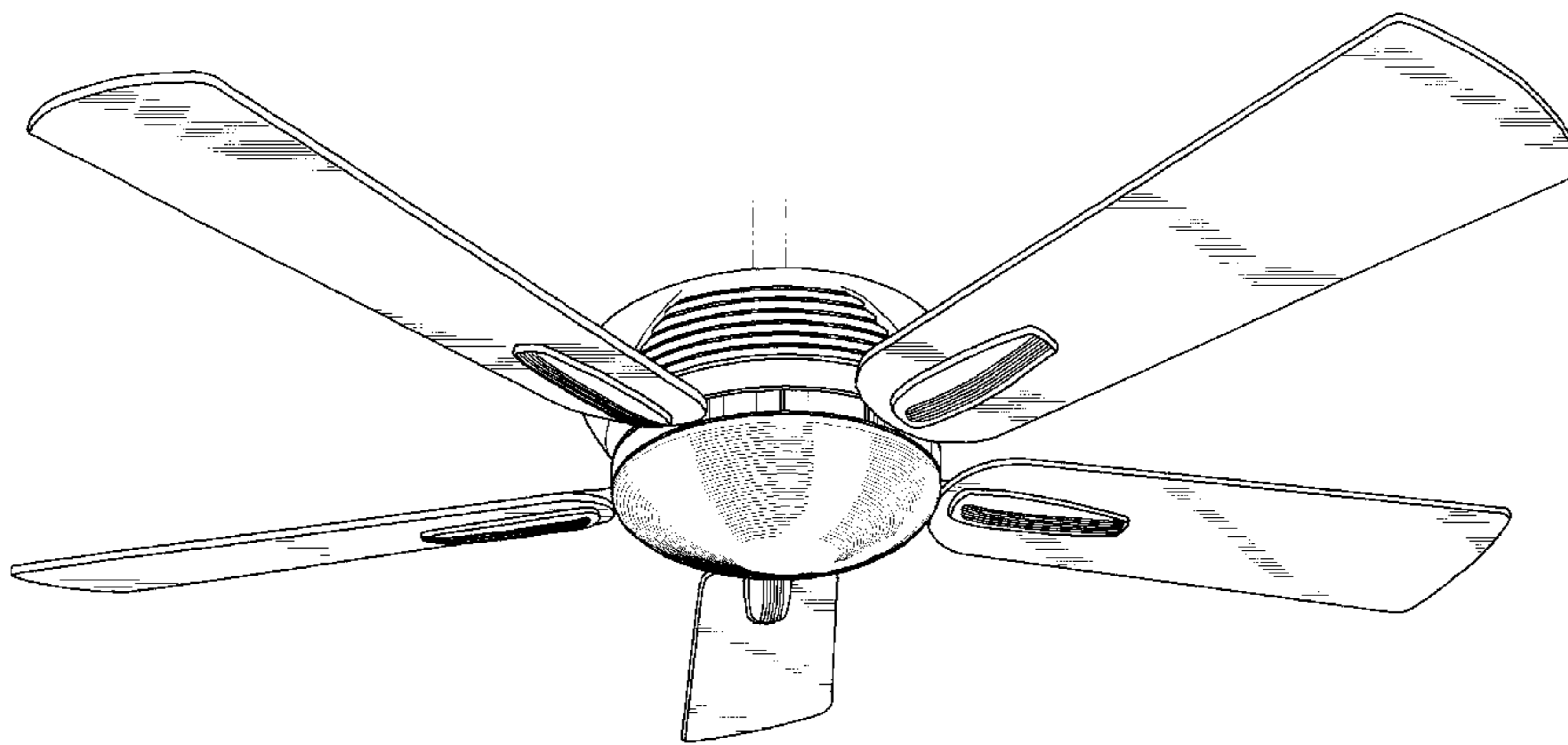
FIG. 5 is a side elevation view of the combination ceiling fan and light fixture on a reduced scale in accordance with my design.

The front and rear elevation views are identical except for the position of the blades.

The right side and left side elevation views are identical except for the position of the blades.

The broken line showing of environmental structure in FIGS. 1 and 3-5 is for illustrative purposes only and forms no part of the claimed design.

1 Claim, 3 Drawing Sheets



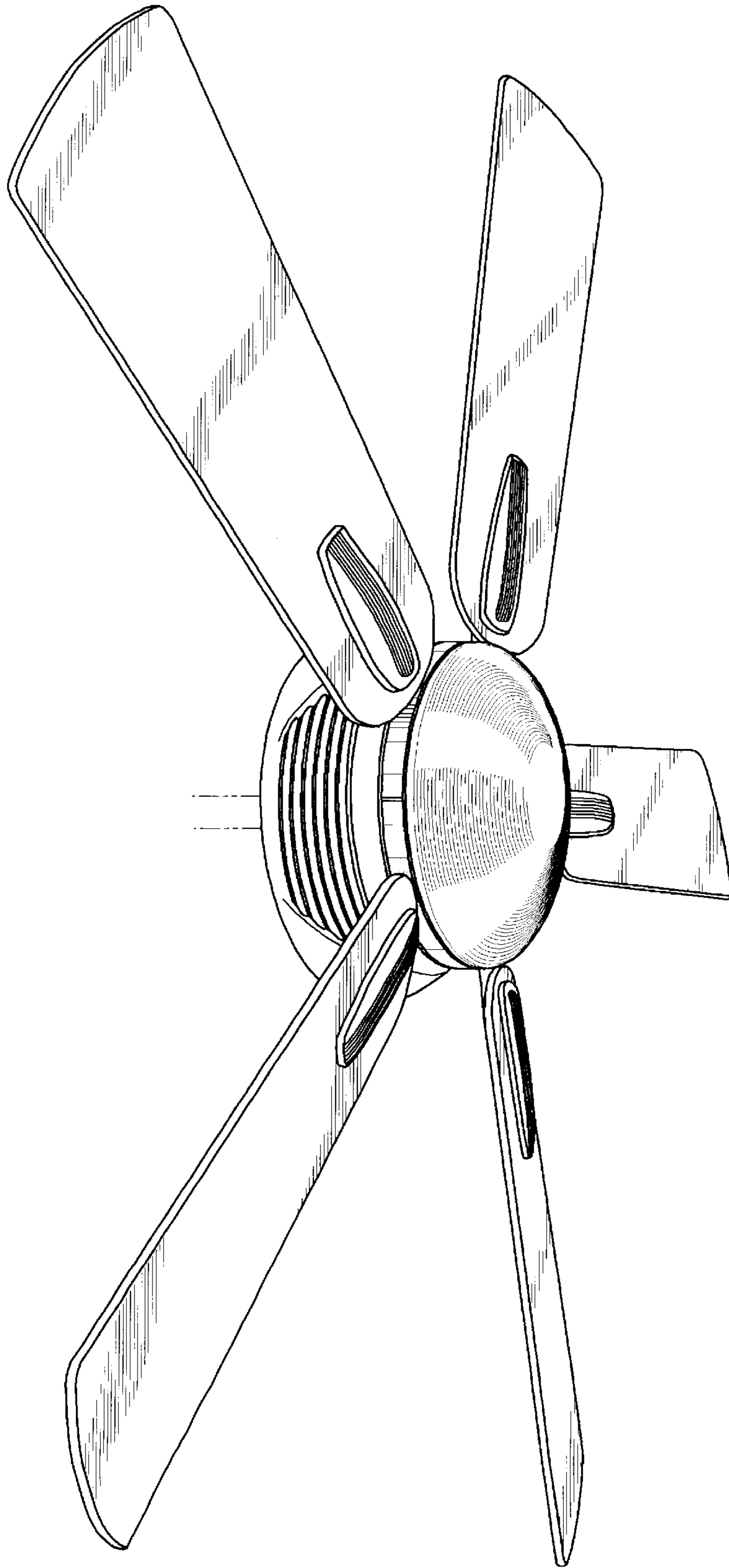


Fig. 1

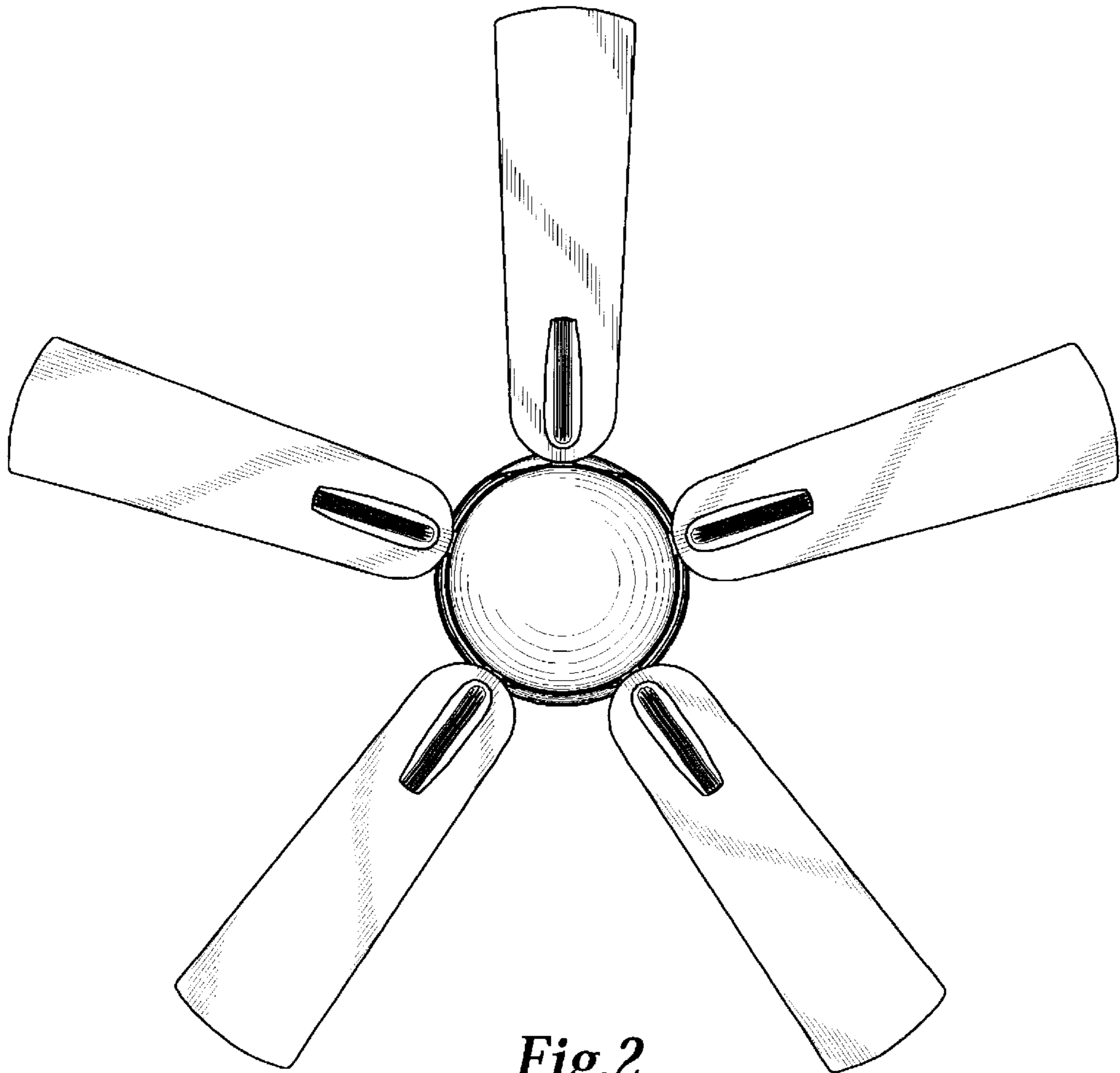


Fig. 2

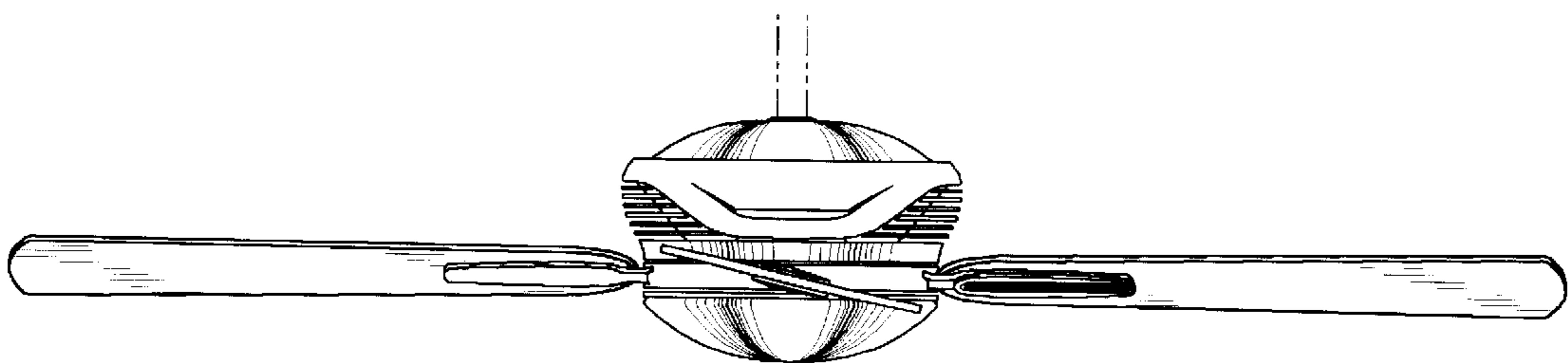


Fig. 3

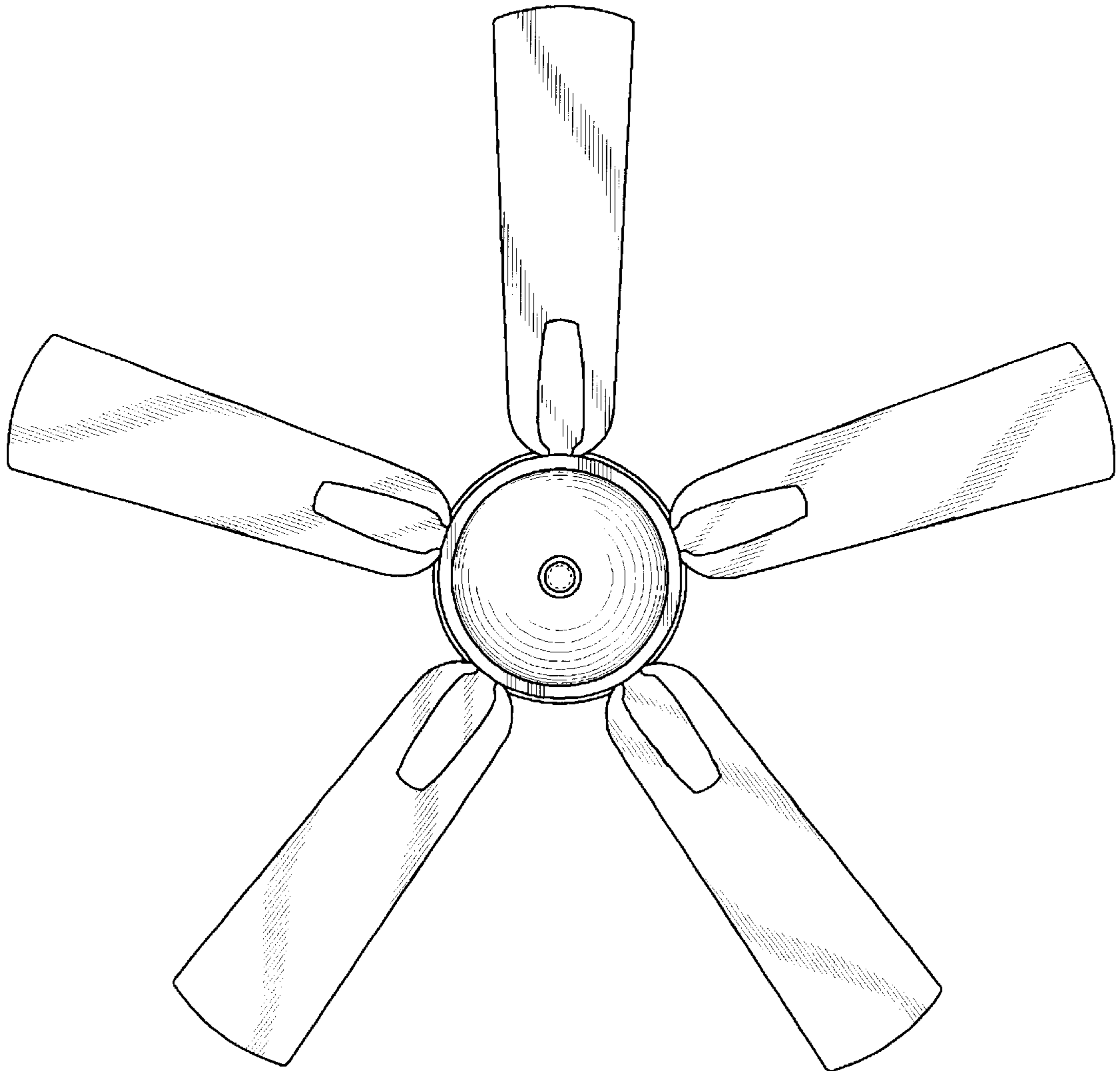


Fig.4

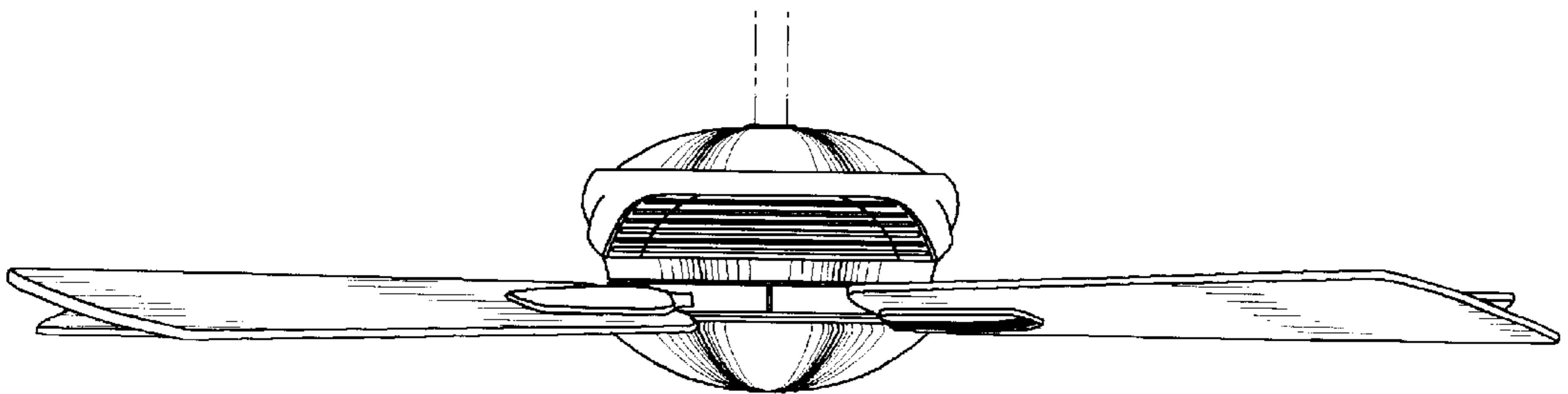


Fig.5