



US00D482434S

(12) **United States Design Patent**
Piatt

(10) **Patent No.:** **US D482,434 S**

(45) **Date of Patent:** **** Nov. 18, 2003**

(54) **PLUMBING FIXTURE**

(75) Inventor: **James M. Piatt**, Sheboygan Falls, WI (US)

(73) Assignee: **Kohler Co.**, Kohler, WI (US)

(**) Term: **14 Years**

(21) Appl. No.: **29/158,620**

(22) Filed: **Apr. 4, 2002**

Related U.S. Application Data

(63) Continuation-in-part of application No. 29/153,936, filed on Oct. 26, 2001.

(51) **LOC (7) Cl.** **23-02**

(52) **U.S. Cl.** **D23/293.1**

(58) **Field of Search** D23/270-274,
D23/283-284, 286-287, 291-292, 293.1,
304, 308; 4/553, 557-558, 596-604, 612-614,
619, 622, 629-630, 633, 638, 650-652,
660, 648, 594

(56) **References Cited**

U.S. PATENT DOCUMENTS

- 450,895 A * 4/1891 Shattuck D23/293.1
- 998,742 A * 7/1911 Berkley 4/652 X
- 2,389,724 A * 11/1945 Falco D23/283 X
- 3,376,583 A * 4/1968 Frey 4/638 X
- D218,031 S * 7/1970 Wheeler, Jr. D23/308
- 3,578,737 A * 5/1971 Ruggles et al. 4/631
- 3,579,661 A * 5/1971 Lien 4/651 X
- D232,638 S * 9/1974 Mather D23/284
- D236,204 S * 8/1975 Cooper D23/308 X
- 4,086,669 A * 5/1978 Combis 4/622
- D298,452 S * 11/1988 Carter D23/293.1
- D332,829 S * 1/1993 Belfor D23/292
- D356,148 S * 3/1995 Kohler, Jr. et al. D23/293.1
- 5,628,484 A * 5/1997 Lechuga 4/594
- D423,653 S * 4/2000 Svendsen D23/293.1

- D430,274 S * 8/2000 Marshall D23/284
- D436,656 S * 1/2001 McKeone D23/293.1
- D446,288 S * 8/2001 McKeone et al. D23/293.1
- 6,276,648 B1 * 8/2001 Katz et al. 4/648
- 6,363,547 B1 * 4/2002 Perry 4/614
- D461,881 S * 8/2002 McKeone D23/293.1
- D463,538 S * 9/2002 Chipperfield D23/284

OTHER PUBLICATIONS

1999 Kohler catalog ad, p. 16.13, showing an "Interlace" kitchen sink.

1999 Kohler catalog ad, p. 16.55, showing a K-3340 "Undertone" sink.

1998 Kohler catalog ad, p. 8-25, showing a "Jamestown" lavatory.

1999 Kohler catalog ad, p. 14.10, showing a "Folio" lavatory.

2000 Kohler catalog ad, p. 11.23, showing "Memoirs" shower receptors.

* cited by examiner

Primary Examiner—Louis S. Zarfaz

Assistant Examiner—Robert A. Delehanty

(74) *Attorney, Agent, or Firm*—Quarles & Brady LLP

(57) **CLAIM**

The ornamental design for a plumbing fixture, as shown and described.

DESCRIPTION

FIG. 1 is a left, top, front perspective view of a plumbing fixture embodying my new design;

FIG. 2 is a top plan view thereof;

FIG. 3 is a front elevational view thereof; and,

FIG. 4 is a left side elevational view thereof.

The broken line representations of holes and a mounting deck in FIGS. 1 and 2, and of drains in FIGS. 1-4 are for the purpose of illustration only, and form no part of the claimed design.

1 Claim, 2 Drawing Sheets

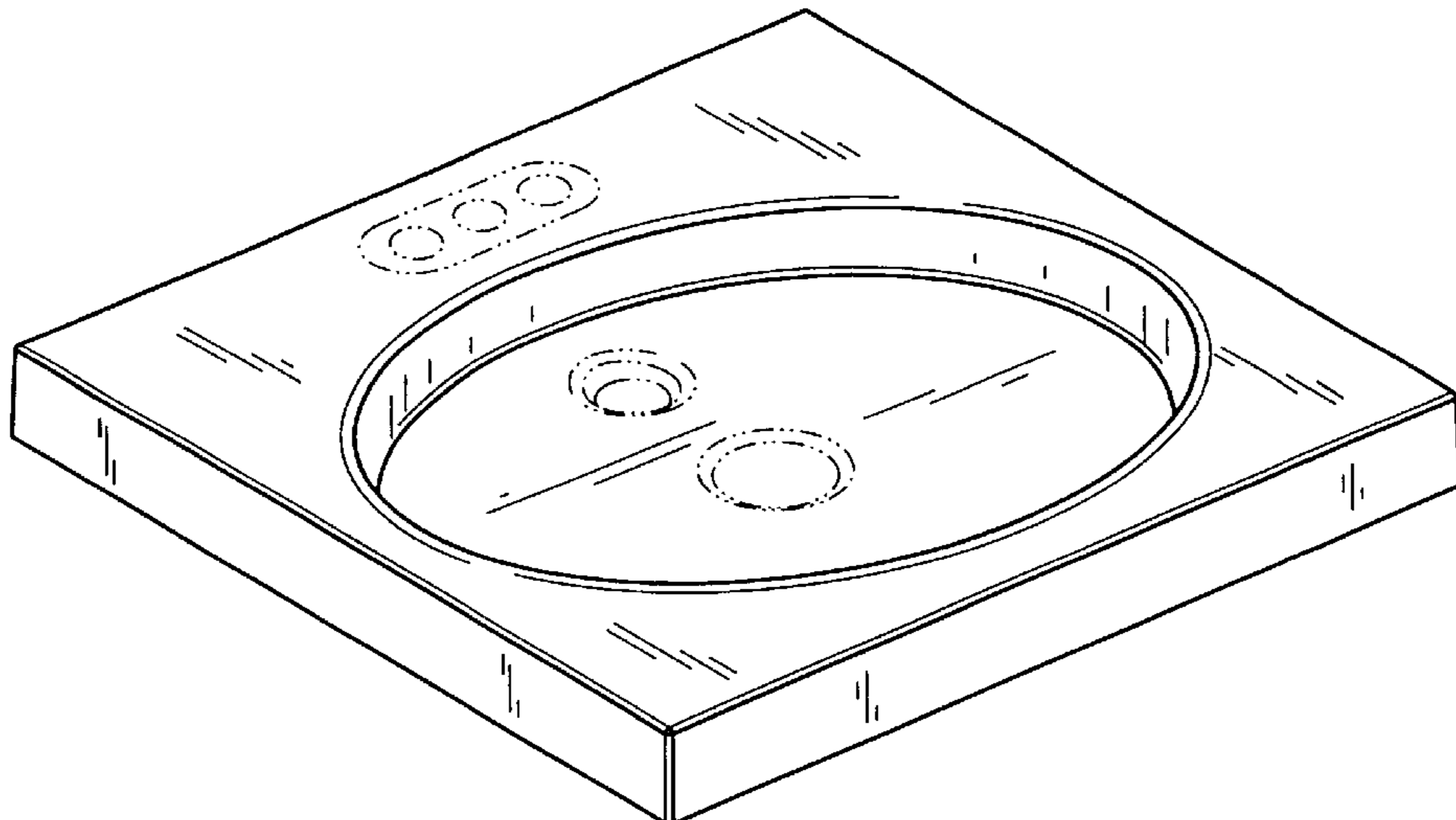


FIG. 1

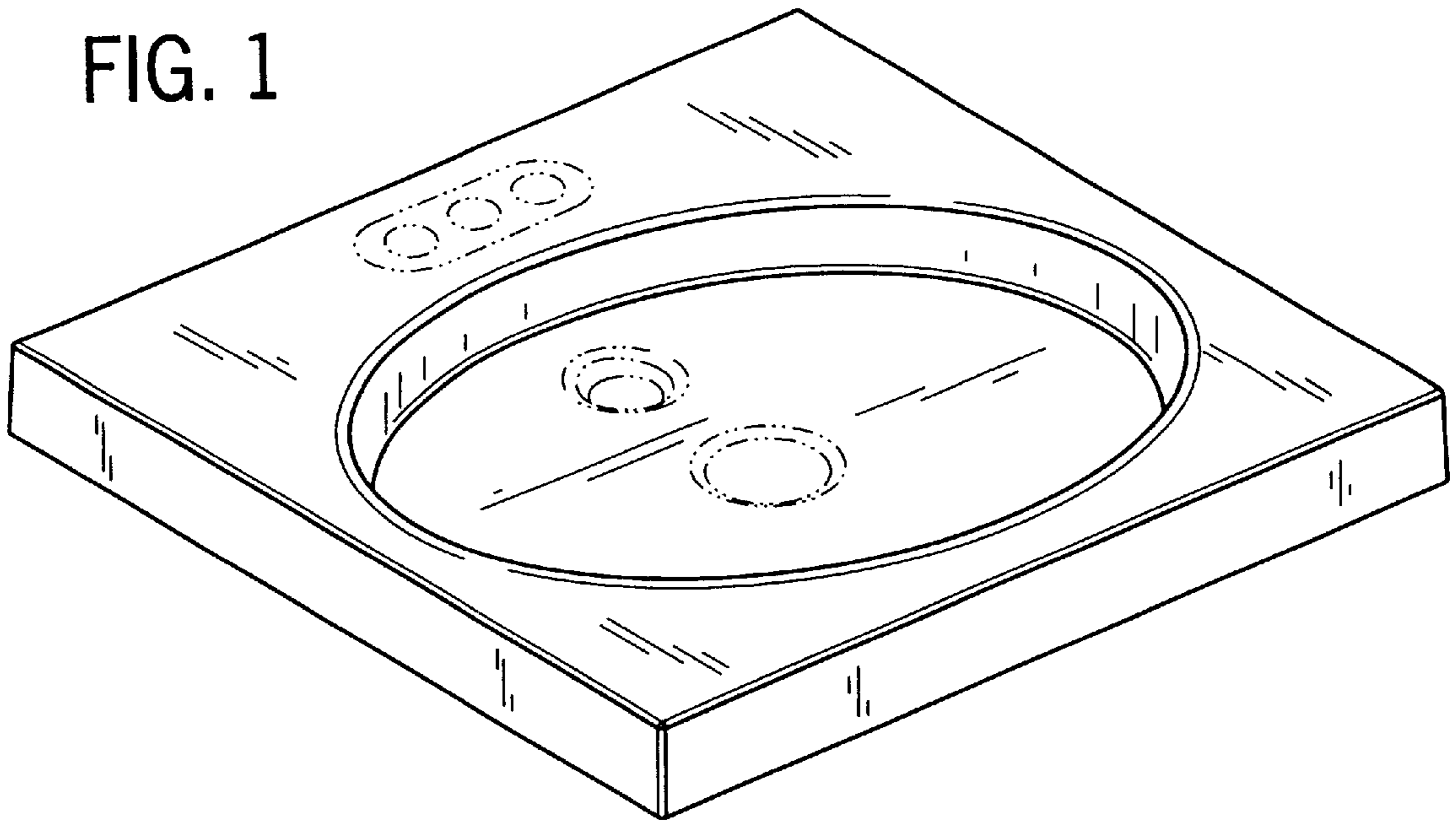


FIG. 2

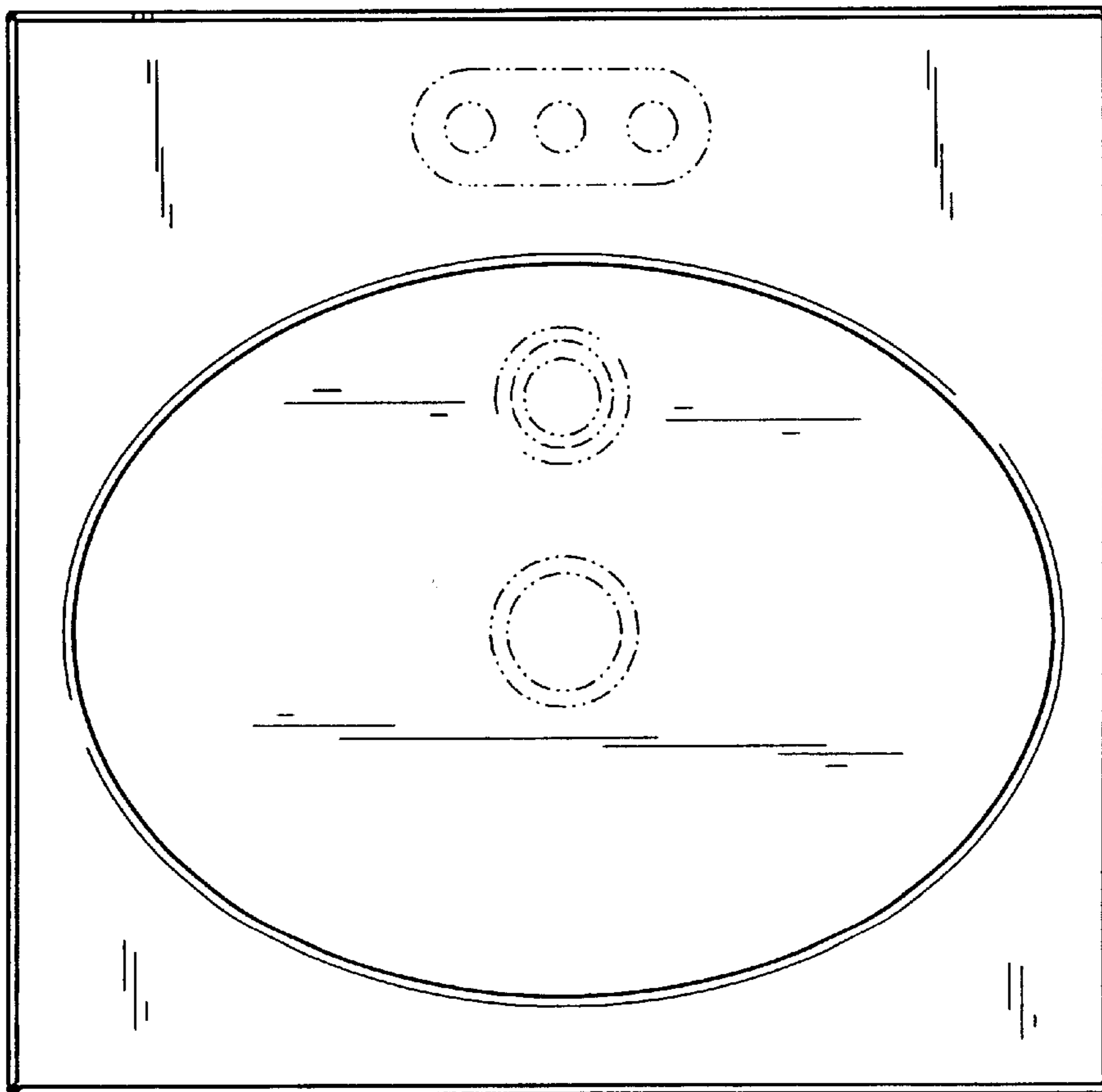


FIG. 3

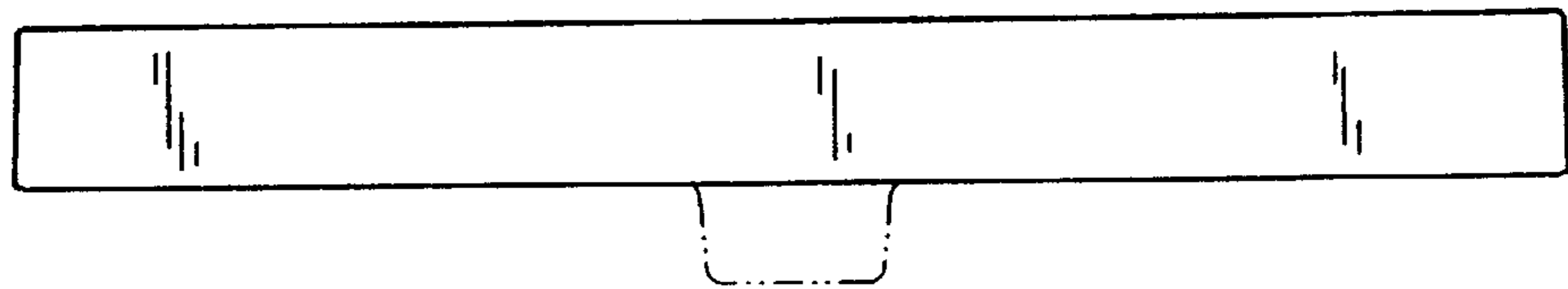


FIG. 4

