



US00D482433S

(12) **United States Design Patent**
Sawyer

(10) **Patent No.:** **US D482,433 S**

(45) **Date of Patent:** **** Nov. 18, 2003**

(54) **GUTTER DRAIN DEVICE**

(76) Inventor: **Diana A. Sawyer**, 62 Homestead La.,
Yarmouth Port, MA (US) 02675

(**) Term: **14 Years**

(21) Appl. No.: **29/160,113**

(22) Filed: **May 3, 2002**

(51) **LOC (7) Cl.** **23-01**

(52) **U.S. Cl.** **D23/267**

(58) **Field of Search** D23/267; 52/11,
52/16; 285/183, 424

(56) **References Cited**

U.S. PATENT DOCUMENTS

2,777,405	A *	1/1957	Ager	52/16
4,368,601	A *	1/1983	Price	52/16
4,956,948	A *	9/1990	Hart	52/16
5,526,612	A *	6/1996	Wade	52/12

* cited by examiner

Primary Examiner—Robin V. Taylor

(74) *Attorney, Agent, or Firm*—McCormick, Paulding &
Huber LLP

(57) **CLAIM**

The ornamental design for a gutter drain device, as shown
and described.

DESCRIPTION

FIG. 1 is a perspective view of a device configured in
accordance with the present invention;

FIG. 2 is a left side elevational view of the device of FIG.
1;

FIG. 3 is a front elevational view of the device of FIG. 1;

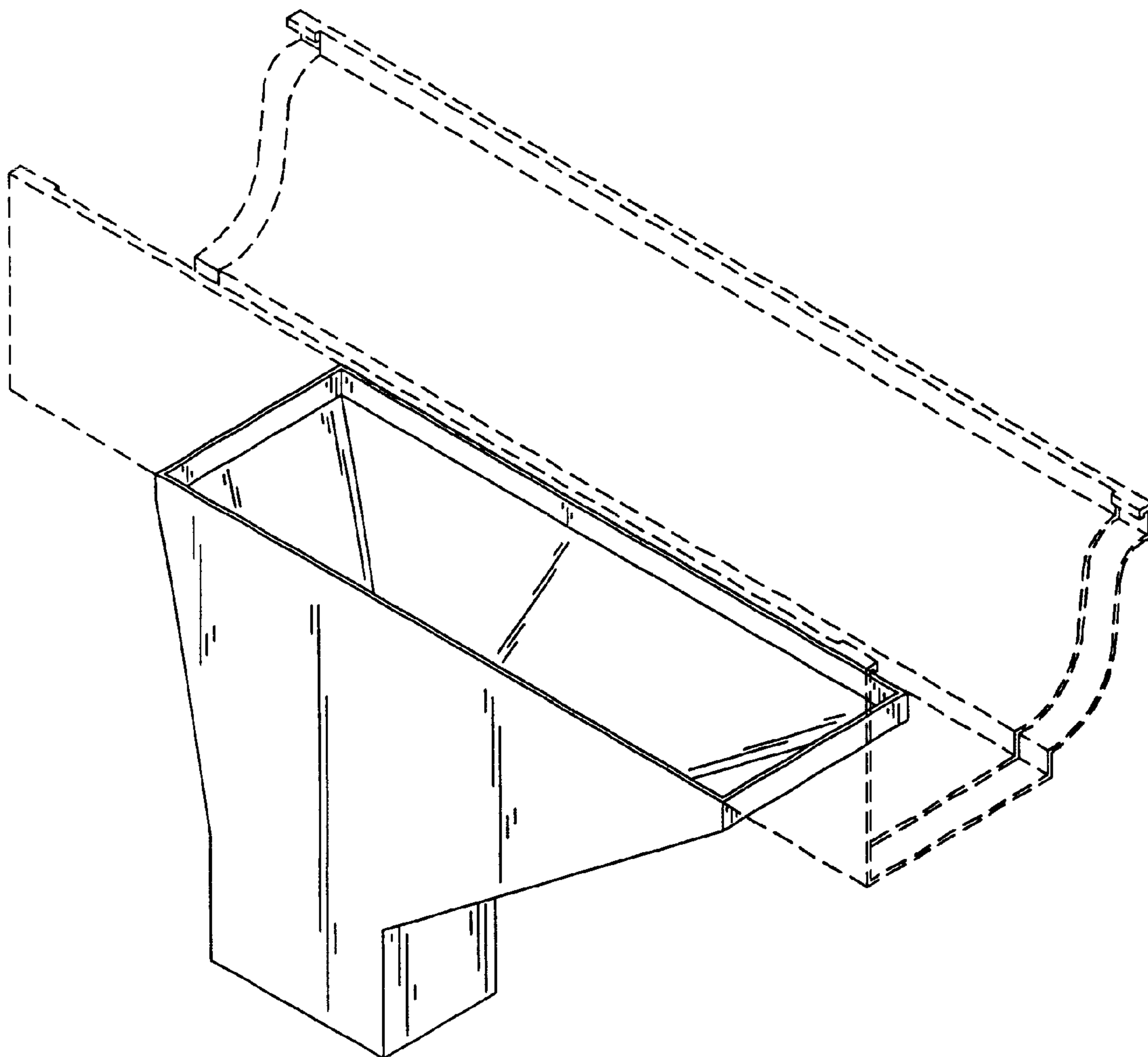
FIG. 4 is a rear elevational view of the device of FIG. 1;

FIG. 5 is a top plan view of the device of FIG. 1; and,

FIG. 6 is a bottom plan view of the device of FIG. 1.

The broken line showing is for illustrative purposes only and
forms no part of the claimed design.

1 Claim, 4 Drawing Sheets



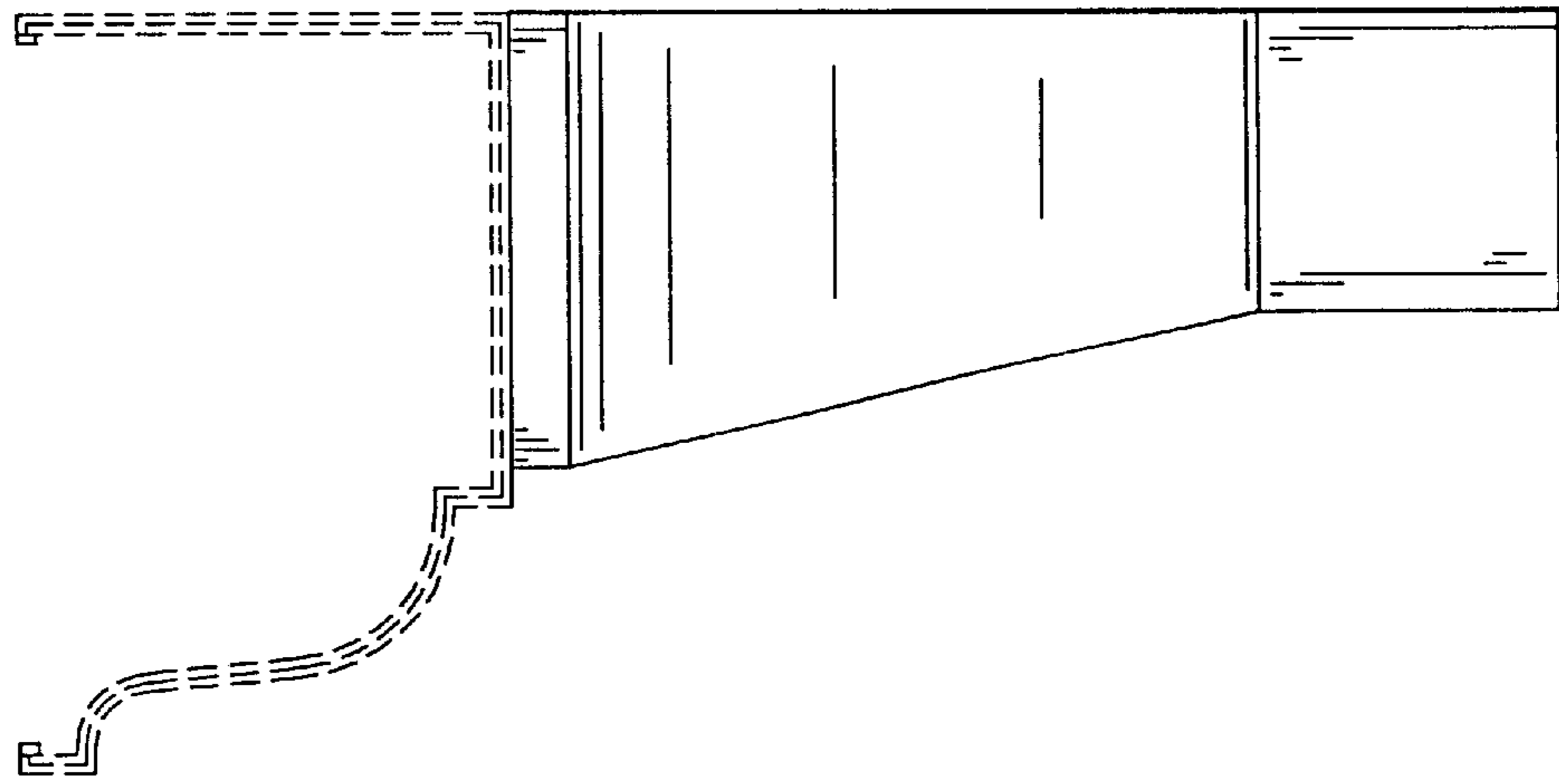


FIG. 2

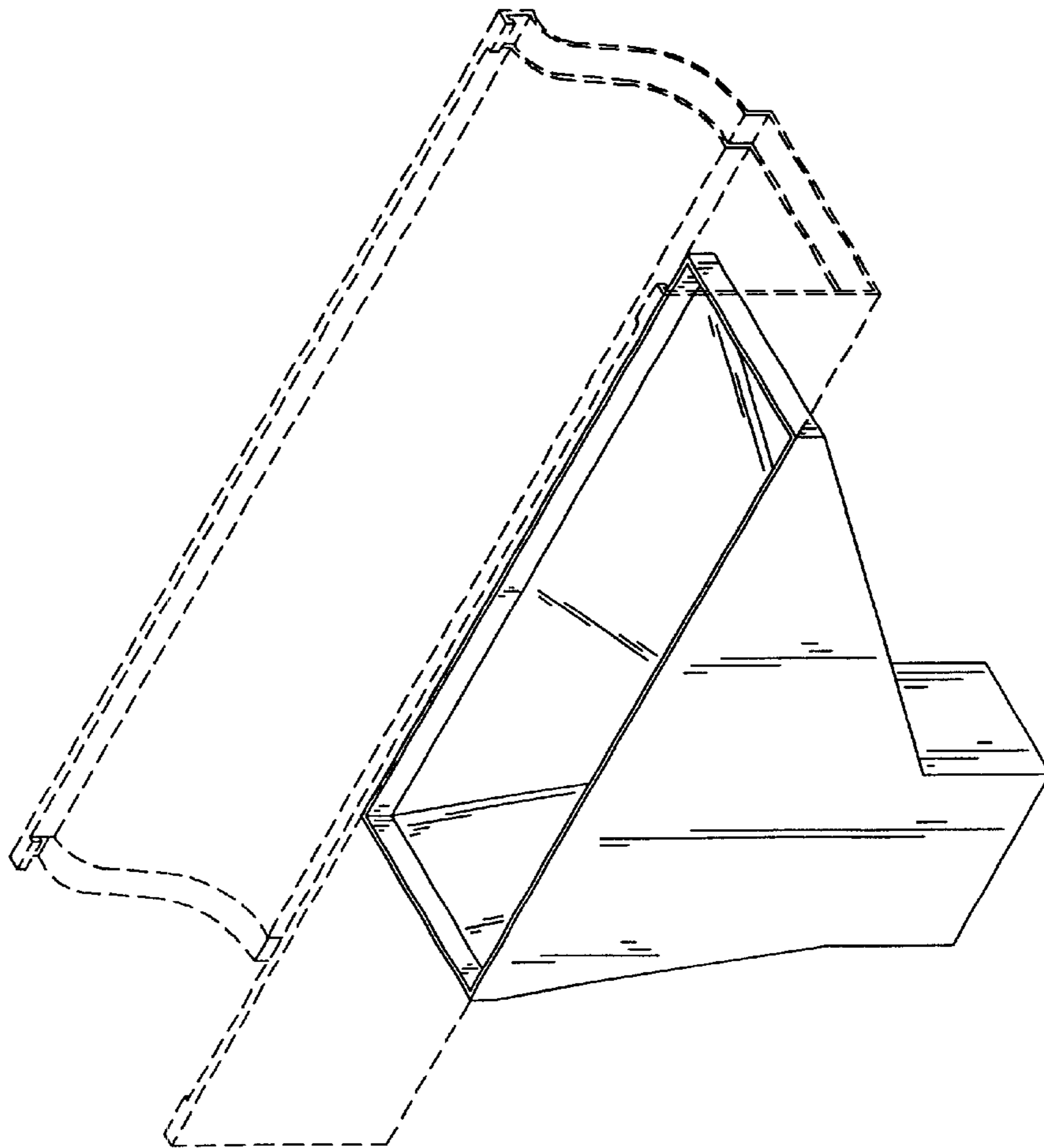


FIG. 1

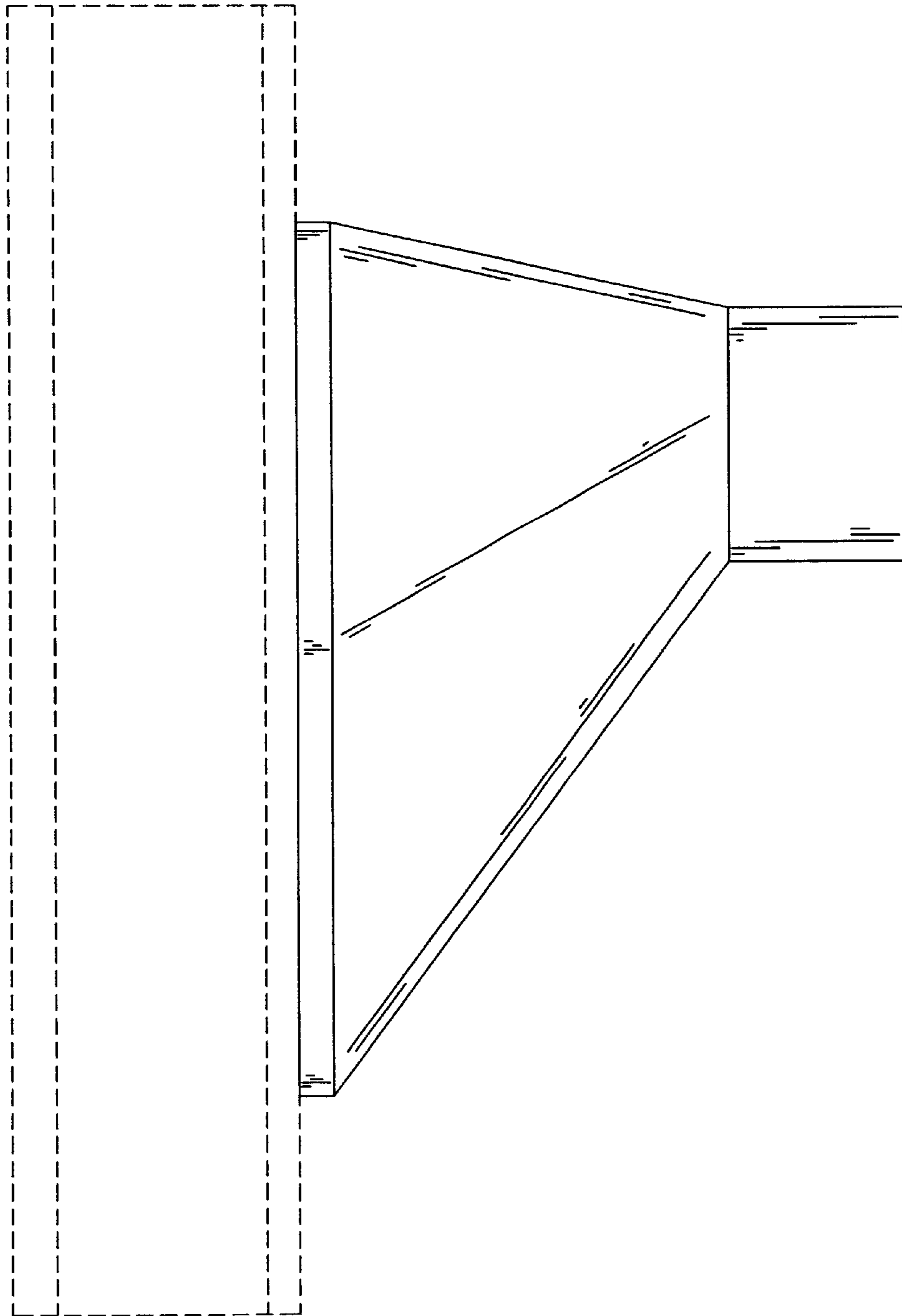


FIG. 3

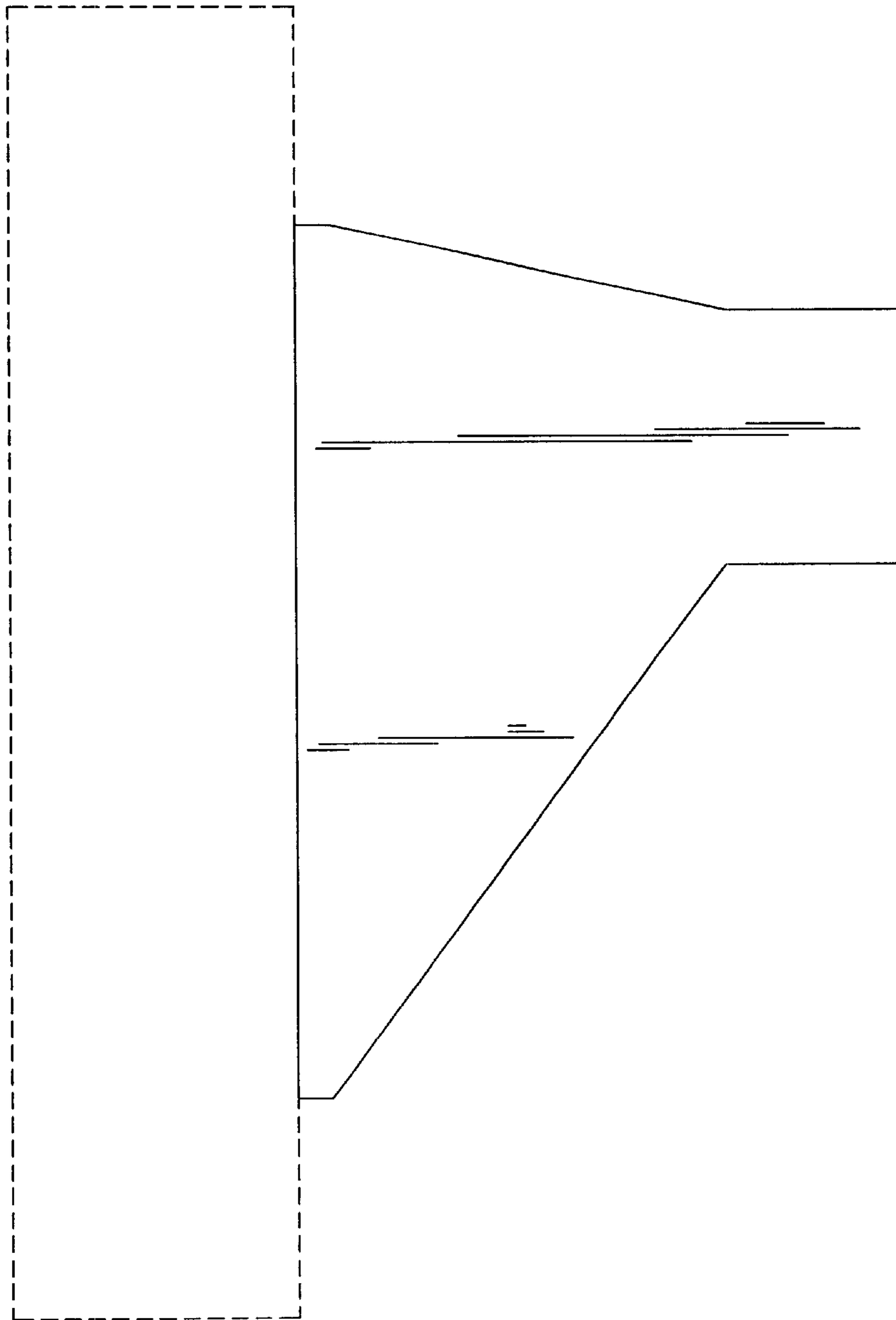


FIG. 4

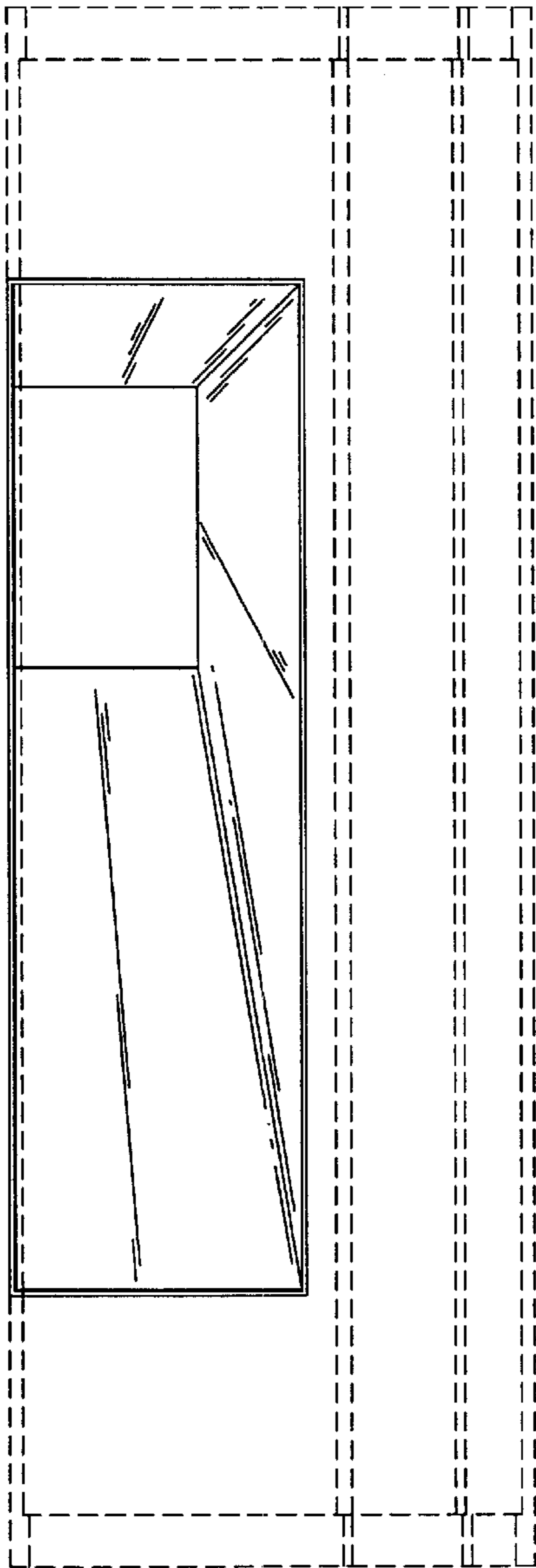


FIG. 5

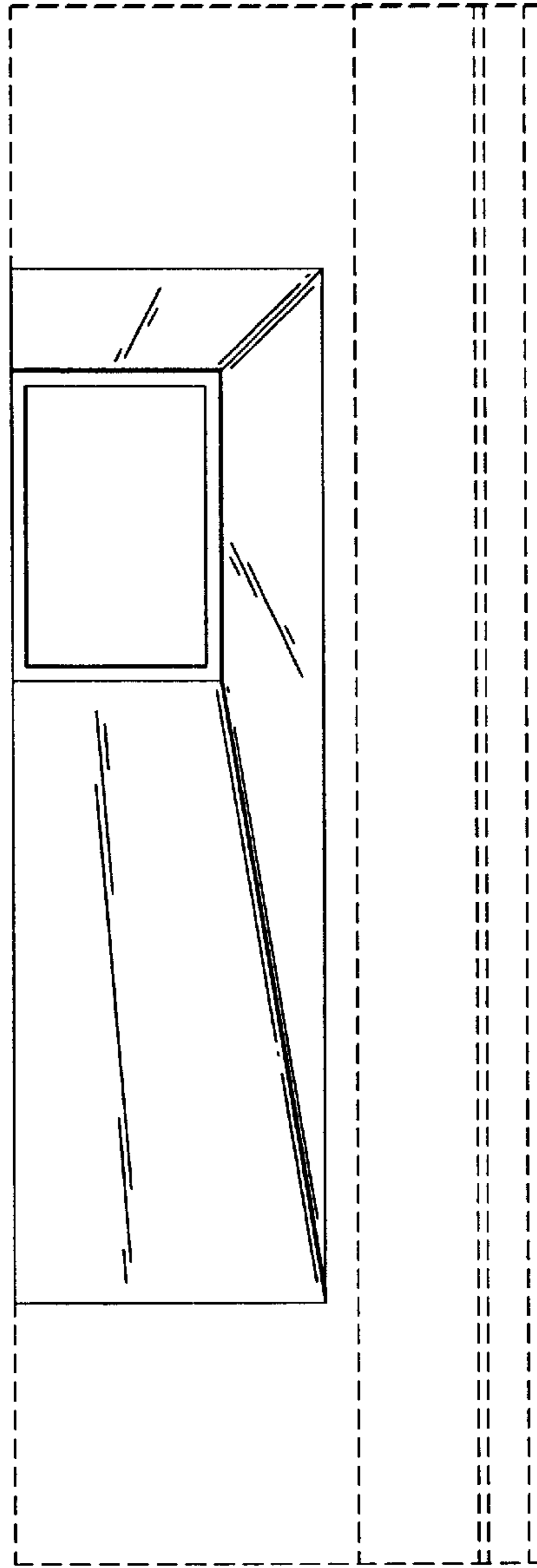


FIG. 6