



US00D482432S

(12) **United States Design Patent**  
**Matsumoto**

(10) **Patent No.:** **US D482,432 S**

(45) **Date of Patent:** **\*\* Nov. 18, 2003**

(54) **SOCKET OF PIPE COUPLING FOR CHARGING HYDROGEN**

(75) Inventor: **Koji Matsumoto, Tokyo (JP)**

(73) Assignee: **Nitto Kohki Co., Ltd., Tokyo (JP)**

(\*\*) Term: **14 Years**

(21) Appl. No.: **29/172,678**

(22) Filed: **Dec. 17, 2002**

(30) **Foreign Application Priority Data**

Jul. 17, 2002 (JP) ..... 2002-019169

(51) **LOC (7) Cl.** ..... **23-01**

(52) **U.S. Cl.** ..... **D23/262; D23/235**

(58) **Field of Search** ..... **D23/259, 260, D23/262, 235; 285/312, 316, 38; 251/149.1, 150**

(56) **References Cited**

**U.S. PATENT DOCUMENTS**

455,202 A \* 6/1891 Hampton ..... 285/1  
648,363 A \* 4/1900 Stultz et al. .... 285/283  
2,145,246 A \* 1/1939 Button ..... 137/495

D318,719 S \* 7/1991 Blatt ..... D23/262  
5,644,930 A \* 7/1997 Albertson et al. .... 62/475  
6,062,606 A \* 5/2000 Carpini et al. .... 285/38  
6,530,605 B1 \* 3/2003 Weh et al. .... 285/308

\* cited by examiner

*Primary Examiner*—Robin V. Taylor

(74) *Attorney, Agent, or Firm*—Wenderoth, Lind & Ponack, L.L.P.

(57) **CLAIM**

The ornamental design for a socket of pipe coupling for charging hydrogen, as shown and described.

**DESCRIPTION**

FIG. 1 is a front elevational view of a socket of pipe coupling for charging hydrogen showing my new design; FIG. 2 is a rear elevational view thereof; FIG. 3 is a left side elevational view thereof; FIG. 4 is a right side elevational view thereof; FIG. 5 is a top plan view thereof; FIG. 6 is a bottom plan view thereof; and, FIG. 7 is a perspective view thereof when seen from the top and right side of the back.

**1 Claim, 5 Drawing Sheets**

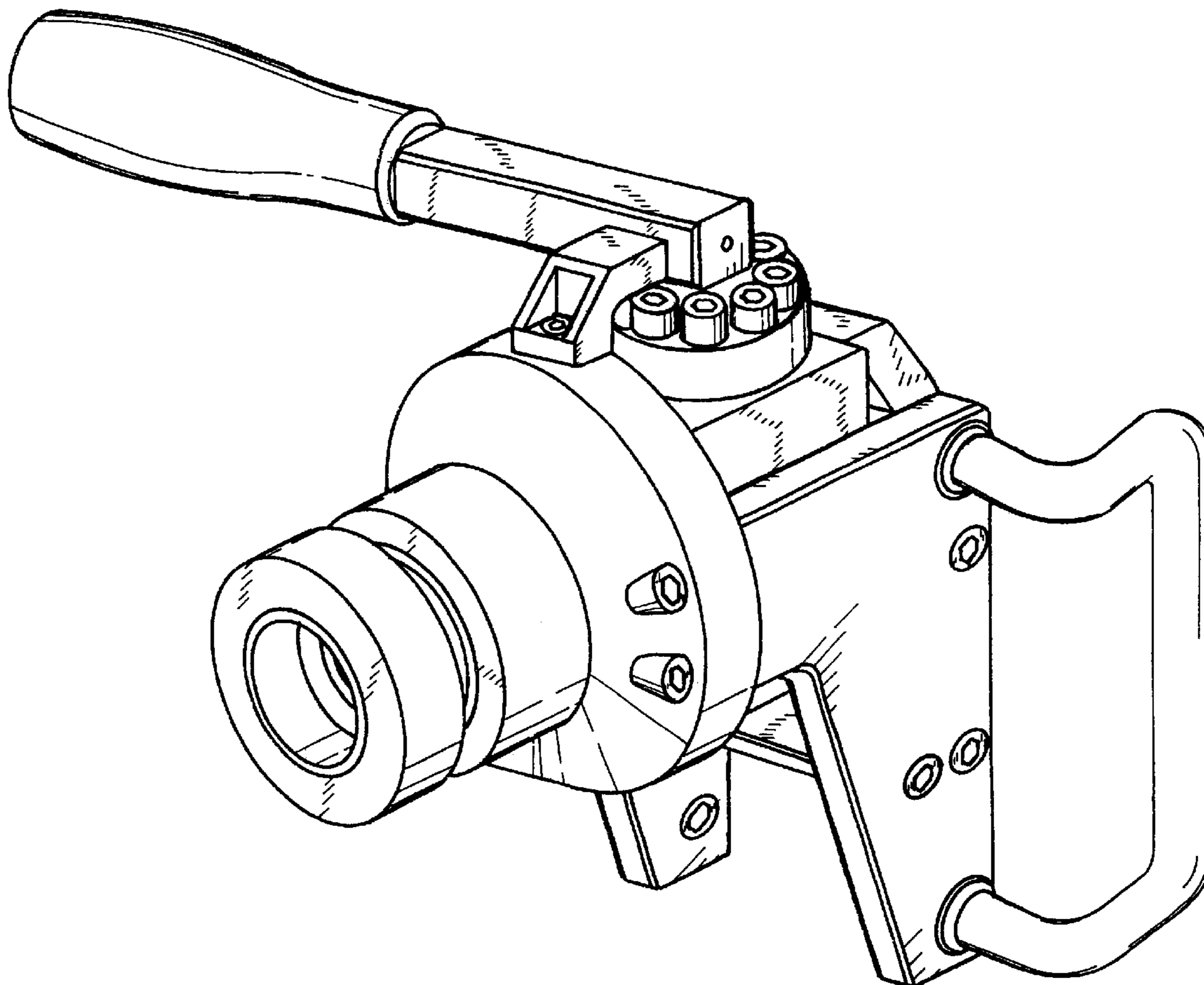


FIG. 1

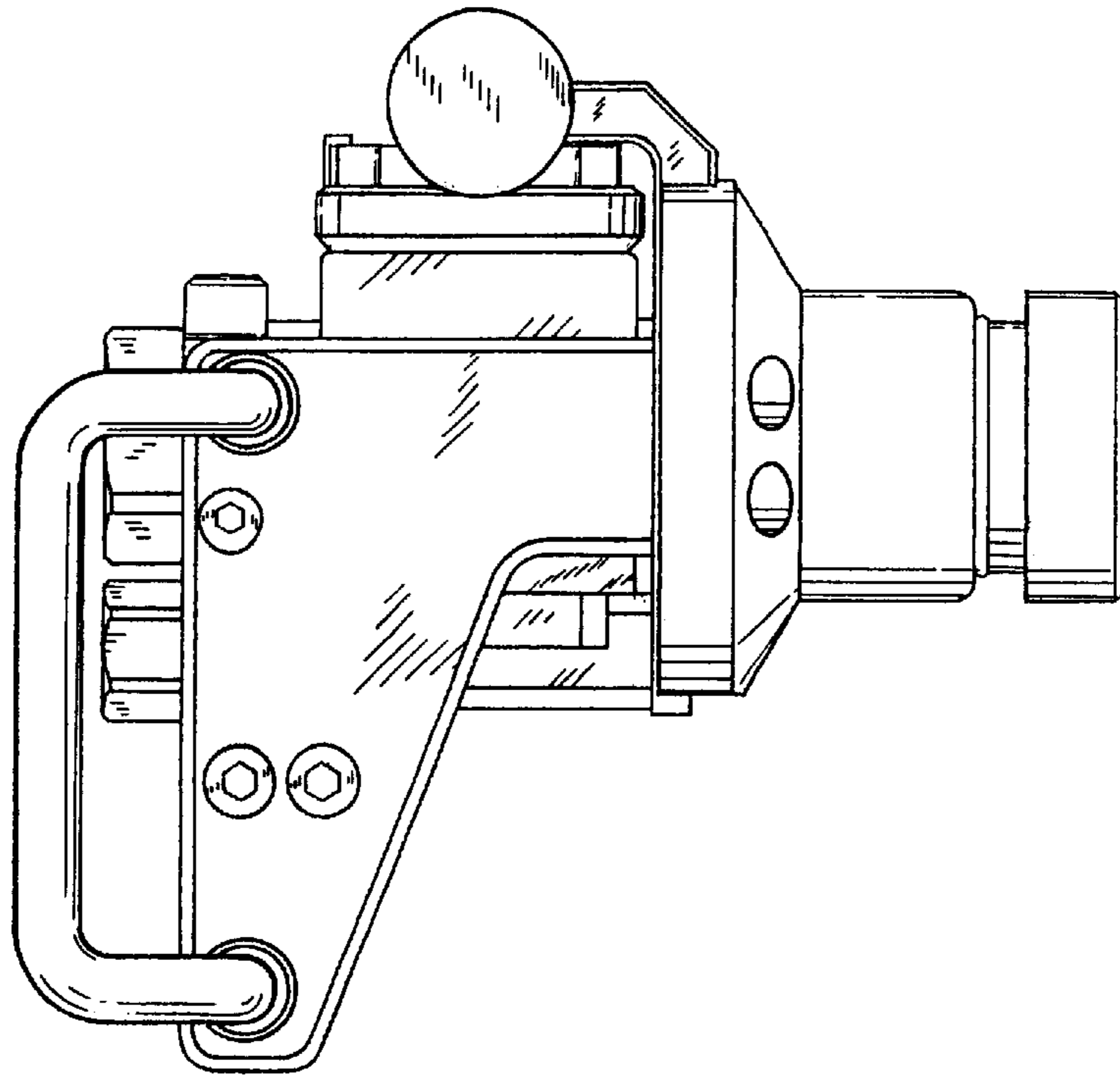


FIG. 2

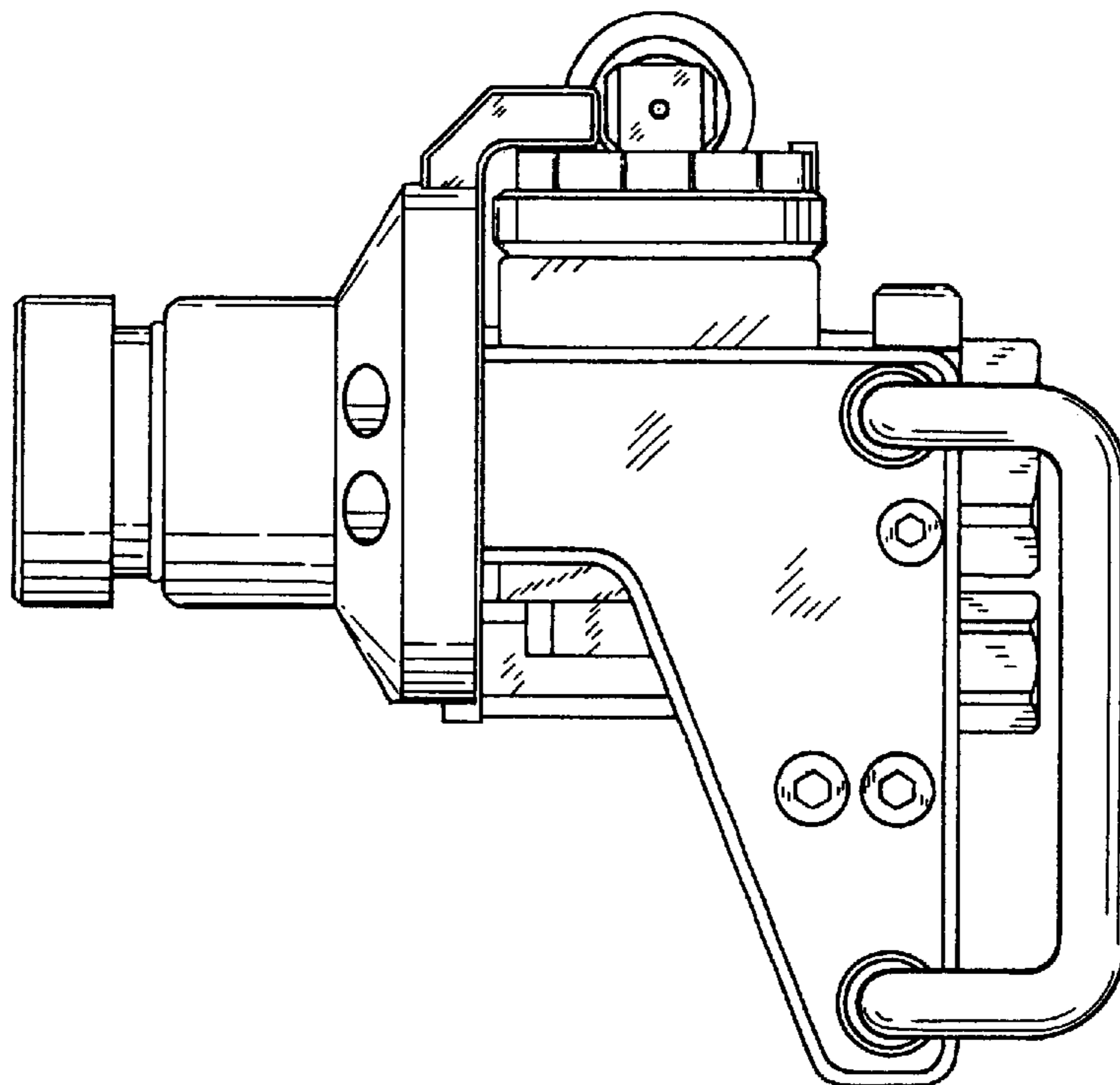


FIG. 3

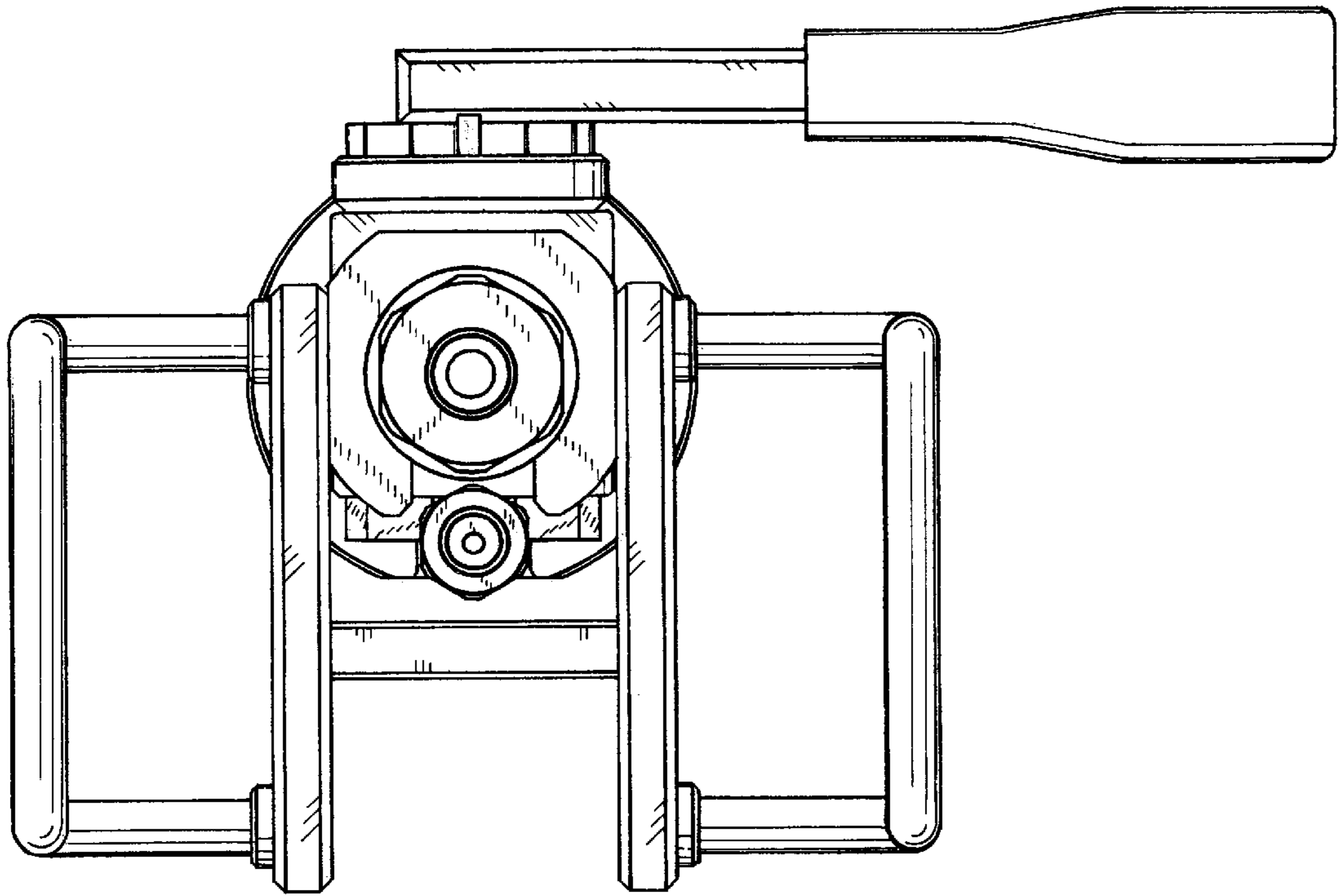


FIG. 4

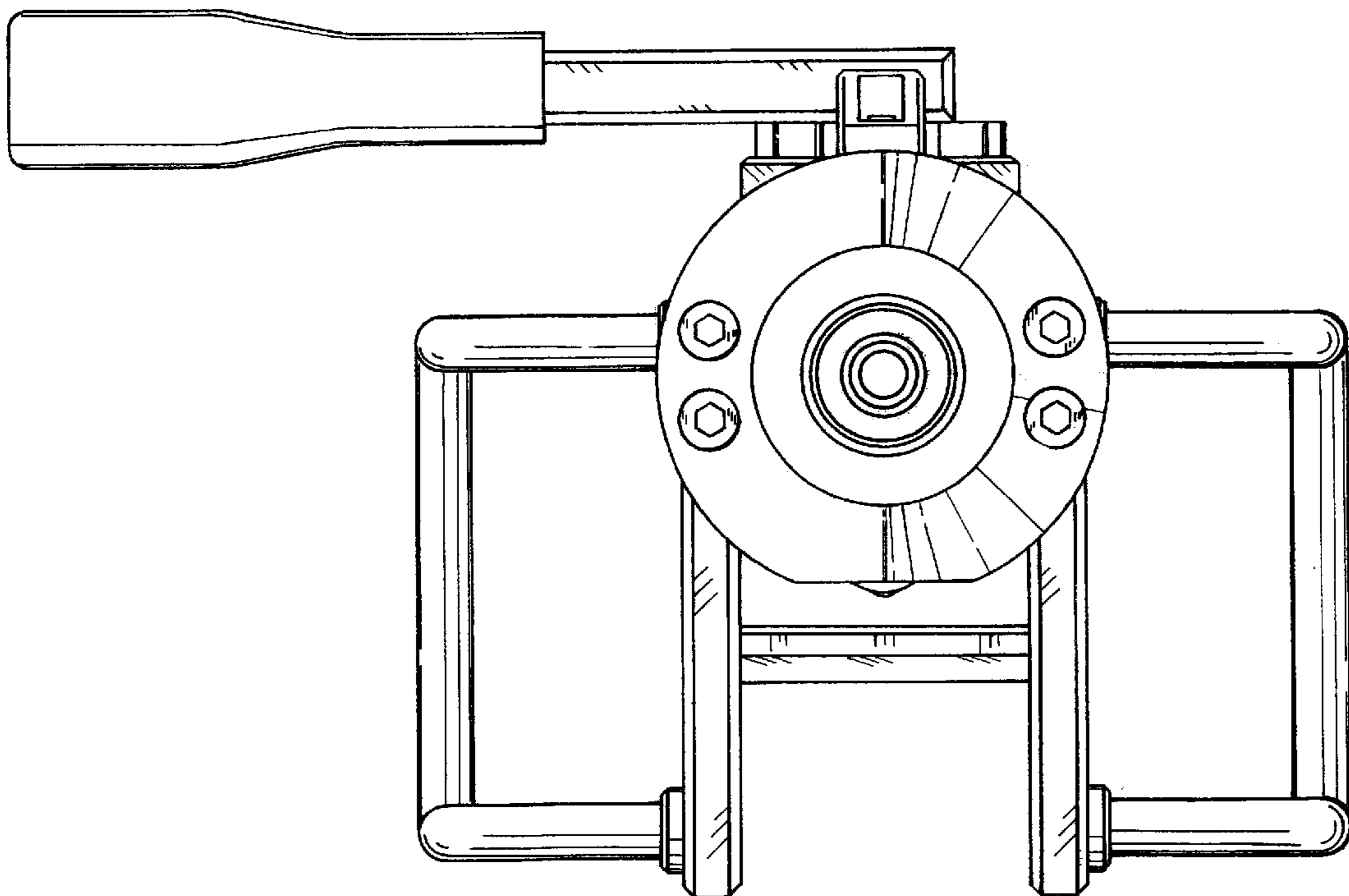


FIG. 5

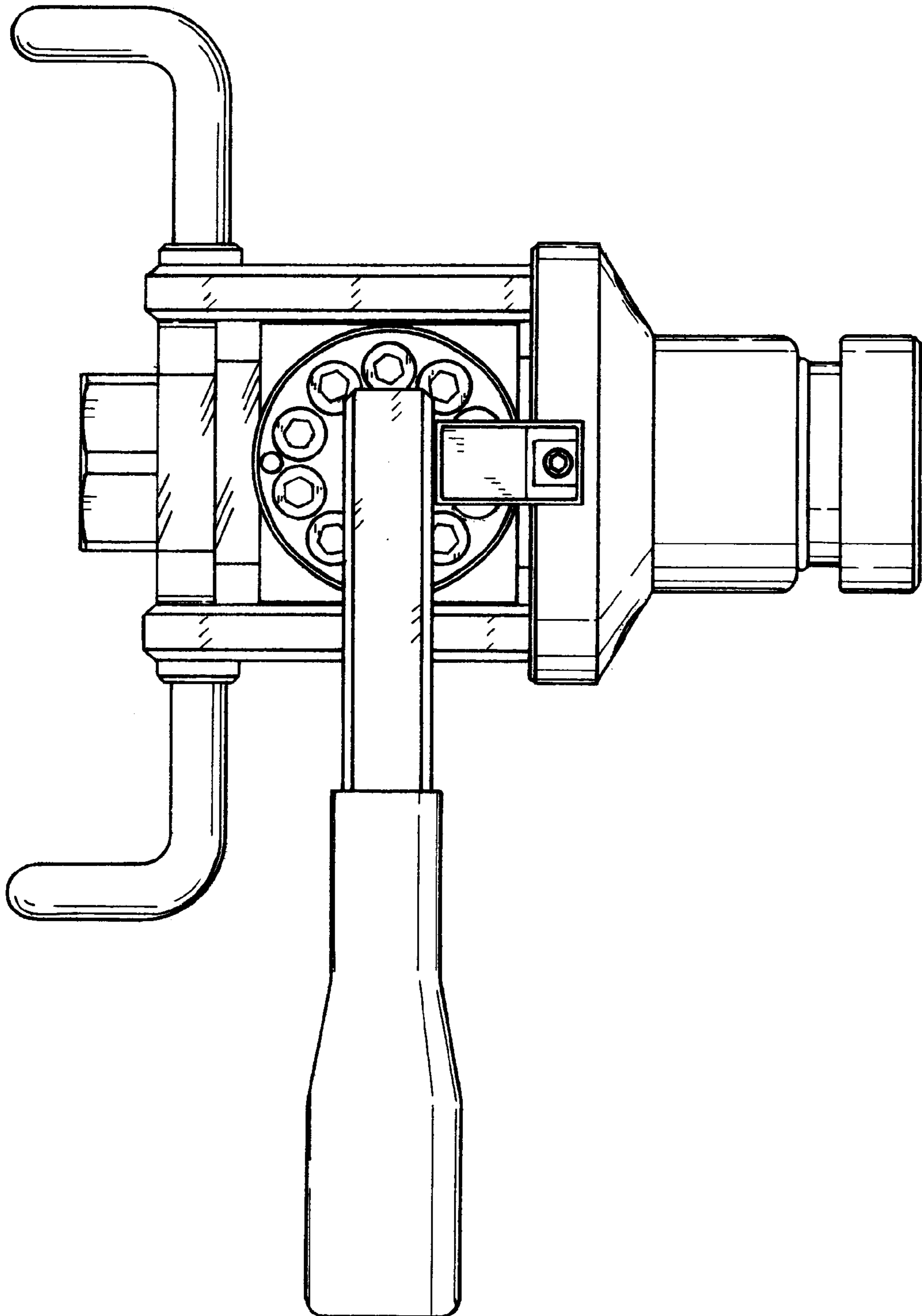


FIG. 6

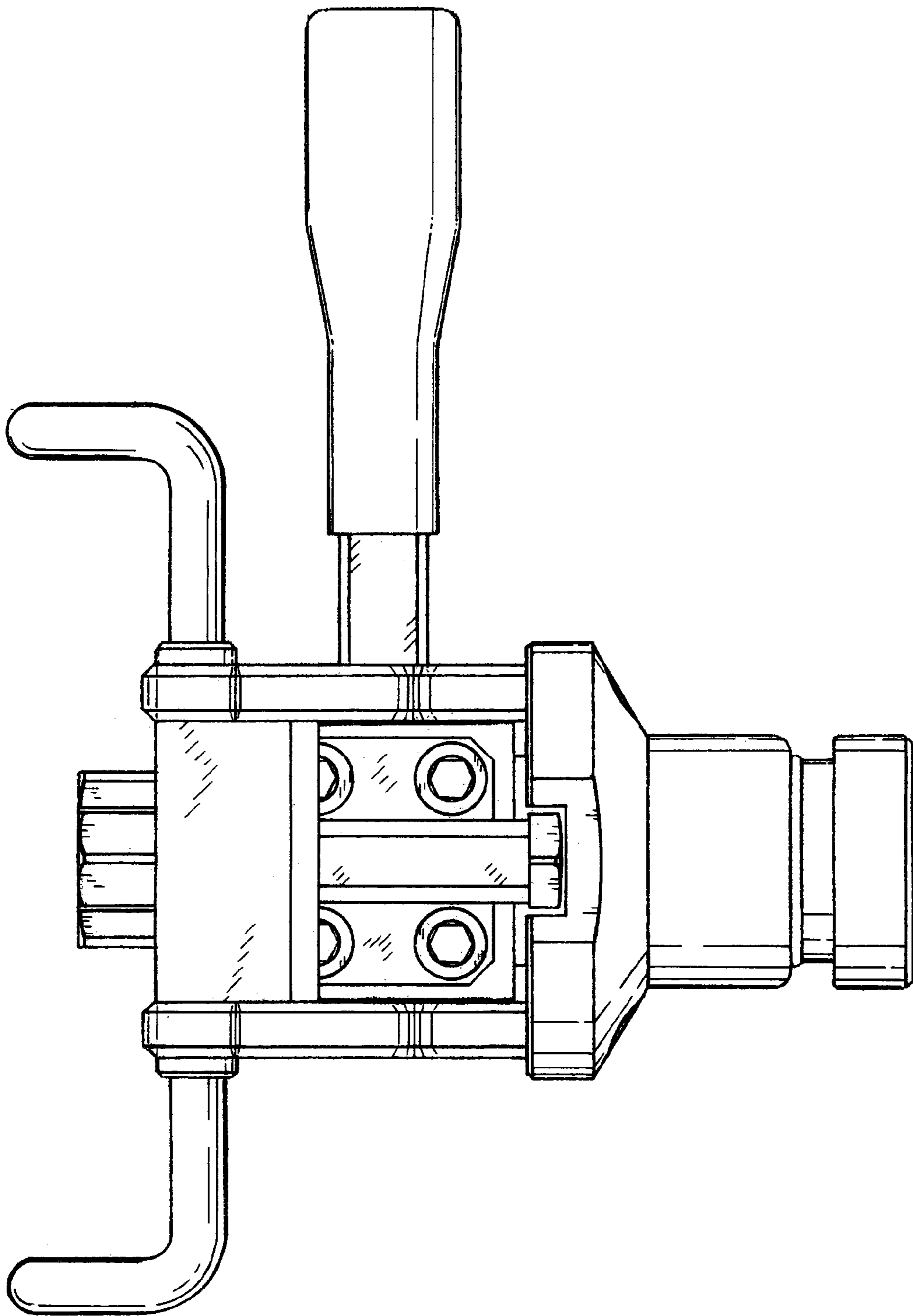


FIG. 7

