



US00D482431S

(12) **United States Design Patent**
Ball

(10) **Patent No.:** **US D482,431 S**

(45) **Date of Patent:** **** Nov. 18, 2003**

(54) **WALL HYDRANT**

2001/0003350 A1 6/2001 Gandy et al.

(75) Inventor: **William T. Ball**, Colorado Springs, CO (US)

Primary Examiner—Nelson C. Holtje

(73) Assignee: **WCM Industries, Inc.**, Colorado Springs, CO (US)

(57) **CLAIM**

I claim the ornamental design for a wall hydrant, as shown and described.

(**) Term: **14 Years**

DESCRIPTION

(21) Appl. No.: **29/178,253**

FIG. 1 is a frontal perspective view of a wall hydrant showing my new design;

(22) Filed: **Mar. 24, 2003**

FIG. 2 is a front elevational view thereof;

(51) **LOC (7) Cl.** **23-01**

(52) **U.S. Cl.** **D23/234**

(58) **Field of Search** D23/233–234,
D23/245; 137/286, 302, 359–360, 377,
282; 251/109, 291, 215, 295

FIG. 3 is a side elevational view thereof; as seen from the righthand side of FIG. 2;

FIG. 4 is a side elevational view thereof opposite to FIG. 3;

FIG. 5 is a top plan view thereof;

FIG. 6 is a bottom plan view thereof;

FIG. 7 is a frontal perspective view of an alternate form of a wall hydrant showing my new design having a flat cover;

FIG. 8 is a front elevation view of FIG. 7;

FIG. 9 is a side elevational view thereof; as seen from the righthand side of FIG. 8;

FIG. 10 is a side elevational view thereof opposite to FIG. 9;

FIG. 11 is a top plan view; and

FIG. 12 is a bottom plan view of FIG. 7;

FIG. 13 is a perspective view of the wall hydrant with the cover removed;

FIG. 14 is a front elevational view thereof;

FIG. 15 is a side elevational view thereof as seen from the right-hand side of FIG. 14;

FIG. 16 is a side elevational view thereof opposite to FIG. 15;

FIG. 17 is a top plan view thereof;

FIG. 18 is a bottom plan view thereof; and,

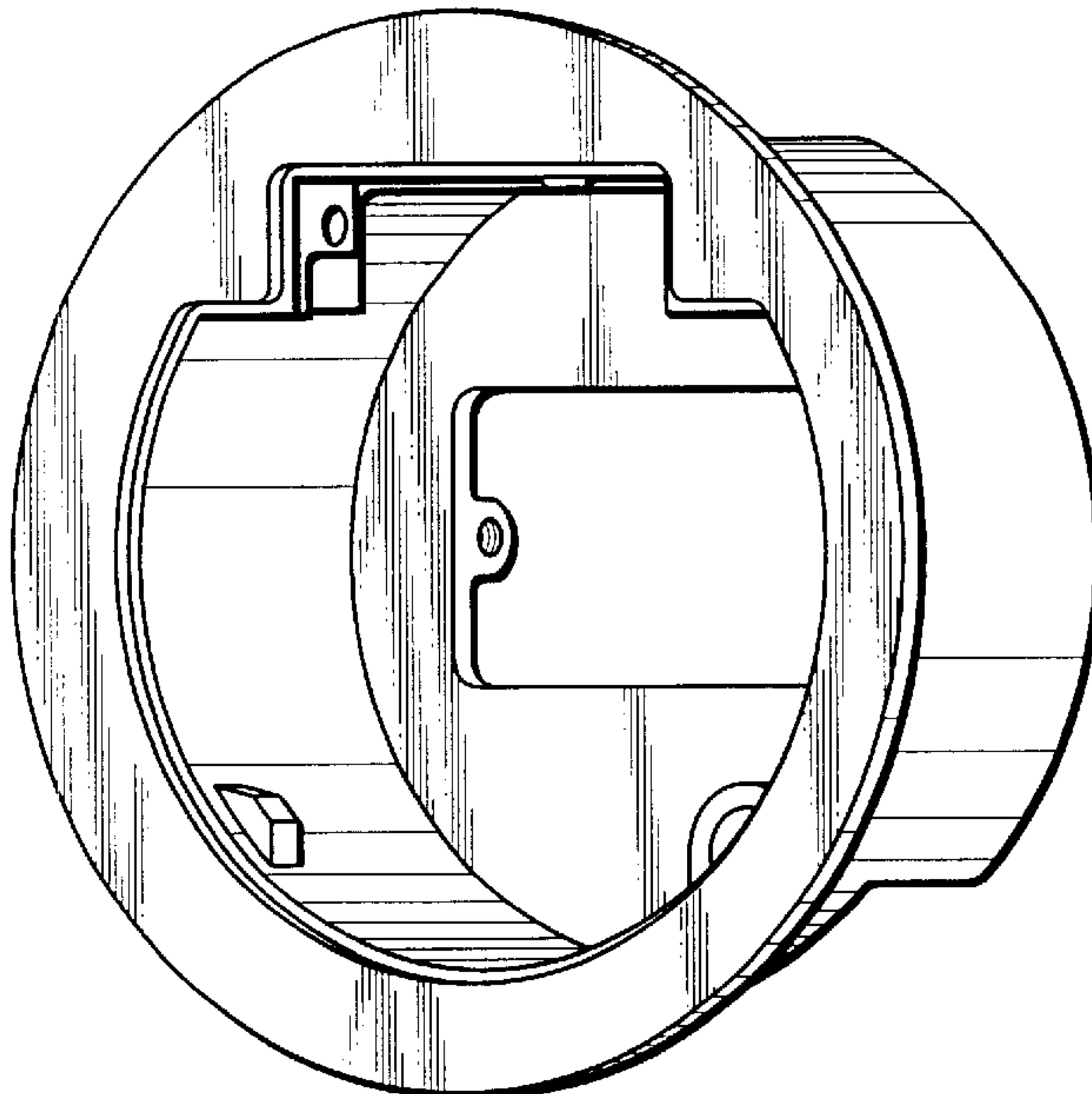
FIG. 19 is a rear elevational view of FIGS. 1, 7 and 13.

(56) **References Cited**

U.S. PATENT DOCUMENTS

556,500 A	3/1896	Fox
616,542 A	12/1898	Koehne
695,147 A	3/1902	Denney
1,310,521 A	7/1919	Crall
1,774,307 A	8/1930	Willig
3,283,093 A	11/1966	Bishop
D227,365 S	6/1973	Woodford
D227,366 S	6/1973	Woodford
D236,892 S	9/1975	Carlson
D275,512 S	9/1984	Shaw
4,946,434 A	8/1990	Plaisted et al.
5,050,632 A	9/1991	Means, Jr.
5,653,254 A	8/1997	Condon et al.
5,690,141 A	11/1997	Craeghe
5,964,246 A	10/1999	Meeker
6,247,491 B1	6/2001	Petryna
D470,915 S	2/2003	Ball

1 Claim, 7 Drawing Sheets



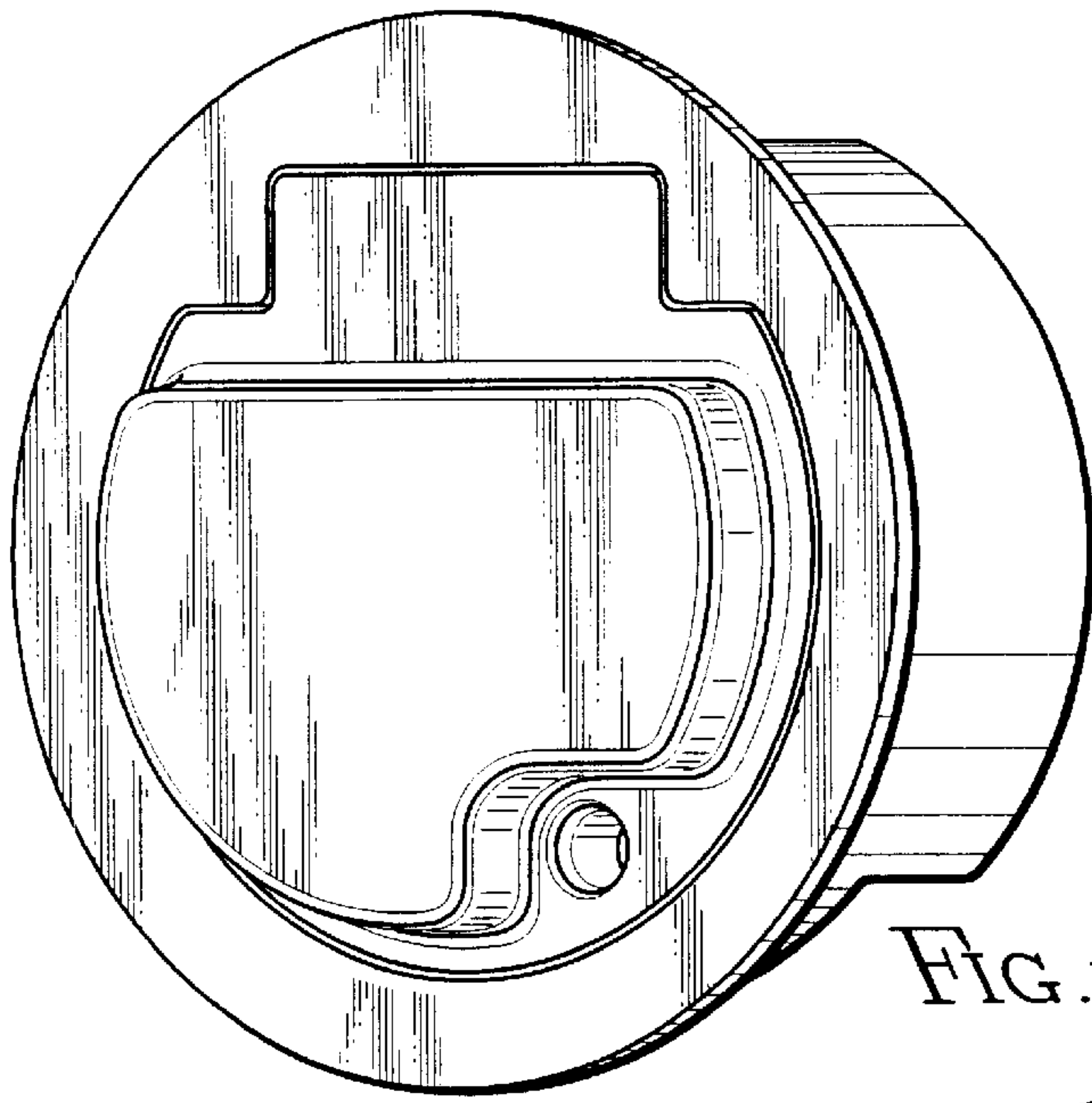


FIG. 1

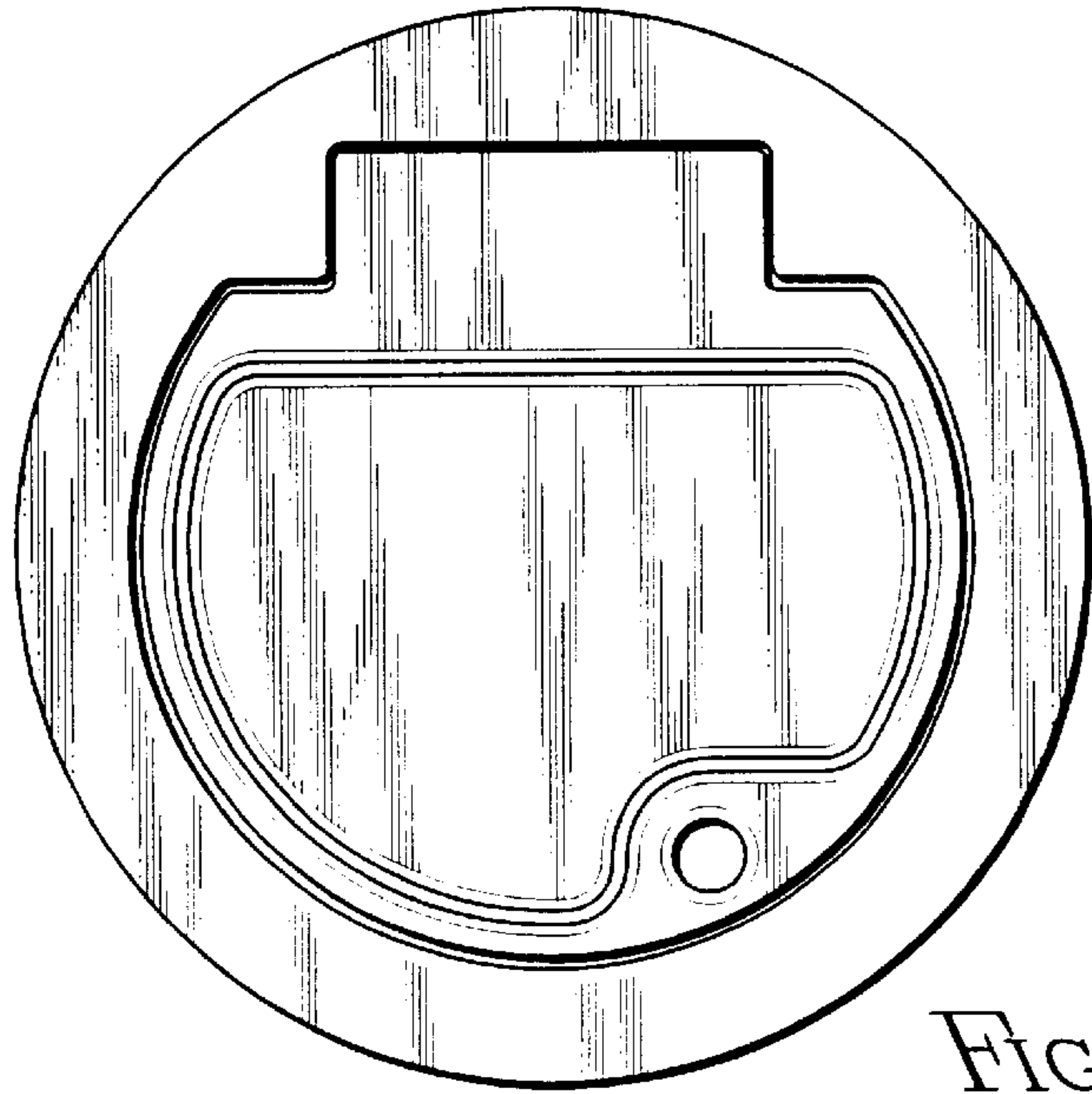


FIG. 2

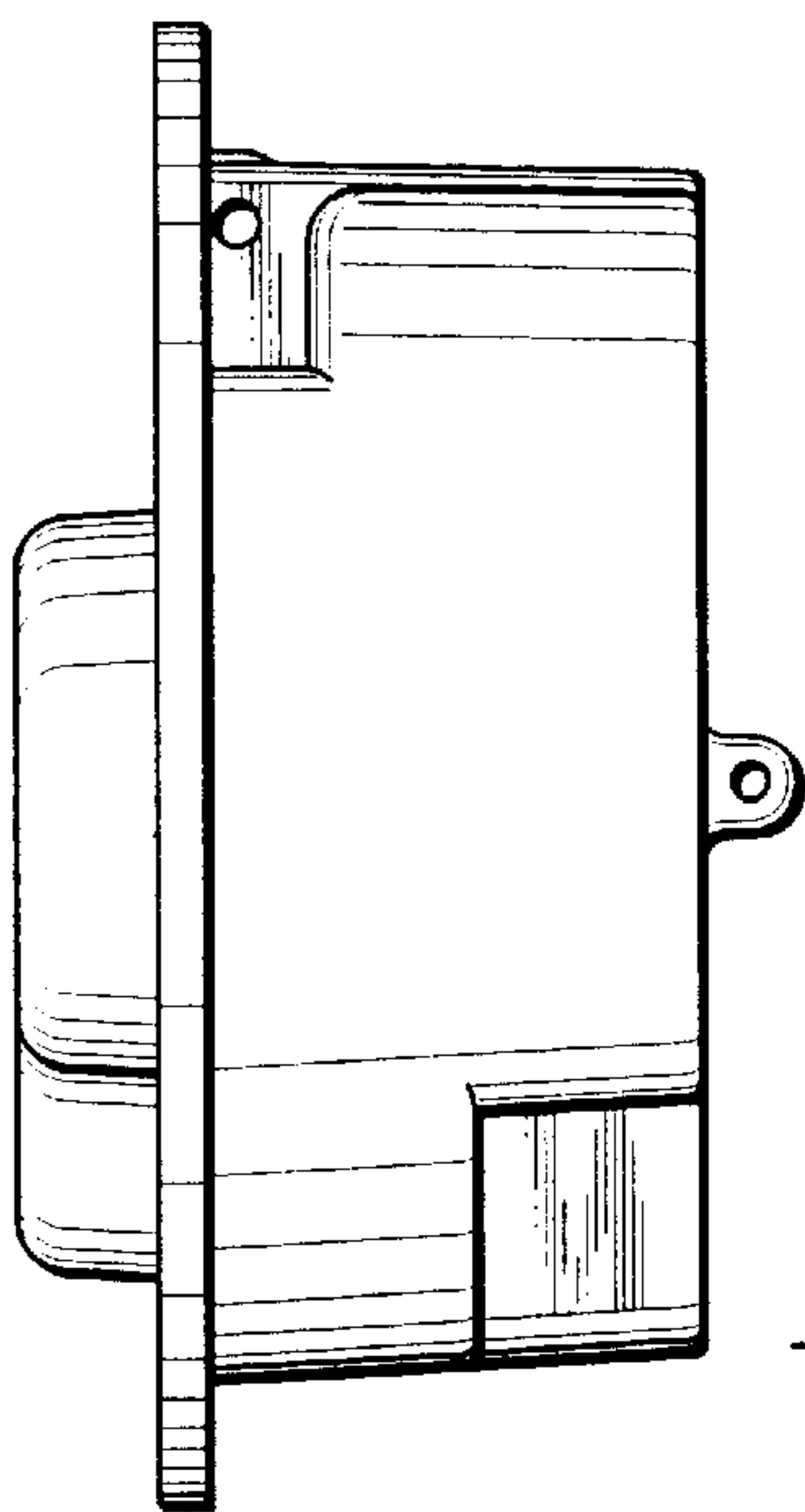


FIG. 3

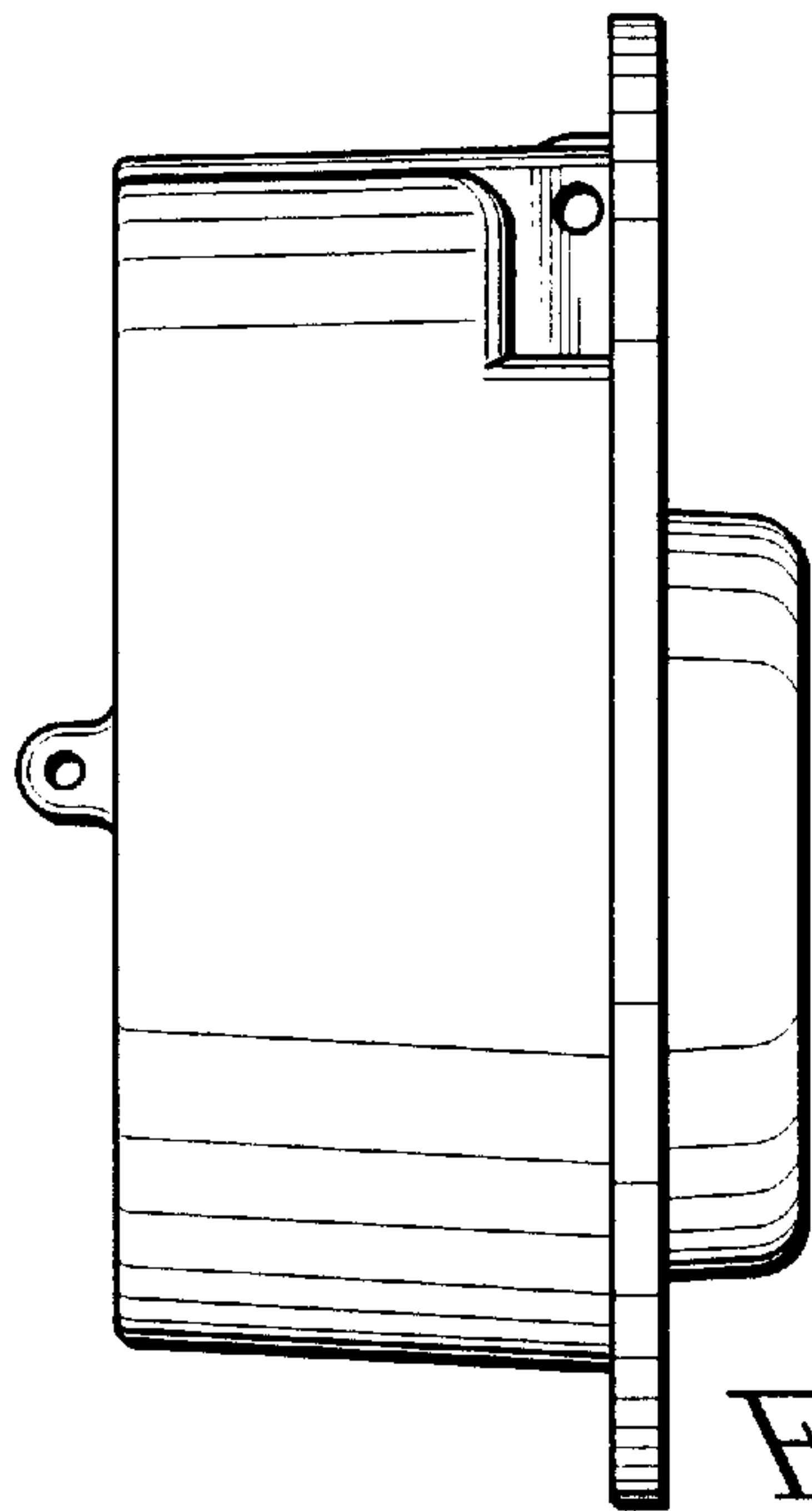


FIG. 4

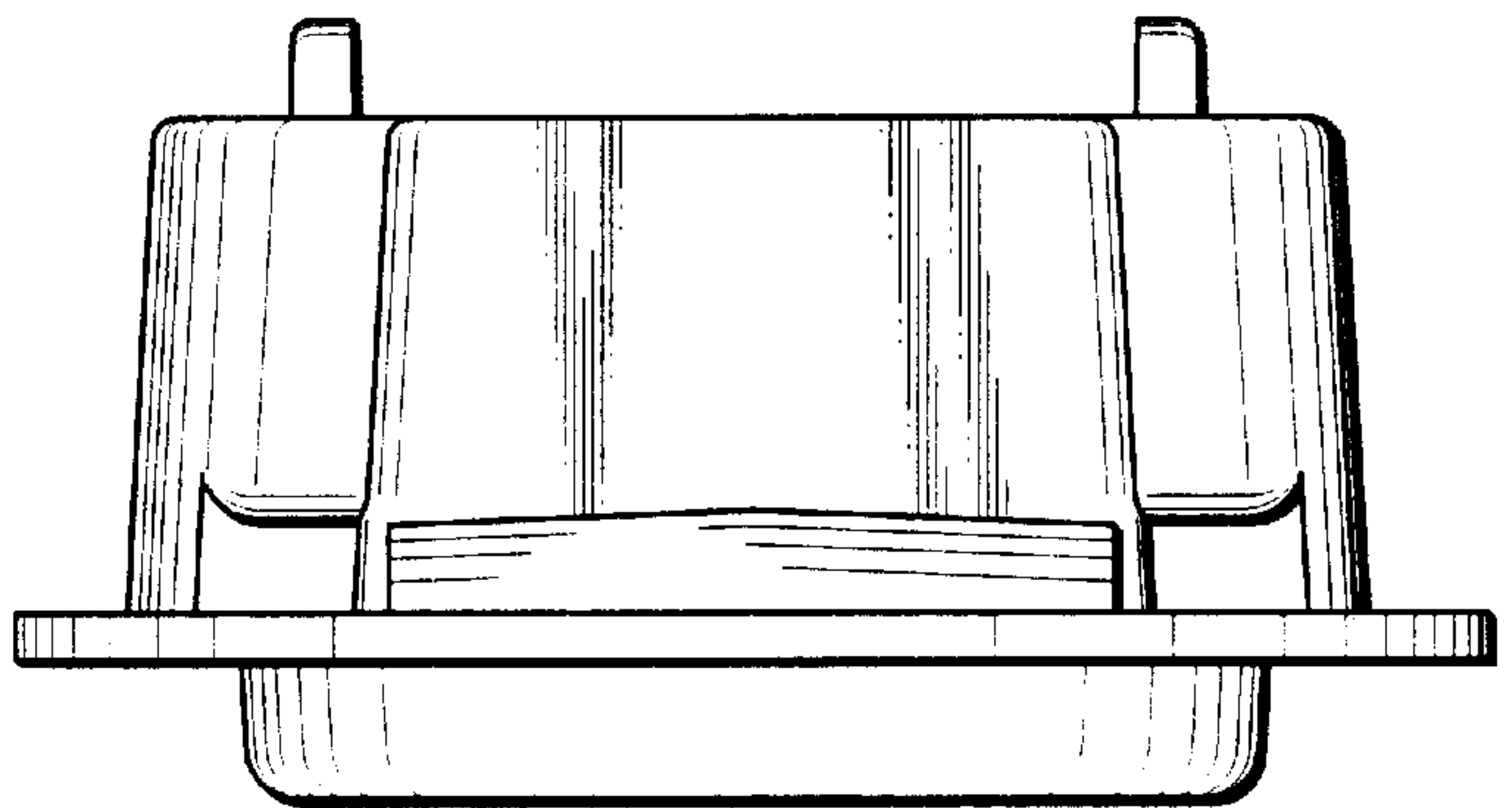


FIG. 5

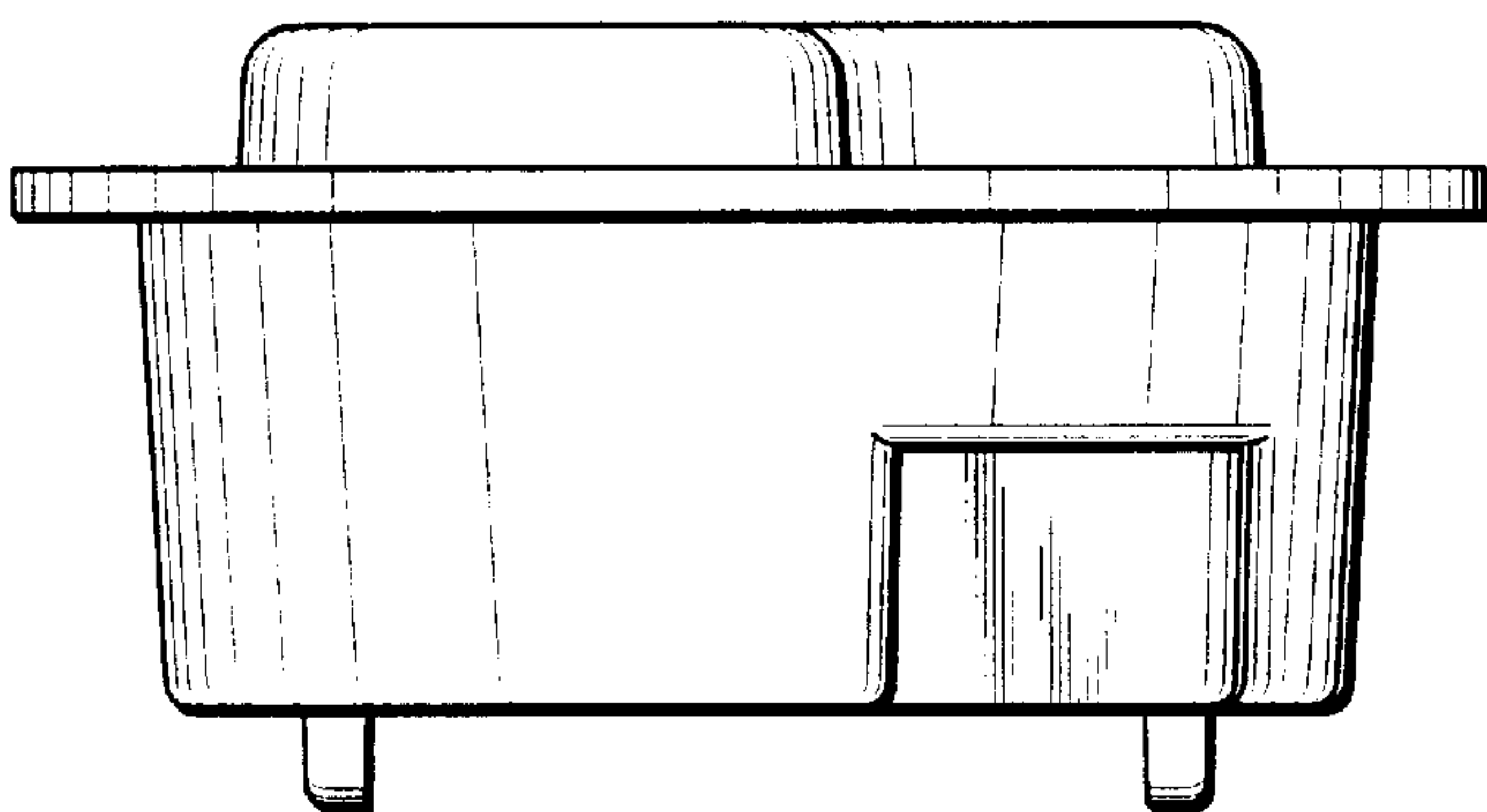


FIG. 6

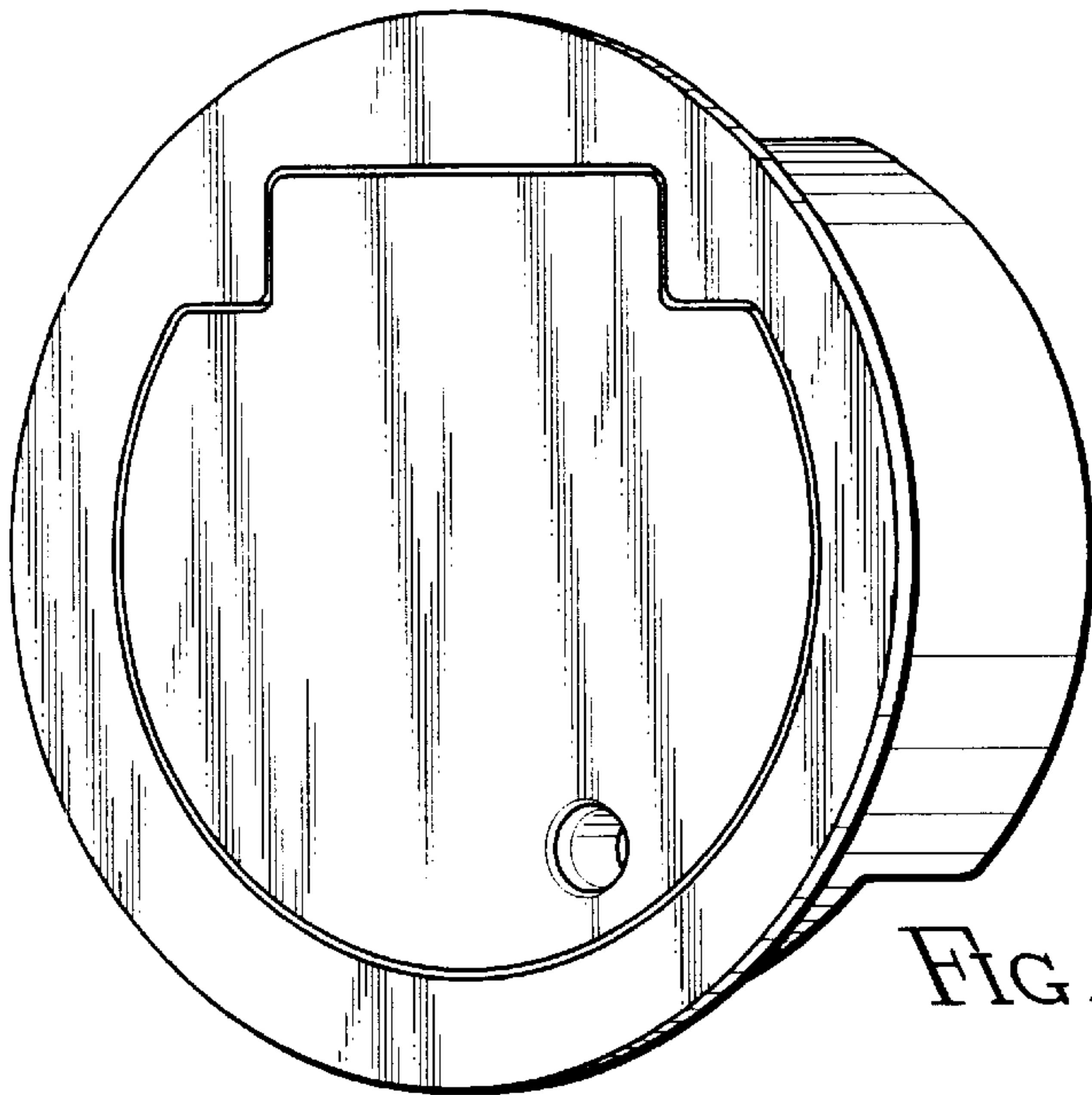


FIG. 7

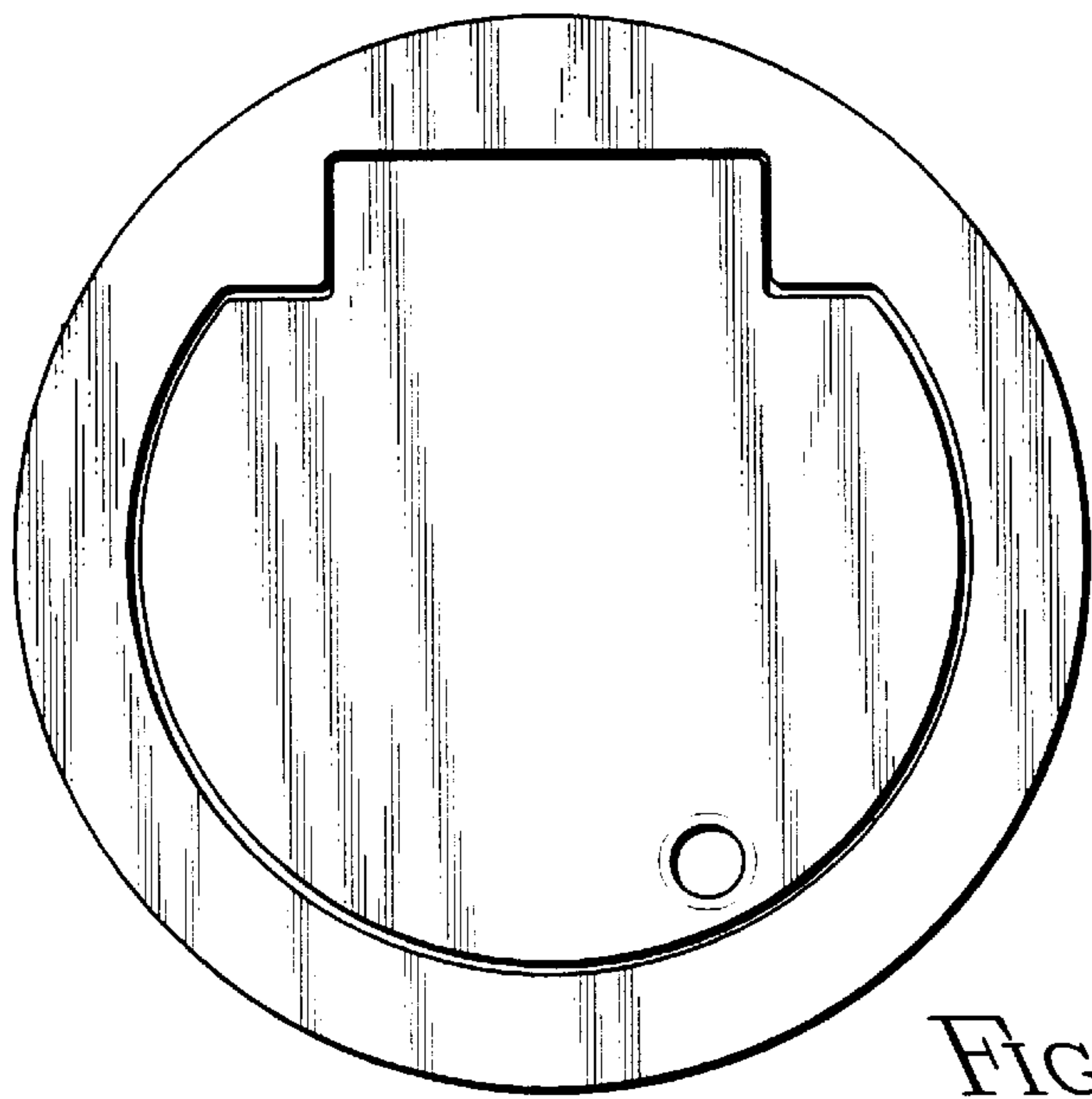


FIG. 8

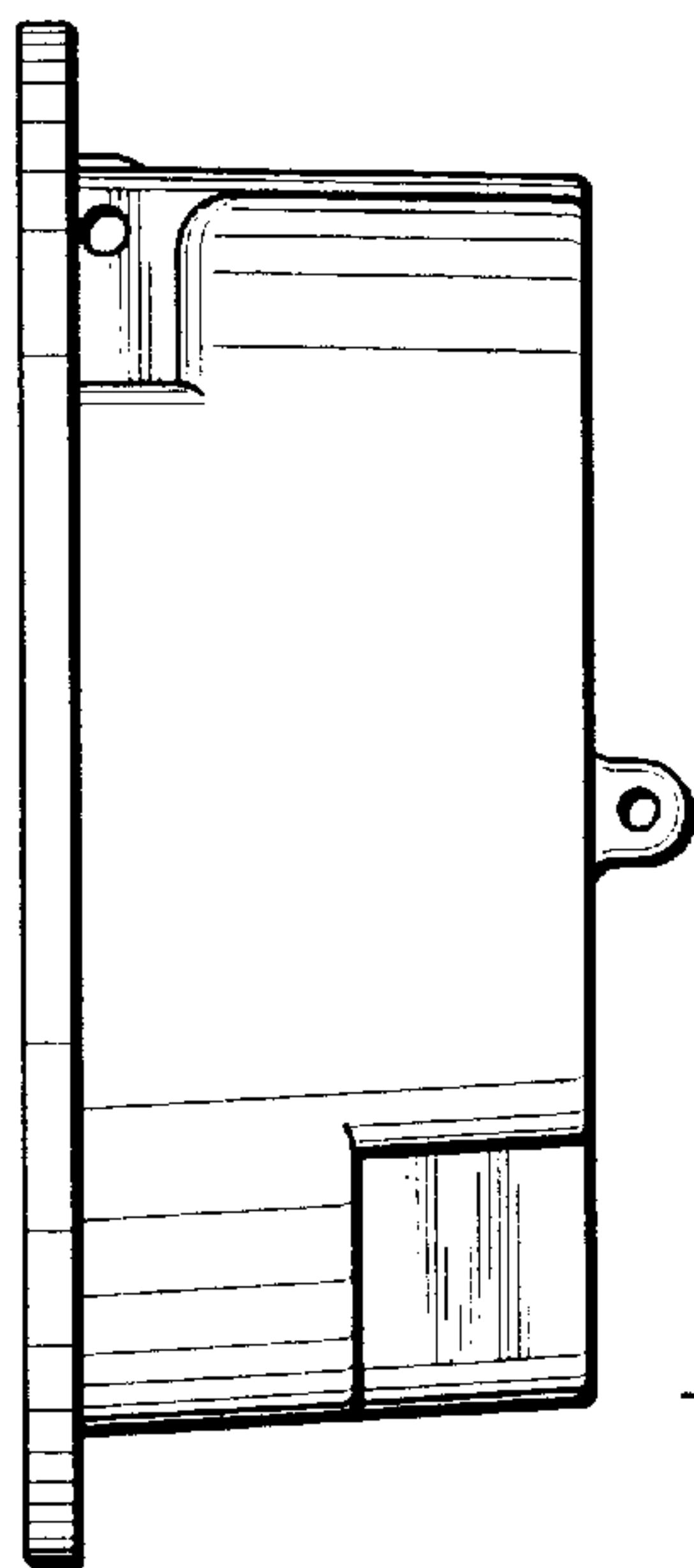


FIG. 9

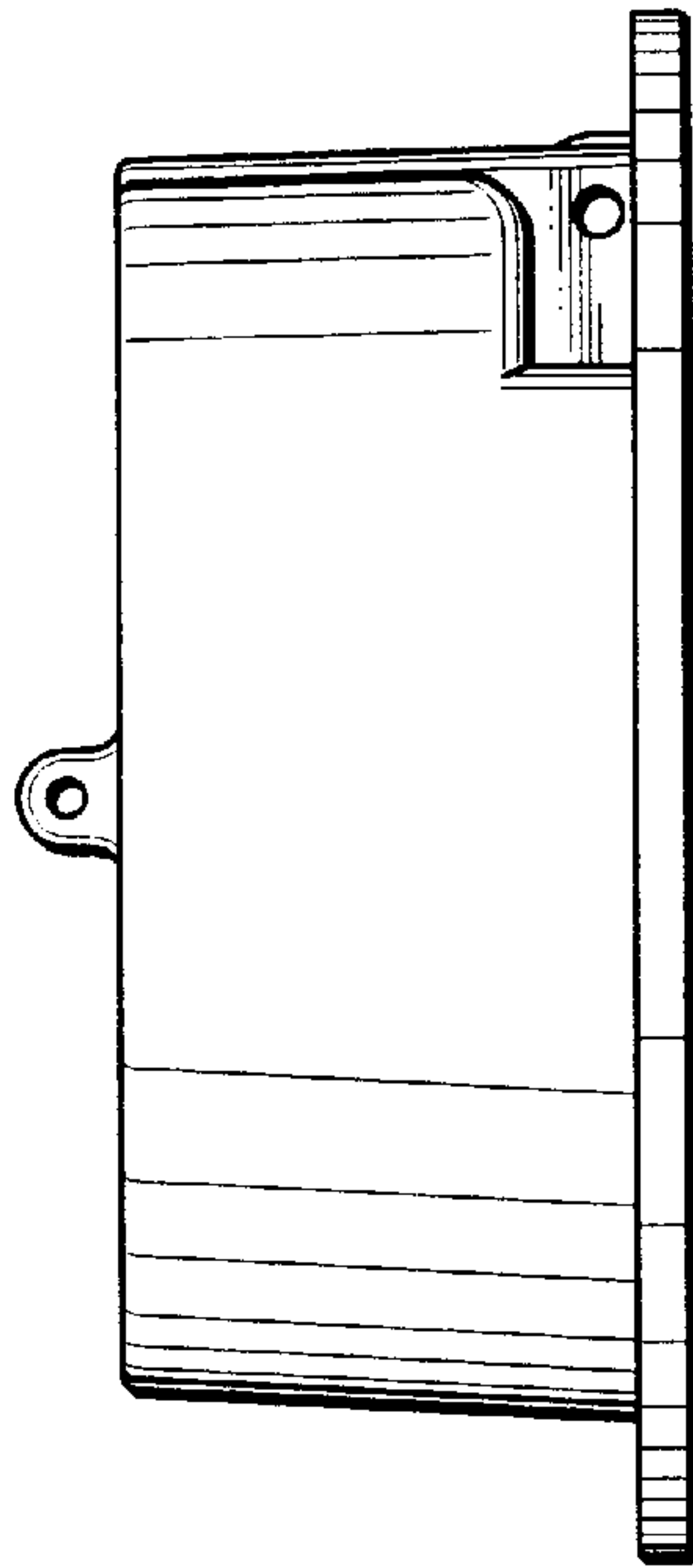


FIG. 10

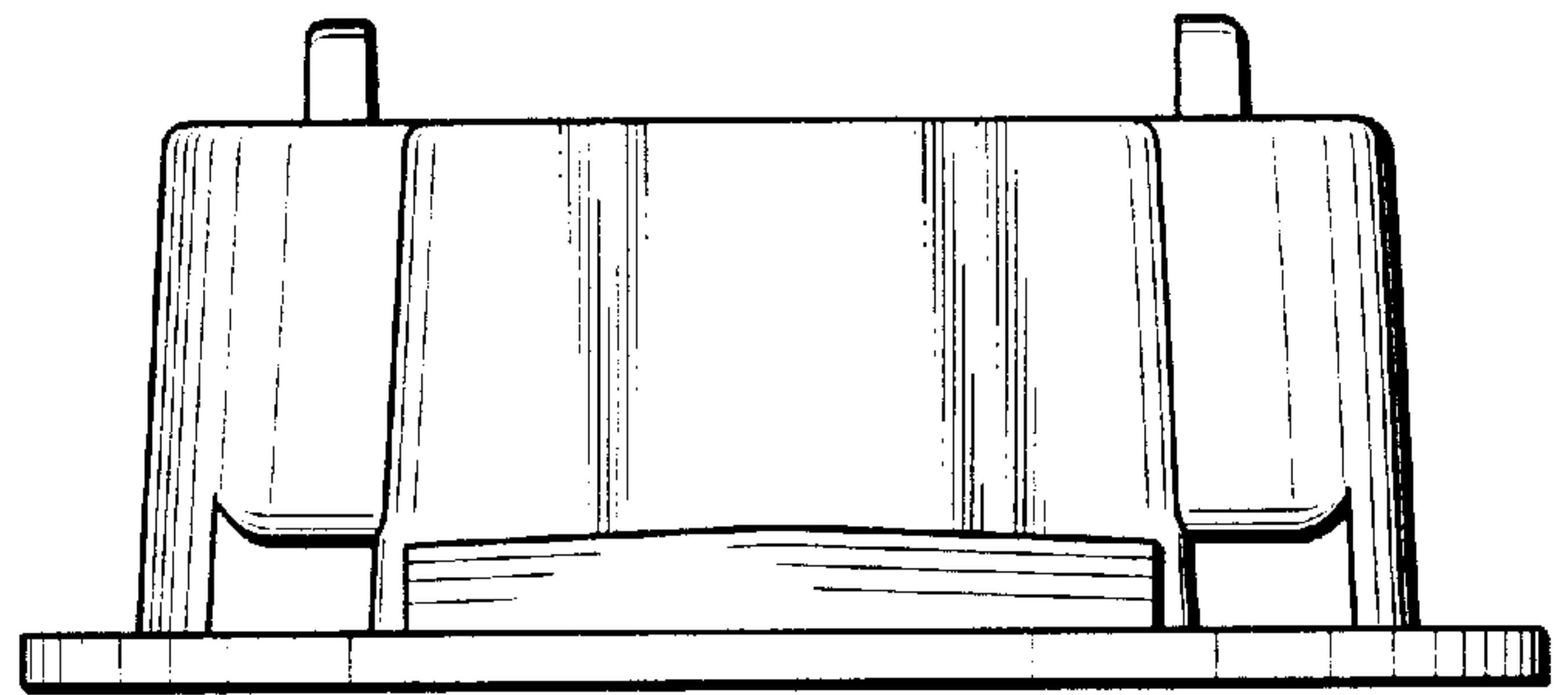


FIG. 11

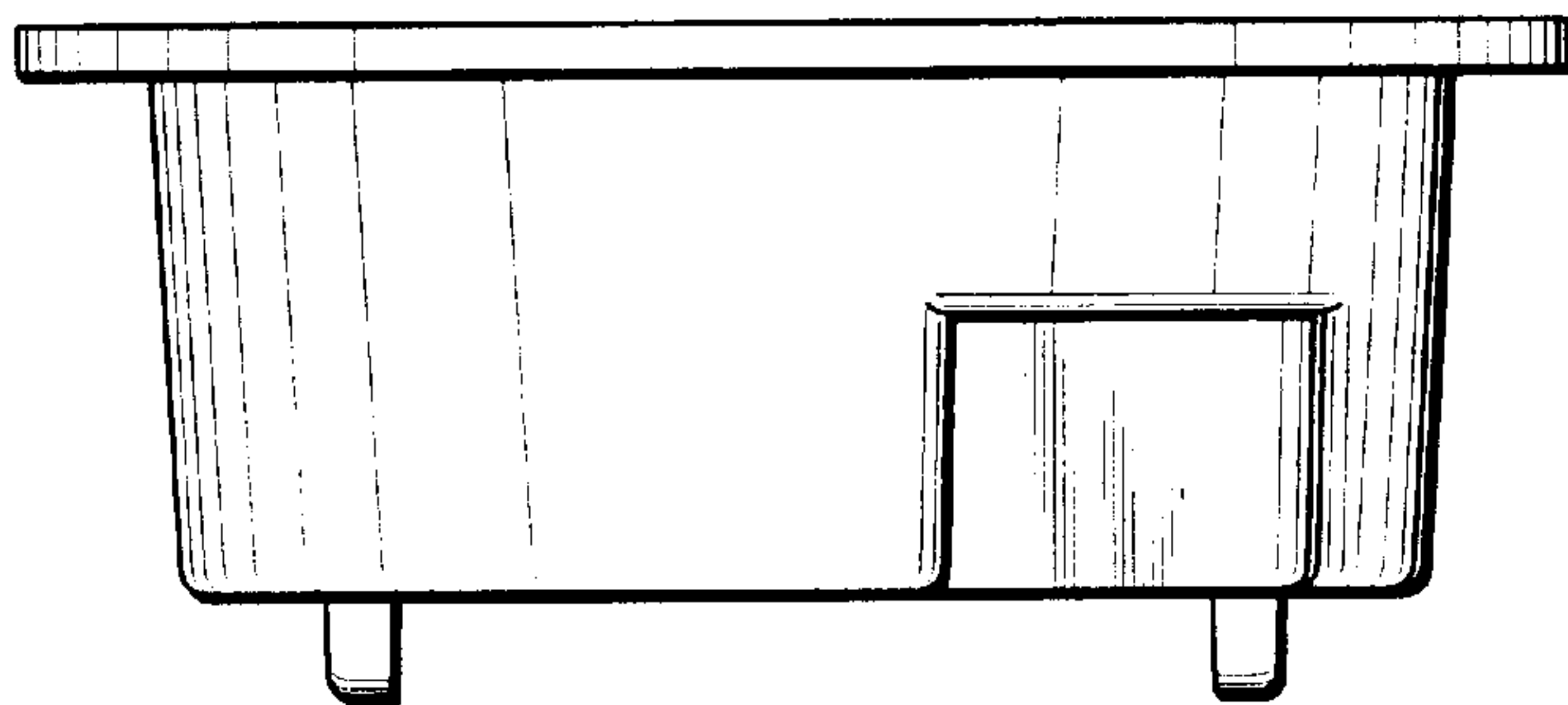


FIG. 12

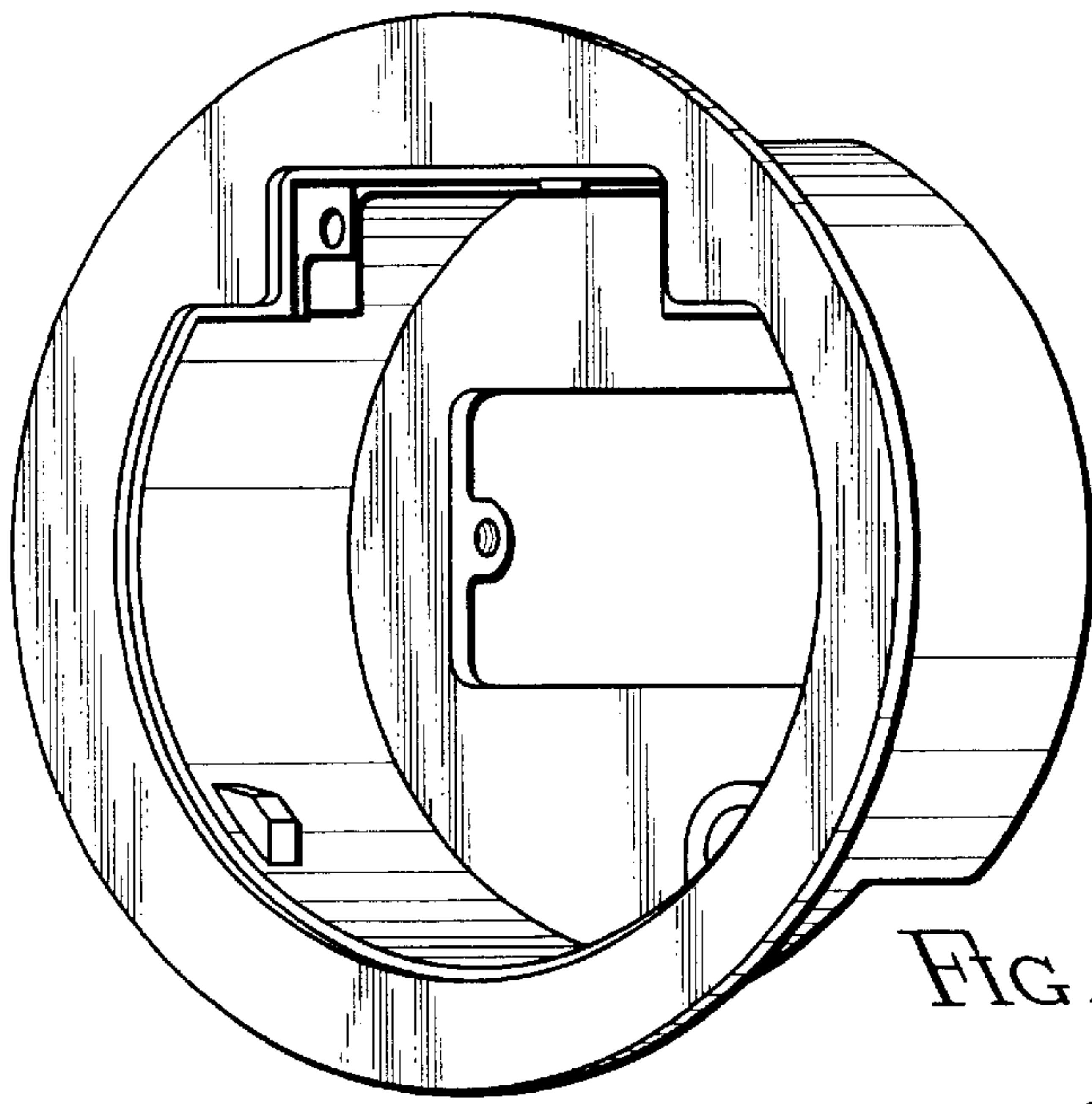


FIG. 13

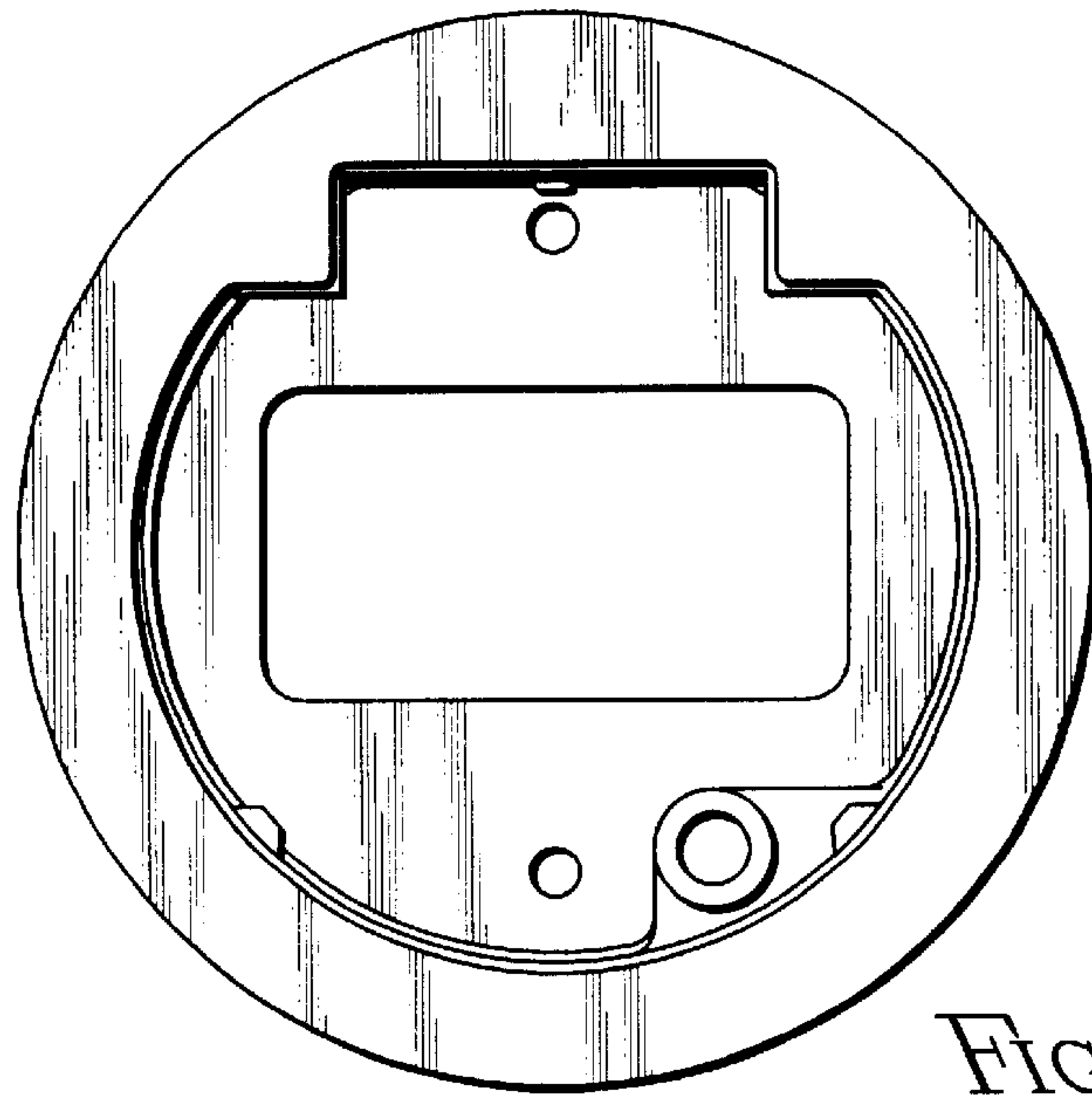


FIG. 14

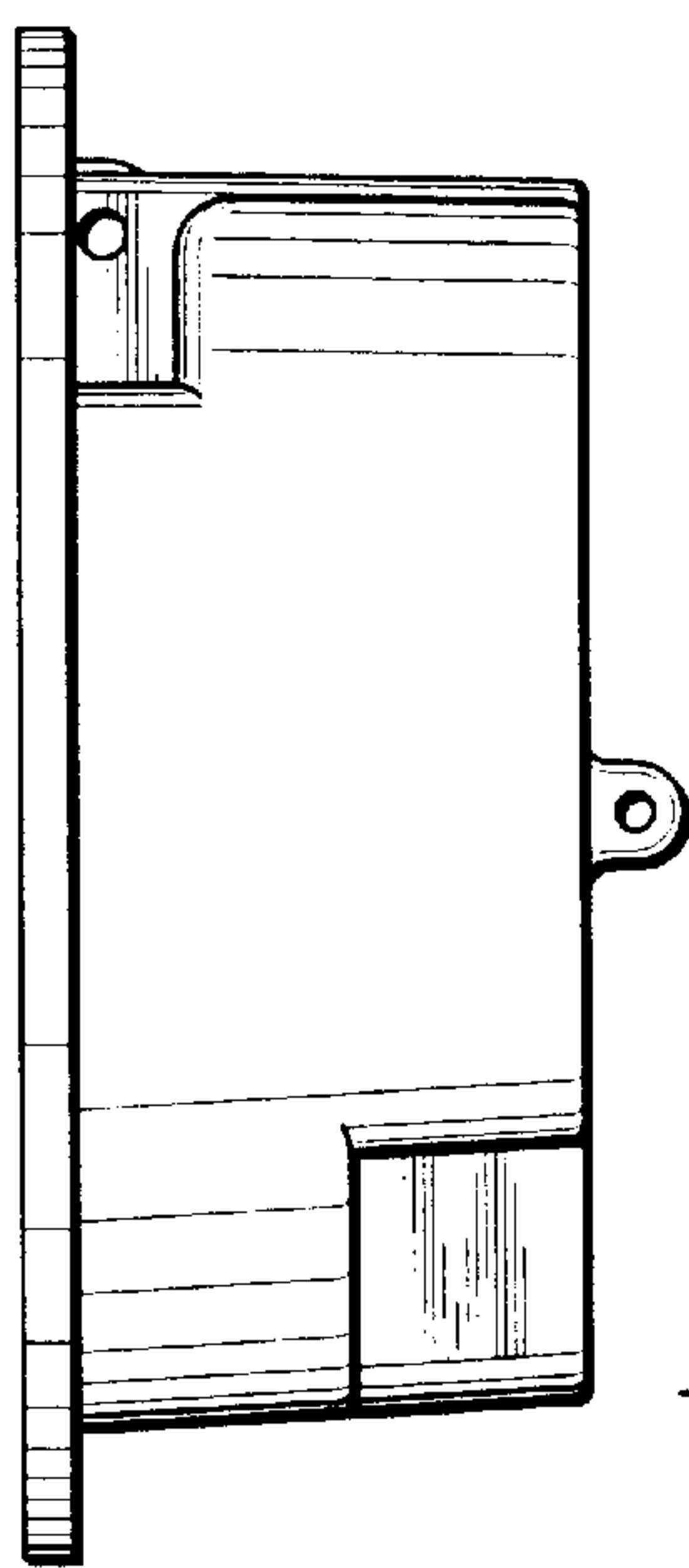


FIG. 15

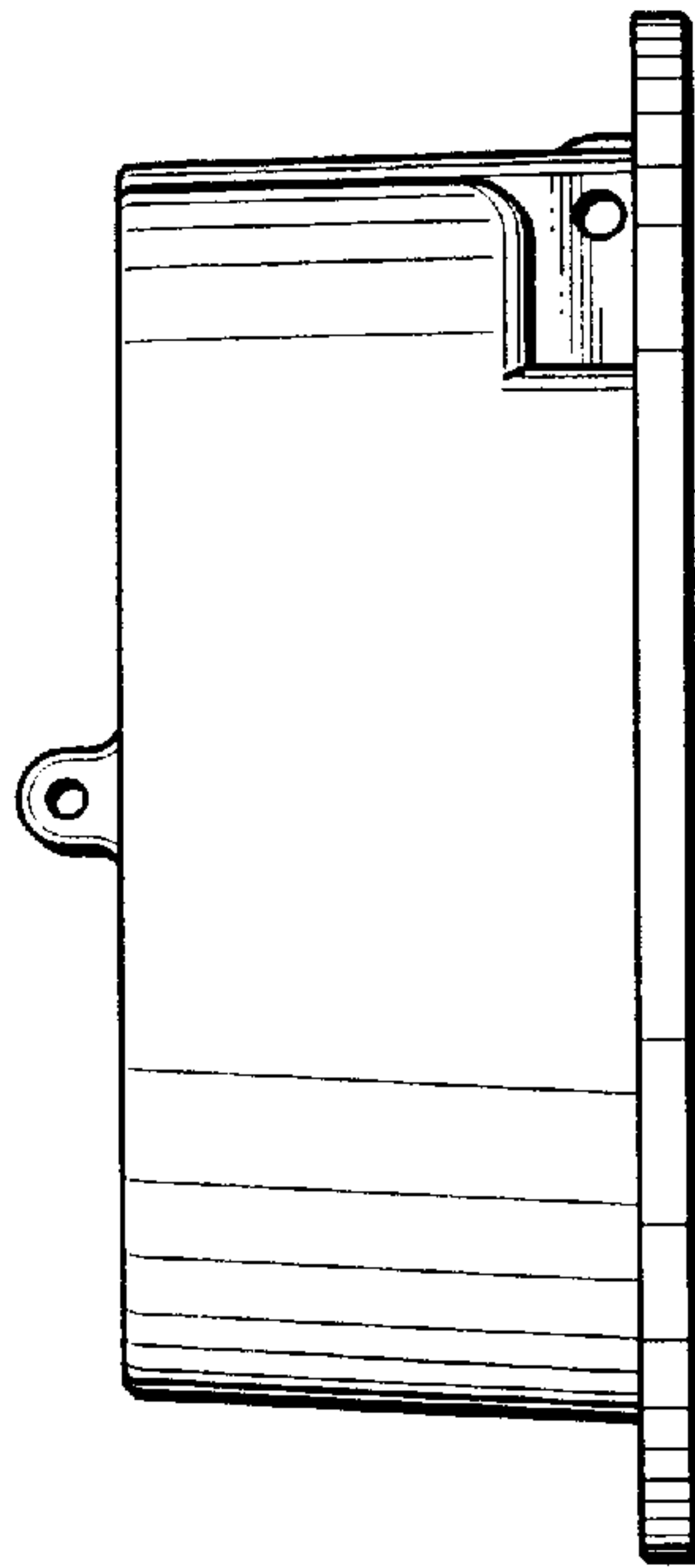


FIG. 16

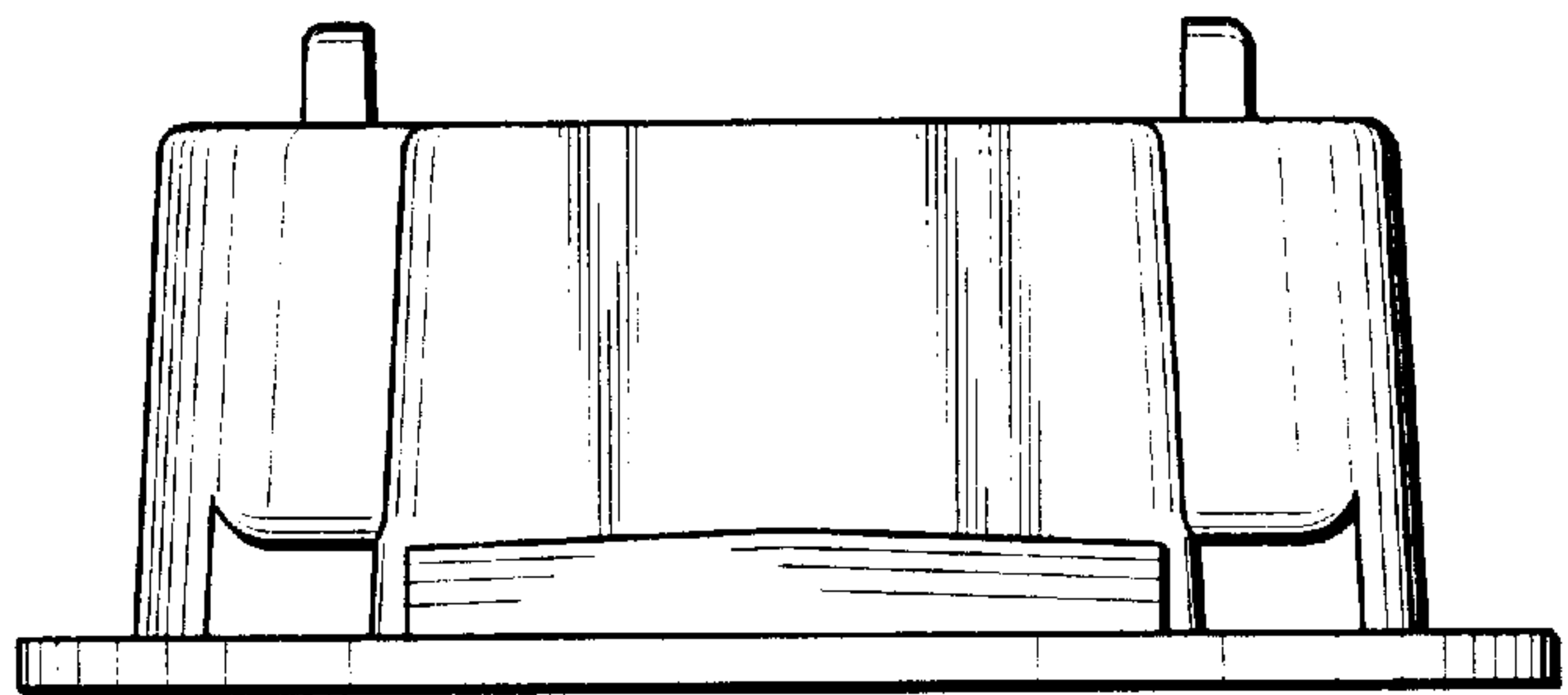


FIG. 17

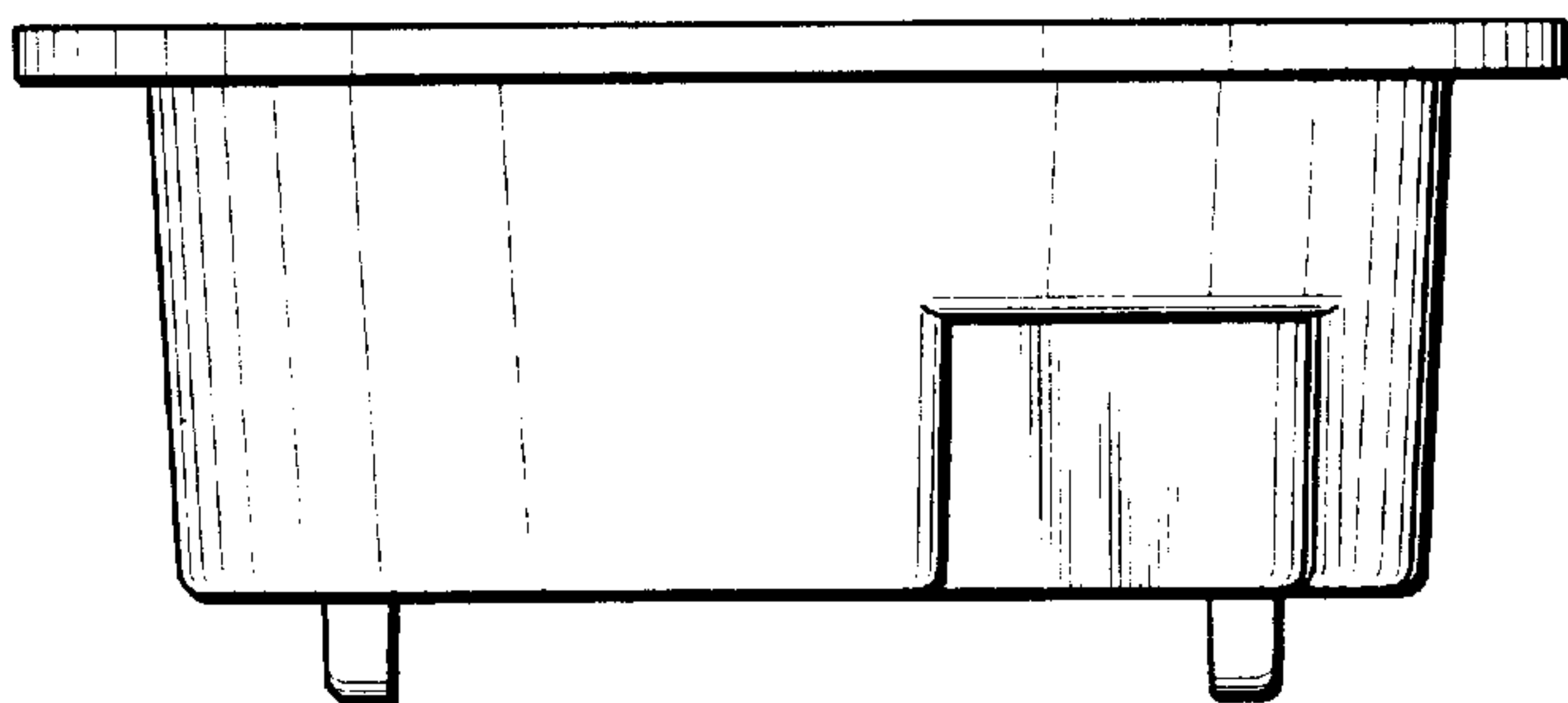


FIG. 18

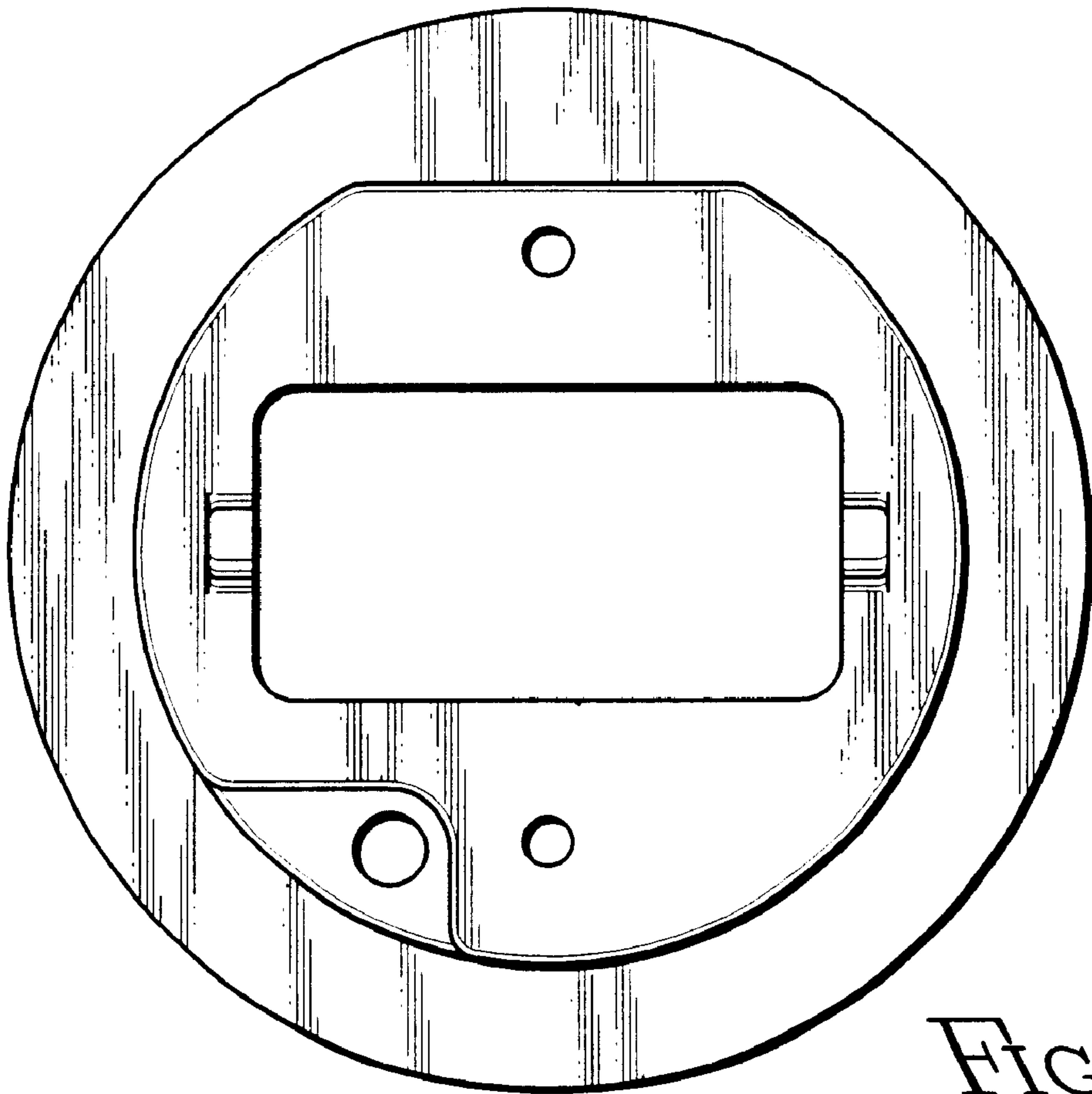


FIG. 19