



US00D482430S

(12) **United States Design Patent**
Jou

(10) **Patent No.:** **US D482,430 S**

(45) **Date of Patent:** **** *Nov. 18, 2003**

(54) **MAIN BODY OF SPRAY GUN**

(76) Inventor: **Wuu-Cheau Jou**, No. 497-6, Tsao Hu Road, Da Li City, Taichung Hsien (TW)

(*) Notice: This patent is subject to a terminal disclaimer.

(**) Term: **14 Years**

(21) Appl. No.: **29/166,481**

(22) Filed: **Aug. 29, 2002**

(51) **LOC (7) Cl.** **23-01**

(52) **U.S. Cl.** **D23/223**

(58) **Field of Search** D23/213, 223, D23/226; 239/525-527

(56) **References Cited**

U.S. PATENT DOCUMENTS

D358,450 S	*	5/1995	Casey	D23/223
D372,517 S	*	8/1996	Farnsteiner	D23/223
D397,408 S	*	8/1998	Baker et al.	D23/223

* cited by examiner

Primary Examiner—Robin V. Taylor

(74) *Attorney, Agent, or Firm*—Charles E. Baxley

(57) **CLAIM**

The ornamental design for the main body of spray gun, as shown and described.

DESCRIPTION

FIG. 1 is a front view of the main body of spray gun showing my new design;

FIG. 2 is a rear view thereof;

FIG. 3 is a left plan view thereof;

FIG. 4 is a right plan view thereof;

FIG. 5 is a top view thereof;

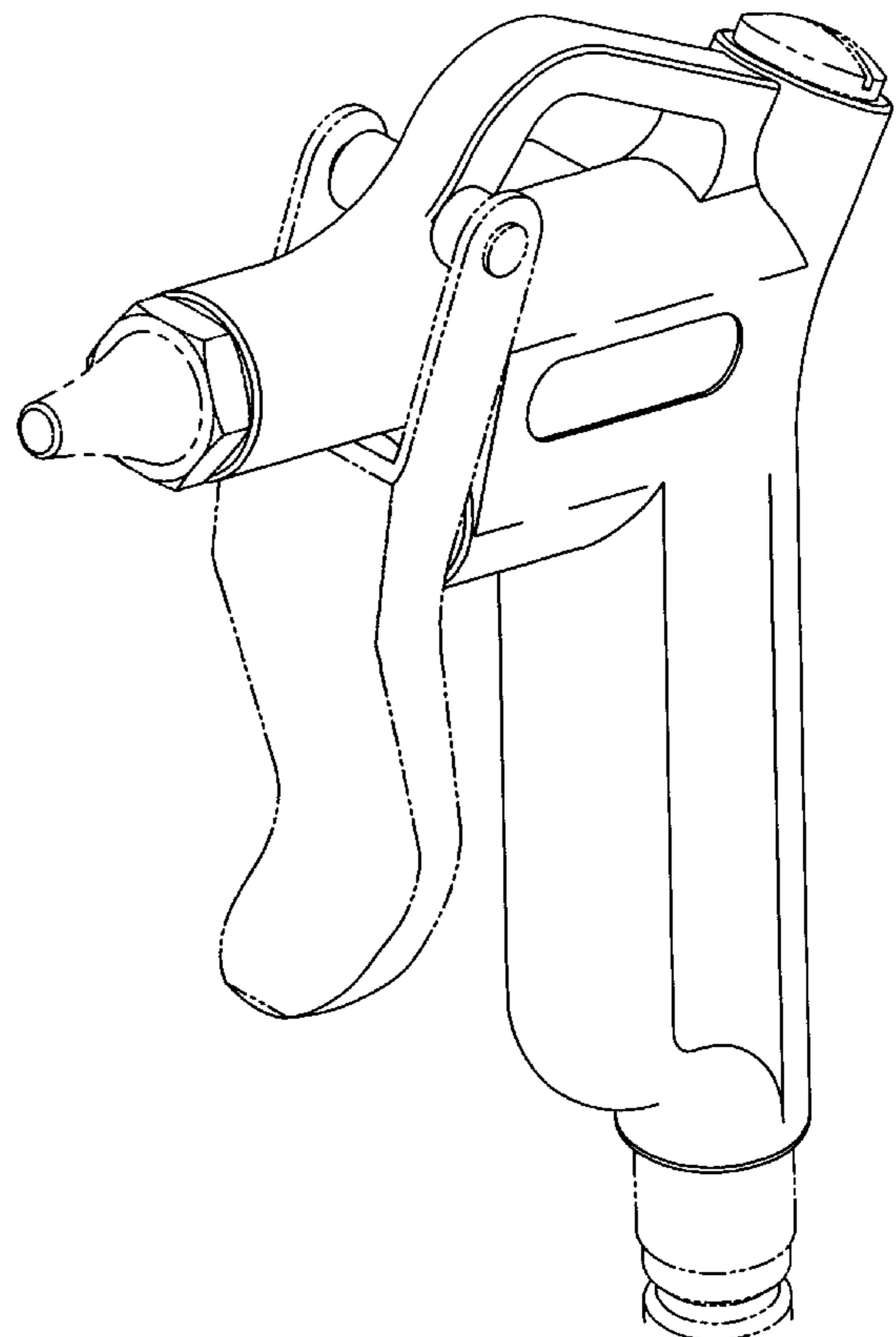
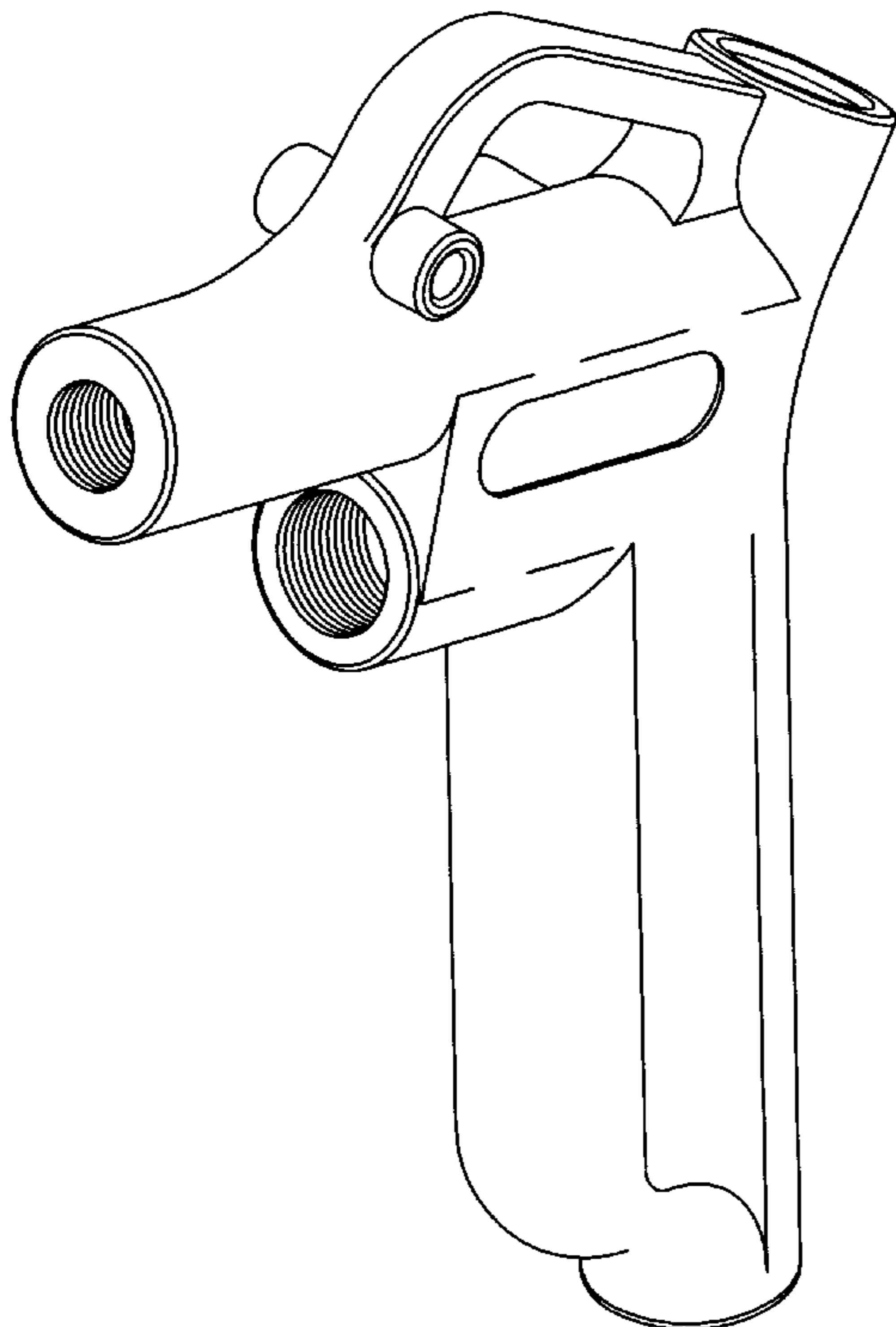
FIG. 6 is a bottom view thereof;

FIG. 7 is a perspective view of the main body of spray gun showing my new design thereof; and,

FIG. 8 is a perspective view of the spray gun showing the other parts combining with my present design.

The broken lines are shown for illustrative purposes only and form no part of the claimed design.

1 Claim, 3 Drawing Sheets



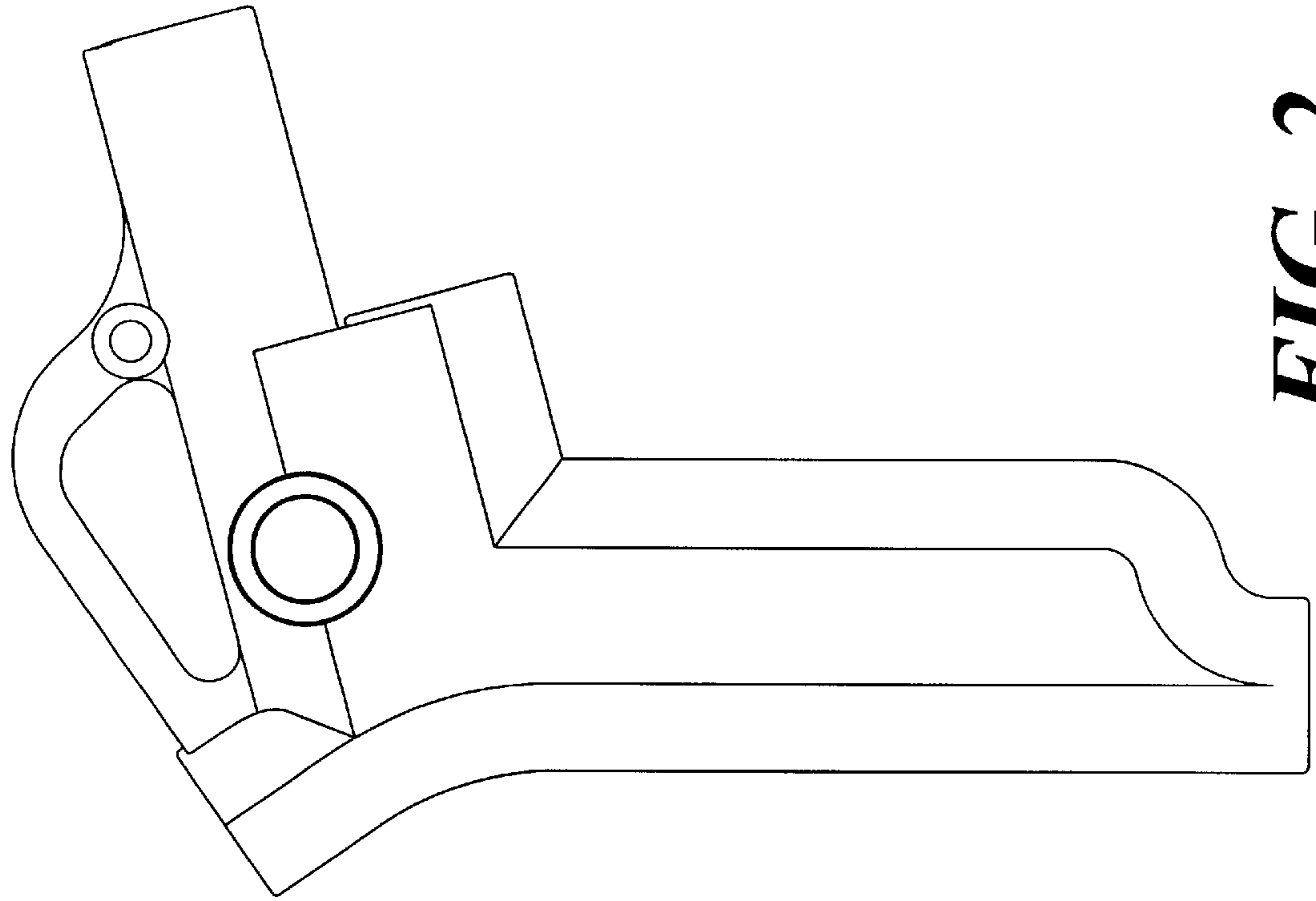


FIG. 2

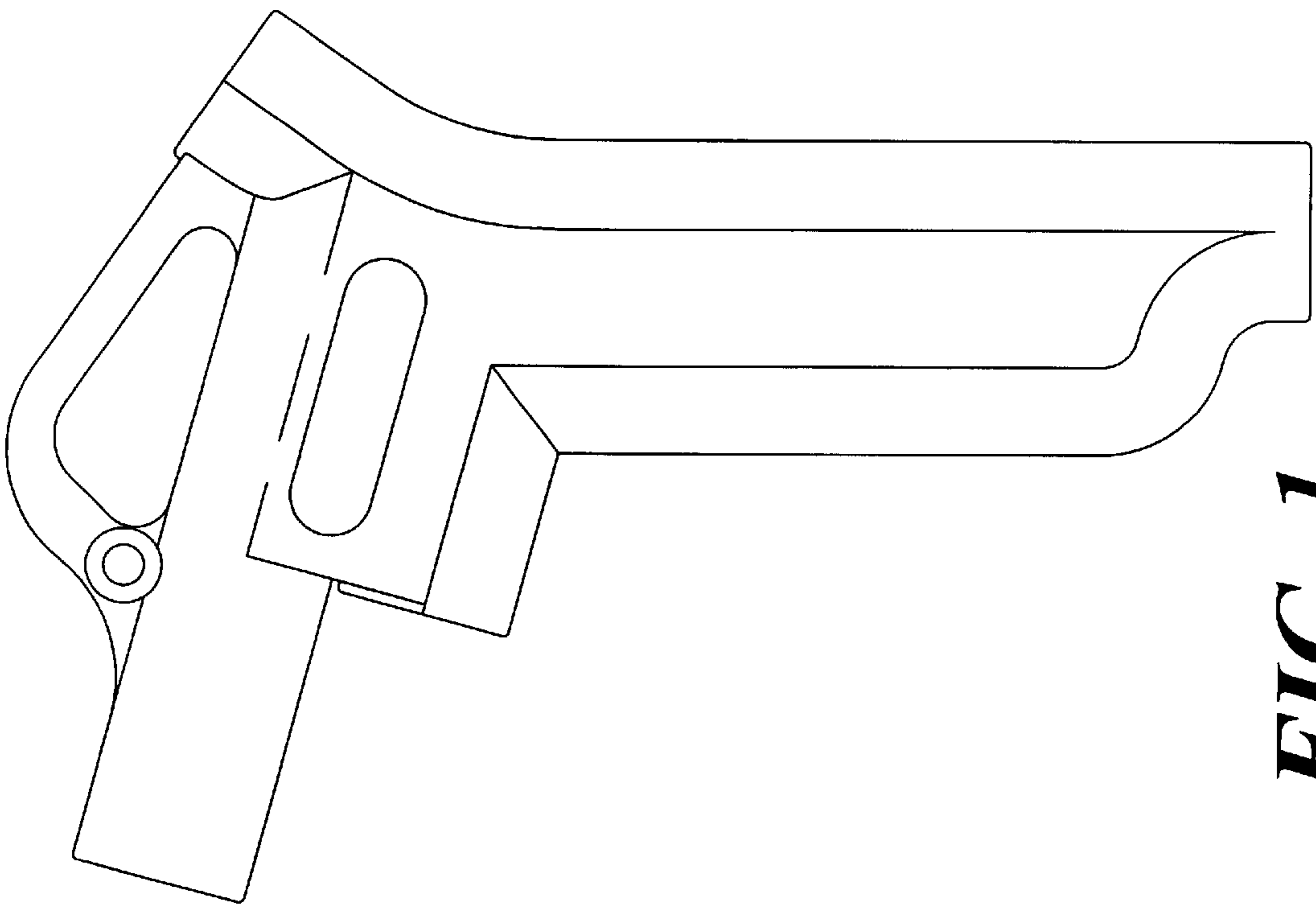


FIG. 1

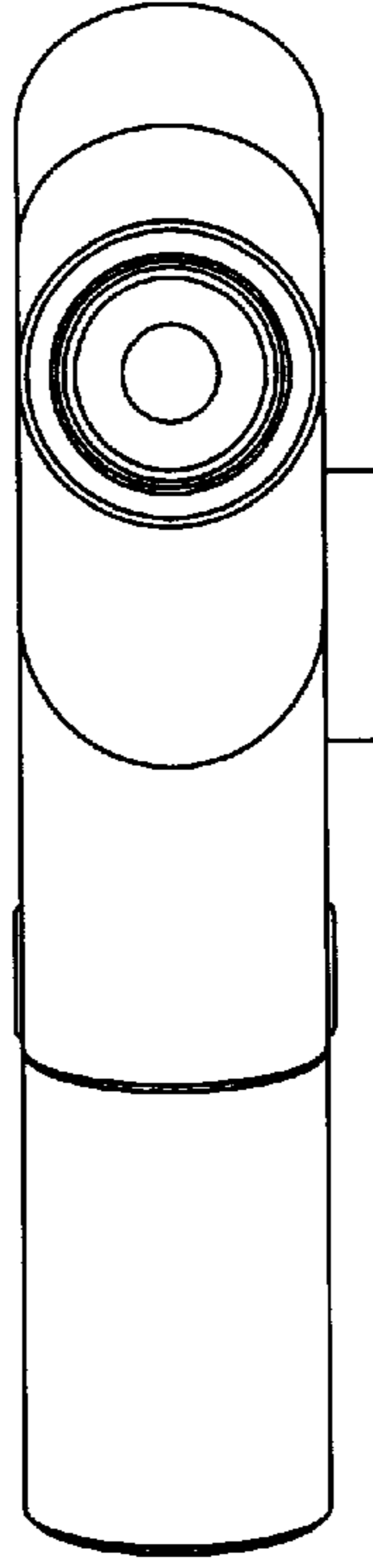
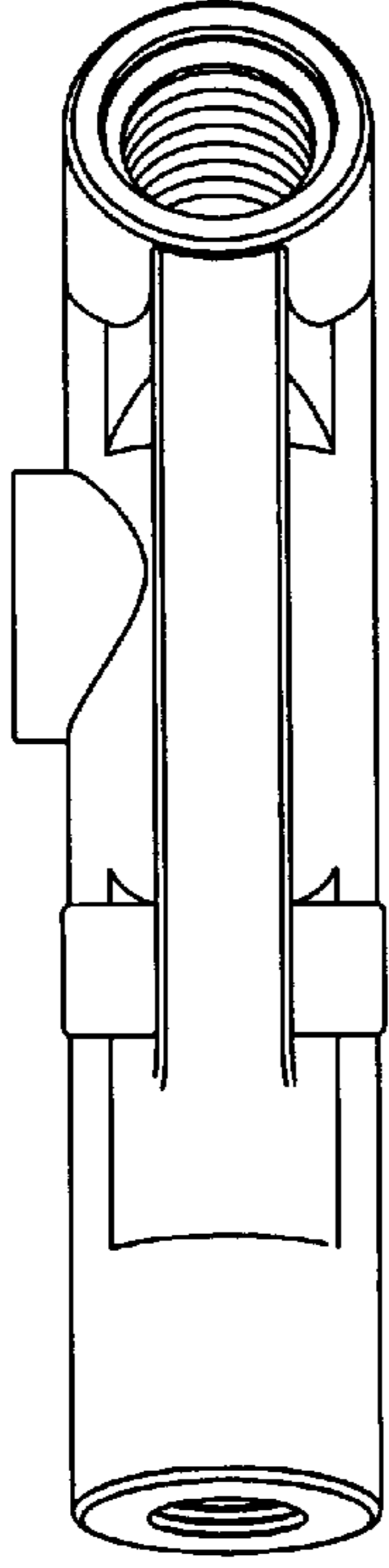
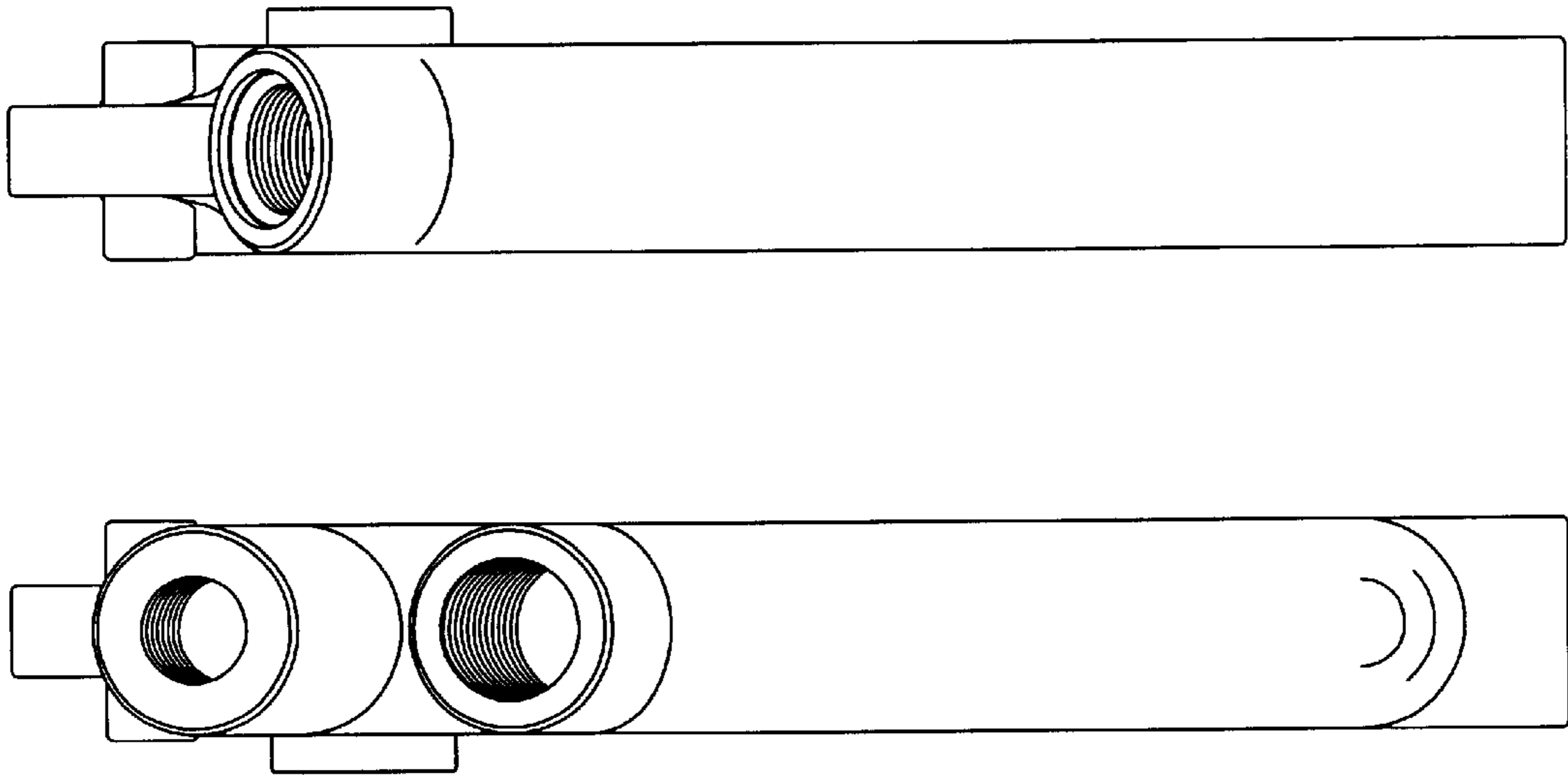


FIG. 5

FIG. 6

FIG. 3 **FIG. 4**

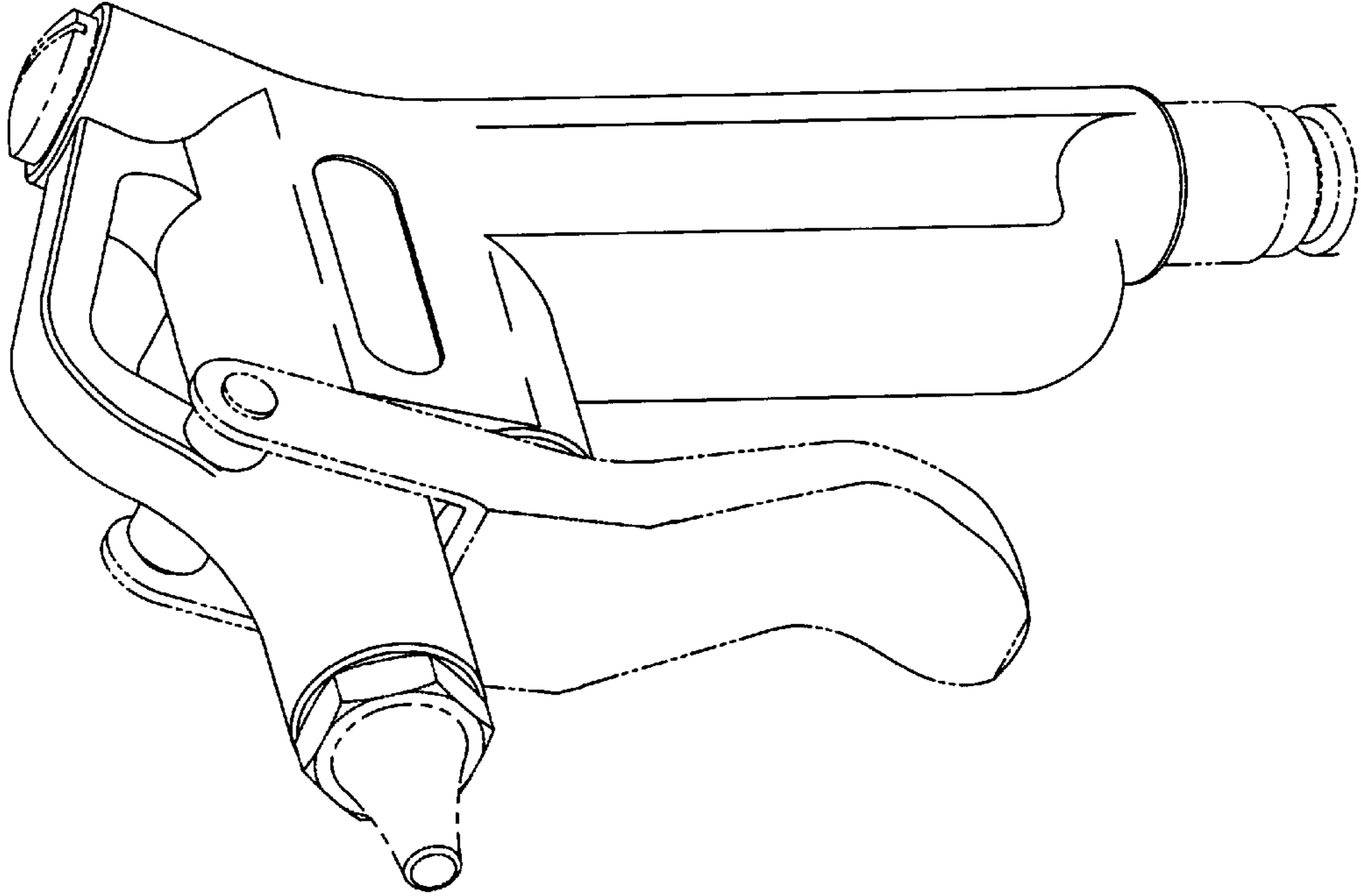


FIG. 8

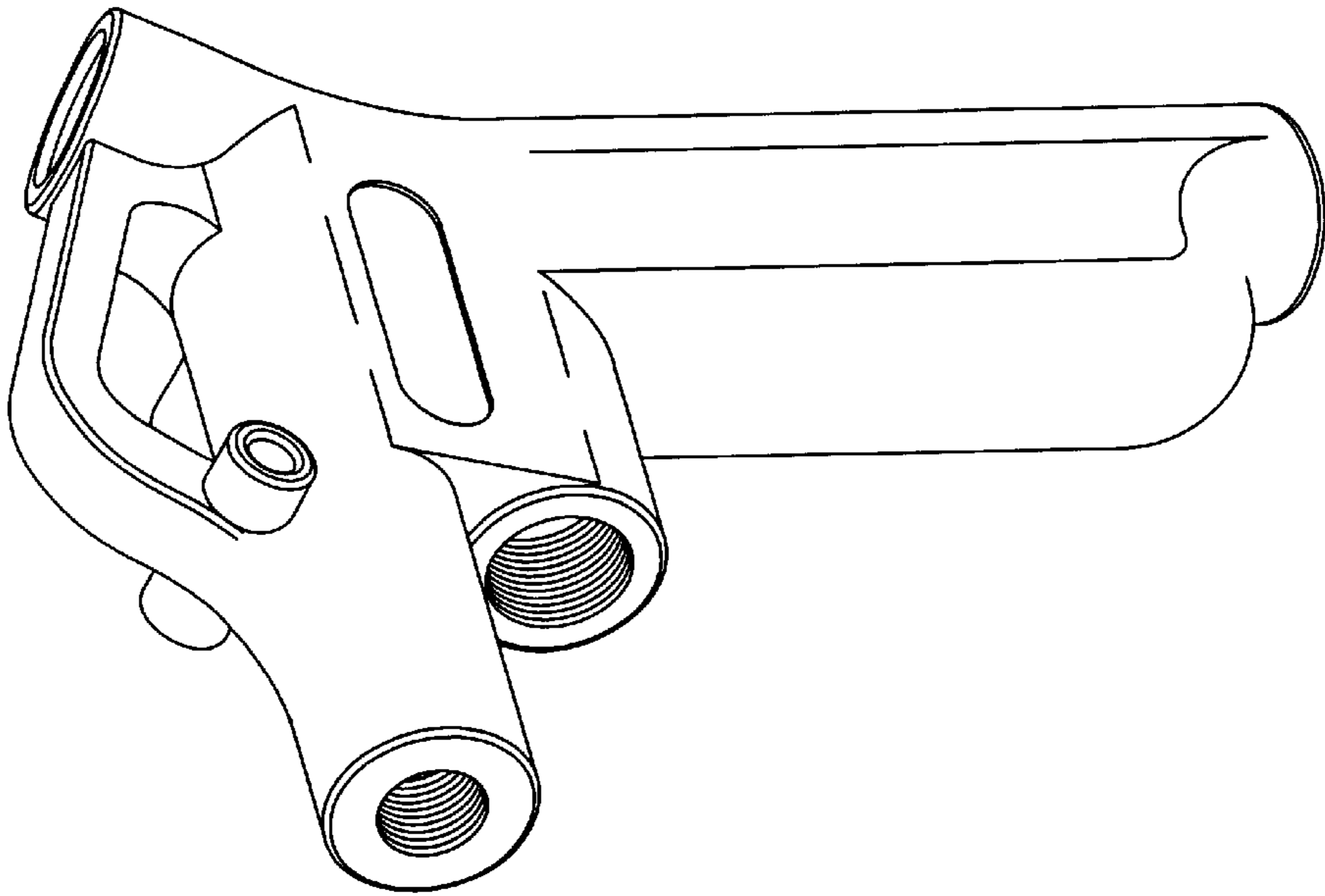


FIG. 7