



US00D482420S

(12) **United States Design Patent**
Burrows

(10) **Patent No.:** **US D482,420 S**

(45) **Date of Patent:** **** Nov. 18, 2003**

(54) **WOOD TYPE HEAD FOR A GOLF CLUB**

(57) **CLAIM**

(75) **Inventor:** **Bruce D. Burrows**, Santa Clarita, CA (US)

The ornamental design for a wood type head for a golf club, as shown and described.

(73) **Assignee:** **Burrows Golf, Inc.**, Valencia, CA (US)

DESCRIPTION

(**) **Term:** **14 Years**

FIG. 1 is a perspective view showing the bottom, front and toe end sides of a wood type for a golf club embodying the new design;

(21) **Appl. No.:** **29/166,797**

FIG. 2 is a front elevational view thereof;

(22) **Filed:** **Sep. 3, 2002**

FIG. 3 is a toe end elevational view thereof;

(51) **LOC (7) Cl.** **21-02**

FIG. 4 is a heel end elevational view thereof;

(52) **U.S. Cl.** **D21/752**

FIG. 5 is a rear elevational view thereof;

(58) **Field of Search** D21/733, 752;
473/324, 327-331, 343, 344

FIG. 6 is a top plan view thereof;

FIG. 7 is a bottom plan view thereof;

(56) **References Cited**

U.S. PATENT DOCUMENTS

1,588,617	A	*	6/1926	Rose	473/343
3,374,027	A	*	3/1968	Jacobs	294/19.2
4,511,145	A	*	4/1985	Schmidt	473/346
D354,103	S	*	1/1995	Allen	D21/752
D356,356	S	*	3/1995	Jacobs	D21/744
D364,666	S	*	11/1995	Nagy	D21/743
D385,003	S		10/1997	Burrows		
D390,294	S		2/1998	Burrows		
D390,295	S		2/1998	Burrows		
D392,354	S		3/1998	Burrows		
D397,749	S		9/1998	Burrows		
D401,299	S		11/1998	Burrows		
5,851,159	A		12/1998	Burrows		
D413,642	S		9/1999	Burrows		
D413,953	S		9/1999	Burrows		
6,422,951	B1		7/2002	Burrows		

FIG. 8 is a sectional view taken generally on the line 8—8 of FIG. 7;

FIG. 9 is a perspective view showing the bottom, front and toe end sides of a second embodiment of the golf club head as disclosed in FIGS. 1-8;

FIG. 10 is a toe end elevational view of the embodiment of FIG. 9;

FIG. 11 is a bottom plan view of the embodiment of FIG. 9;

FIG. 12 is a sectional view taken generally on the line 12—12 of FIG. 11;

FIG. 13 is a perspective view showing the bottom, front and toe end sides of a third embodiment of the golf club head as disclosed in FIGS. 1-8;

FIG. 14 is a toe end elevational view of the embodiment of FIG. 13;

FIG. 15 is a bottom plan view of the embodiment of FIG. 13; and,

FIG. 16 is a sectional view taken generally on the line 16—16 of FIG. 15.

The front, rear, and heel end elevational views, and the top plan views of the second and third embodiments being identical to the embodiment of FIGS. 1-8.

The broken line showings of a fragmented golf club shaft and a faceplate groove pattern are for illustrative purposes only and form no part of the claimed design.

* cited by examiner

Primary Examiner—Mitchell Siegel

(74) *Attorney, Agent, or Firm*—Kelly Bauersfeld Lowry & Kelley, LLP

1 Claim, 8 Drawing Sheets

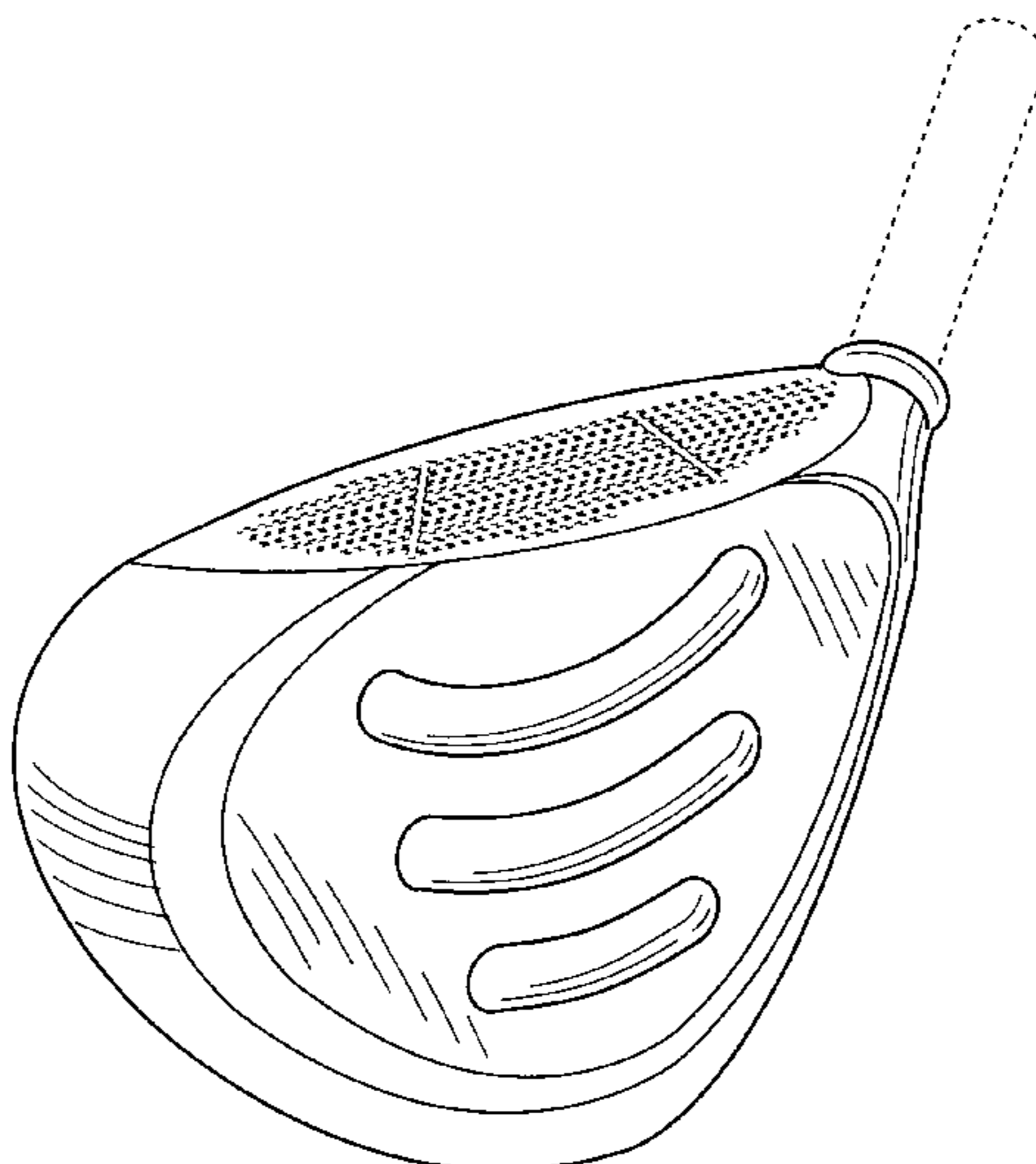


FIG. 1

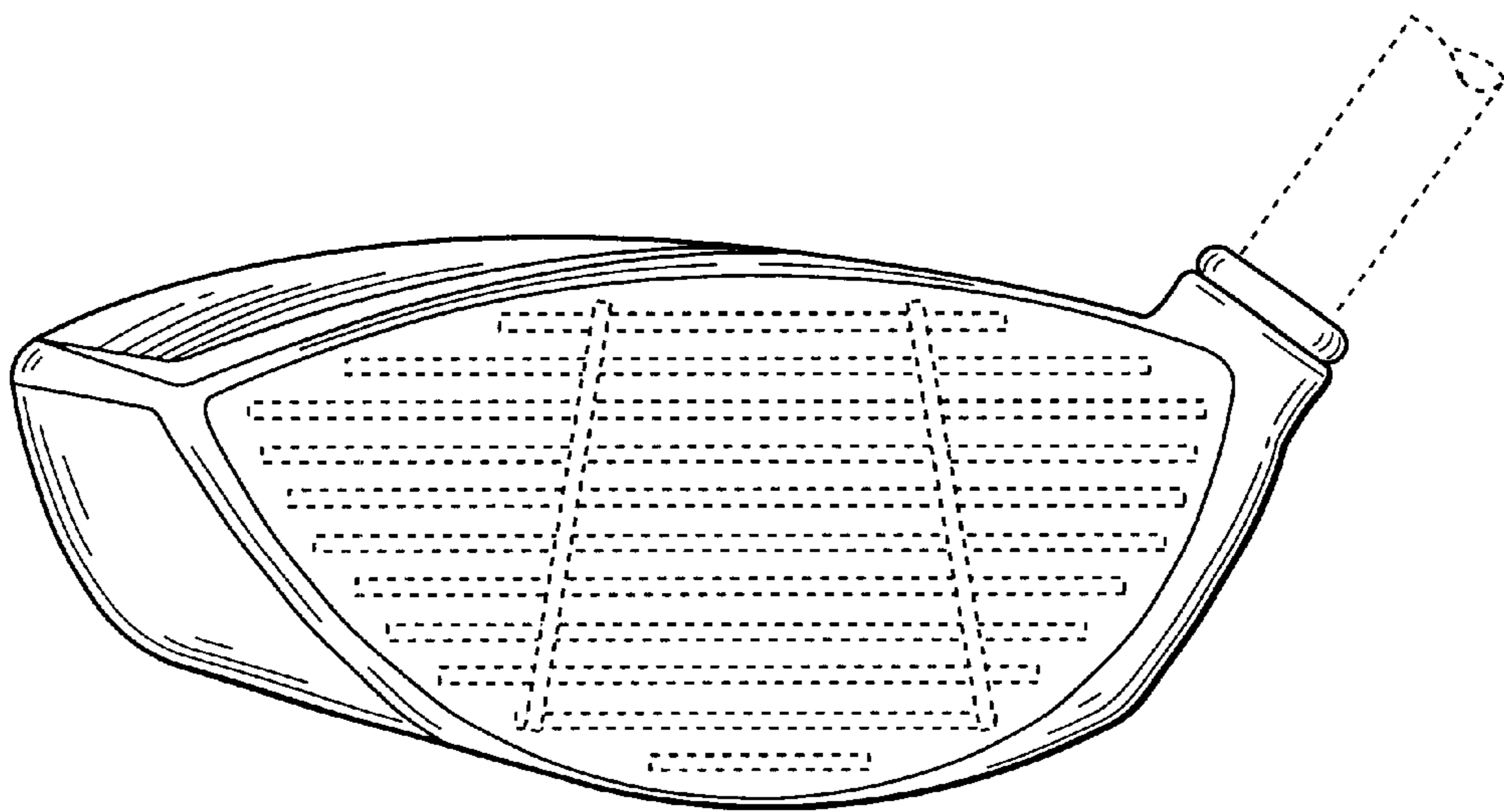
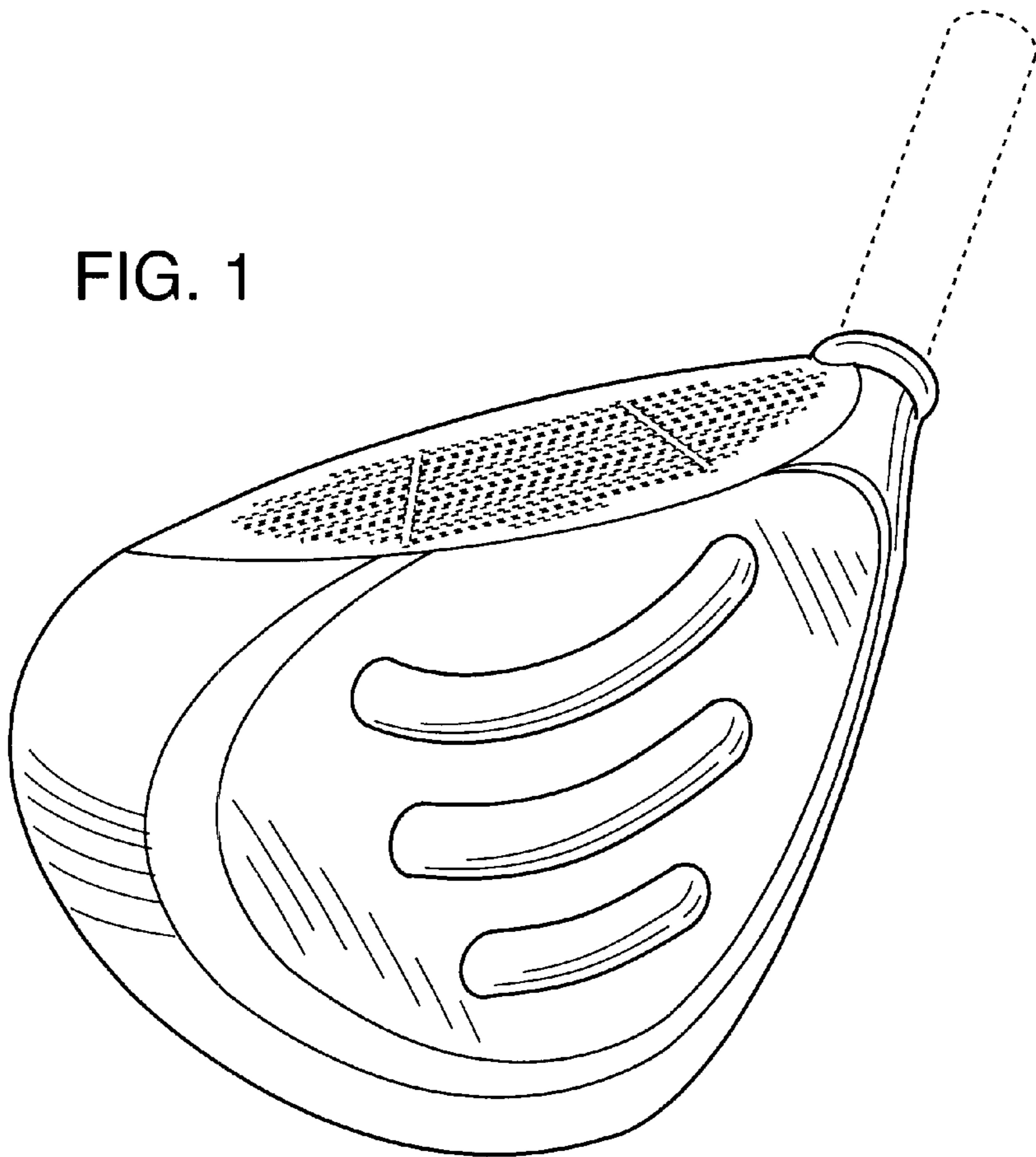


FIG. 2

FIG. 3

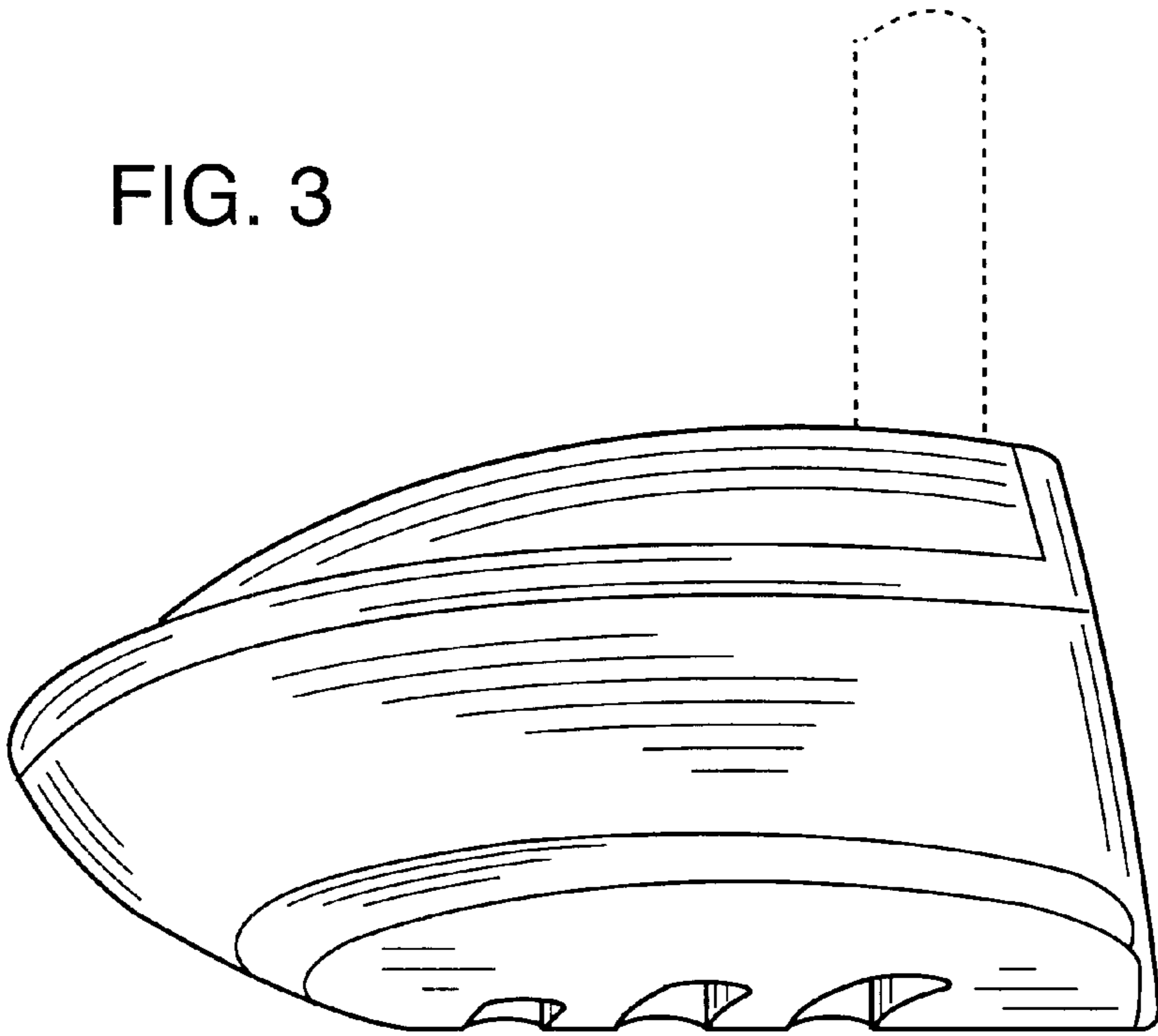
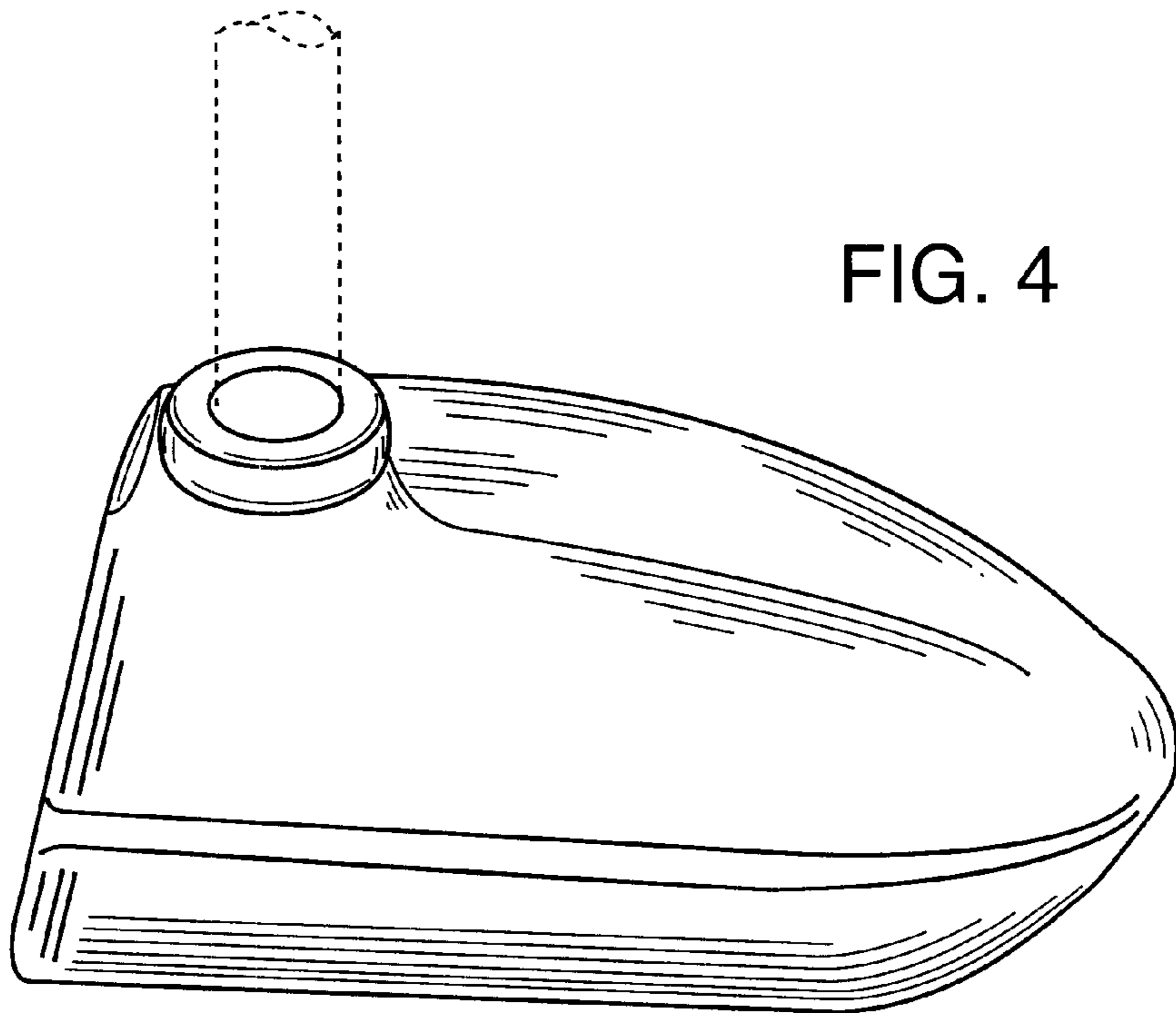


FIG. 4



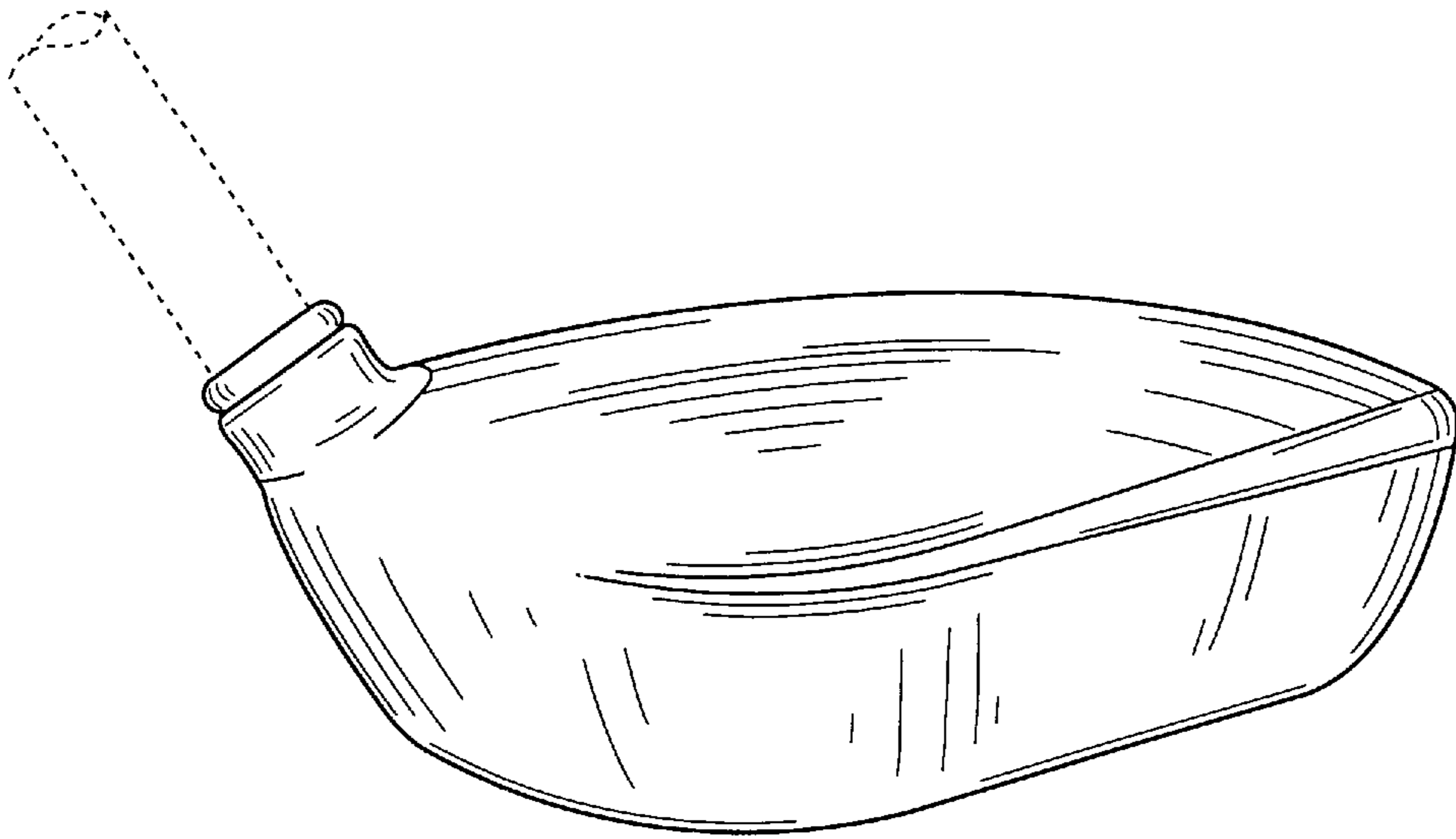


FIG. 5

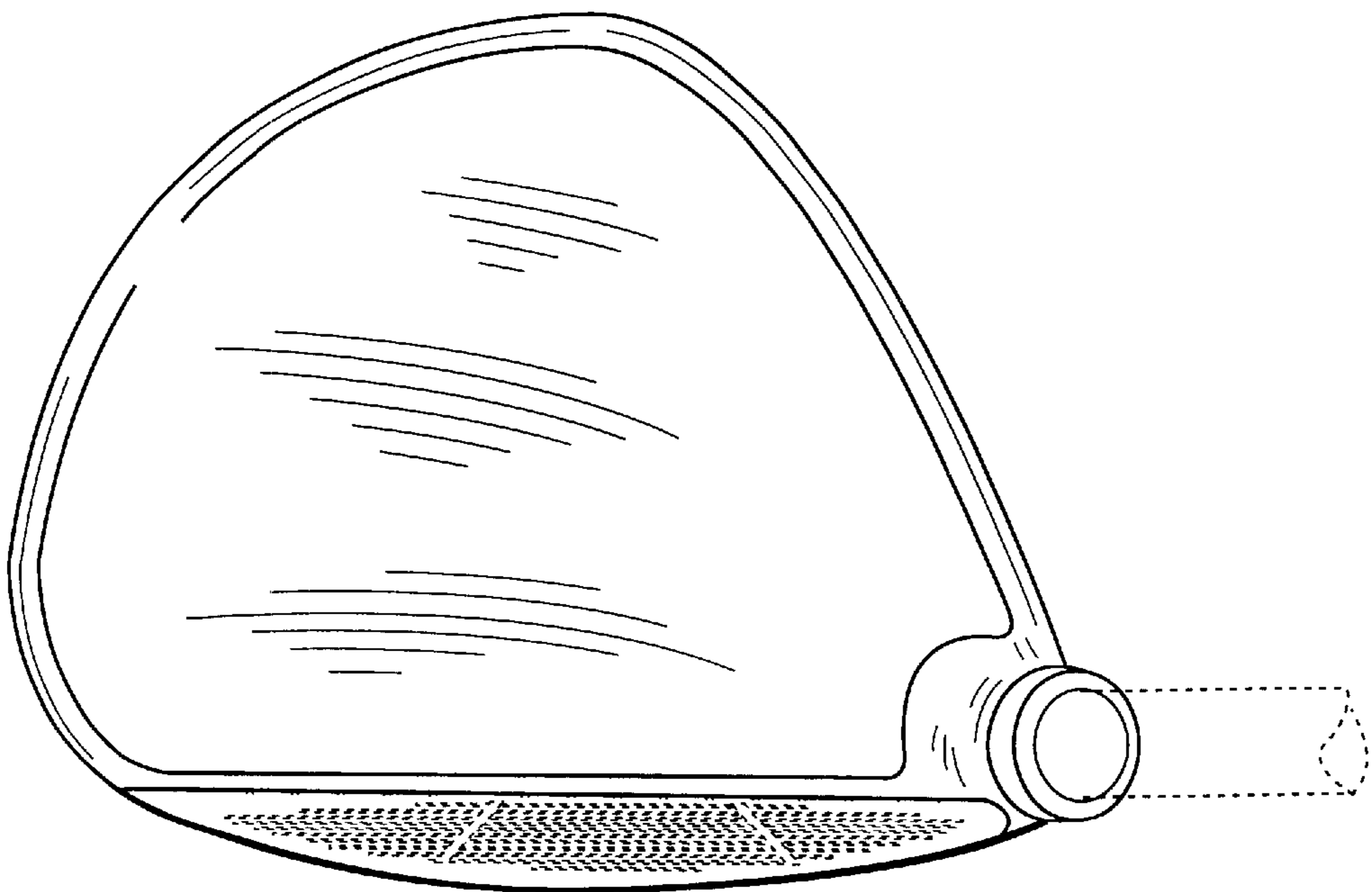


FIG. 6

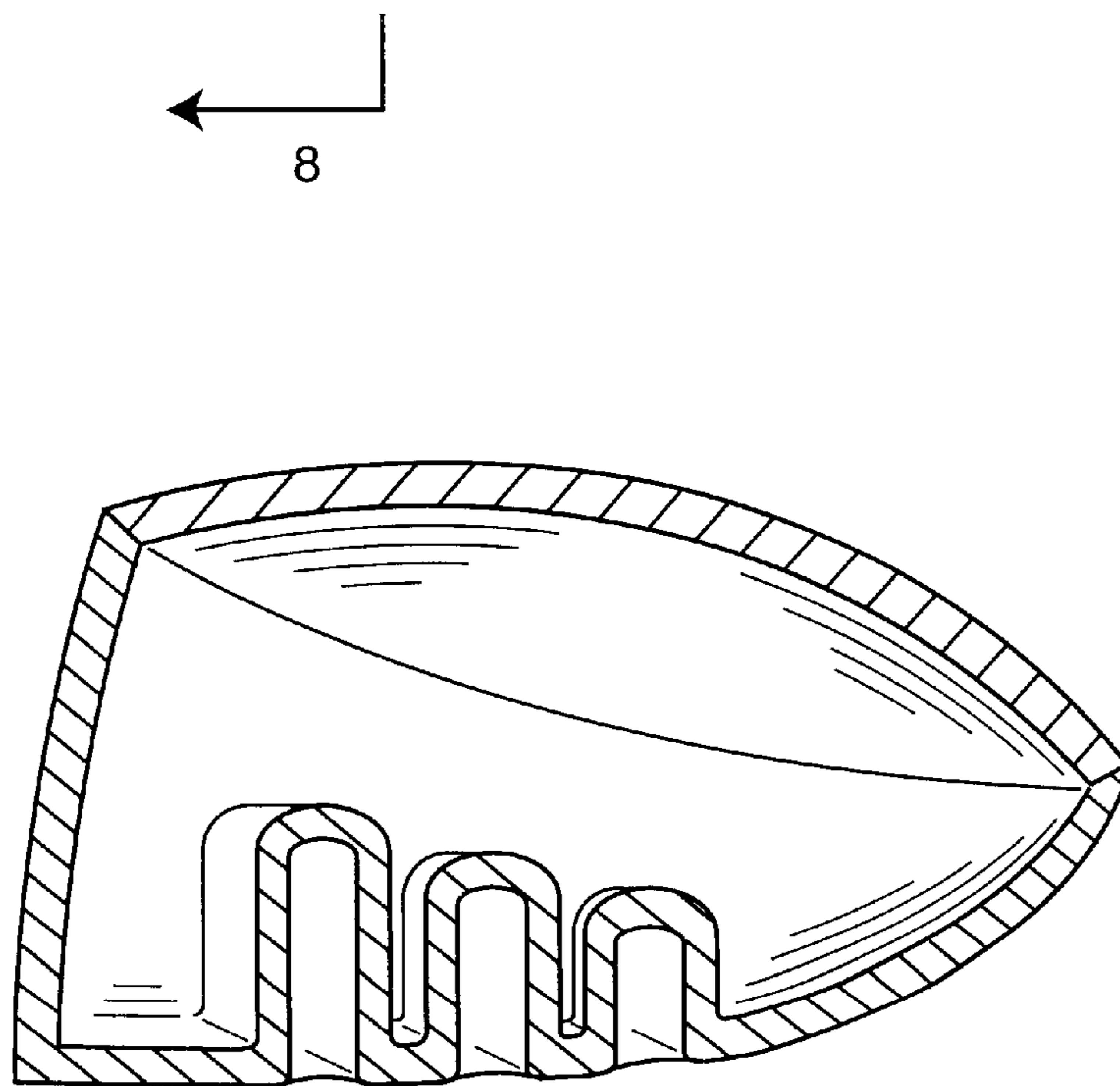
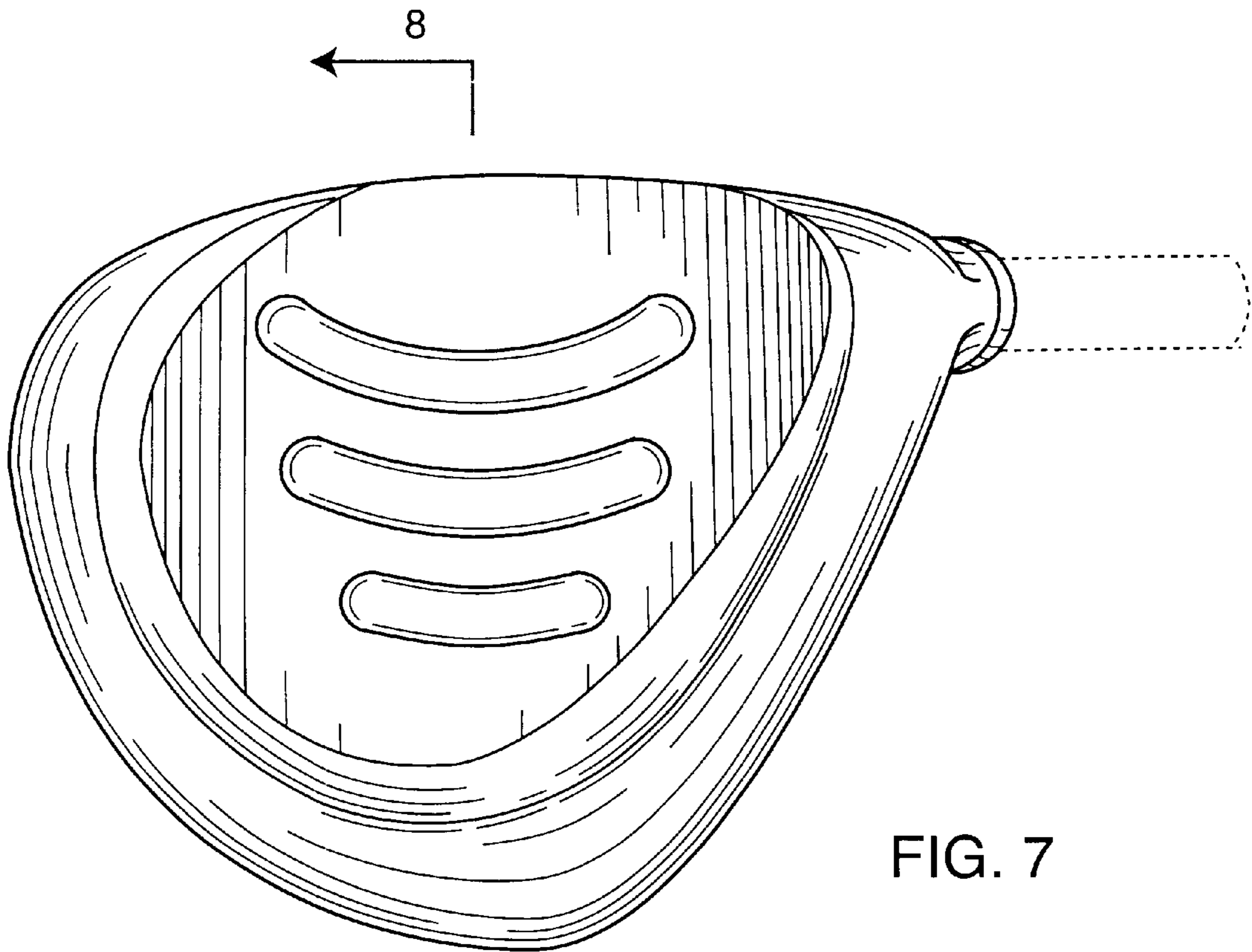


FIG. 9

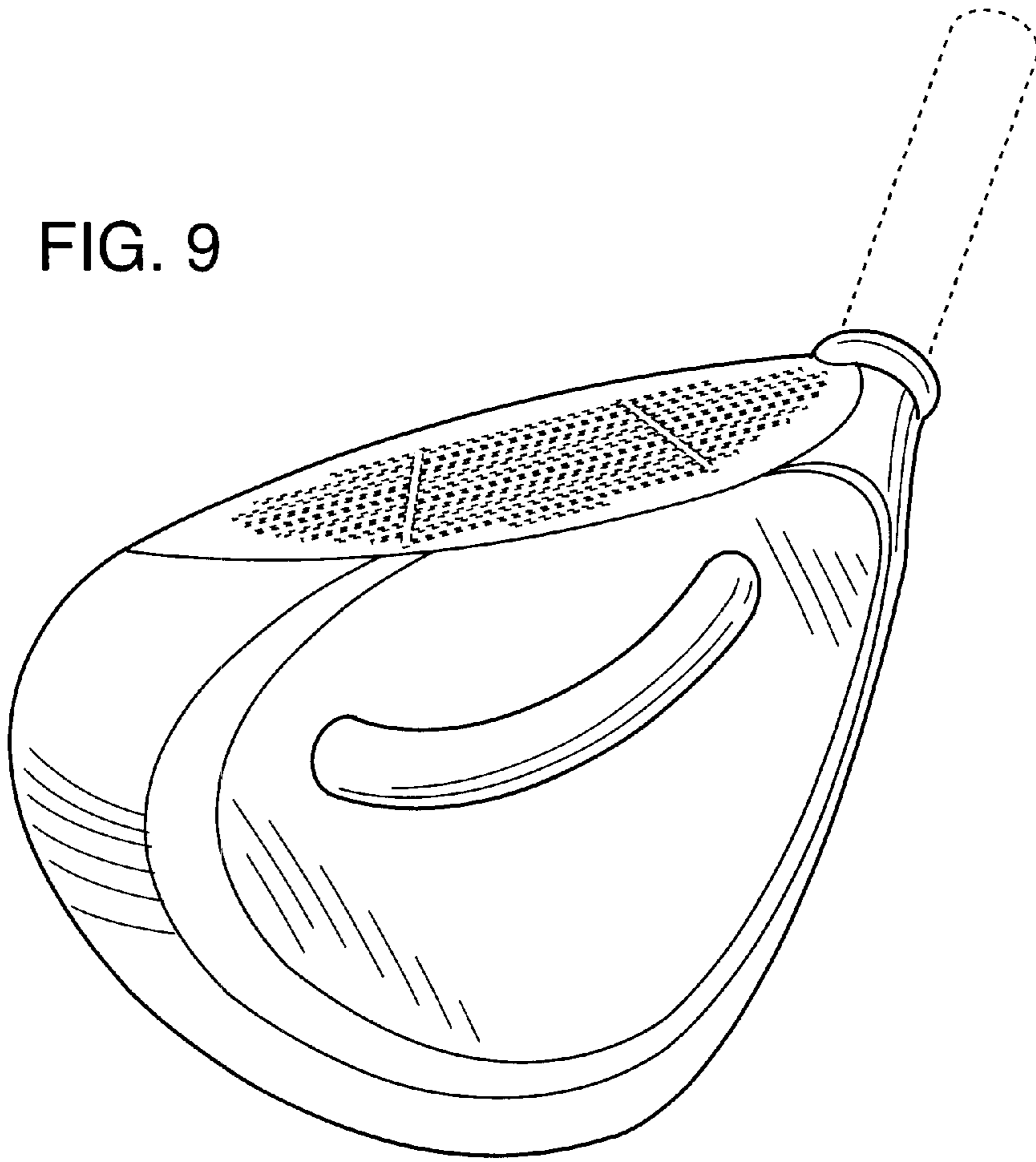
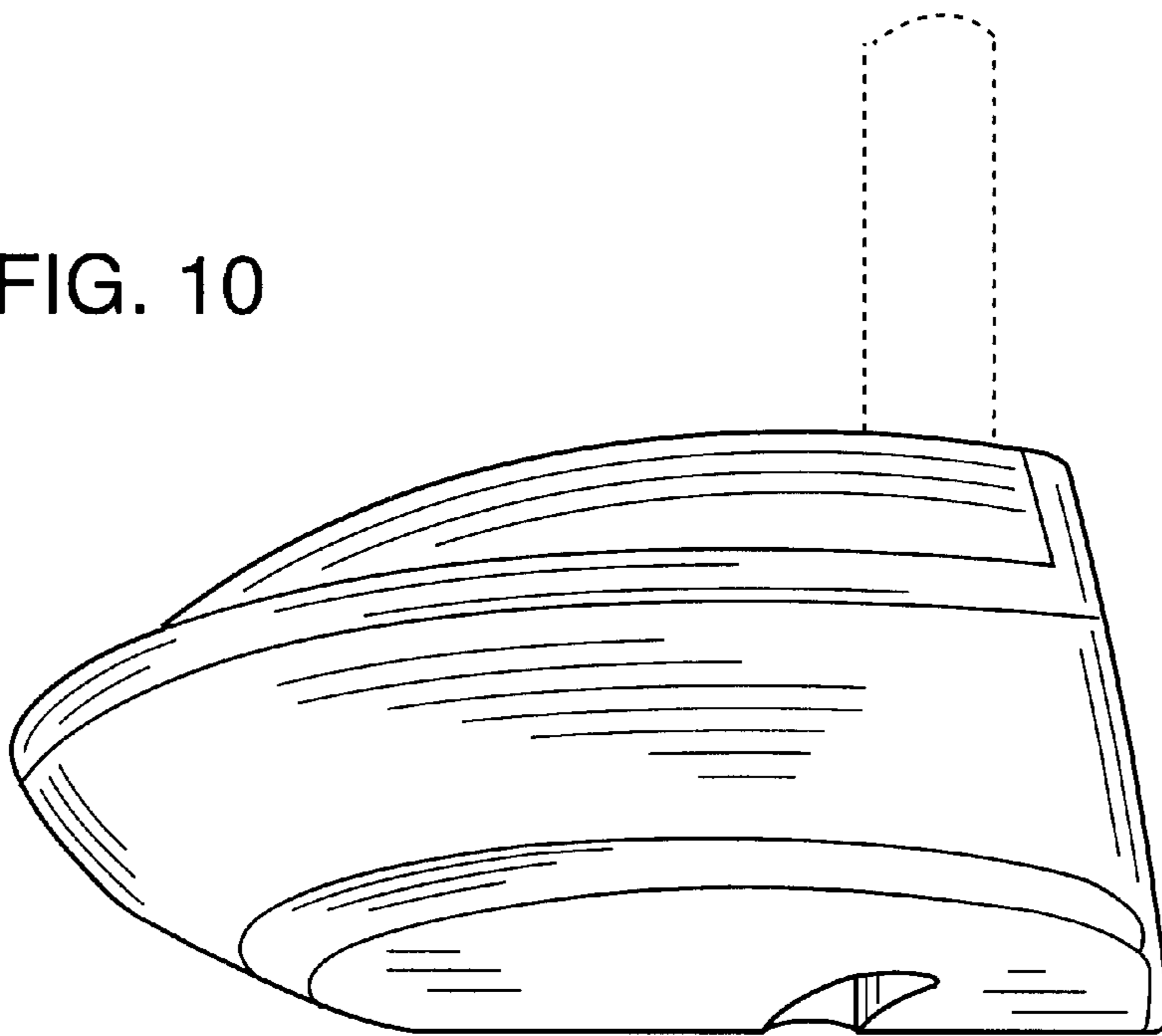


FIG. 10



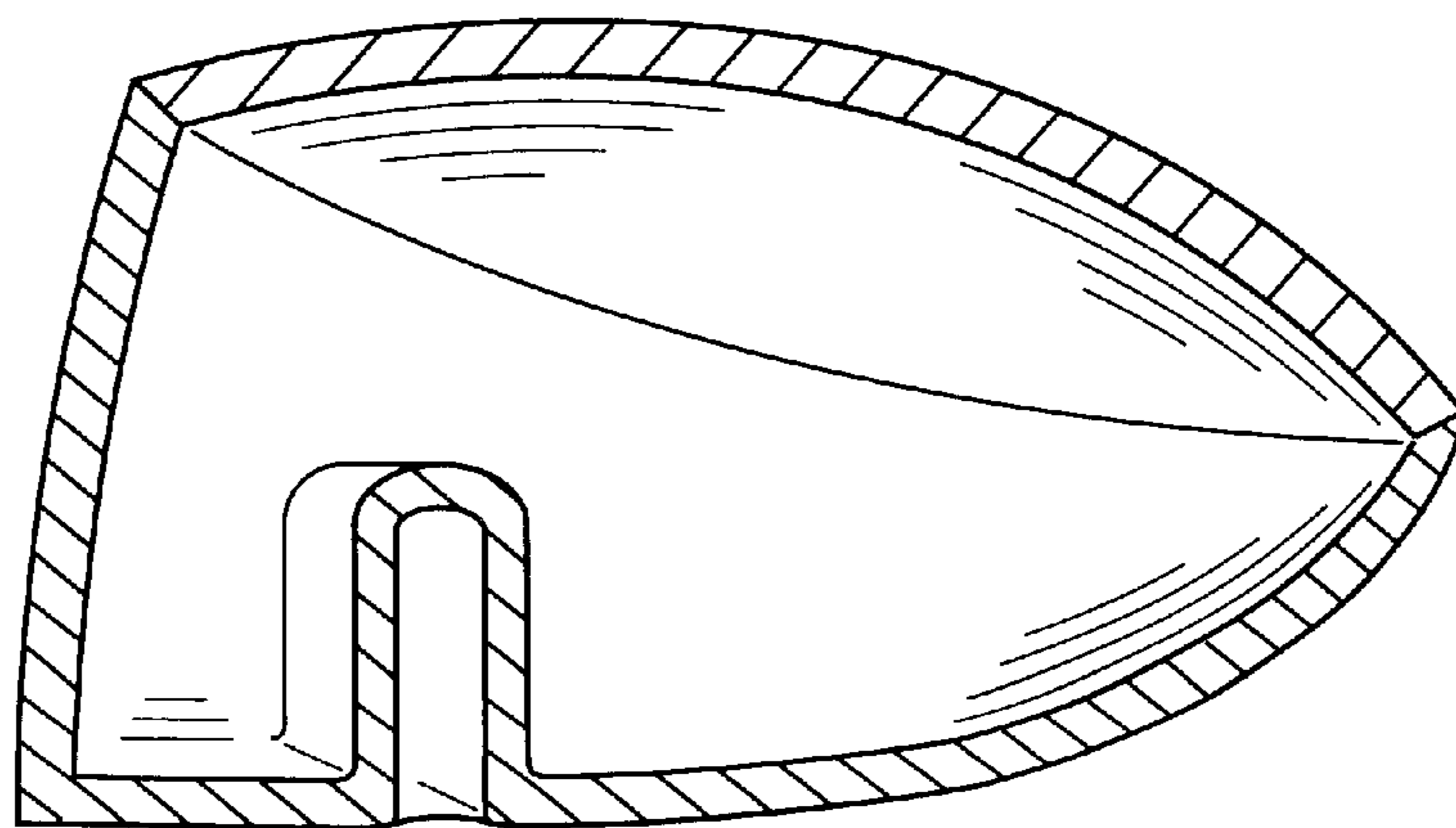
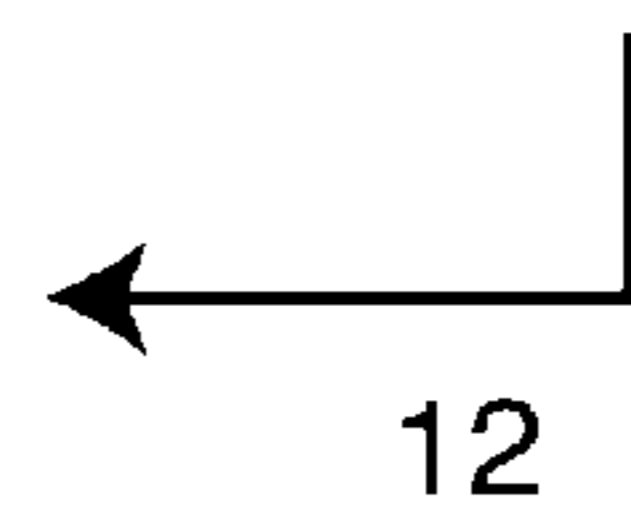
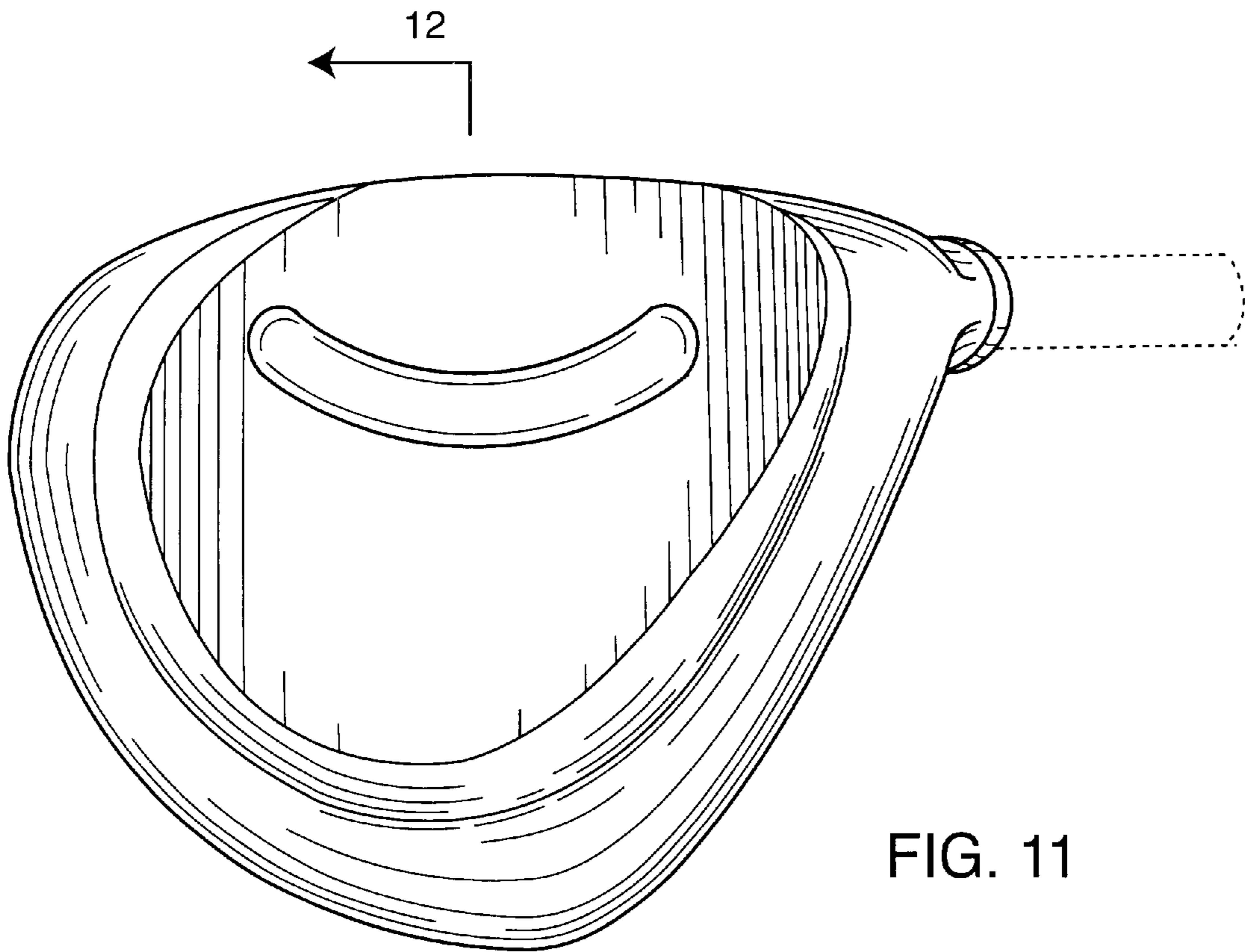


FIG. 12

FIG. 13

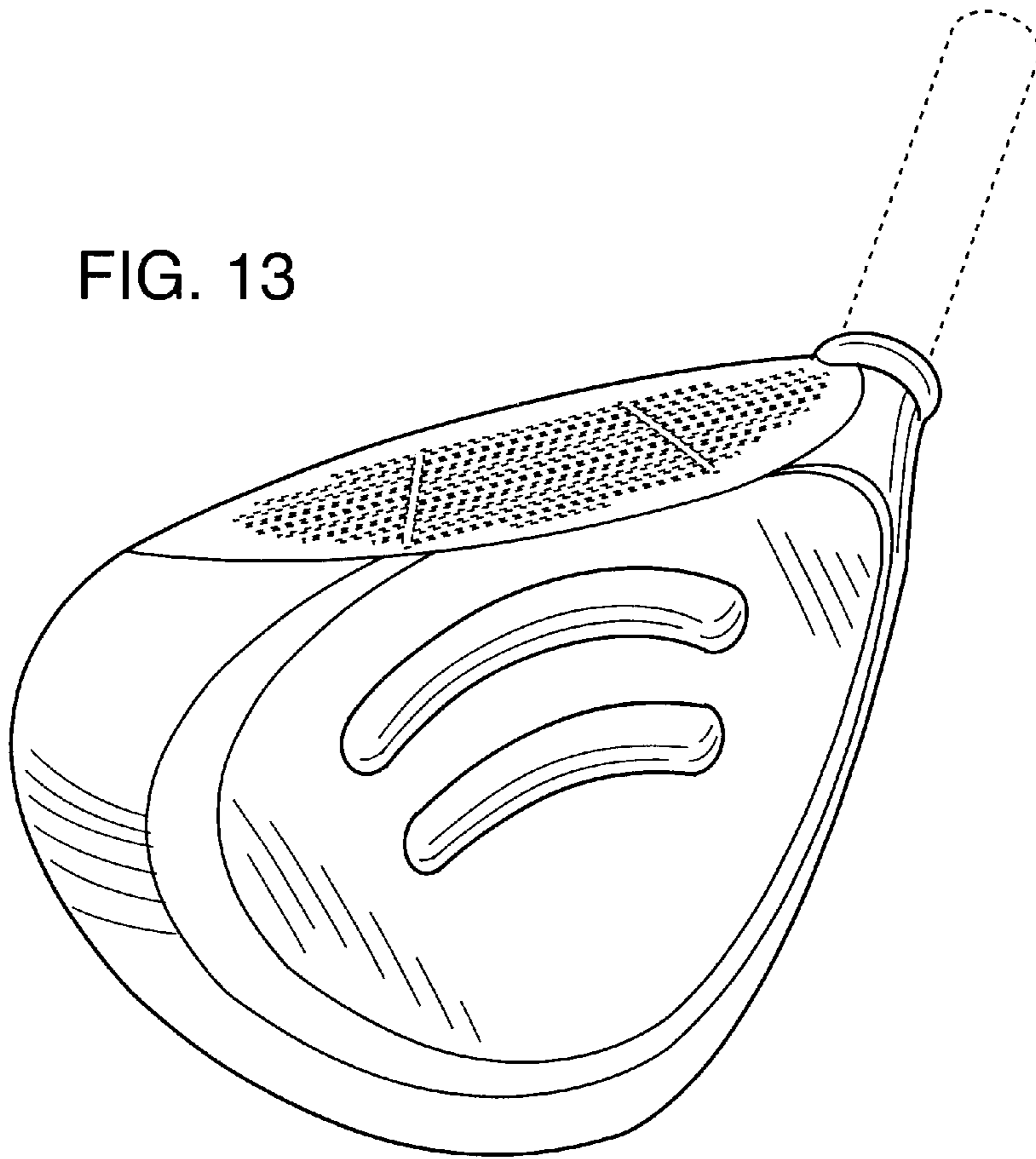


FIG. 14

