



US00D482416S

(12) **United States Design Patent**
Yang

(10) **Patent No.:** **US D482,416 S**

(45) **Date of Patent:** **** Nov. 18, 2003**

(54) **SMALL SIZE EXERCISE BIKE**

(76) **Inventor:** **Lien-Chuan Yang**, 11F-1, No. 149,
Roosevelt Rd., Sec. 3, Taipei (TW)

(**) **Term:** **14 Years**

(21) **Appl. No.:** **29/169,524**

(22) **Filed:** **Oct. 23, 2002**

(51) **LOC (7) Cl.** **21-02**

(52) **U.S. Cl.** **D21/663**

(58) **Field of Search** D21/662, 663,
D21/664, 665, 666, 667, 668; 482/51, 57,
58, 59, 60, 61

(56) **References Cited**

U.S. PATENT DOCUMENTS

D281,710 S	*	12/1985	Kirby	D21/663
D282,478 S	*	2/1986	Williams	D21/663
D372,283 S	*	7/1996	Chen	D21/663
D373,395 S	*	9/1996	Chen	D21/663
5,647,822 A	*	7/1997	Avganim	482/60

5,833,583 A	*	11/1998	Chuang	482/60
D460,988 S	*	7/2002	Forvilly et al.	D21/663
D462,099 S	*	8/2002	Chen	D21/663

* cited by examiner

Primary Examiner—Philip S. Hyder

(74) *Attorney, Agent, or Firm*—Troxell Law Office PLLC

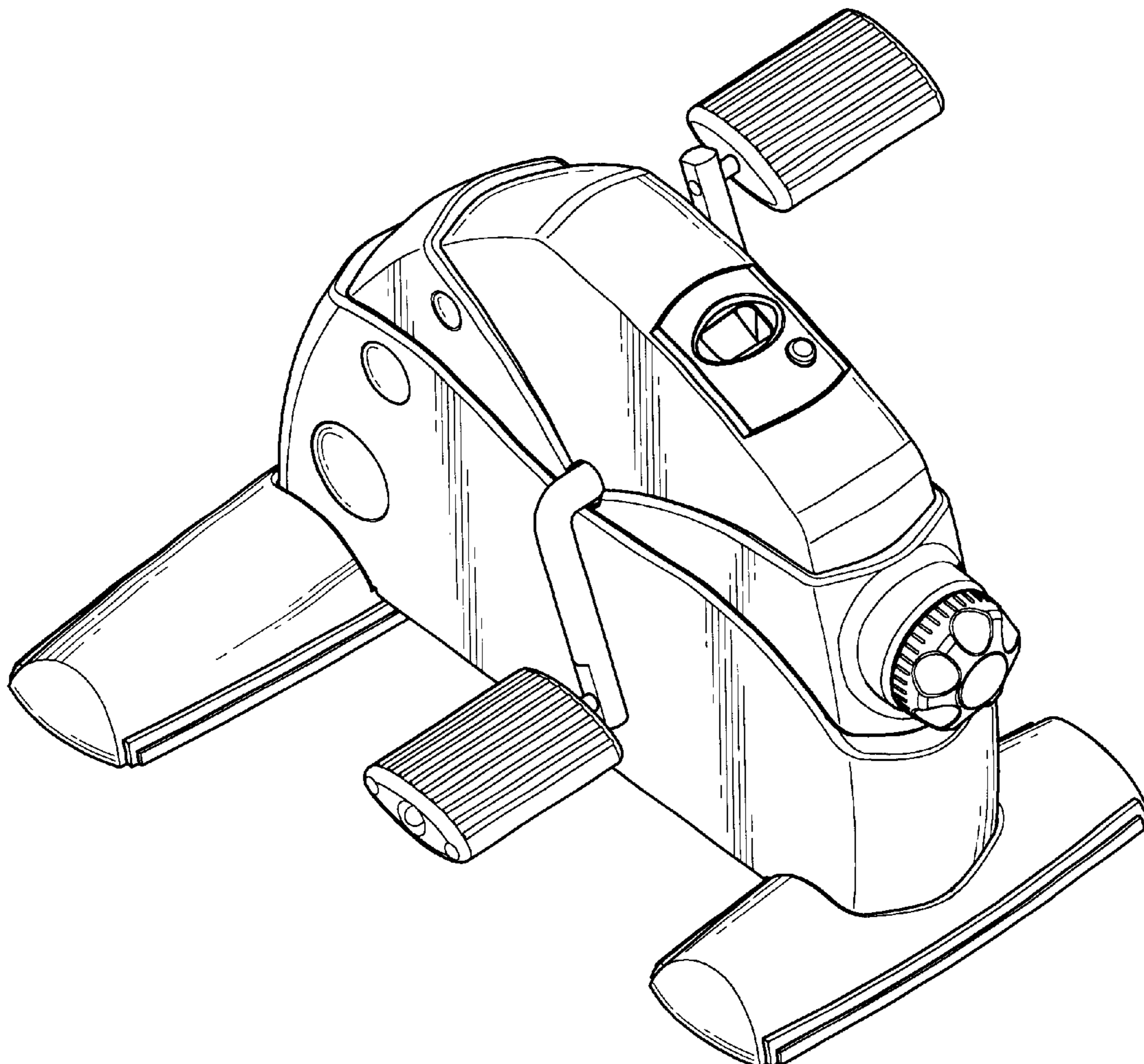
(57) **CLAIM**

The ornamental design for a small size exercise bike, as shown and described.

DESCRIPTION

FIG. 1 is a perspective view of the small size exercise bike showing the new design;
FIG. 2 is a front view of the new design;
FIG. 3 is a rear view of the new design;
FIG. 4 is a left view of the new design;
FIG. 5 is a right view fo the new design;
FIG. 6 is a top view of the new design; and,
FIG. 7 is a bottom view of the new design.

1 Claim, 7 Drawing Sheets



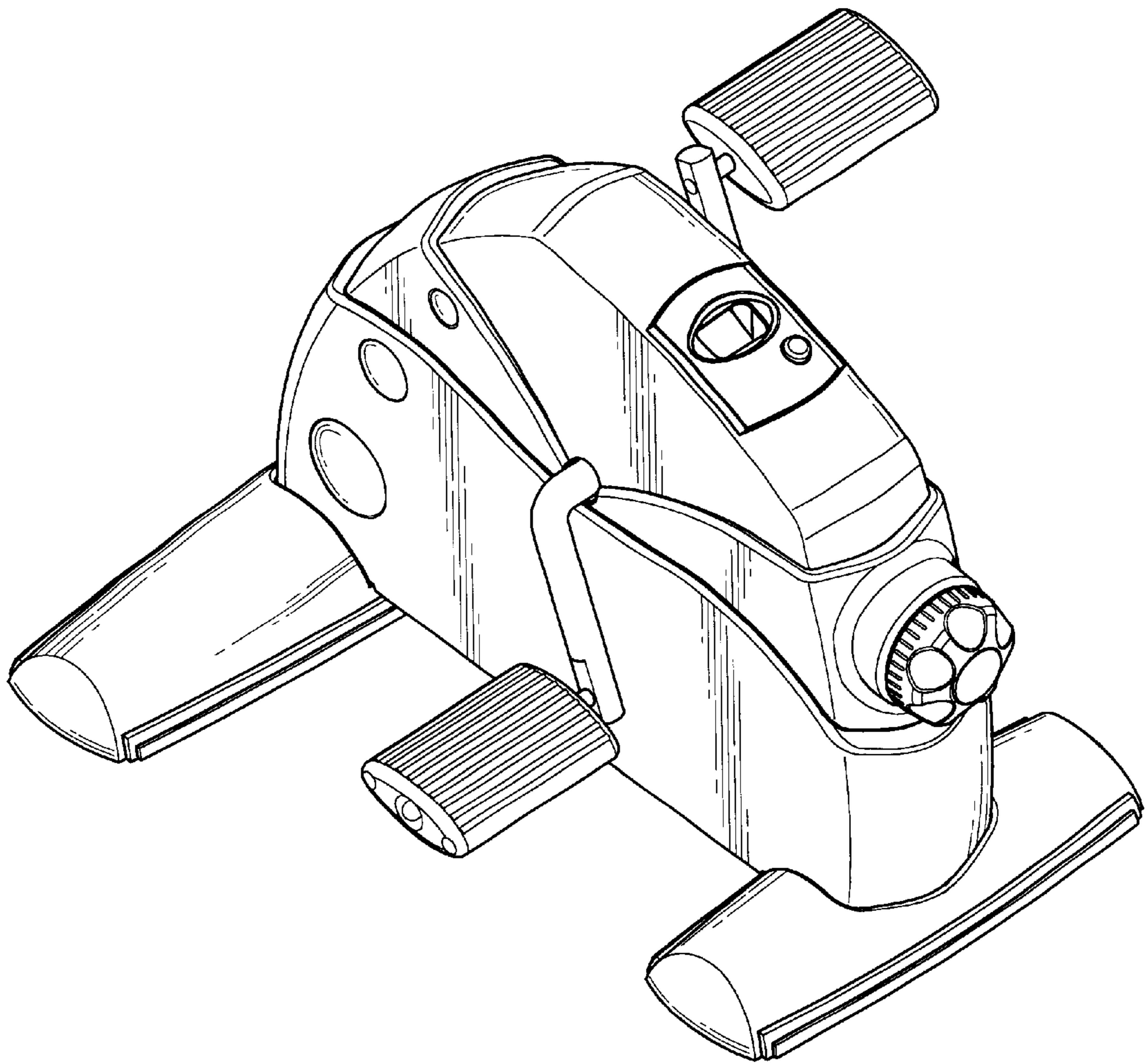


Fig. 1

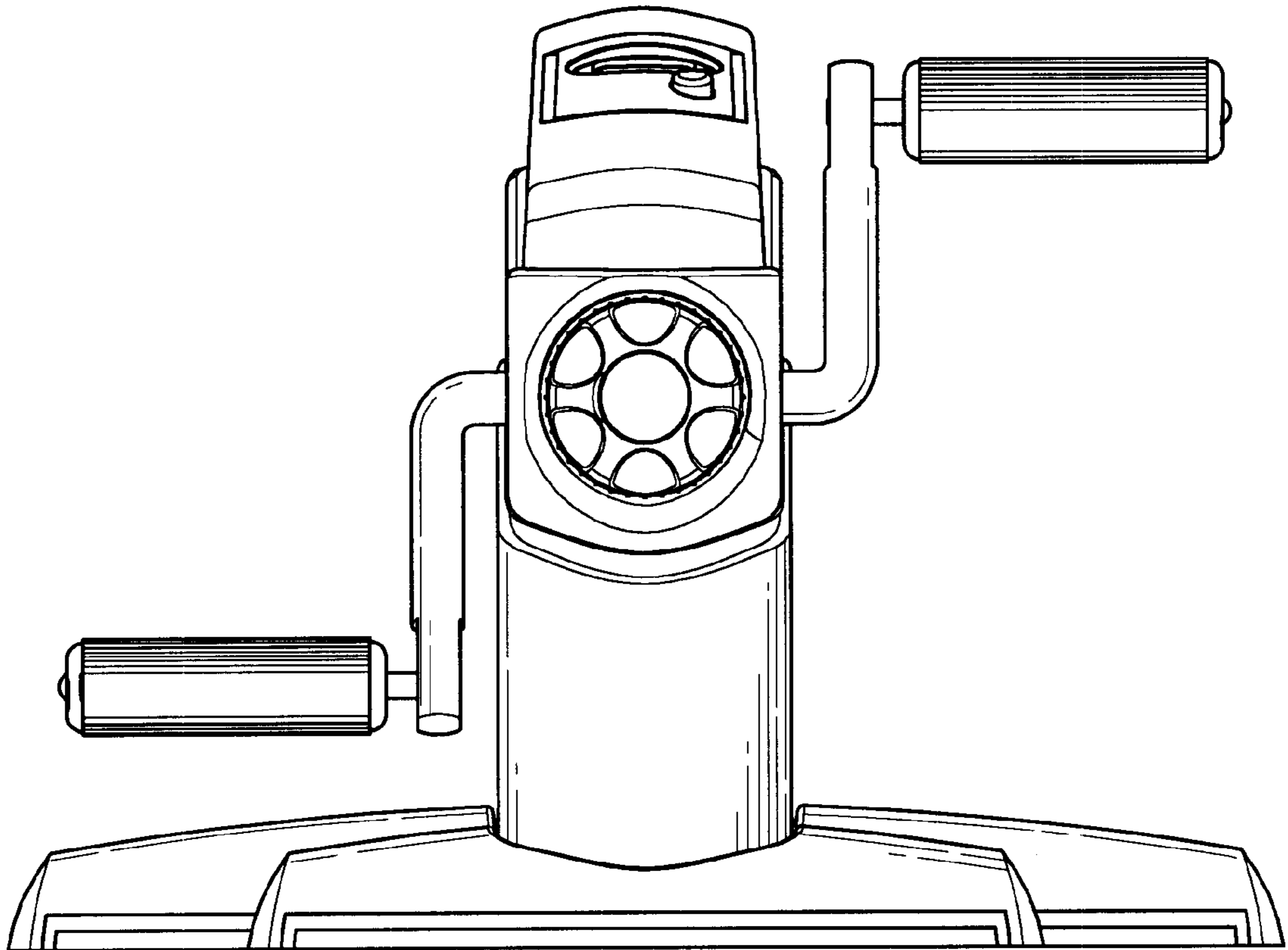


Fig. 2

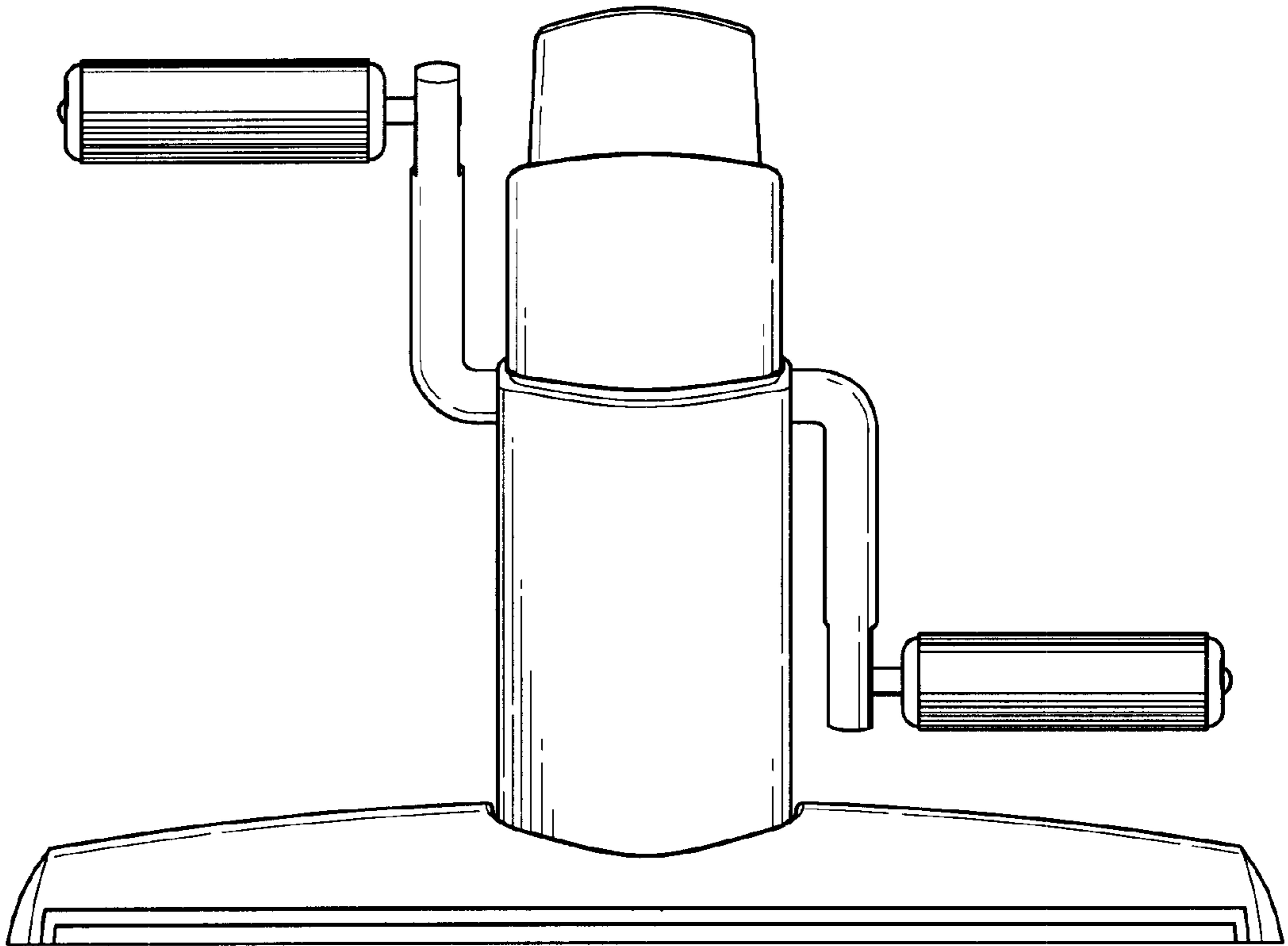


Fig. 3

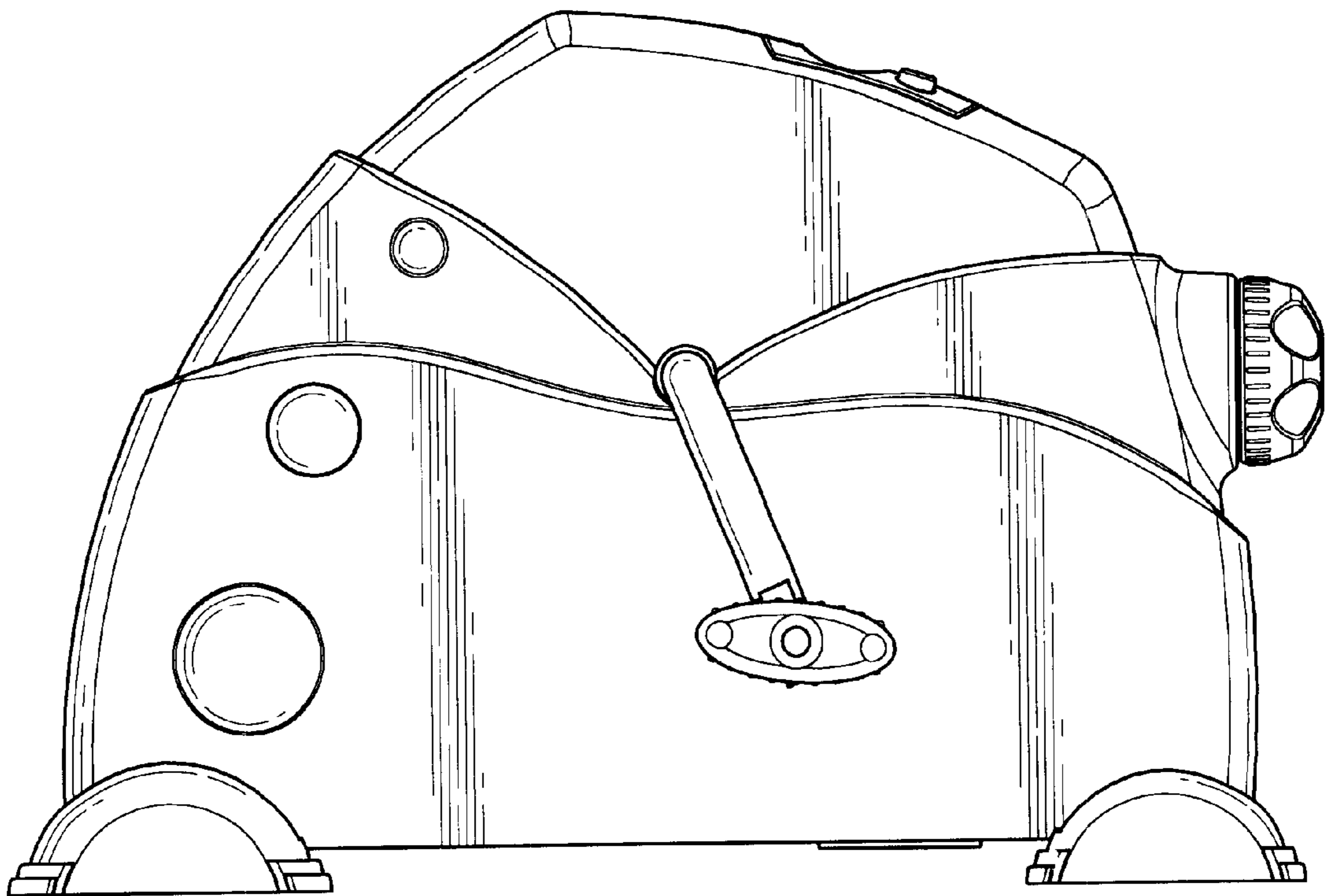


Fig. 4

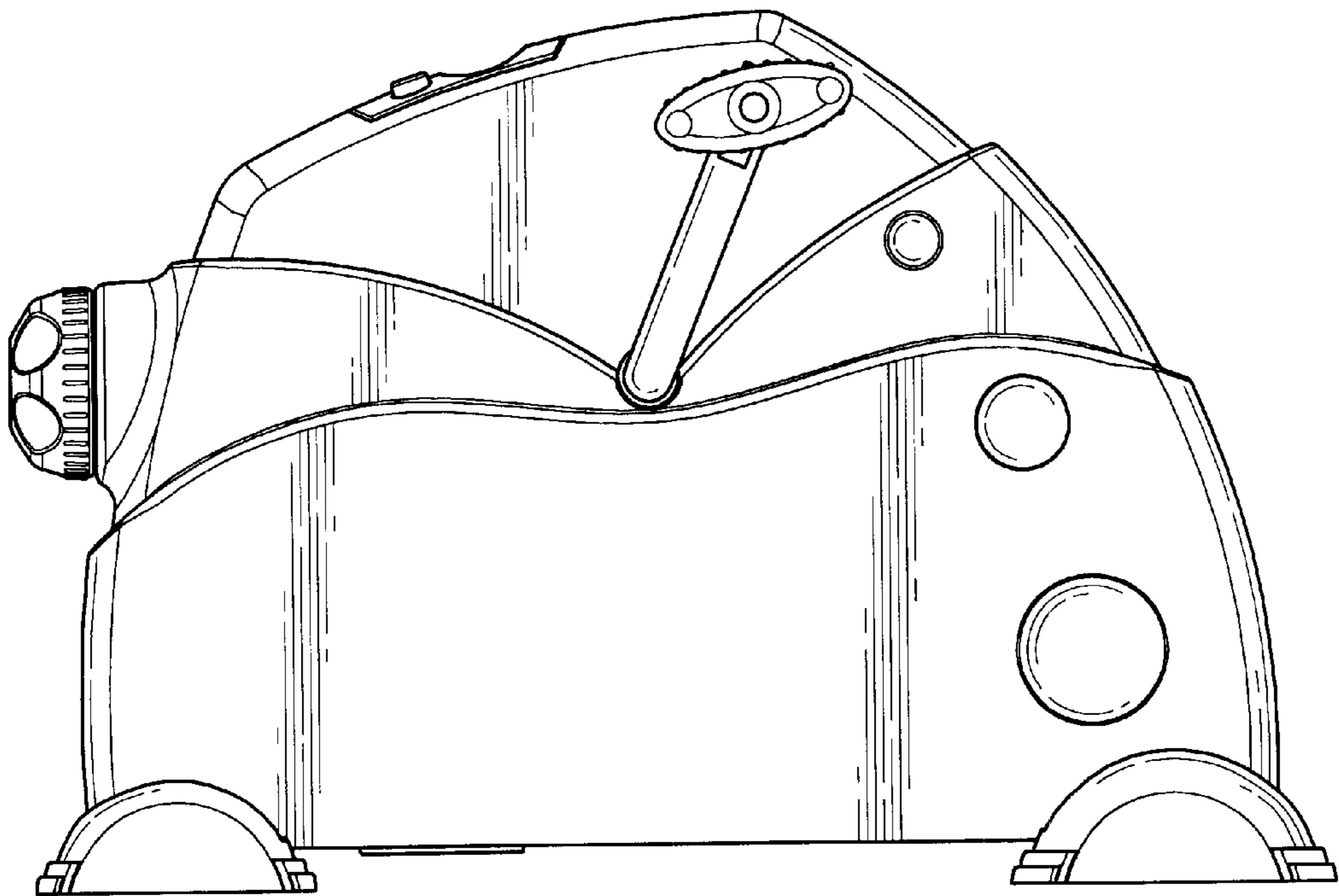


Fig. 5

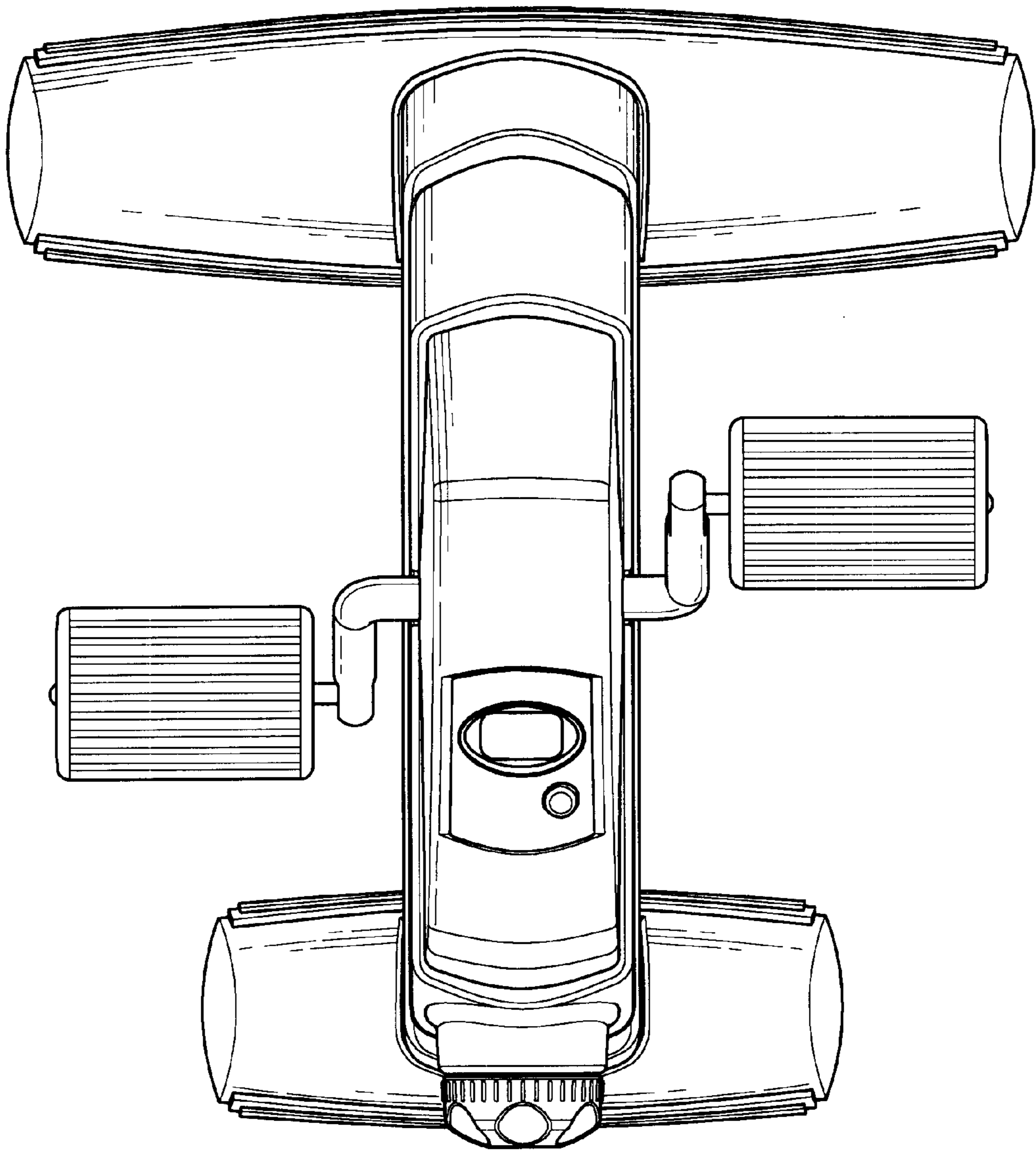


Fig. 6

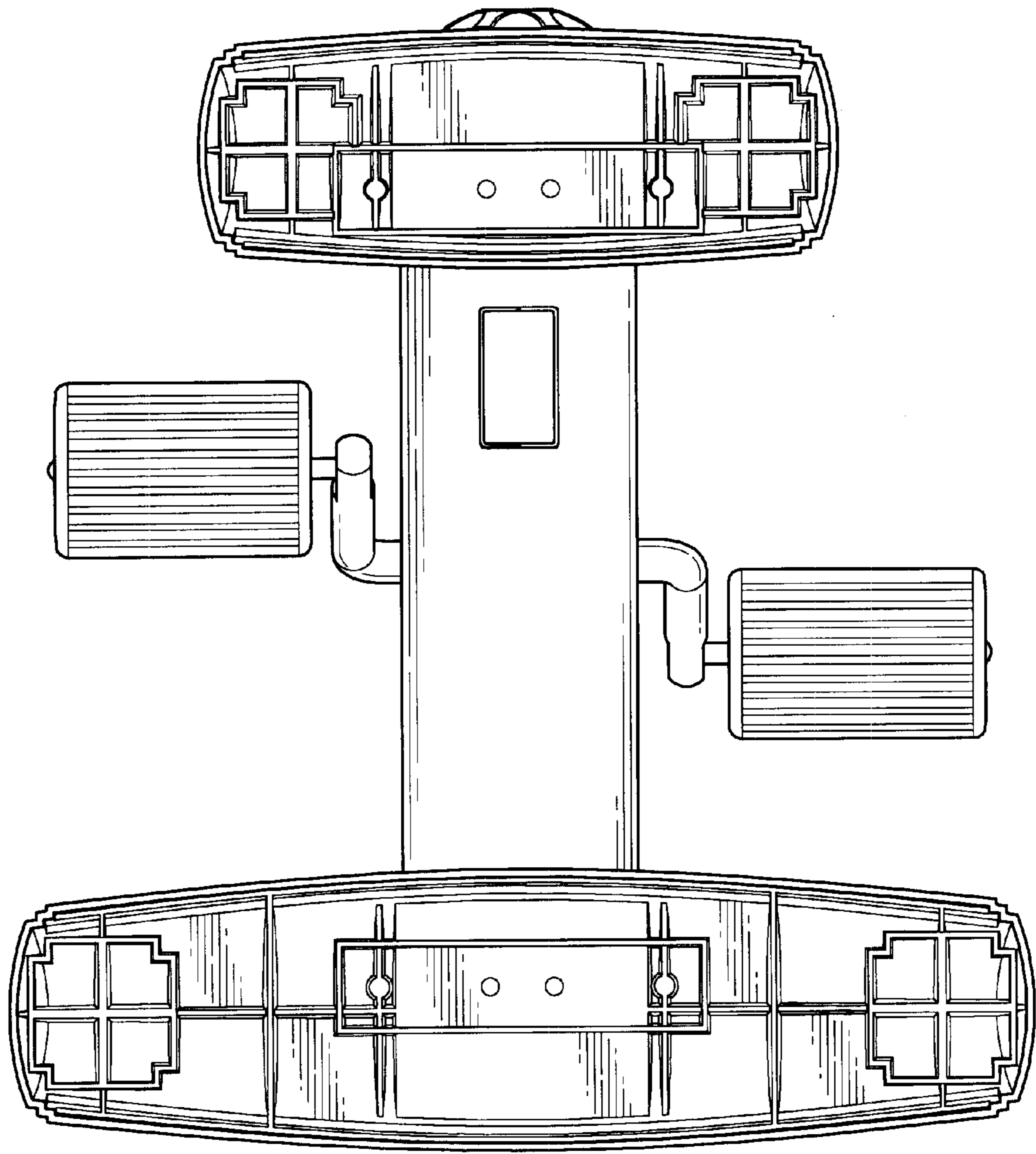


Fig. 7