



US00D482407S

(12) **United States Design Patent**
Seelig et al.

(10) **Patent No.: US D482,407 S**

(45) **Date of Patent: ** Nov. 18, 2003**

(54) **GAMING DEVICE DISPLAY**

(75) Inventors: **Jerald C. Seelig**, Abescon, NJ (US);
Larry Henshaw, Hammonton, NJ (US)

(73) Assignee: **Atlantic City Coin & Slot Service Company, Inc.**, Pleasantville, NJ (US)

(**) Term: **14 Years**

(21) Appl. No.: **29/162,418**

(22) Filed: **Jun. 14, 2002**

D291,426 S	*	8/1987	Husbands	D11/145
D295,090 S	*	4/1988	Sheridan	D30/101
4,961,578 A	*	10/1990	Chateau	273/144 R
5,004,443 A	*	4/1991	Su	446/392
5,187,889 A	*	2/1993	Kraselsky et al.	40/407
D336,061 S	*	6/1993	Kraselsky et al.	D11/157
D375,764 S	*	11/1996	Hollinger	D21/371
D383,802 S	*	9/1997	Levy	D21/385
5,702,101 A	*	12/1997	Russell	273/144 B
5,743,526 A	*	4/1998	Inoue	273/144 R
D406,865 S	*	3/1999	Heidel	D21/385
D432,277 S	*	10/2000	Seelig et al.	D21/385
D442,230 S	*	5/2001	Seelig et al.	D21/370
D442,641 S	*	5/2001	Seelig et al.	D21/370

Related U.S. Application Data

(63) Continuation of application No. 29/156,214, filed on Oct. 22, 2001, now Pat. No. Des. 463,506, which is a continuation-in-part of application No. 09/644,279, filed on Aug. 22, 2000, now Pat. No. 6,450,884, and a continuation-in-part of application No. 29/119,509, filed on Mar. 1, 2000, now Pat. No. Des. 451,149, and a continuation-in-part of application No. 29/128,935, filed on Aug. 30, 2000, now Pat. No. Des. 462,399.

(51) **LOC (7) Cl.** **21-03**

(52) **U.S. Cl.** **D21/370**

(58) **Field of Search** D9/549; D21/369-372, D21/385; D11/157, 162; D30/107; 273/143 R, 144 R, 144 A, 144 B; 463/17, 20, 46, 47

References Cited

U.S. PATENT DOCUMENTS

490,902 A	*	1/1893	Galbreath	D7/621
D41,790 S	*	9/1911	Amsler	D20/7
D163,323 S	*	5/1951	Rioux	D21/372
3,077,254 A	*	2/1963	Goldfarb	D20/7
3,557,945 A	*	1/1971	Gourio	206/45.24
4,508,346 A	*	4/1985	Salvucci	273/144 B
D284,292 S	*	6/1986	Smirne	D21/371

* cited by examiner

Primary Examiner—Sandra L. Morris

(74) *Attorney, Agent, or Firm*—Ian F. Burns & Associates; Ian F. Burns

(57) **CLAIM**

The ornamental design for a gaming device display, as shown and described.

DESCRIPTION

FIG. 1 is a perspective view of the gaming device display. FIG. 2 is a front elevational view of the gaming device display.

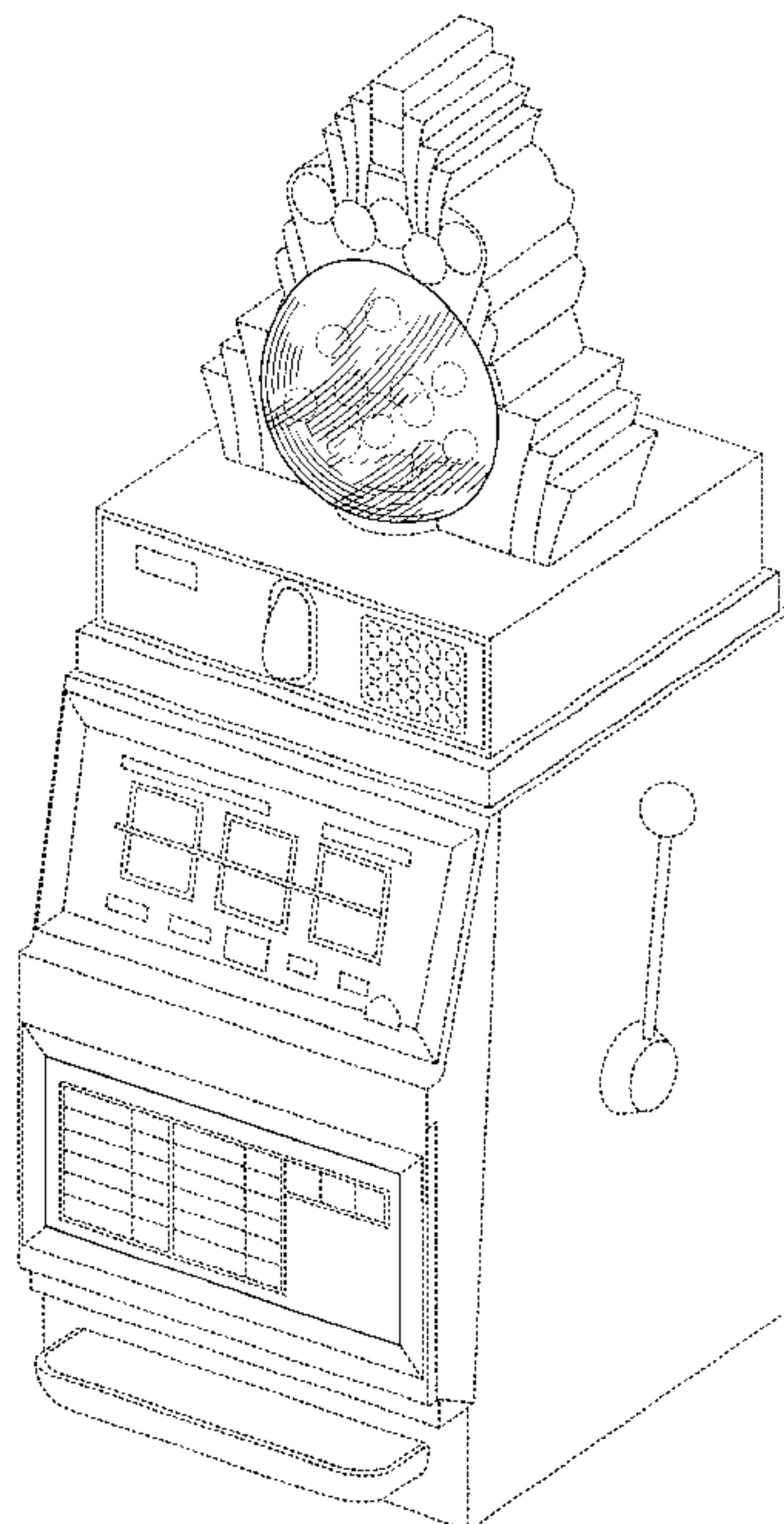
FIG. 3 is a back elevational view of the gaming device display.

FIG. 4 is a left side elevational view of the gaming device display.

FIG. 5 is a top plan view of the gaming device display; and, FIG. 6 is a right side elevational view of the gaming device display.

Broken lines illustrative features or environmental components that are not part of the design sought to be patented.

1 Claim, 3 Drawing Sheets



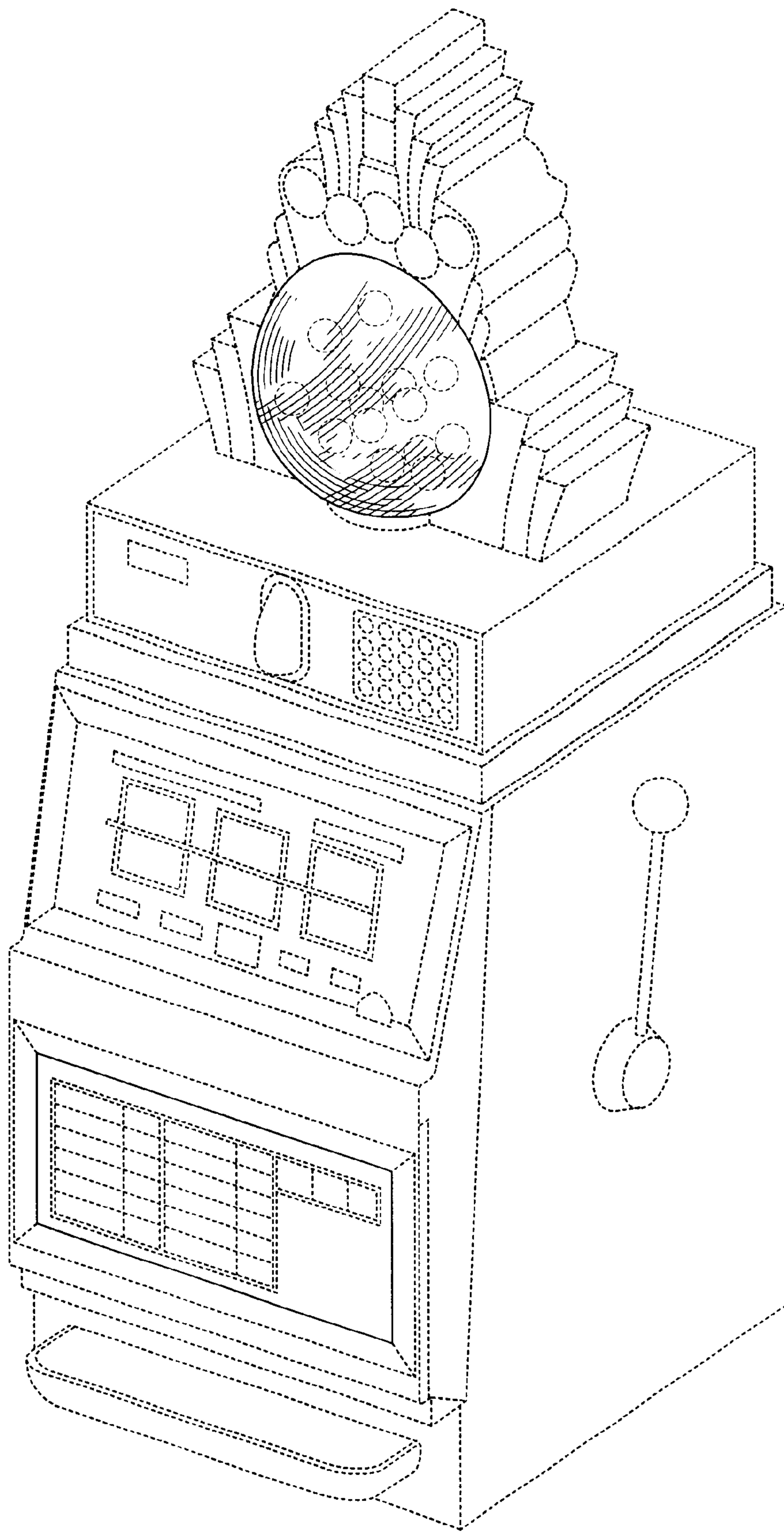


FIG. 1.

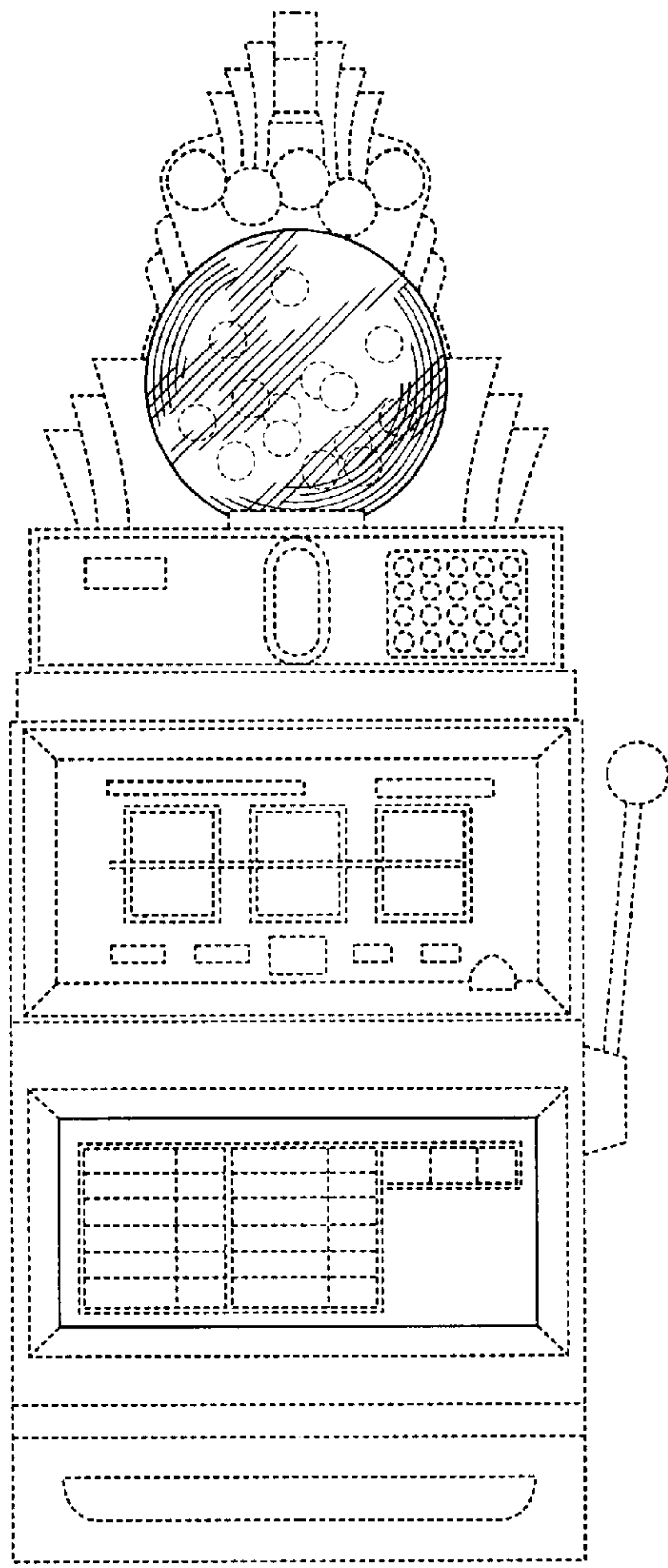


FIG. 2.

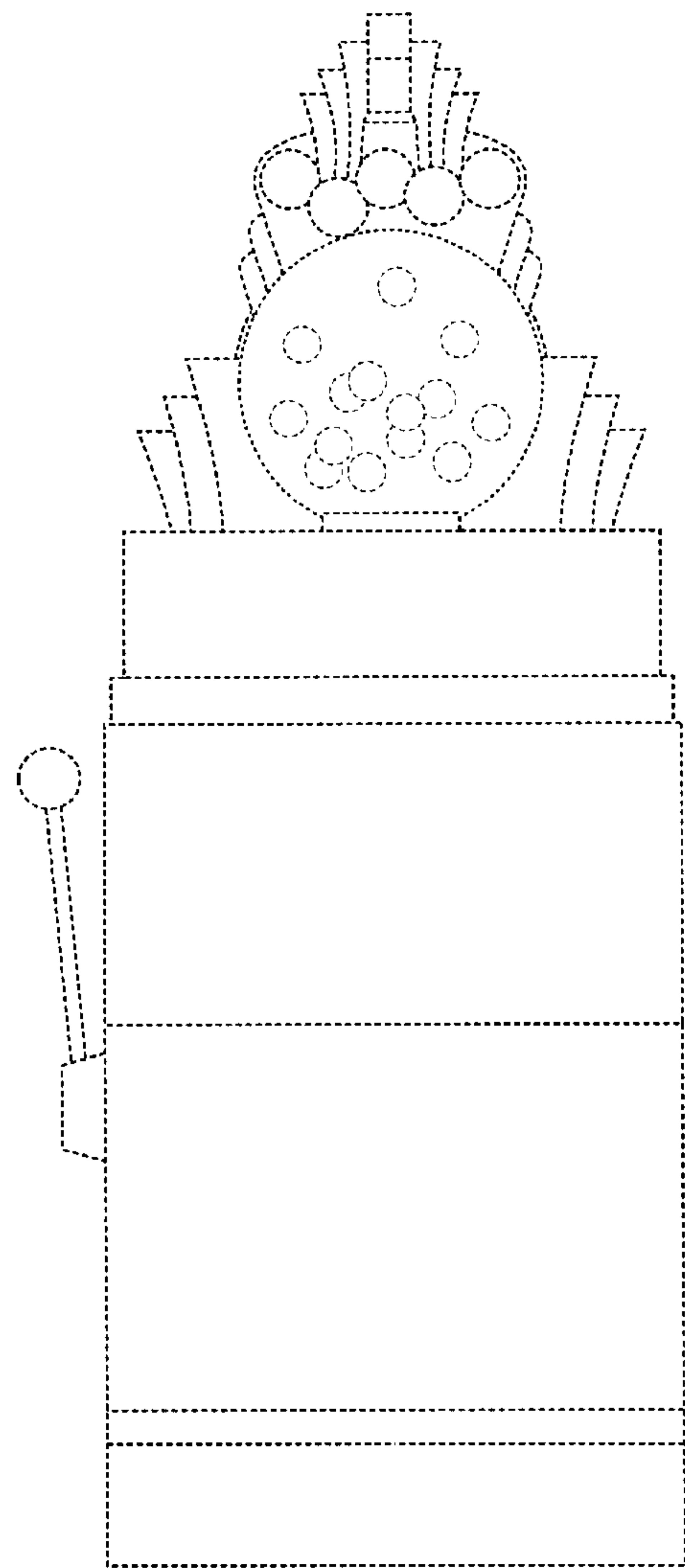


FIG. 3.

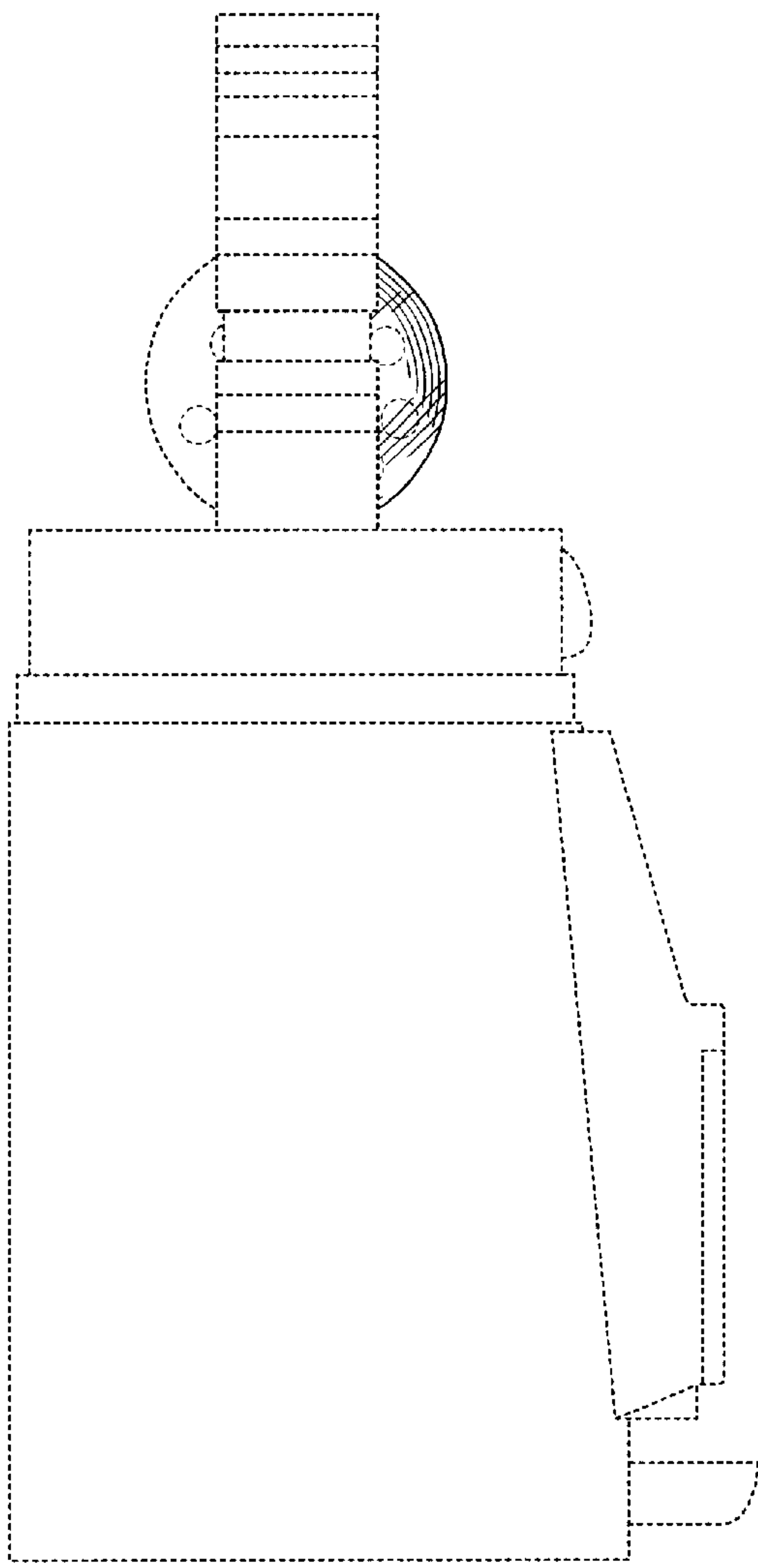


FIG. 4.

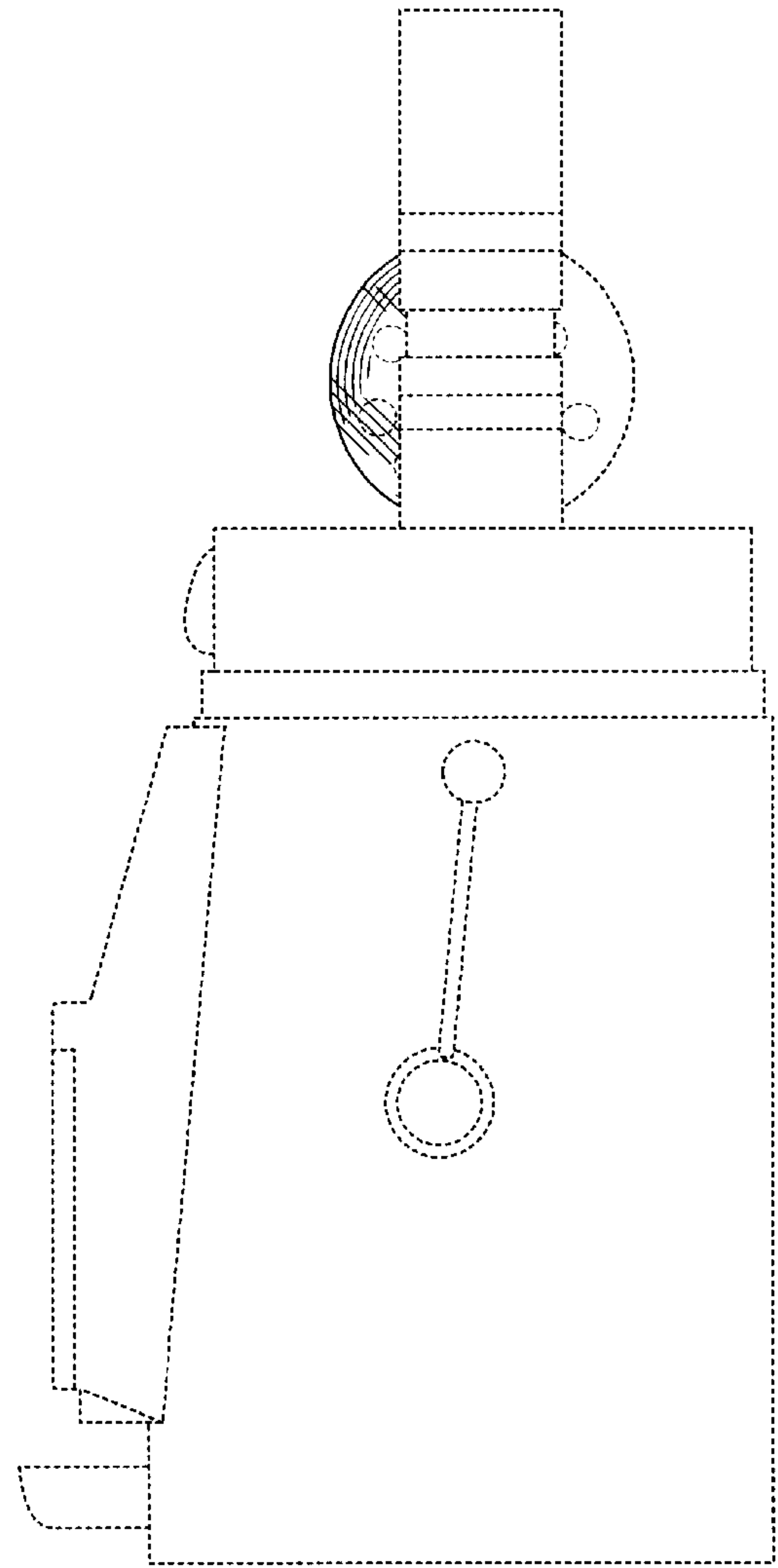


FIG. 6.

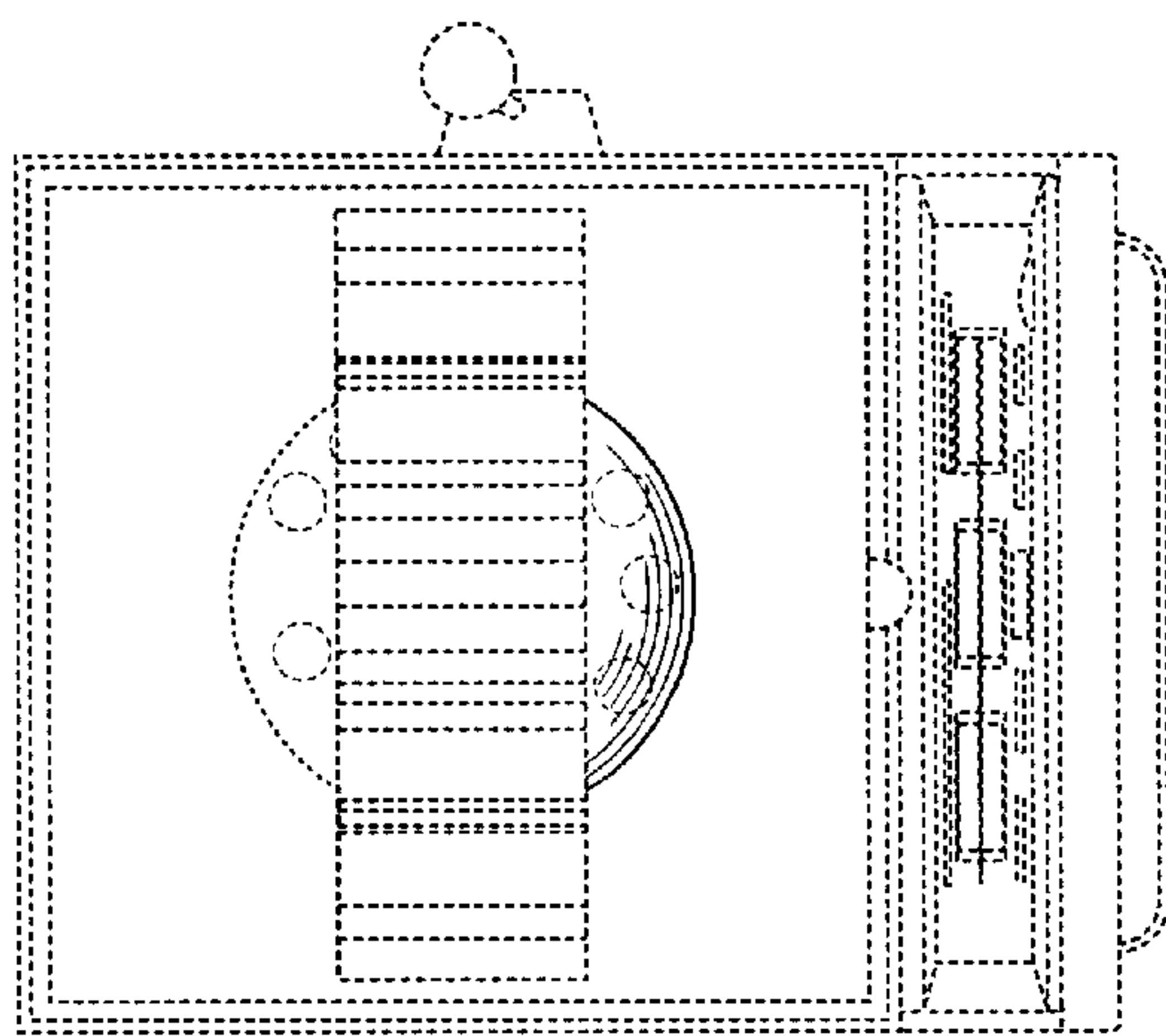


FIG. 5.