



US00D482401S

(12) **United States Design Patent** (10) **Patent No.:** **US D482,401 S**
Eggers et al. (45) **Date of Patent:** **** Nov. 18, 2003**

(54) **DISPLAY RACK**

D444,304 S * 7/2001 Polonsky D6/310

(75) Inventors: **Elizabeth K. Eggers**, Edina, MN (US);
Timothy Lee Bratland, Woodbury, MN
(US); **Susan M. Super**, Coon Rapids,
MN (US)

(73) Assignee: **DecoPac, Inc.**, Minneapolis, MN (US)

(**) Term: **14 Years**

(21) Appl. No.: **29/161,648**

(22) Filed: **May 31, 2002**

(51) **LOC (7) Cl.** **20-02**

(52) **U.S. Cl.** **D20/10; D20/19**

(58) **Field of Search** D20/10, 19, 21,
D20/29, 36, 37, 99; D6/303, 419, 420,
450; D19/26, 27, 62; 40/1, 119, 341, 351,
492; 248/441.1, 460

(56) **References Cited**

U.S. PATENT DOCUMENTS

880,590	A	*	3/1908	Sommer	206/45.24
D63,246	S	*	11/1923	Weibezahn	D6/419
1,818,253	A	*	8/1931	Hermann	248/441.1
2,982,568	A	*	5/1961	Wolfe	281/33
3,043,047	A	*	7/1962	La Fleur	248/454
3,079,725	A	*	3/1963	La Fleur	248/441.1
3,172,687	A	*	3/1965	Lawrence	281/31
4,743,135	A	*	5/1988	Gauntlett	402/70
D352,062	S	*	11/1994	Nichols	D19/26
6,119,383	A	*	9/2000	Gruneisen, III	40/492

OTHER PUBLICATIONS

Color copy of brochure regarding a Bakery Crafts display apparatus believed to have been distributed prior to May 31, 2002 (1 pg.).

Color copy of brochure regarding a Deco Pac display apparatus which was distributed prior to May 31, 2002 (1 pg.).

Color photograph of Deco Pac display apparatus which was distributed prior to May 31, 2002 (1 pg.).

* cited by examiner

Primary Examiner—Robert M. Spear

(74) *Attorney, Agent, or Firm*—Fish & Richardson P.C.

(57) **CLAIM**

The ornamental design for a display rack, as shown and described.

DESCRIPTION

FIG. 1 is a front perspective view of a display rack design. FIG. 2 is a front elevation view of the display rack of FIG. 1.

FIG. 3 is a rear elevation view of the display rack of FIG. 1.

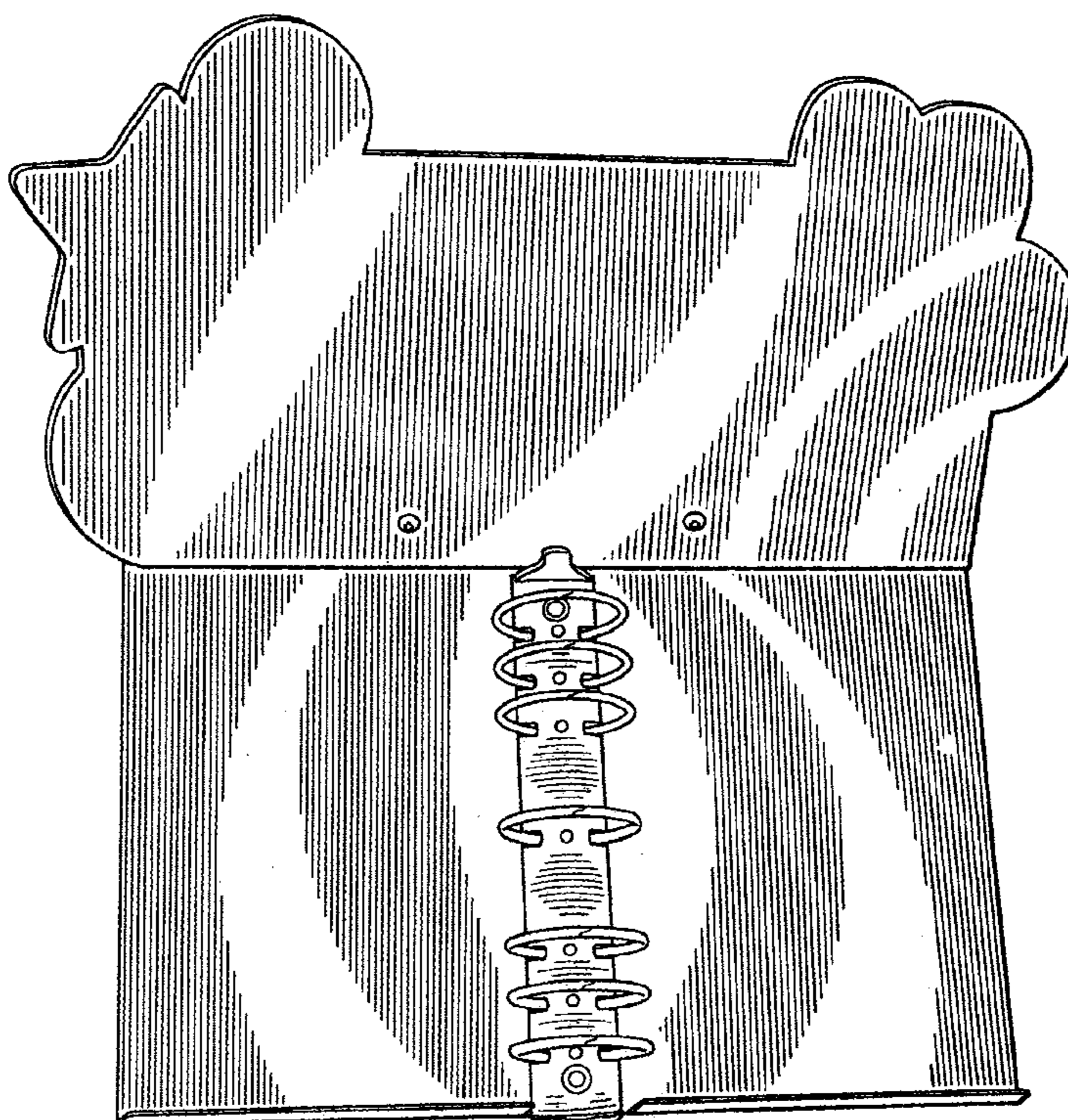
FIG. 4 is a top plan view of the display rack of FIG. 1.

FIG. 5 is a bottom view of the display rack of FIG. 1.

FIG. 6 is a left side elevation view of the display rack of FIG. 1; and,

FIG. 7 is a right side elevation view of the display rack of FIG. 1.

1 Claim, 6 Drawing Sheets



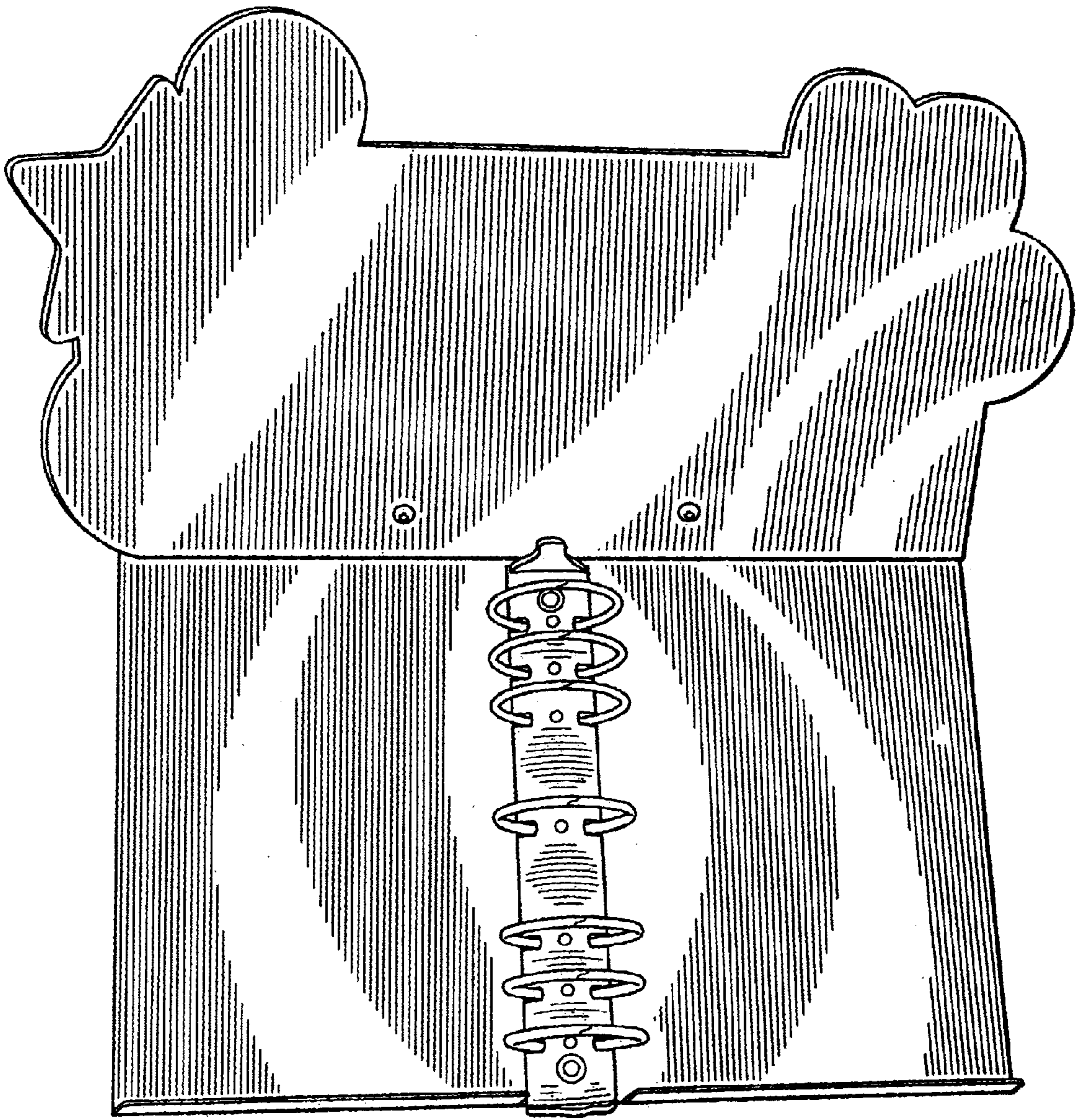


FIG. 1

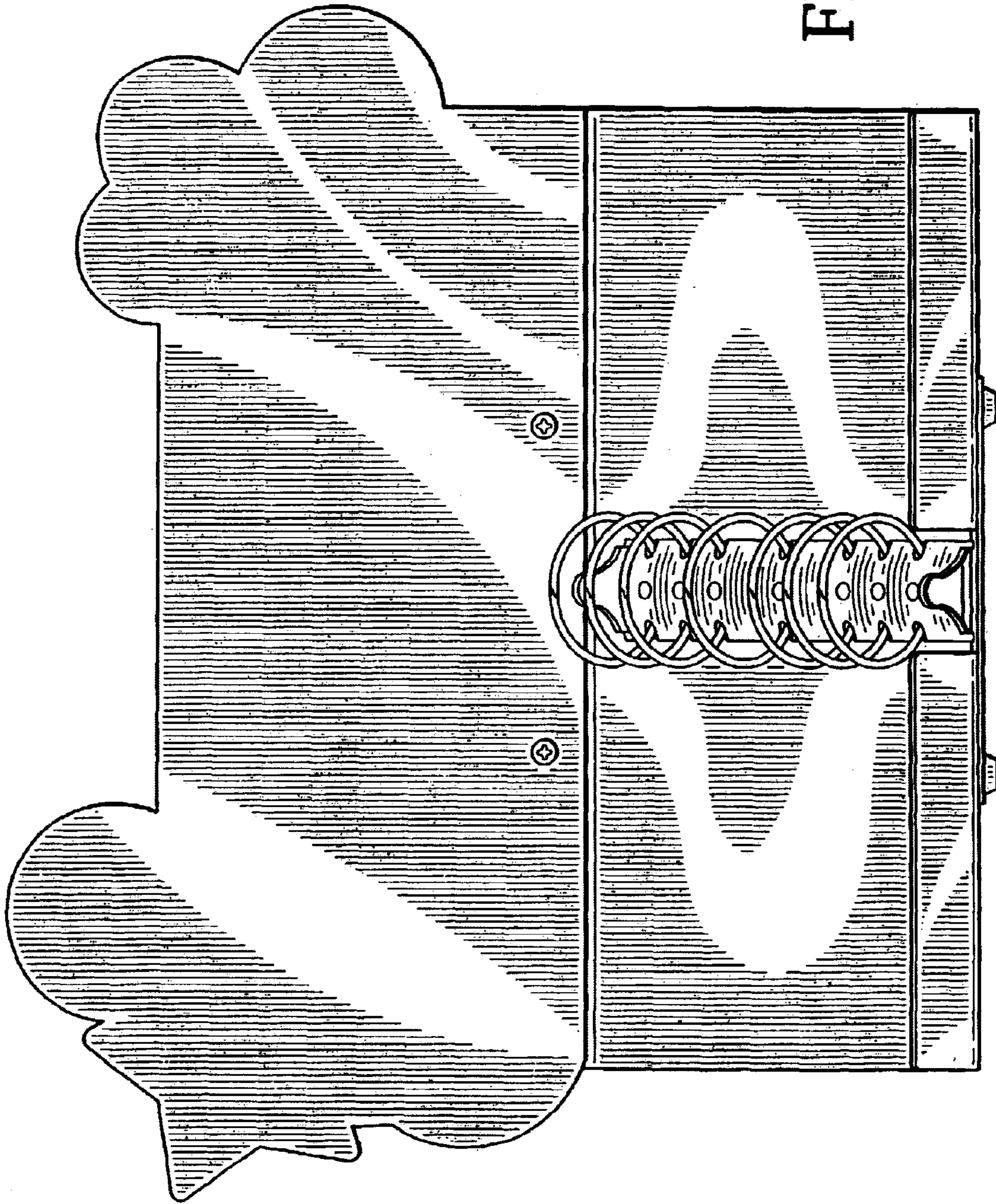


FIG. 2

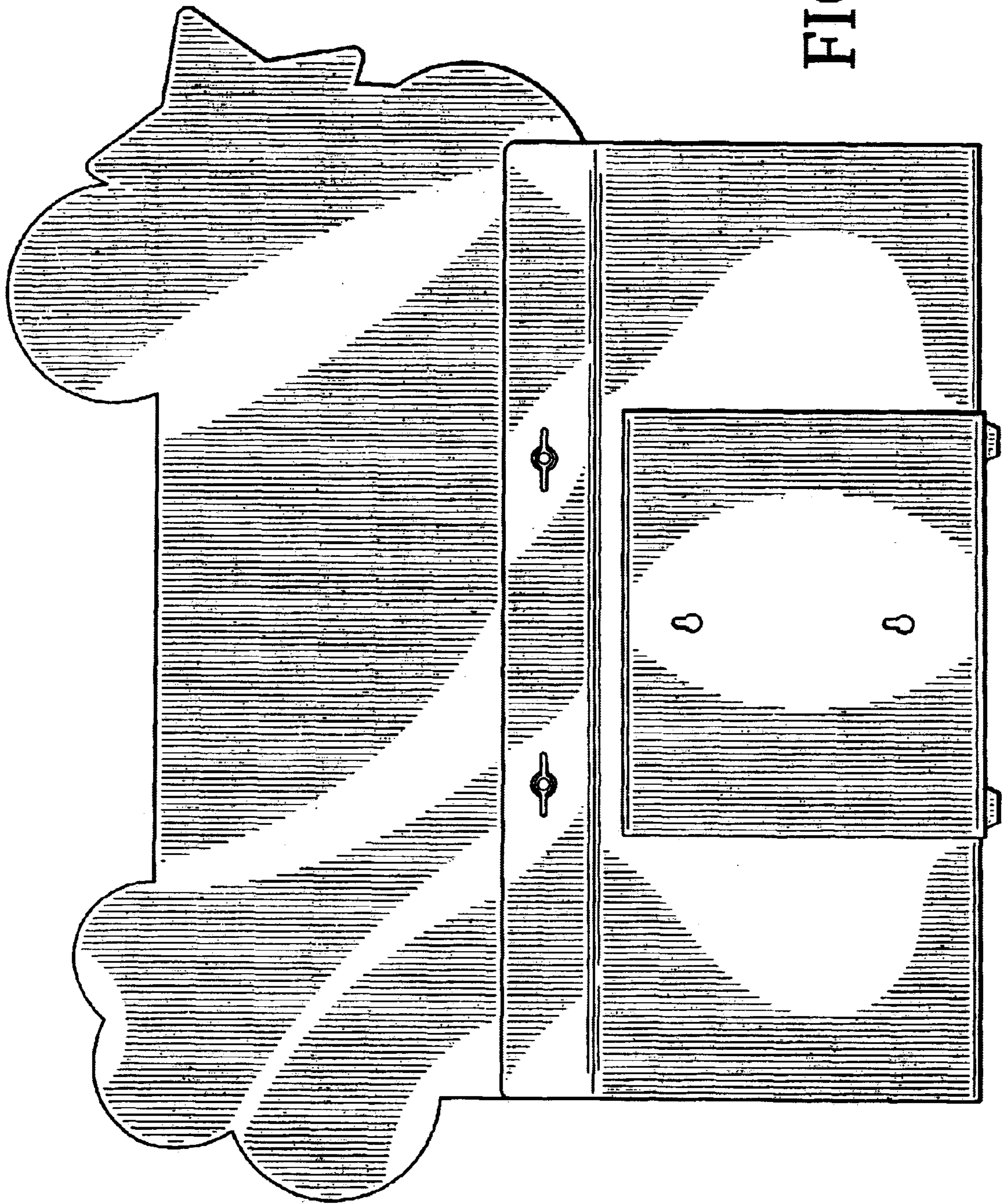


FIG. 3

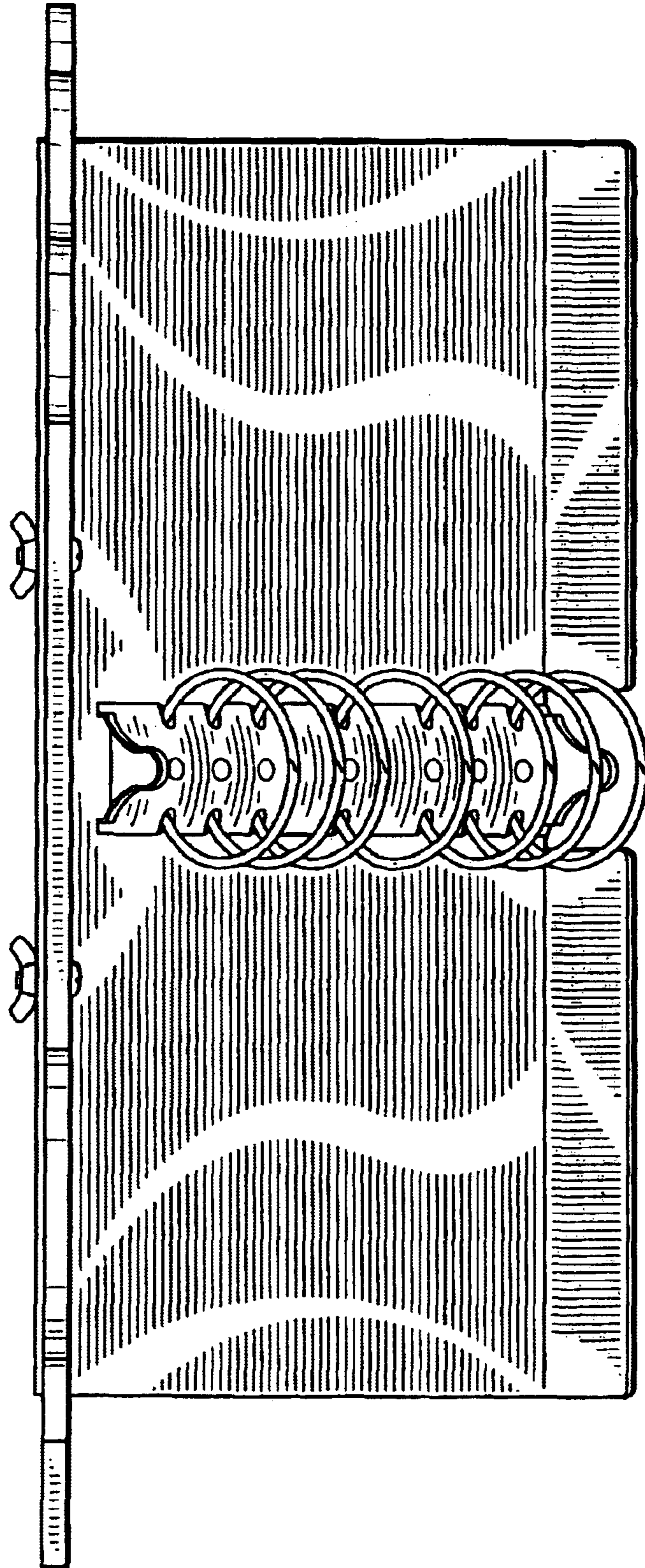


FIG. 4

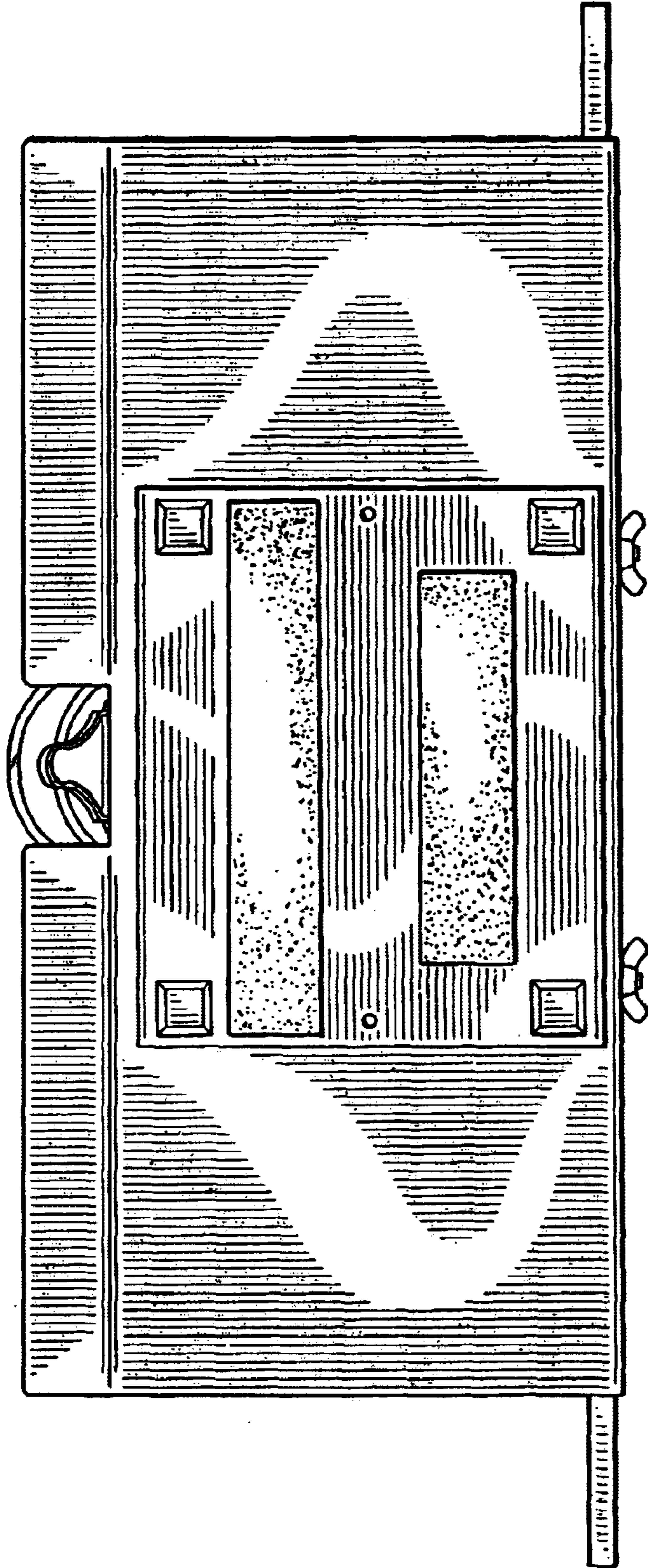


FIG. 5

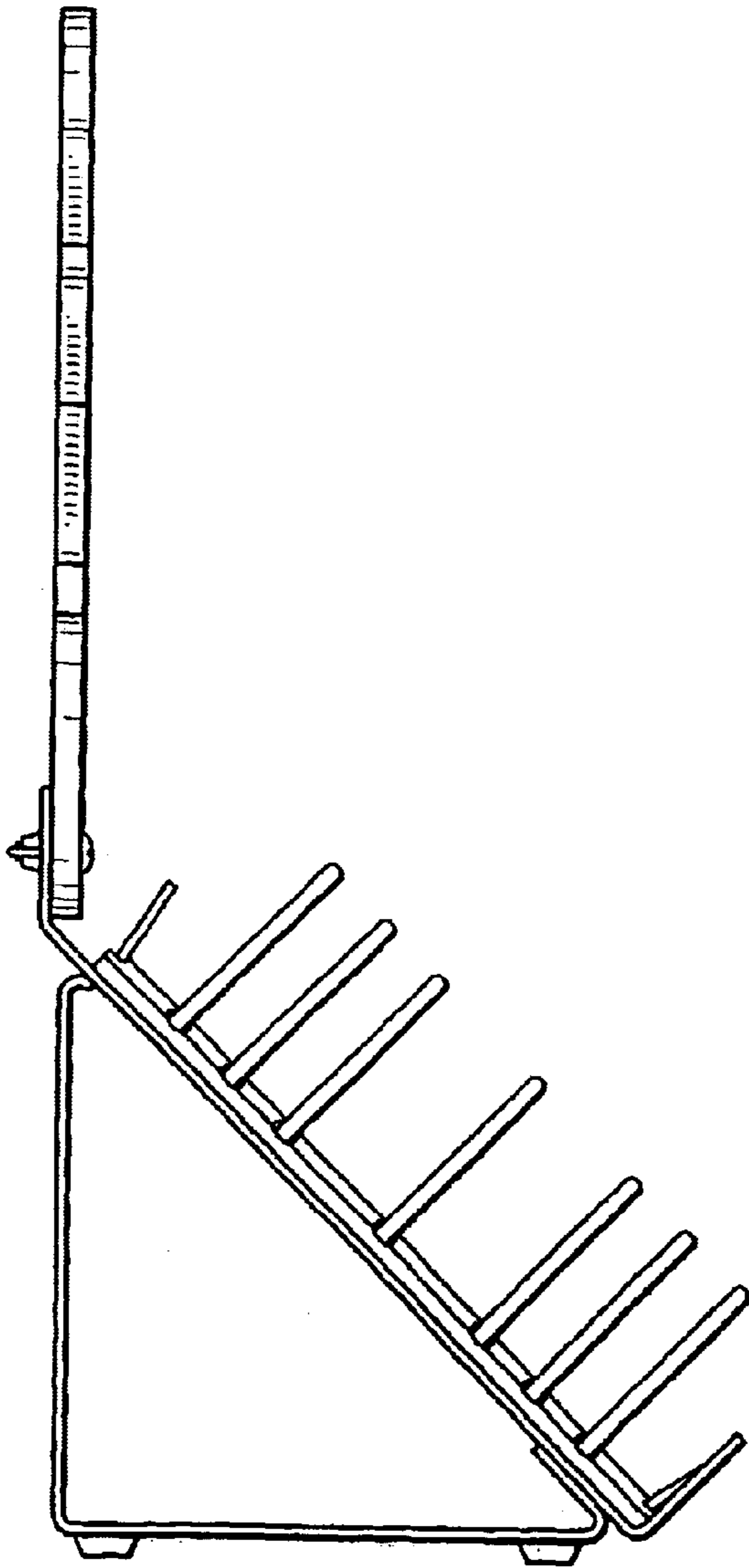


FIG. 6

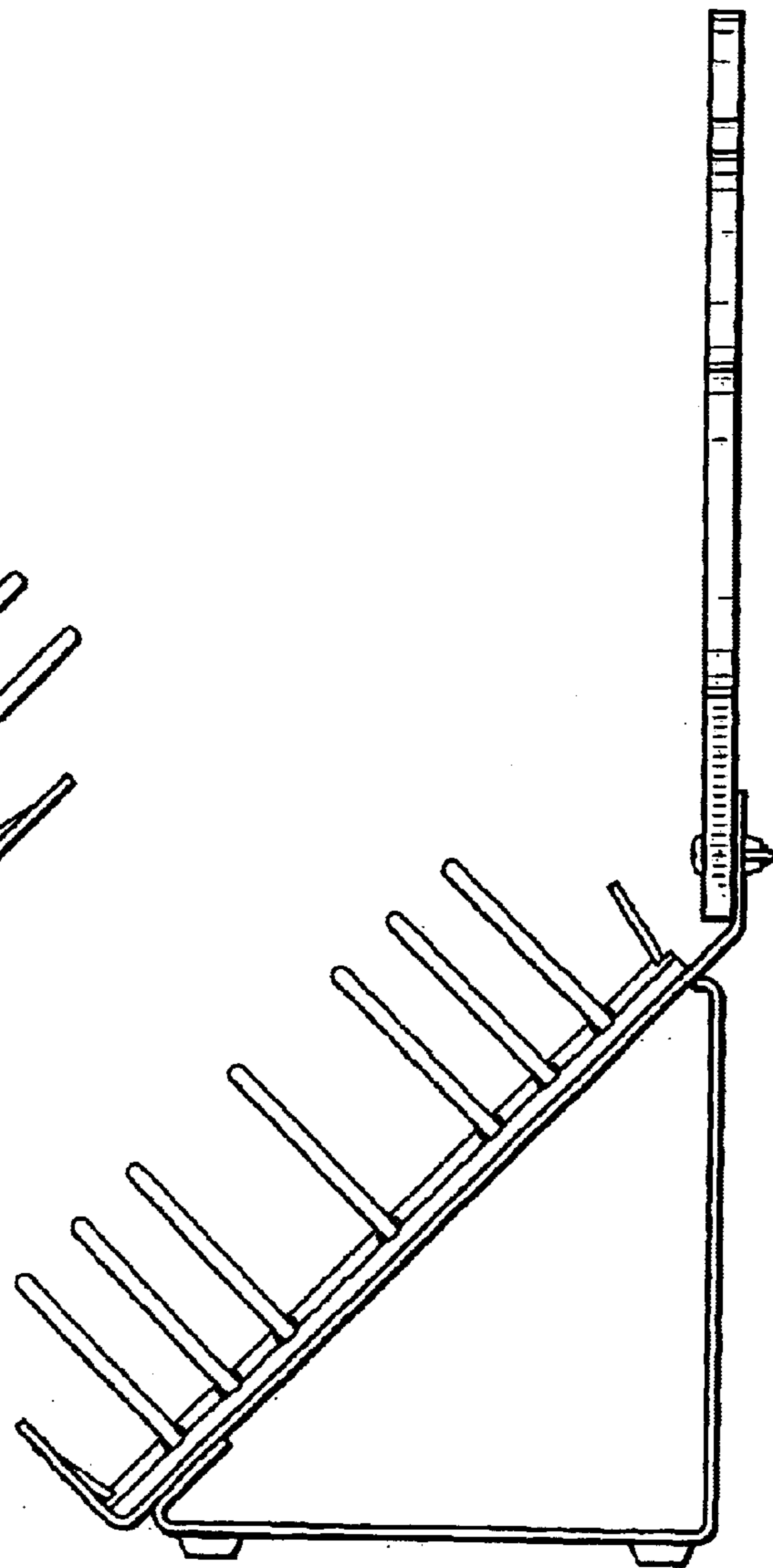


FIG. 7