



US00D482397S

(12) **United States Design Patent**
Hui

(10) **Patent No.:** **US D482,397 S**

(45) **Date of Patent:** **** Nov. 18, 2003**

(54) **TRIANGULAR BARREL MARKER PEN**

(75) **Inventor:** **Ve-chung Hui, Chai Wan (HK)**

(73) **Assignee:** **Tung Yik International Ltd., Chai Wan (HK)**

(**) **Term:** **14 Years**

(21) **Appl. No.:** **29/169,833**

(22) **Filed:** **Oct. 28, 2002**

(51) **LOC (7) Cl.** **19-06**

(52) **U.S. Cl.** **D19/43; D19/49; D19/56**

(58) **Field of Search** **D19/35, 36, 41-51, D19/53-58, 81-85; 401/98, 196, 202, 213, 243-247, 261, 262**

(56) **References Cited**

U.S. PATENT DOCUMENTS

- D161,826 S * 2/1951 Ferber D19/49
- D198,419 S * 6/1964 Hankins D19/43
- D215,626 S * 10/1969 Jonkers D19/49

- D219,797 S * 1/1971 Shimano et al. D19/51
- D223,688 S * 5/1972 Schnur et al. D19/49
- D342,546 S * 12/1993 Song D19/50
- D366,901 S * 2/1996 Takahashi D19/51

* cited by examiner

Primary Examiner—Martie K. Holtje

(74) *Attorney, Agent, or Firm*—Raymond Y. Chan; David and Raymond Patent Group

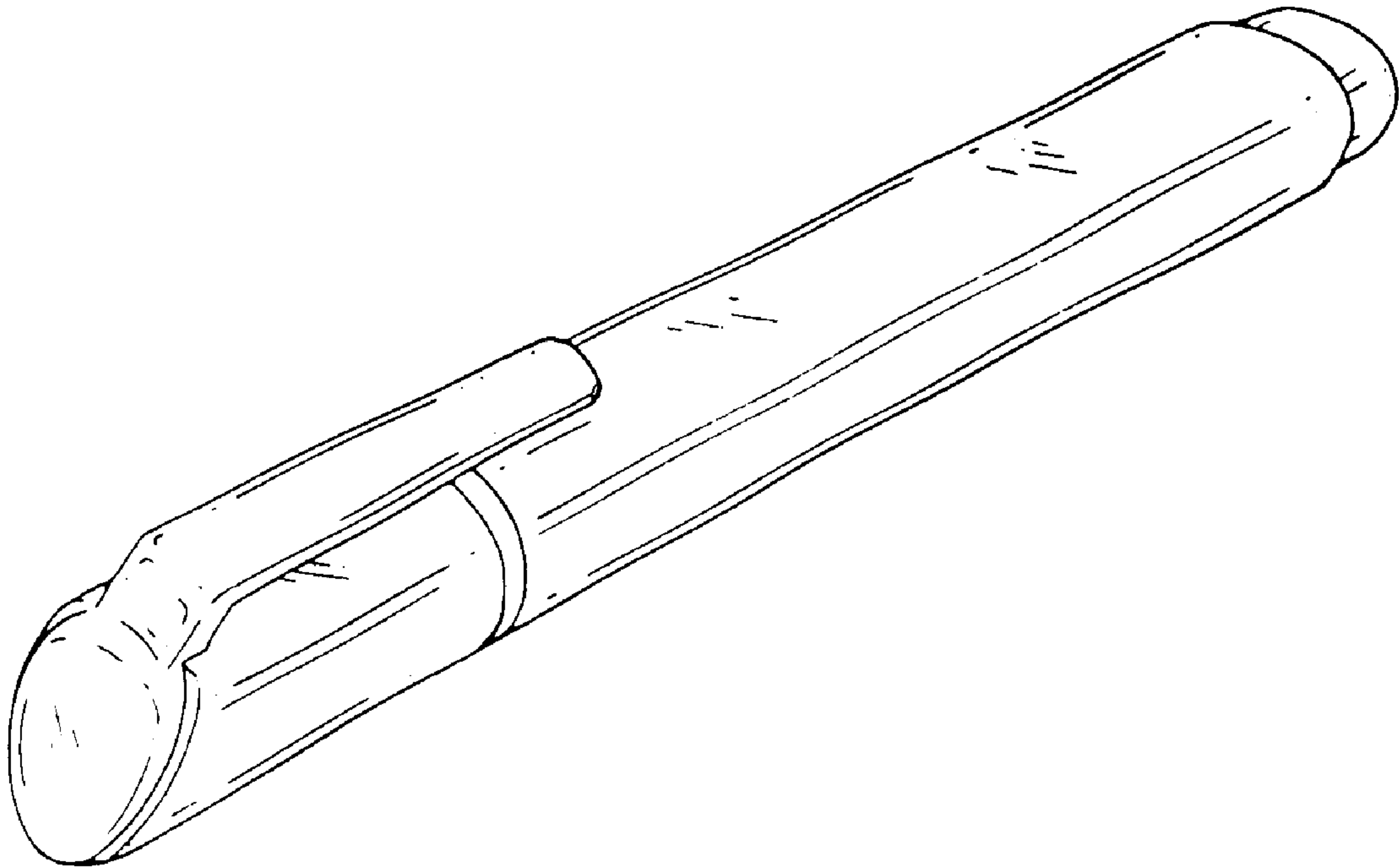
(57) **CLAIM**

The ornamental design for a triangular barrel marker pen, as shown.

DESCRIPTION

FIG. 1 is a perspective view showing my new design.
 FIG. 2 is a top plan view thereof;
 FIG. 3 is a bottom plan view thereof;
 FIG. 4 is a left side elevational view thereof;
 FIG. 5 is a right side elevational view thereof;
 FIG. 6 is a front elevational view thereof; and,
 FIG. 7 is a rear elevational view thereof.

1 Claim, 7 Drawing Sheets



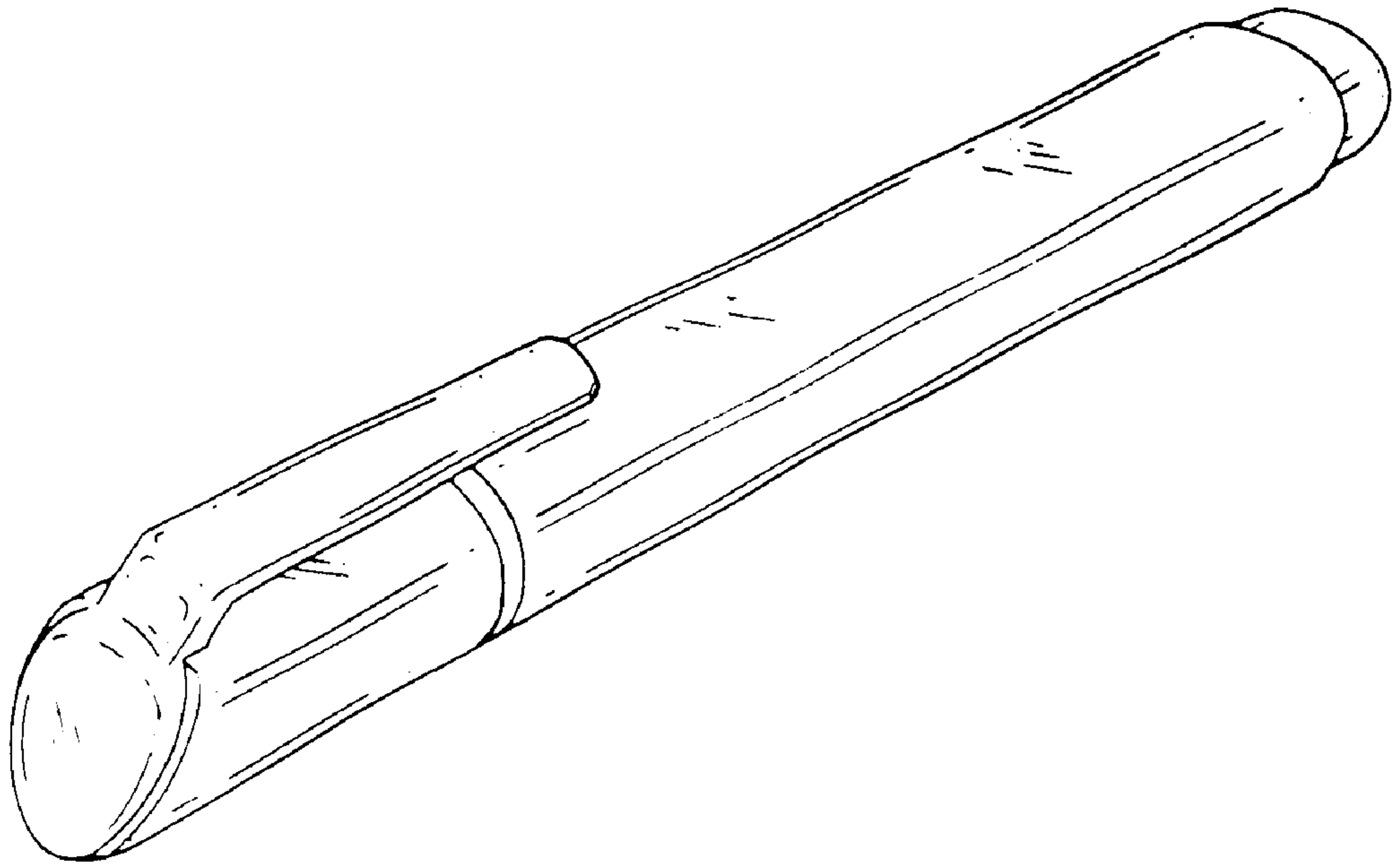


FIG. 1

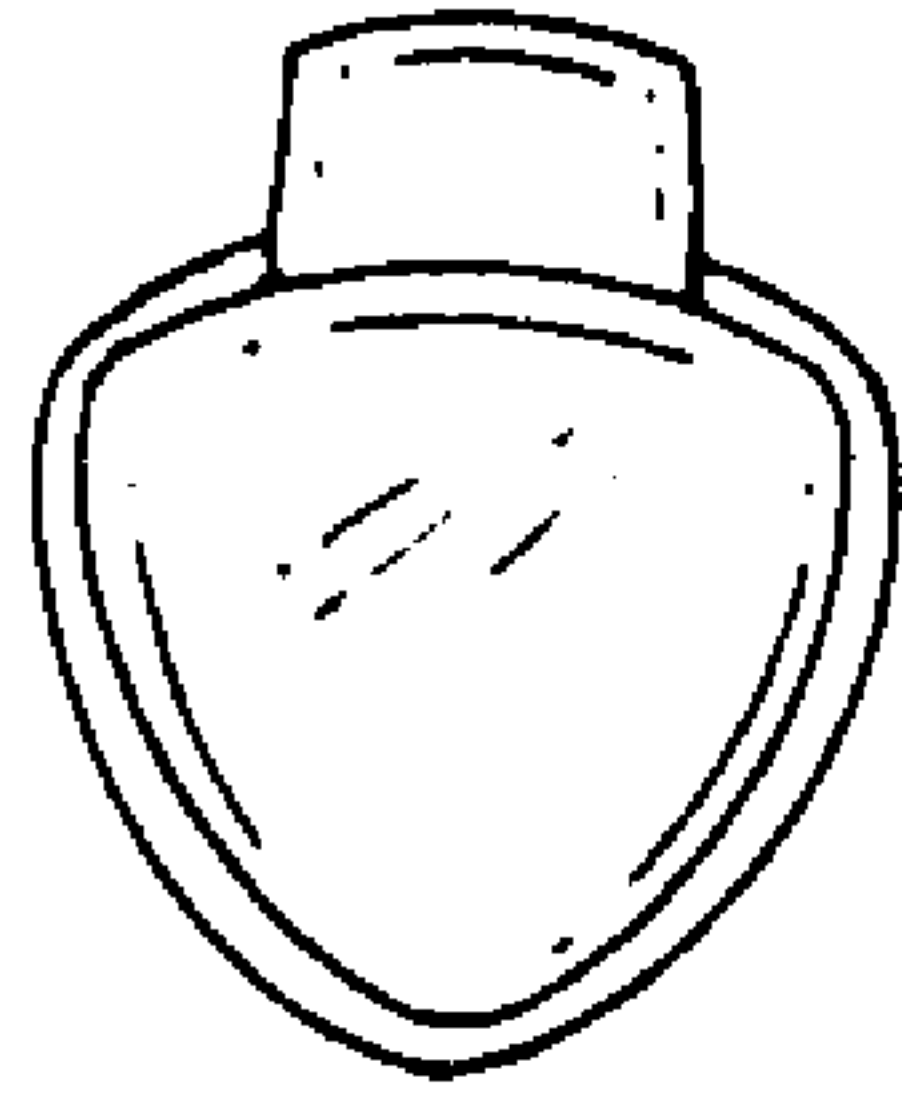


FIG. 2

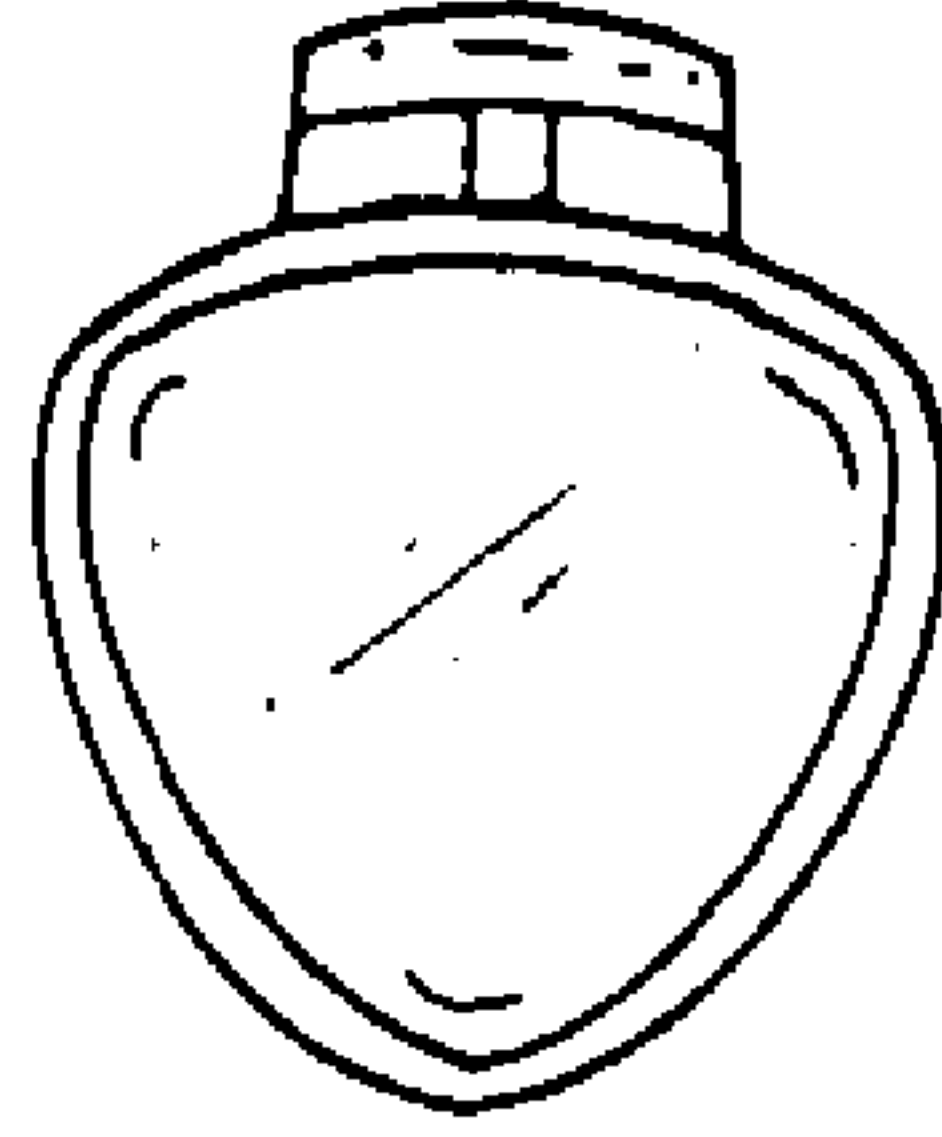


FIG. 3

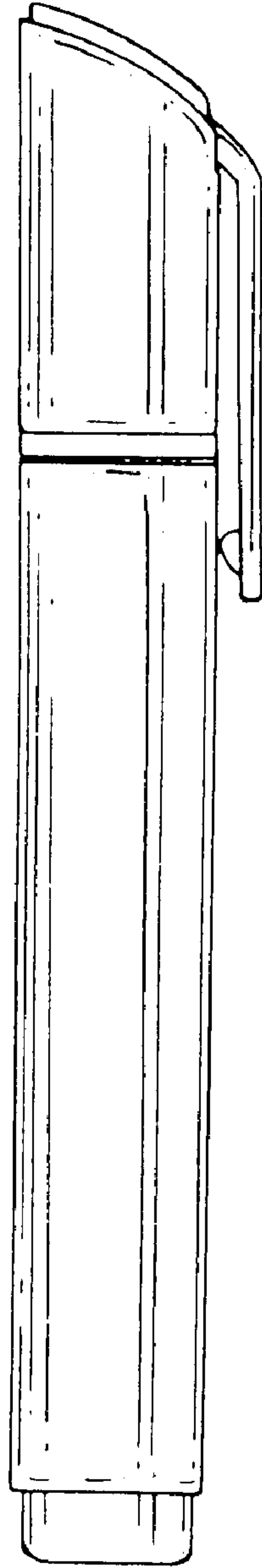


FIG. 4

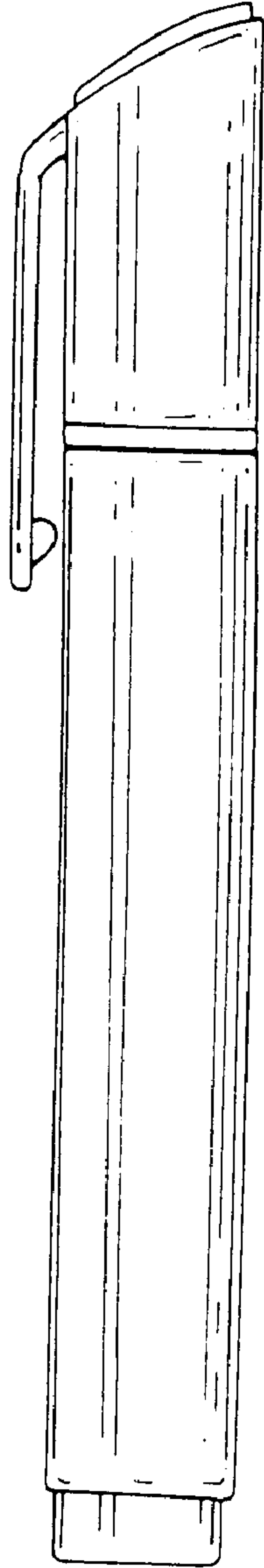


FIG. 5

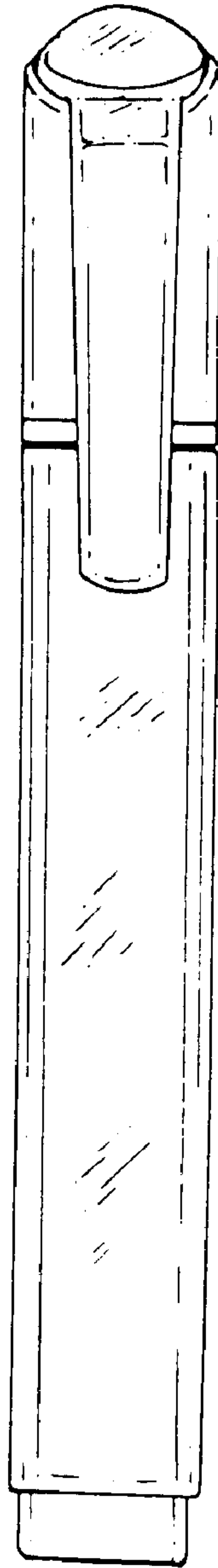


FIG. 6

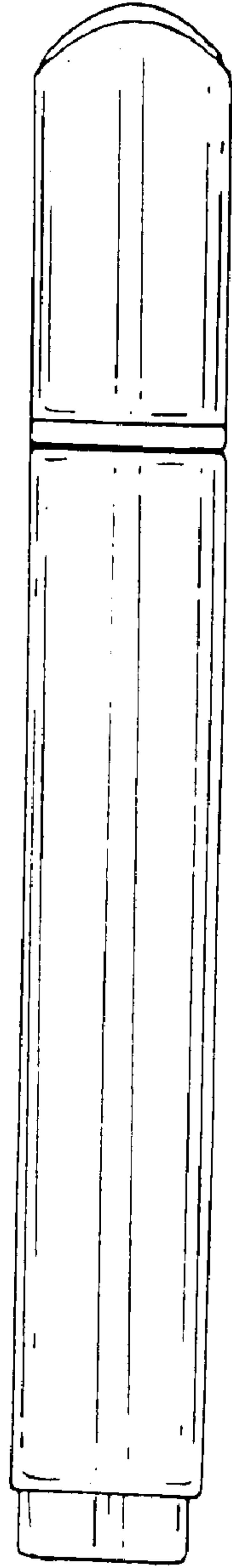


FIG. 7