



US00D482390S

(12) **United States Design Patent**
Ueno et al.

(10) **Patent No.:** **US D482,390 S**

(45) **Date of Patent:** **** Nov. 18, 2003**

(54) **CAP FOR INK BOTTLE**

(74) *Attorney, Agent, or Firm*—Hogan & Hartson L.L.P.

(75) Inventors: **Fumihiko Ueno**, Hachioji (JP); **Noriko Yokoyama**, Hachioji (JP)

(57) **CLAIM**

The ornamental design for an cap for ink bottle, as shown and described.

(73) Assignee: **Olympus Optical Co. Ltd.**, Tokyo (JP)

(**) Term: **14 Years**

DESCRIPTION

(21) Appl. No.: **29/172,800**

FIG. 1 is front, top and left side perspective view of a cap for an ink bottle showing my new design;

(22) Filed: **Dec. 17, 2002**

FIG. 2 is a rear, bottom and right side perspective view thereof;

Related U.S. Application Data

(62) Division of application No. 29/153,895, filed on Jan. 3, 2002.

FIG. 3 is a front elevational view thereof, the rear being a mirror image thereof;

(30) **Foreign Application Priority Data**

Jul. 5, 2001	(JP)	2001-19724
Jul. 5, 2001	(JP)	2001-19725
Jul. 5, 2001	(JP)	2001-19726
Jul. 5, 2001	(JP)	2001-19727

FIG. 4 is a left side elevational view thereof;

FIG. 5 is a right side elevational view thereof;

(51) **LOC (7) Cl.** **18-02**

(52) **U.S. Cl.** **D18/56**

(58) **Field of Search** D18/56, 43; 347/86, 347/87; 399/262; D9/520, 521, 524, 533, 558, 573, 300, 434

FIG. 6 is a top plan view thereof;

FIG. 7 is a bottom plan view thereof; and

FIG. 8 is a cross-sectional view thereof taken on line 8—8 of FIG. 6;

FIG. 9 is another front, top and left side perspective view thereof;

(56) **References Cited**

U.S. PATENT DOCUMENTS

D326,228	S	5/1992	Statford et al.	D9/521
D368,275	S	* 3/1996	Sakurai et al.	D18/56
D408,445	S	4/1999	Schwallie et al.	D18/43
D408,846	S	4/1999	Schwallie et al.	D18/43
D417,233	S	* 11/1999	Sabonis	D18/56
D424,611	S	5/2000	Gasvoda et al.	D18/56
D425,554	S	5/2000	Gasvoda et al.	D18/56
6,164,743	A	12/2000	Hmelar et al.	347/86
6,296,353	B1	* 10/2001	Thielman et al.	347/86
6,550,894	B2	* 4/2003	Ueno et al.	347/86

FIG. 10 is a rear, bottom and right side perspective view of FIG. 9;

FIG. 11 is a front elevational view of FIG. 9; the rear being a mirror image;

FIG. 12 is a left side elevational view of FIG. 9;

FIG. 13 is a right side elevational view of FIG. 9;

FIG. 14 is a top plan view of FIG. 9;

FIG. 15 is a bottom plan view of FIG. 9; and,

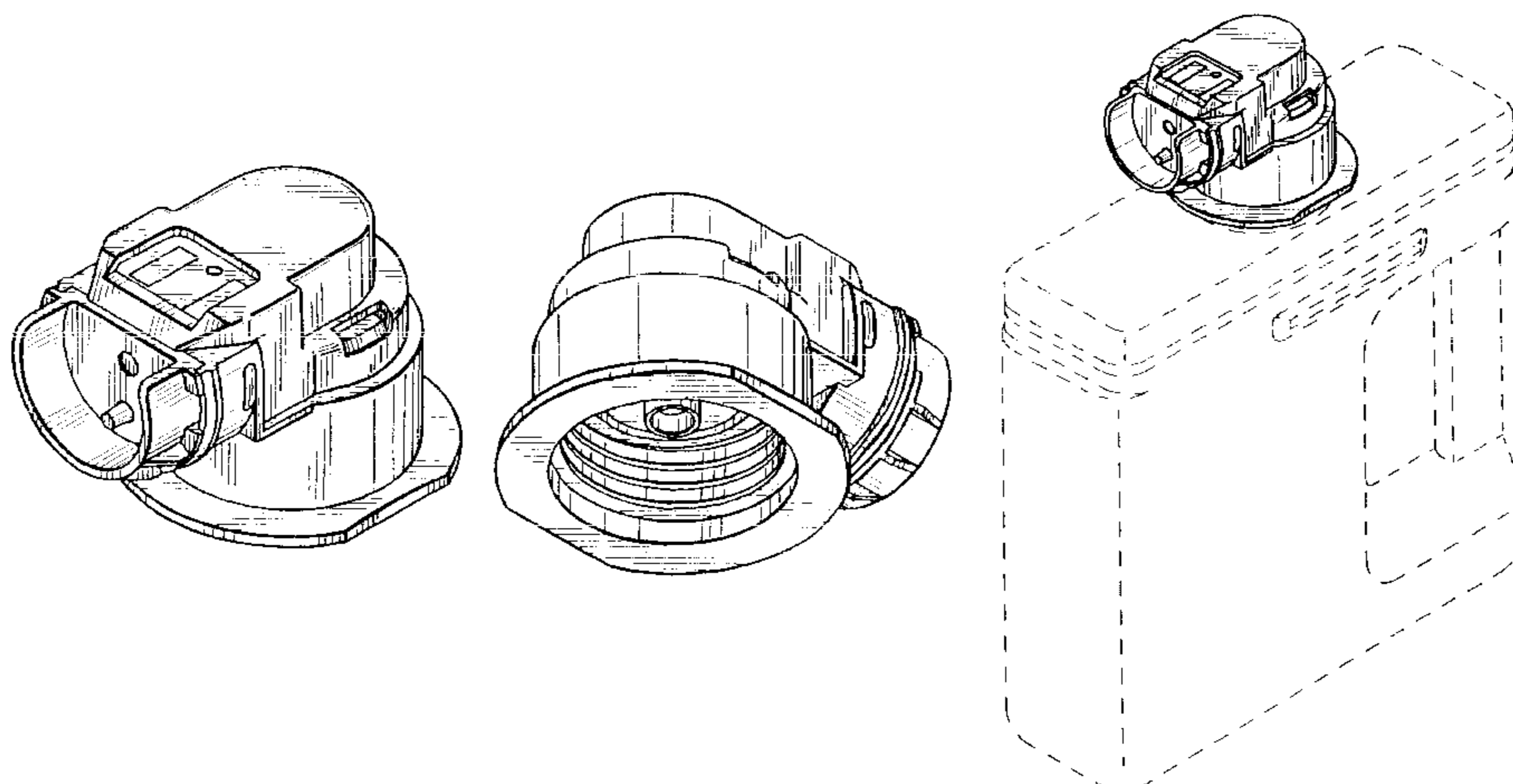
FIG. 16 is a cross-sectional view of FIG. 9 taken along line 16—16 of FIG. 14.

The broken lines are for illustrative only and form no part of the claimed design.

* cited by examiner

Primary Examiner—Cathy Anne MacCormac

1 Claim, 6 Drawing Sheets



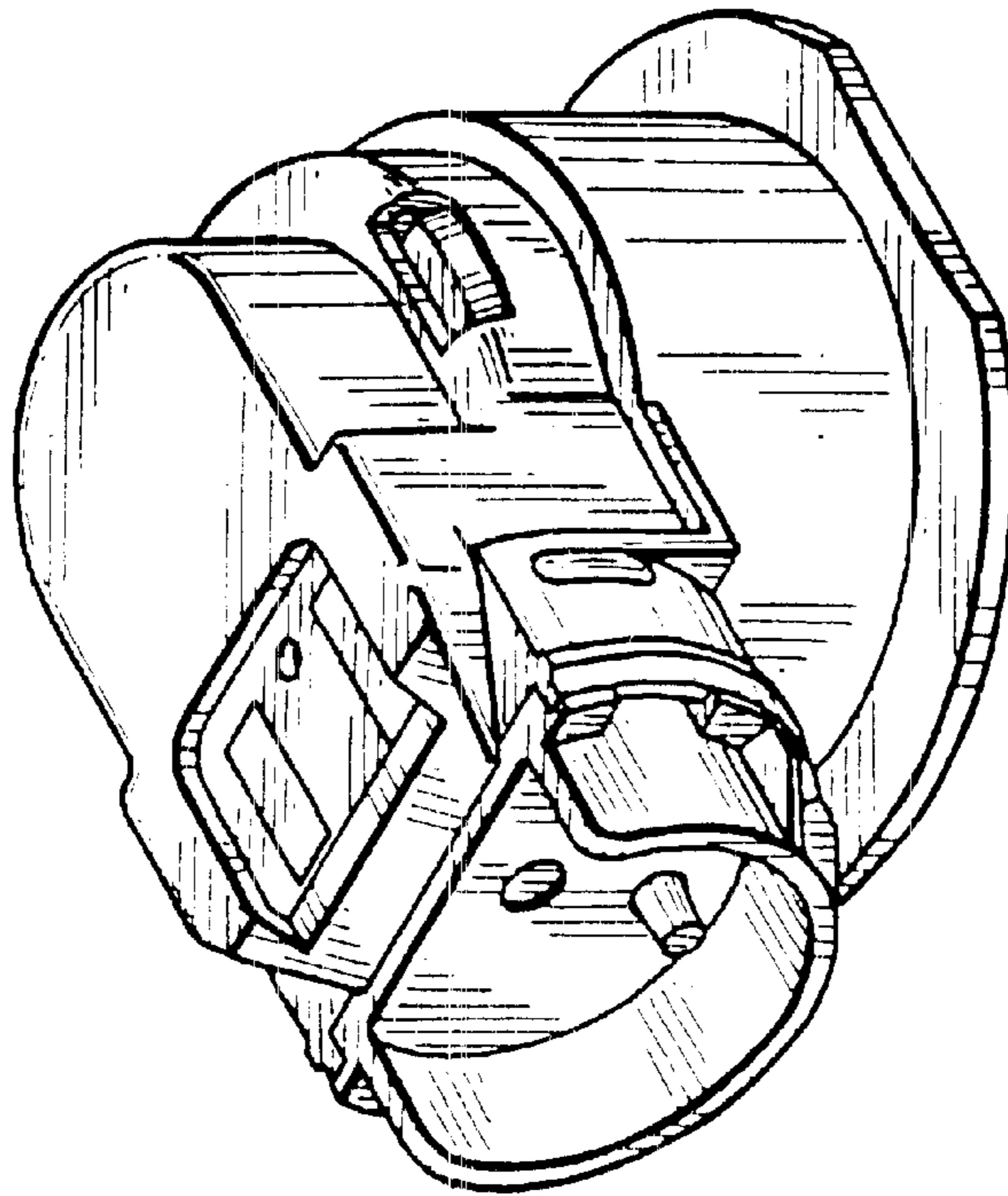


FIG. 1

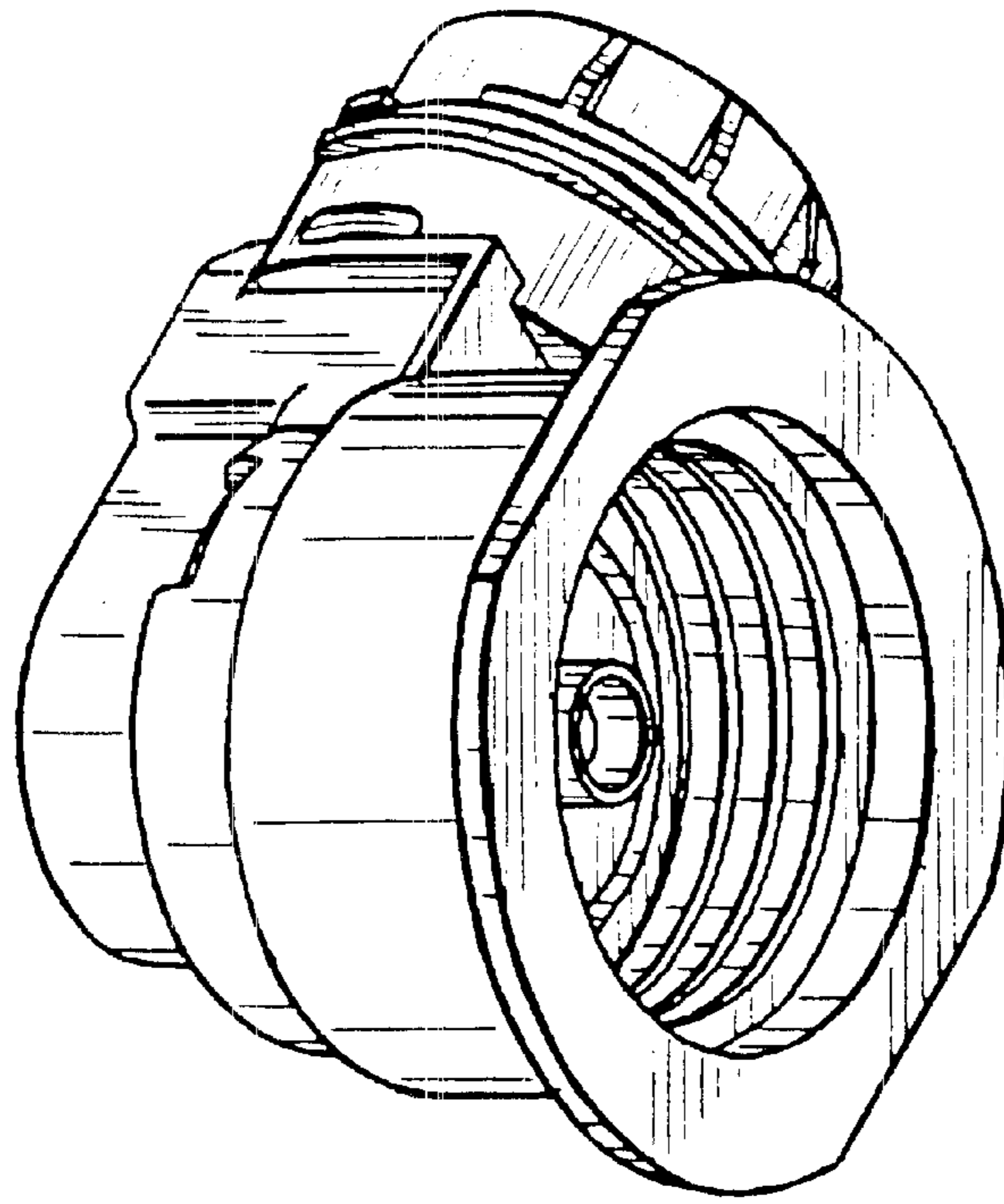


FIG. 2

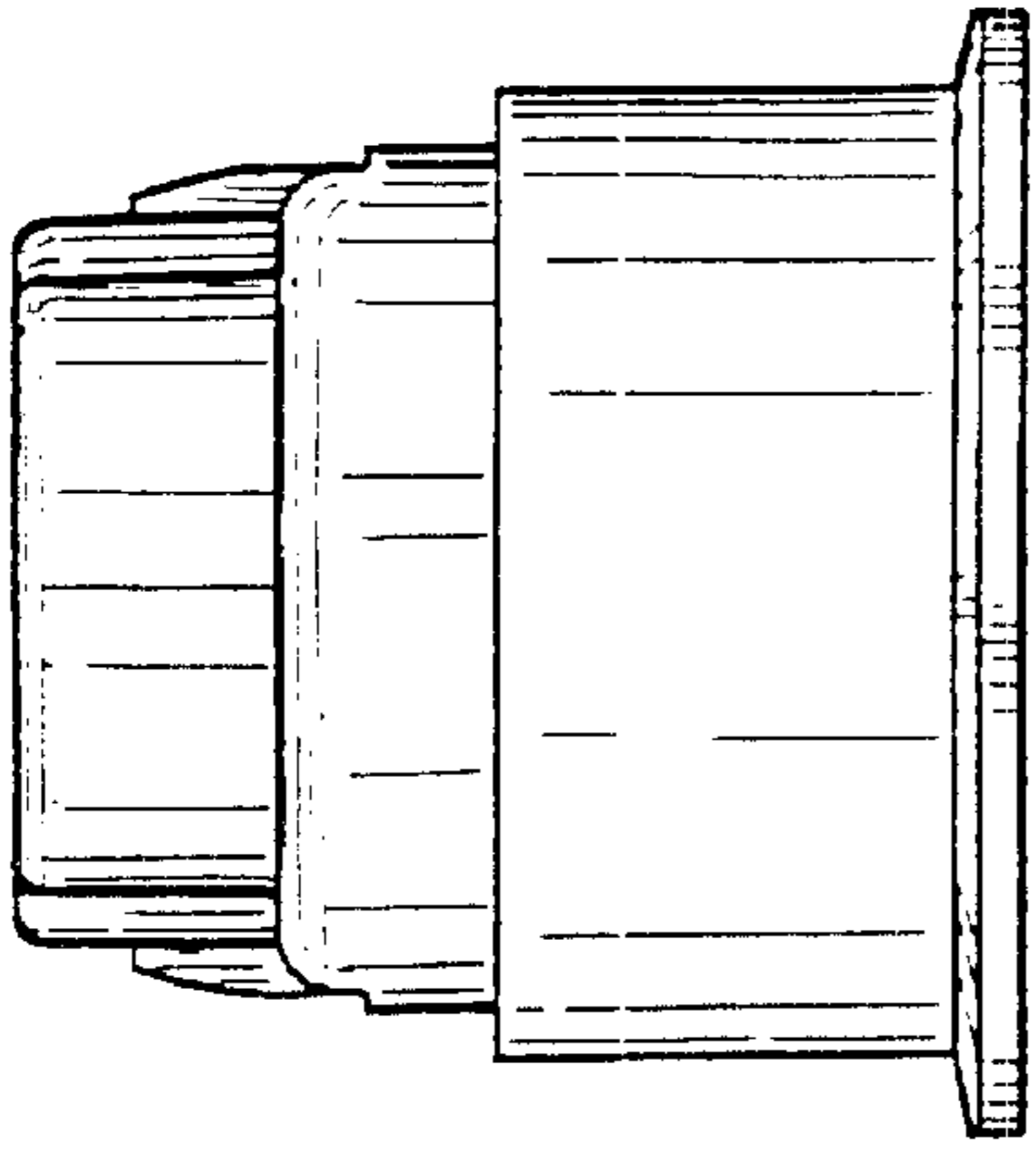


FIG. 5

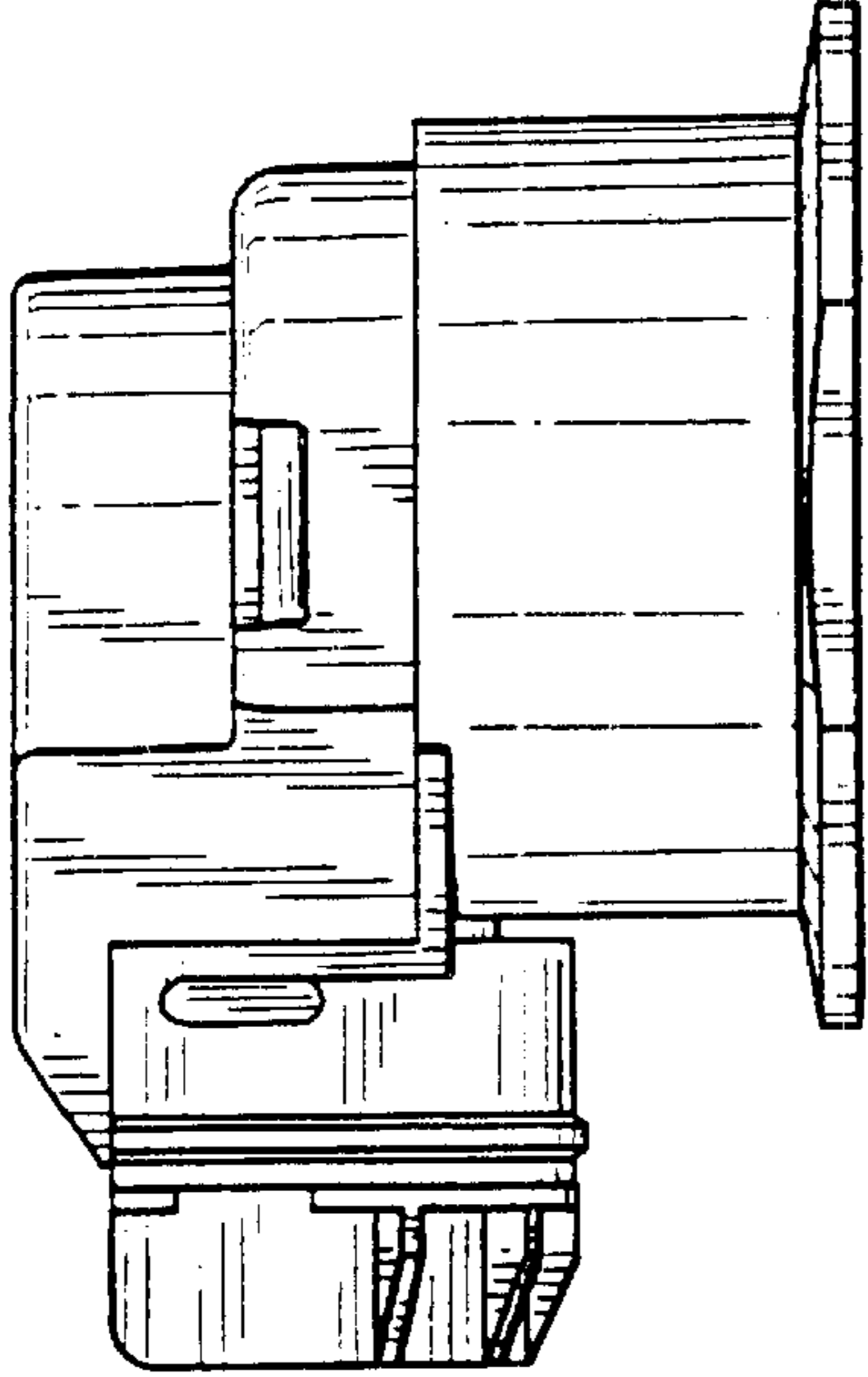


FIG. 3

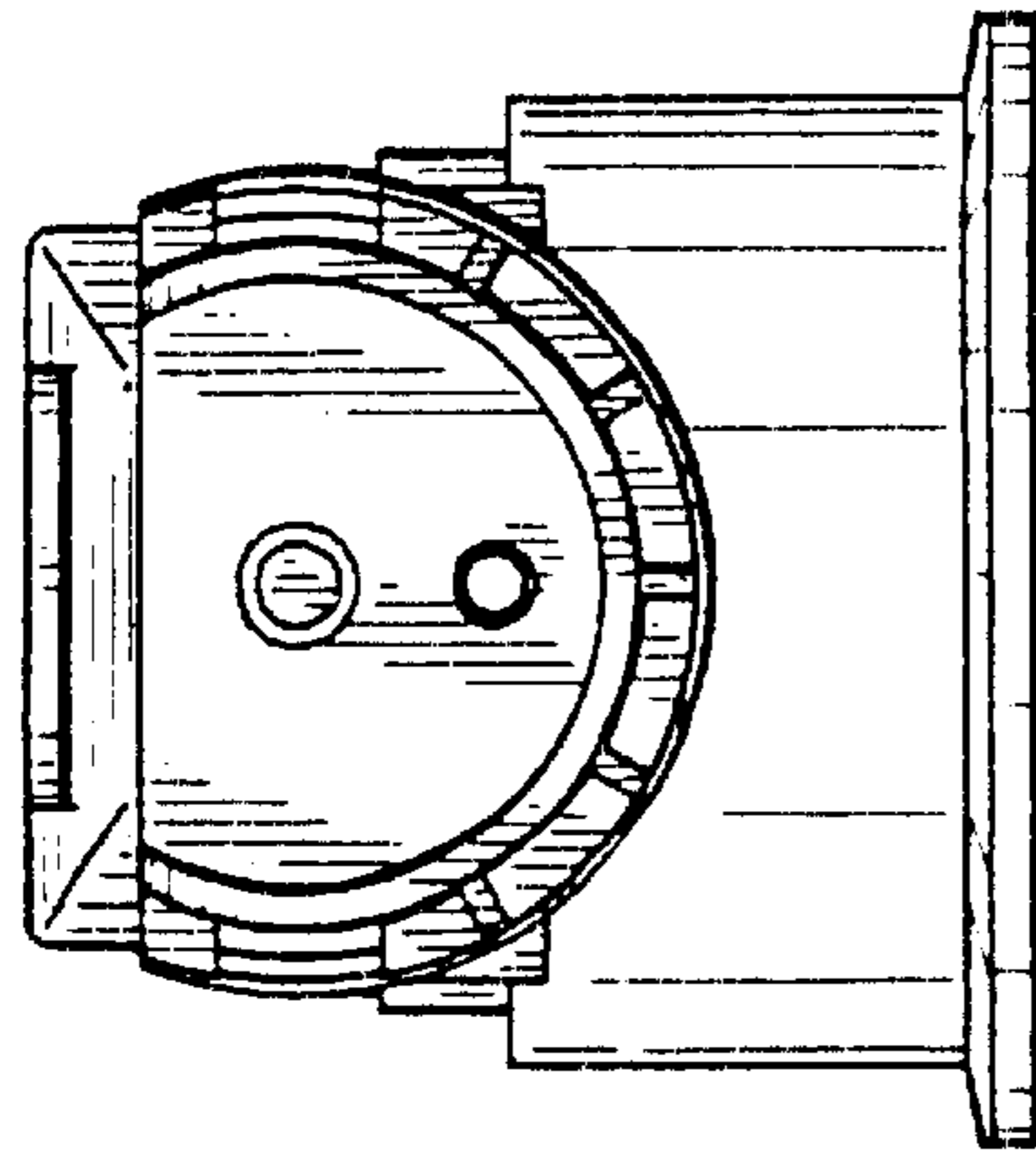


FIG. 4

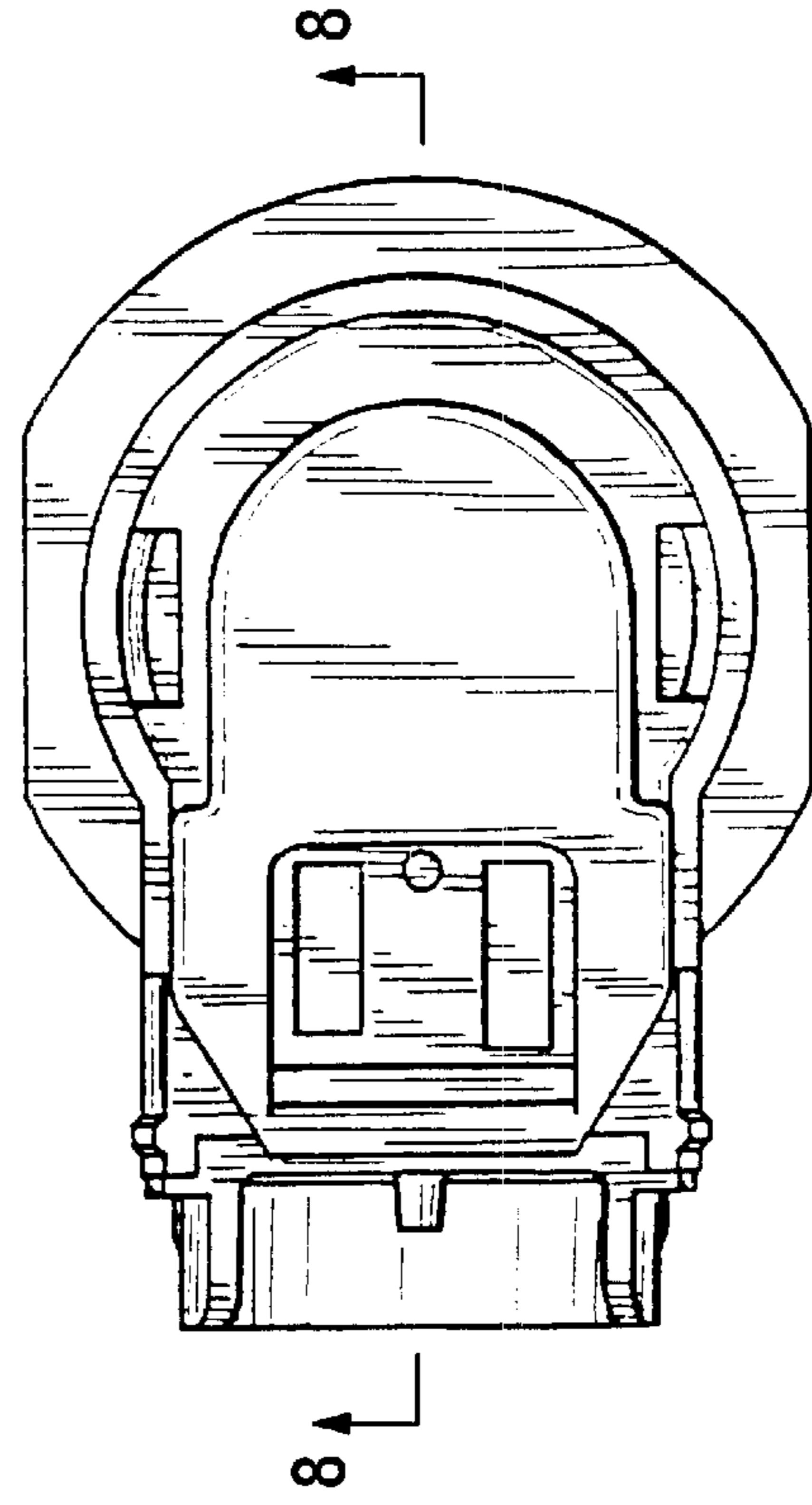


FIG. 6

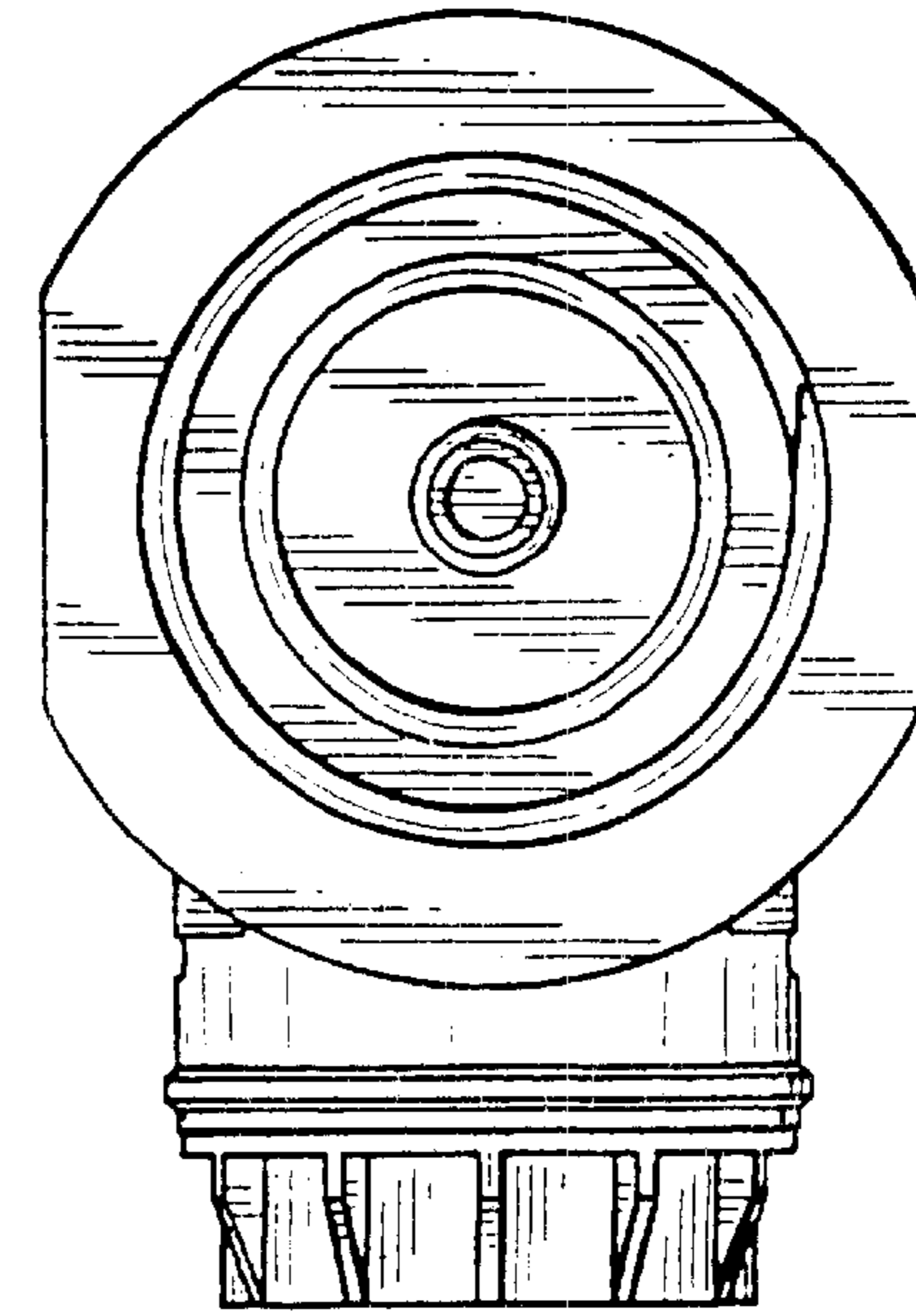


FIG. 7

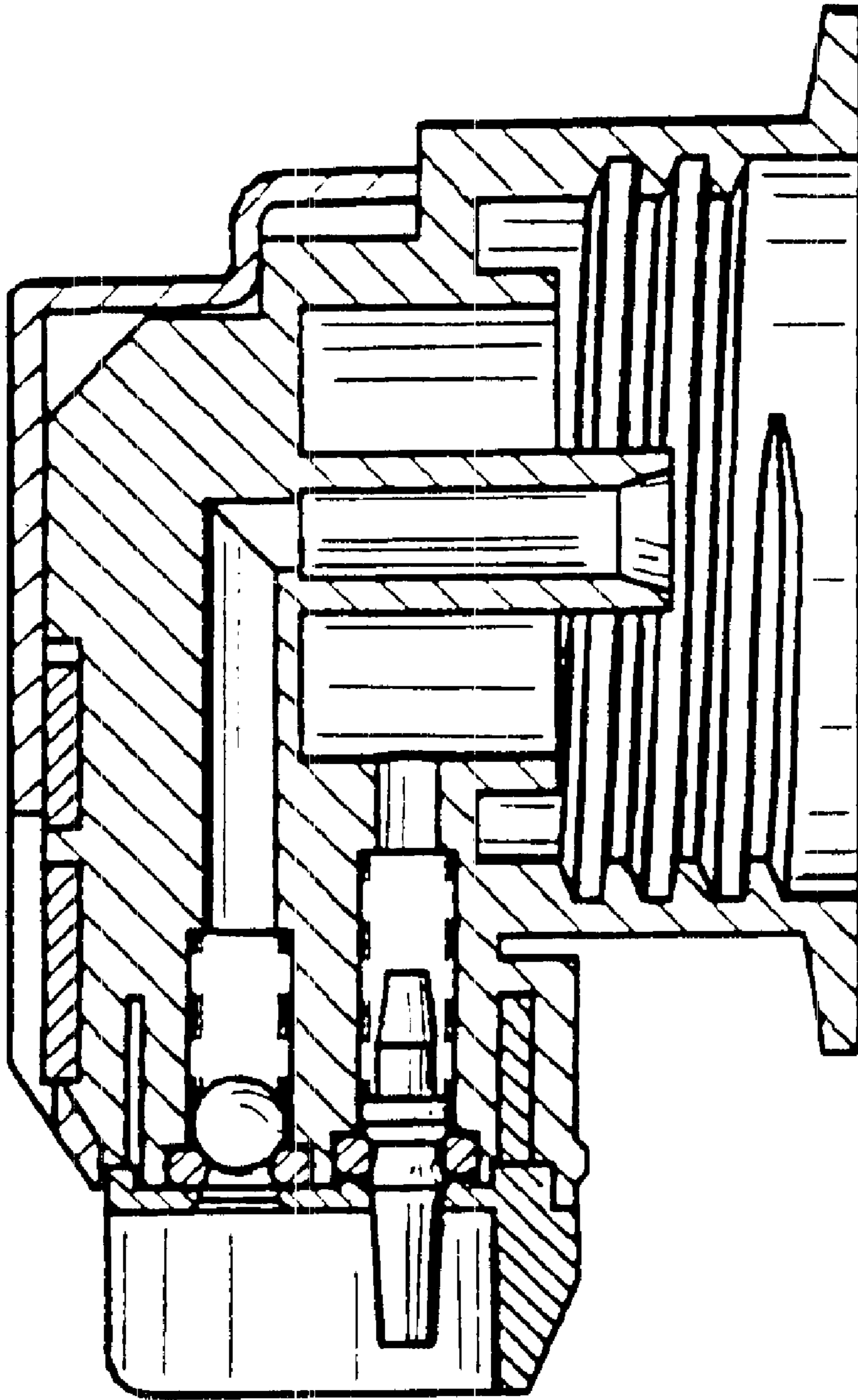


FIG. 8

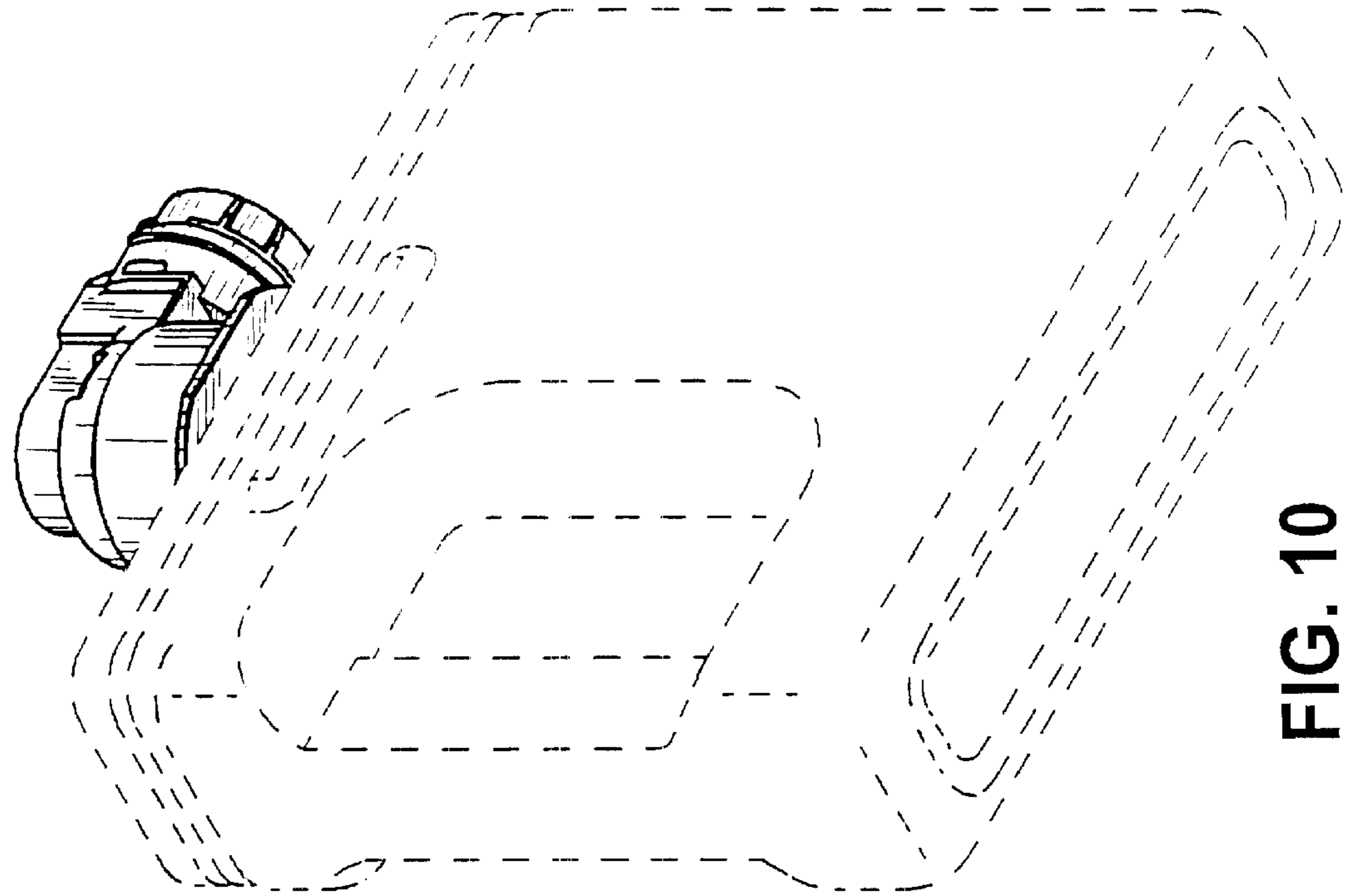


FIG. 9

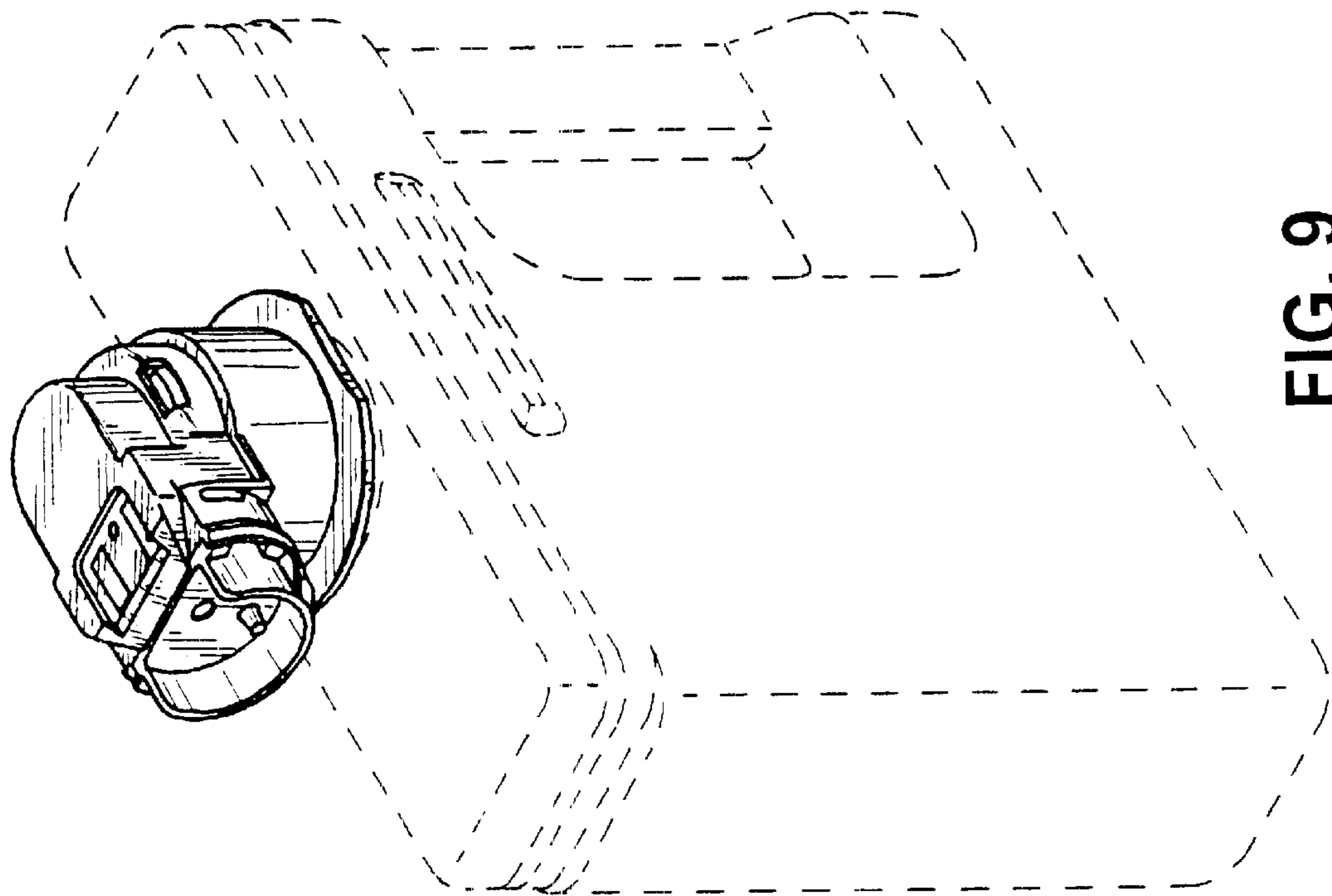


FIG. 10

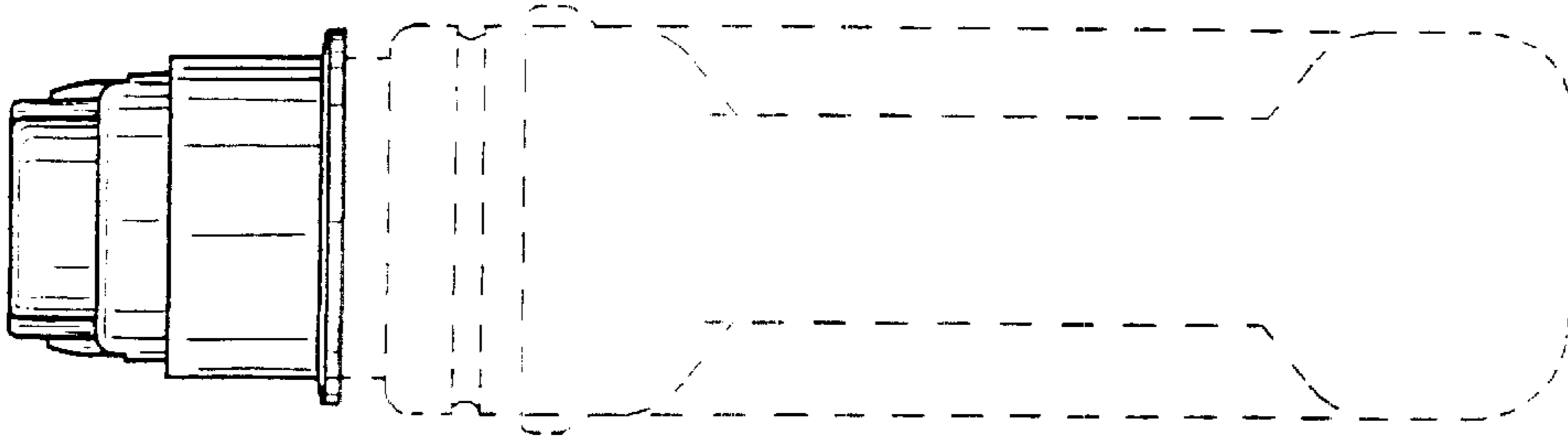


FIG. 13

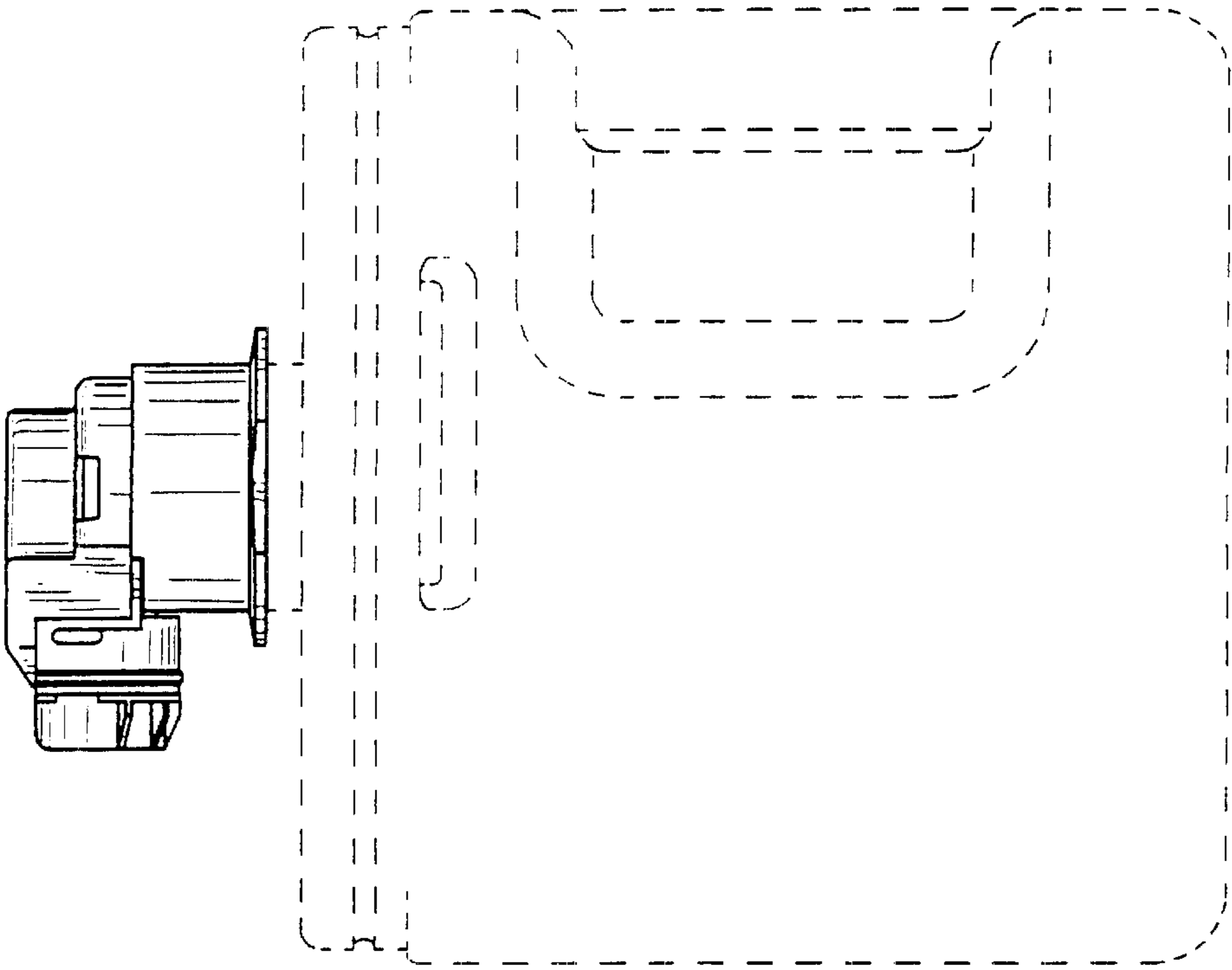


FIG. 11

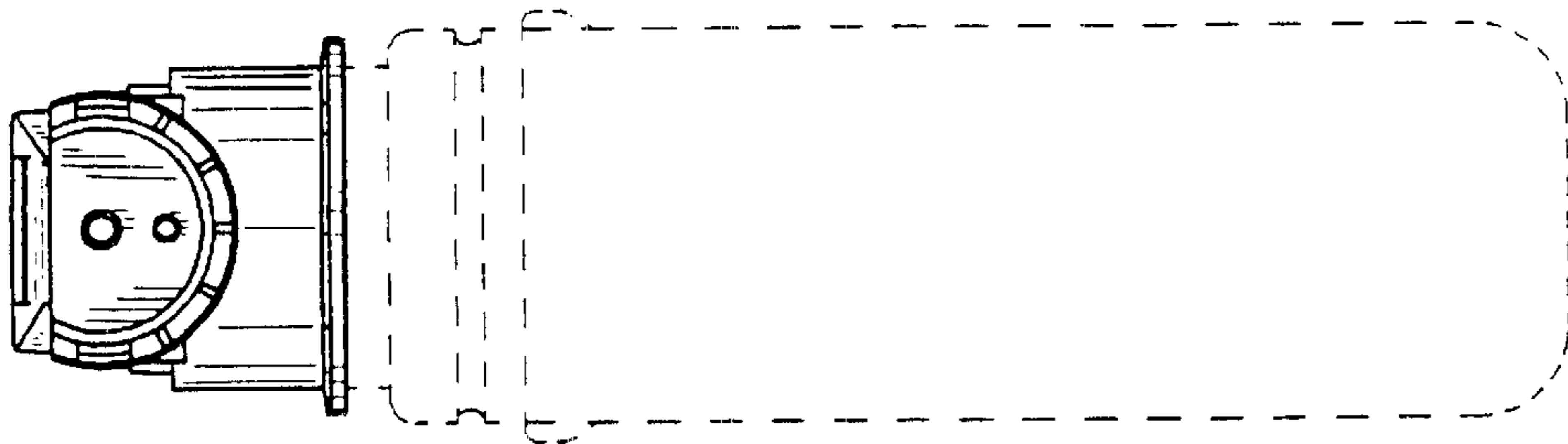


FIG. 12

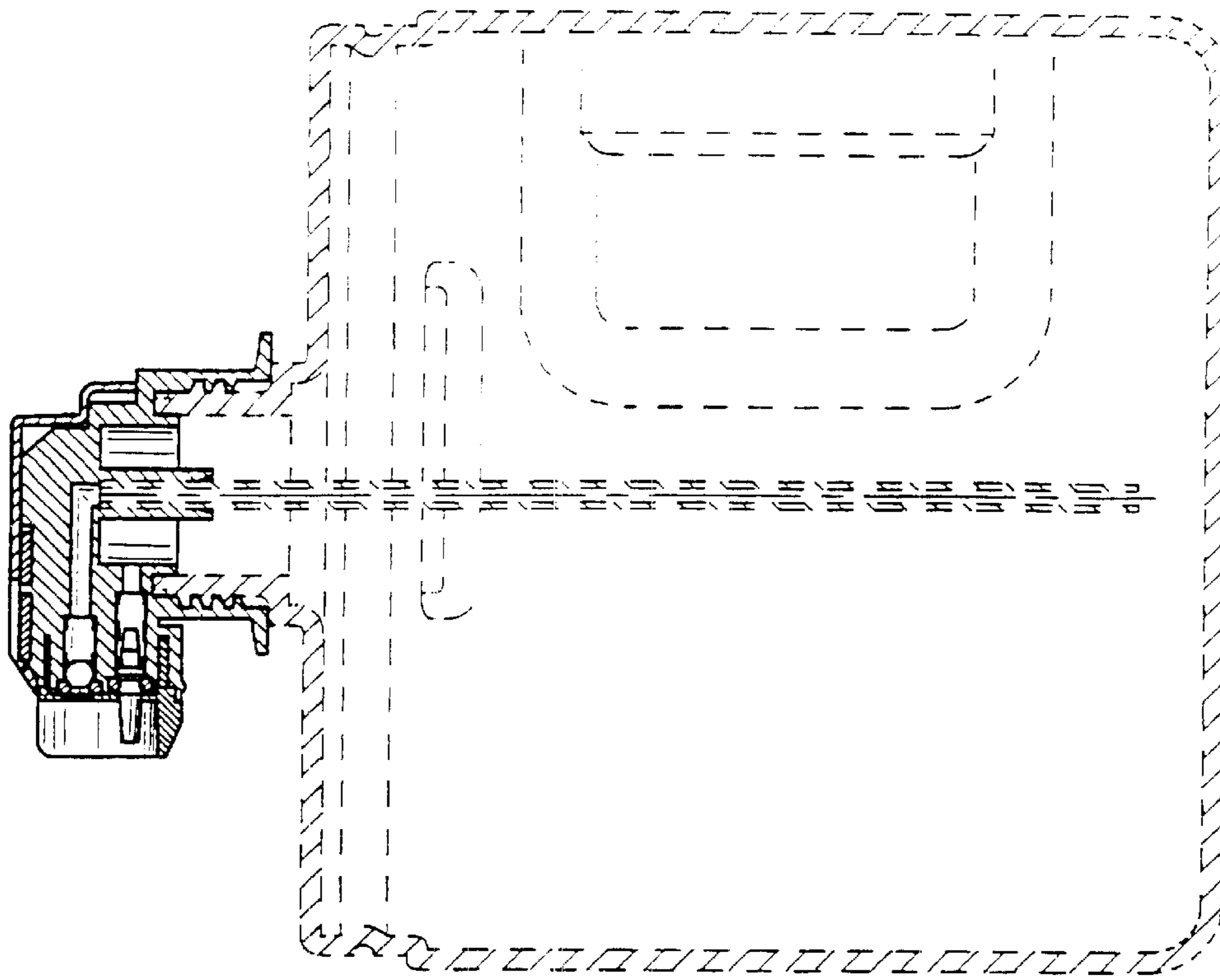


FIG. 16

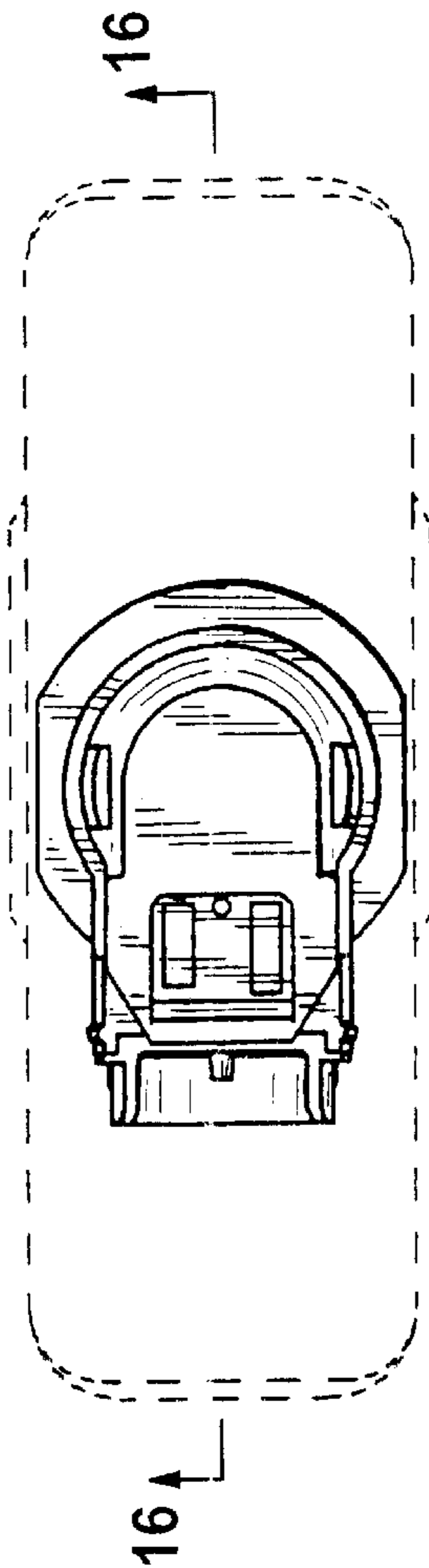


FIG. 14

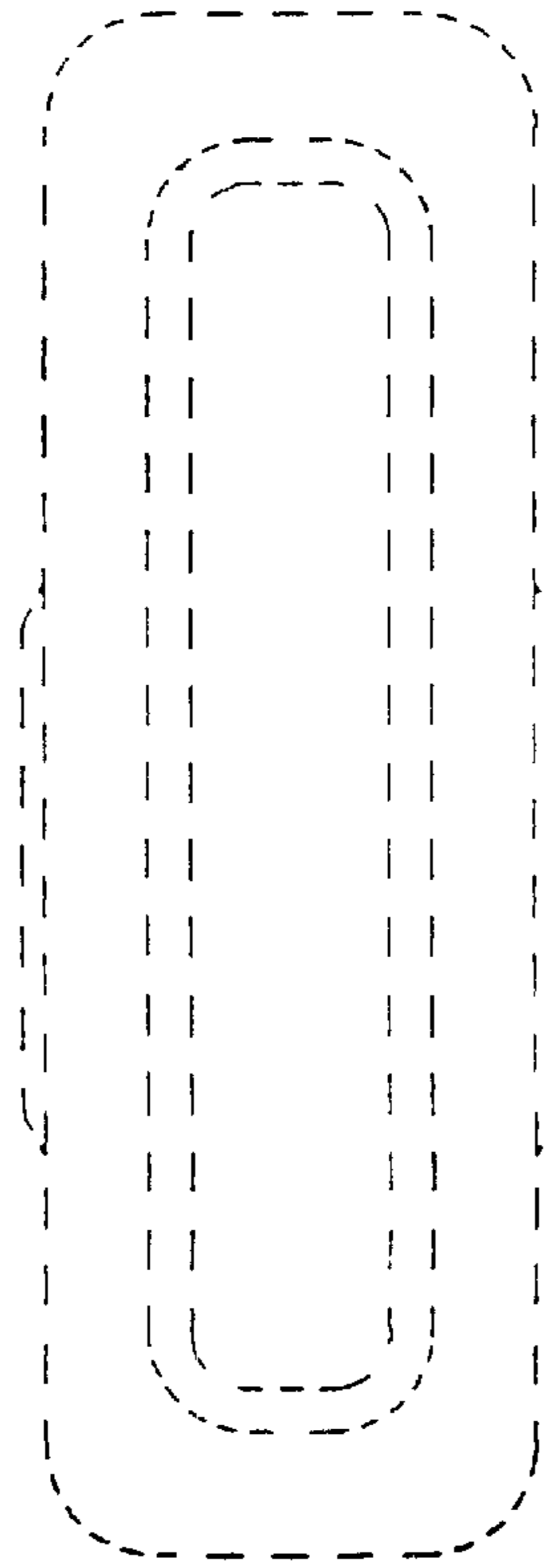


FIG. 15