



US00D482387S

(12) **United States Design Patent**
Tatara et al.

(10) **Patent No.:** **US D482,387 S**

(45) **Date of Patent:** **** Nov. 18, 2003**

(54) **PRINTER**

(75) Inventors: **Yoshihiro Tatara**, Nagano-ken (JP);
Mikinobu Abe, Nagano-ken (JP);
Tokujiro Okuno, Nagano-ken (JP)

(73) Assignee: **Seiko Epson Corporation**, Tokyo (JP)

(**) Term: **14 Years**

(21) Appl. No.: **29/145,417**

(22) Filed: **Jul. 24, 2001**

(30) **Foreign Application Priority Data**

Jan. 24, 2001 (JP) 2001-001367

(51) **LOC (7) Cl.** **14-02**

(52) **U.S. Cl.** **D18/55**

(58) **Field of Search** D18/36, 37, 50,
D18/54-55; 400/613, 613.1-613.4, 691-694,
690.1-690.4

(56) **References Cited**

U.S. PATENT DOCUMENTS

- D382,256 S * 8/1997 Lin D18/50
- D390,597 S * 2/1998 Igarashi et al. D18/55
- D412,013 S * 7/1999 Karten et al. D18/50
- D439,608 S * 3/2001 Gassett et al. D18/55
- D441,012 S * 4/2001 Kawahara et al. D18/55

- D441,783 S * 5/2001 Kawahara et al. D18/55
- D442,218 S * 5/2001 Kobayashi et al. D18/55
- D452,706 S * 1/2002 Senshiki D18/55
- D453,352 S * 2/2002 Yamano et al. D18/55

FOREIGN PATENT DOCUMENTS

JP 2000-36518 12/2001

* cited by examiner

Primary Examiner—Cathy Anne MacCormac

(74) *Attorney, Agent, or Firm*—Sughrue Mion, PLLC

(57) **CLAIM**

The ornamental design for a printer, as shown and described.

DESCRIPTION

FIG. 1 is a perspective view of the top, front, and right side of a printer showing our new design;
 FIG. 2 is a front elevational view thereof;
 FIG. 3 is a top plan view thereof;
 FIG. 4 is a left side elevational view thereof;
 FIG. 5 is a right side elevational view thereof;
 FIG. 6 is a rear elevational view thereof;
 FIG. 7 is a bottom plan view thereof; and,
 FIG. 8 is another perspective view similar to FIG. 1 showing the exhaust tray in opened position.
 The broken lines are for purposes of illustration only and form no part of the claimed design.

1 Claim, 7 Drawing Sheets

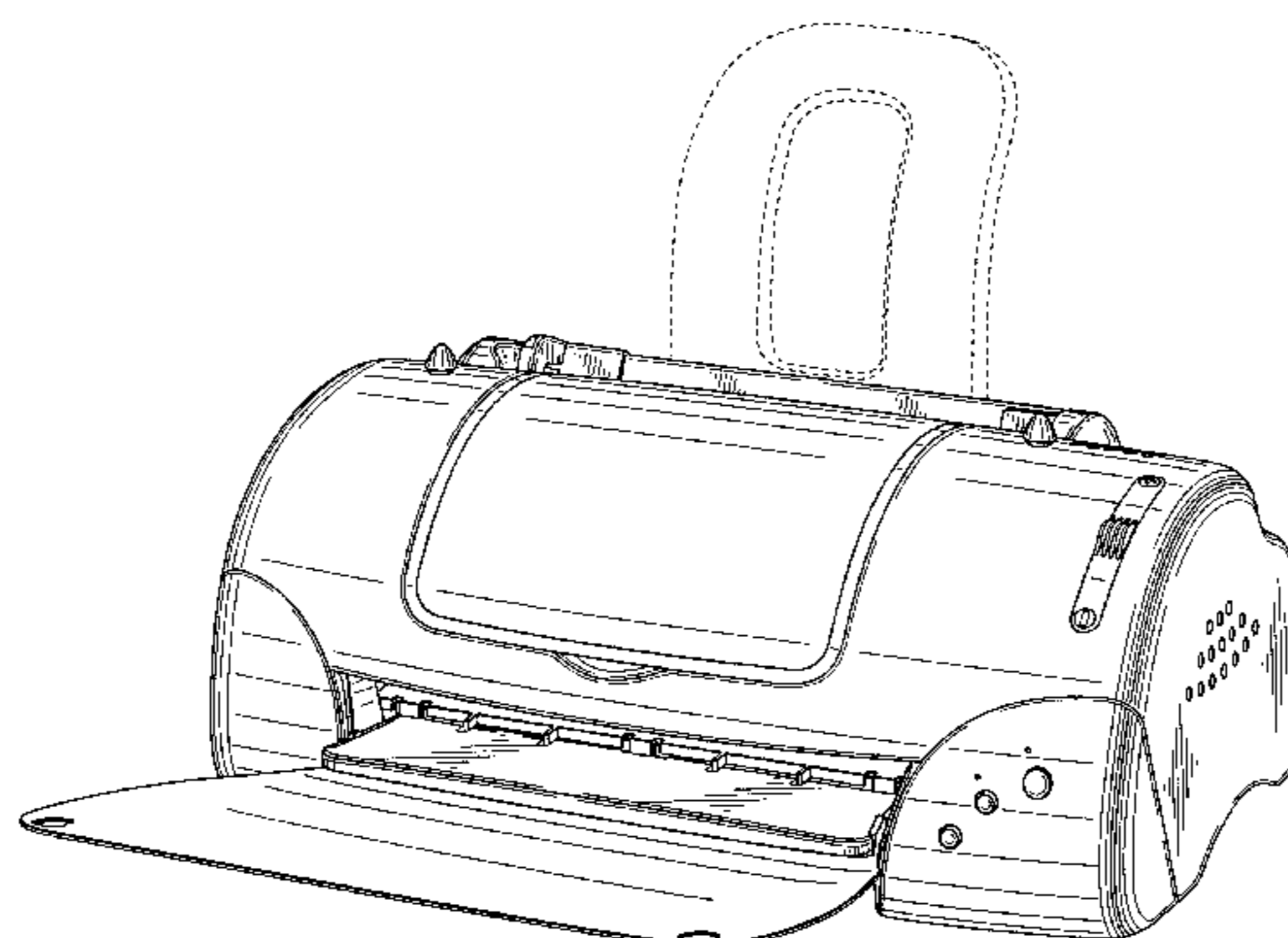
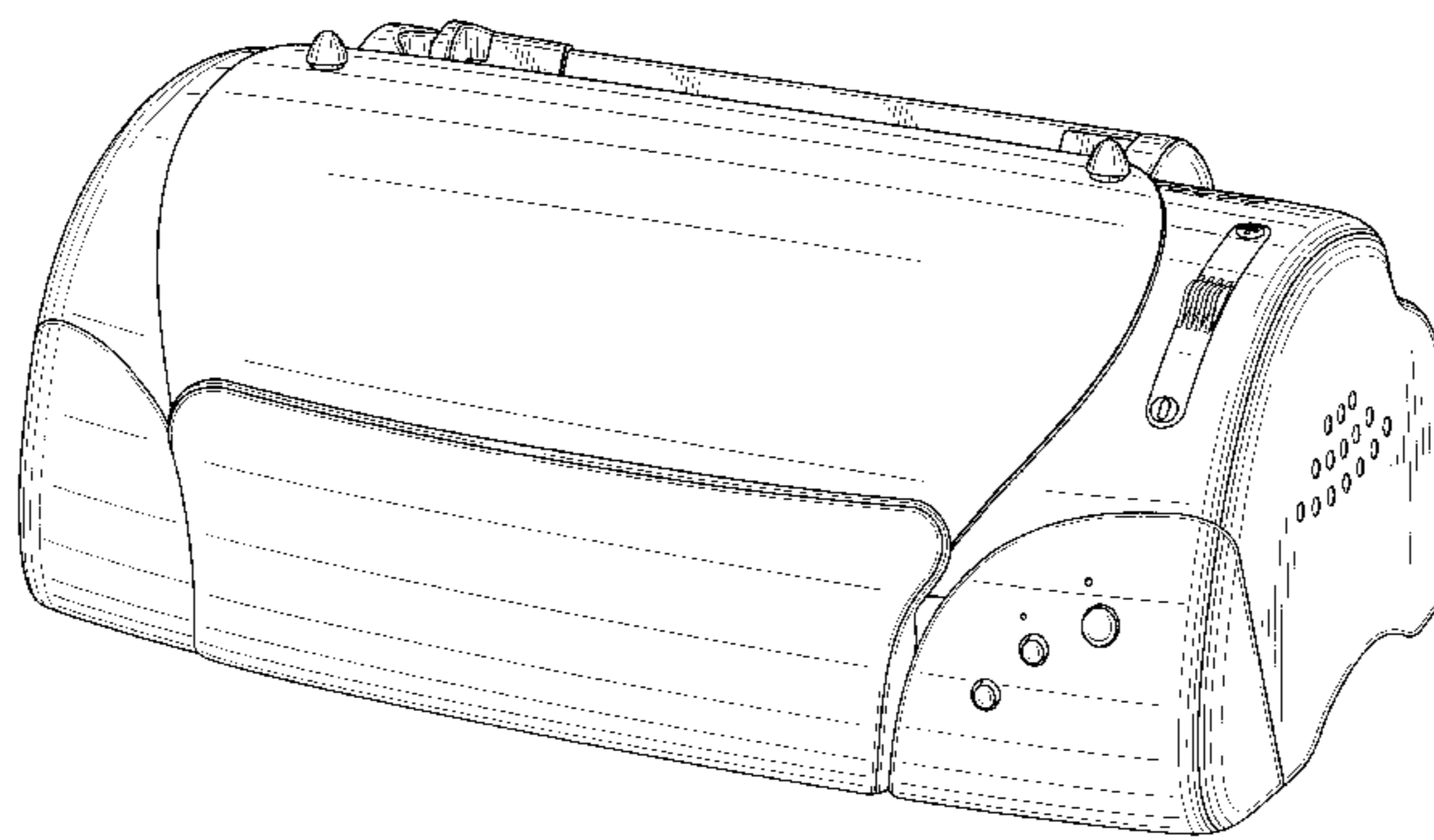


FIG. 1

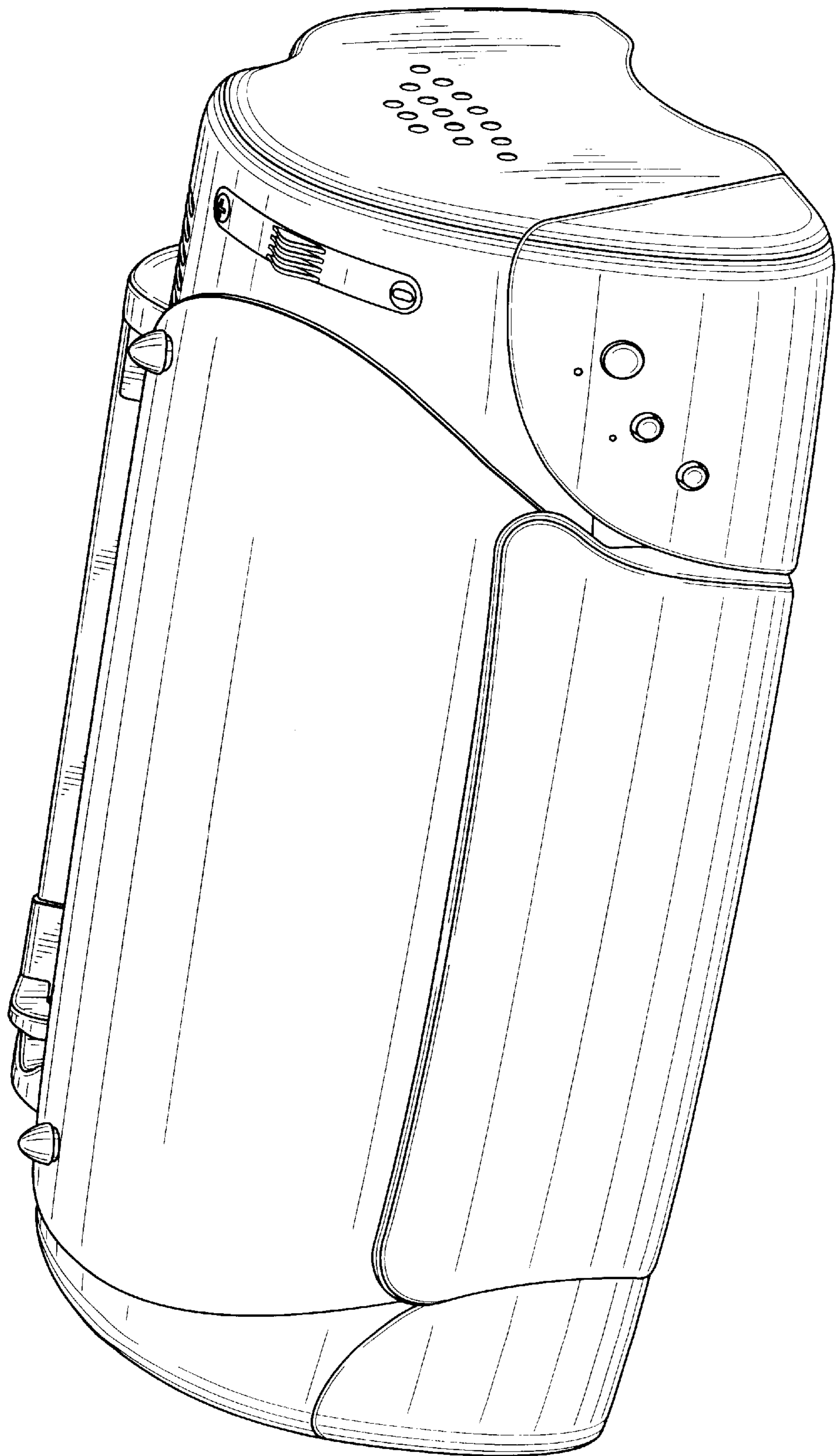


FIG. 2

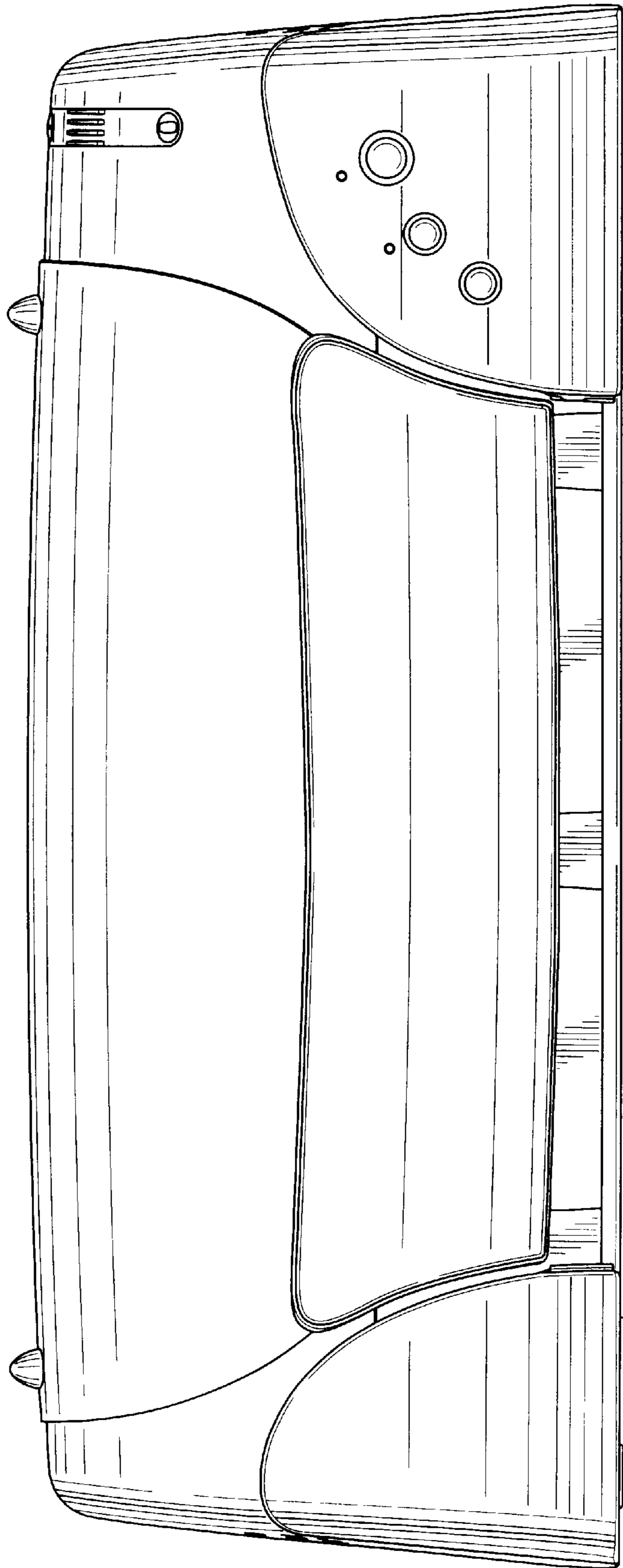


FIG. 3



FIG. 4

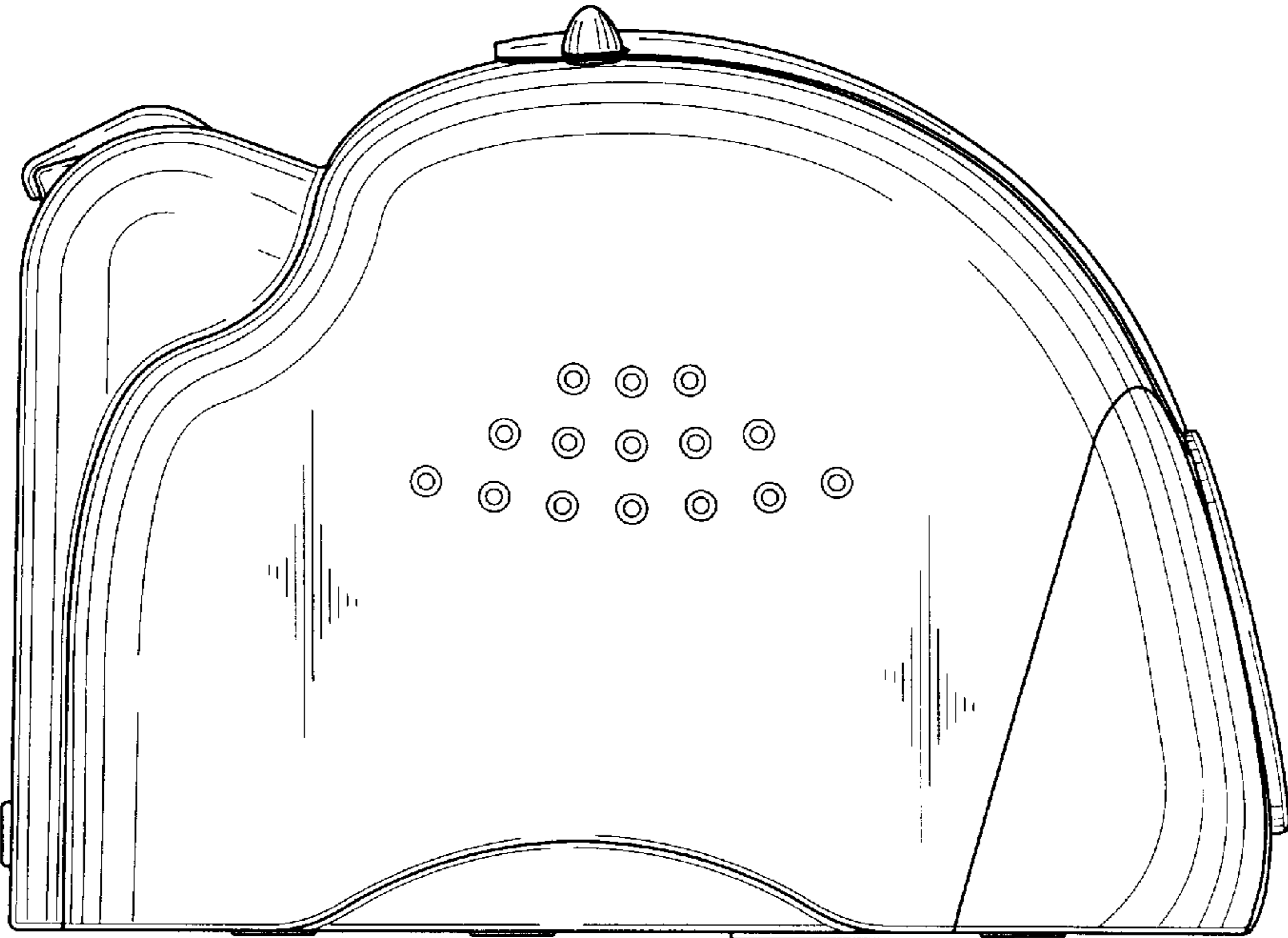


FIG. 5

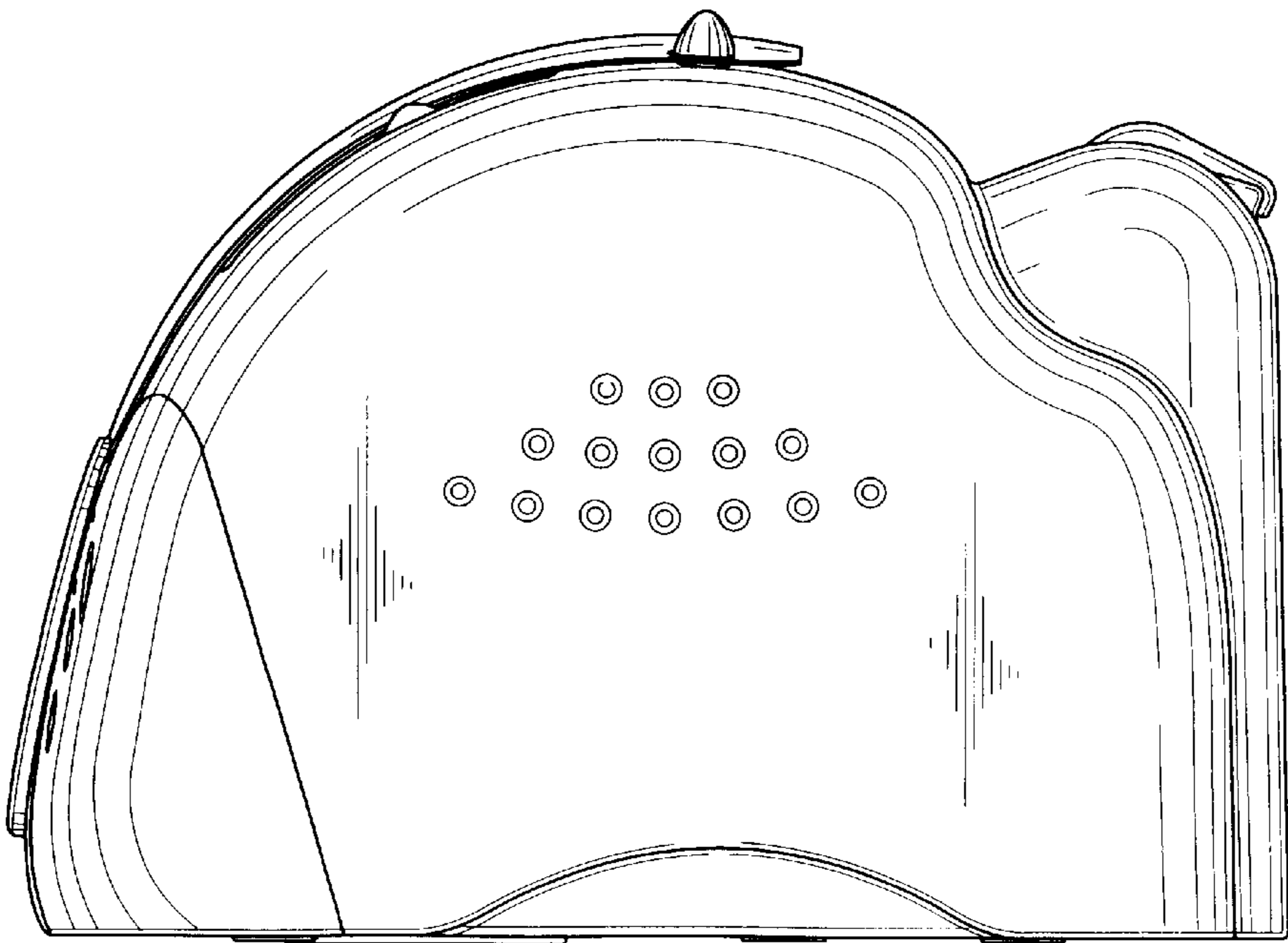


FIG. 6

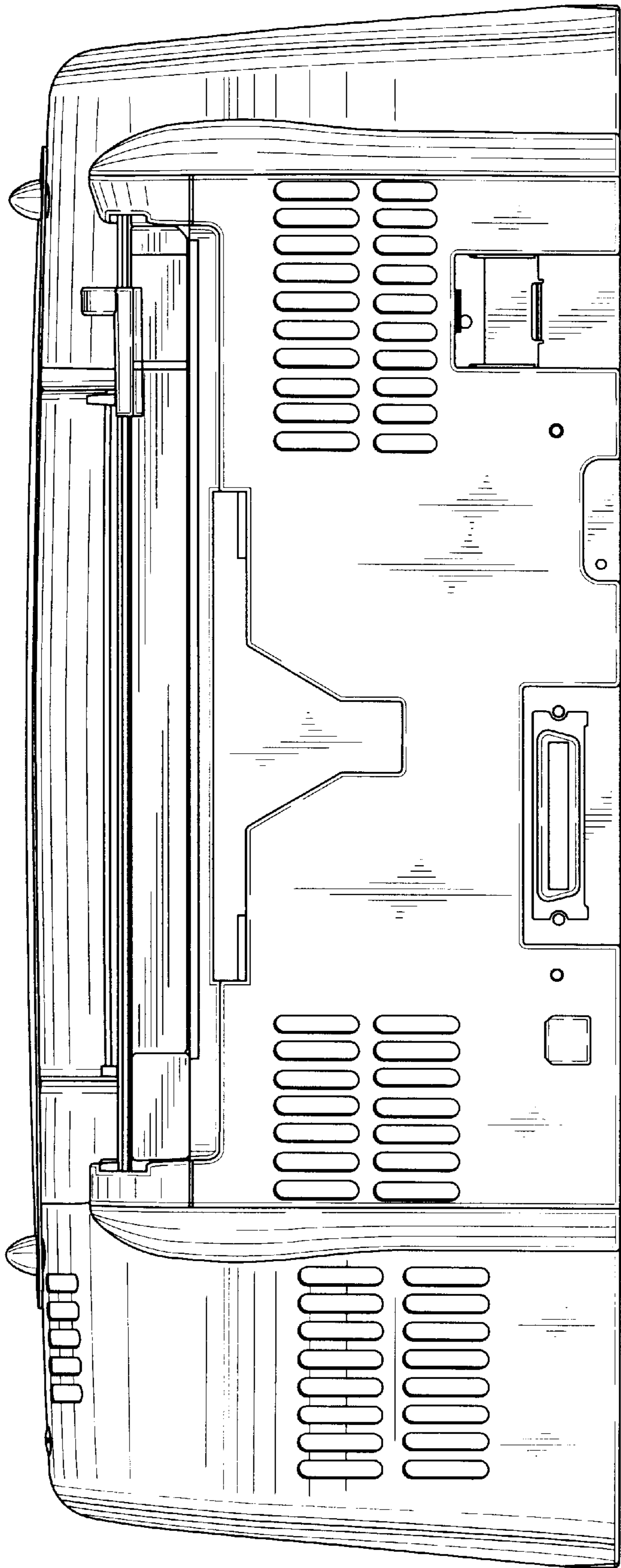
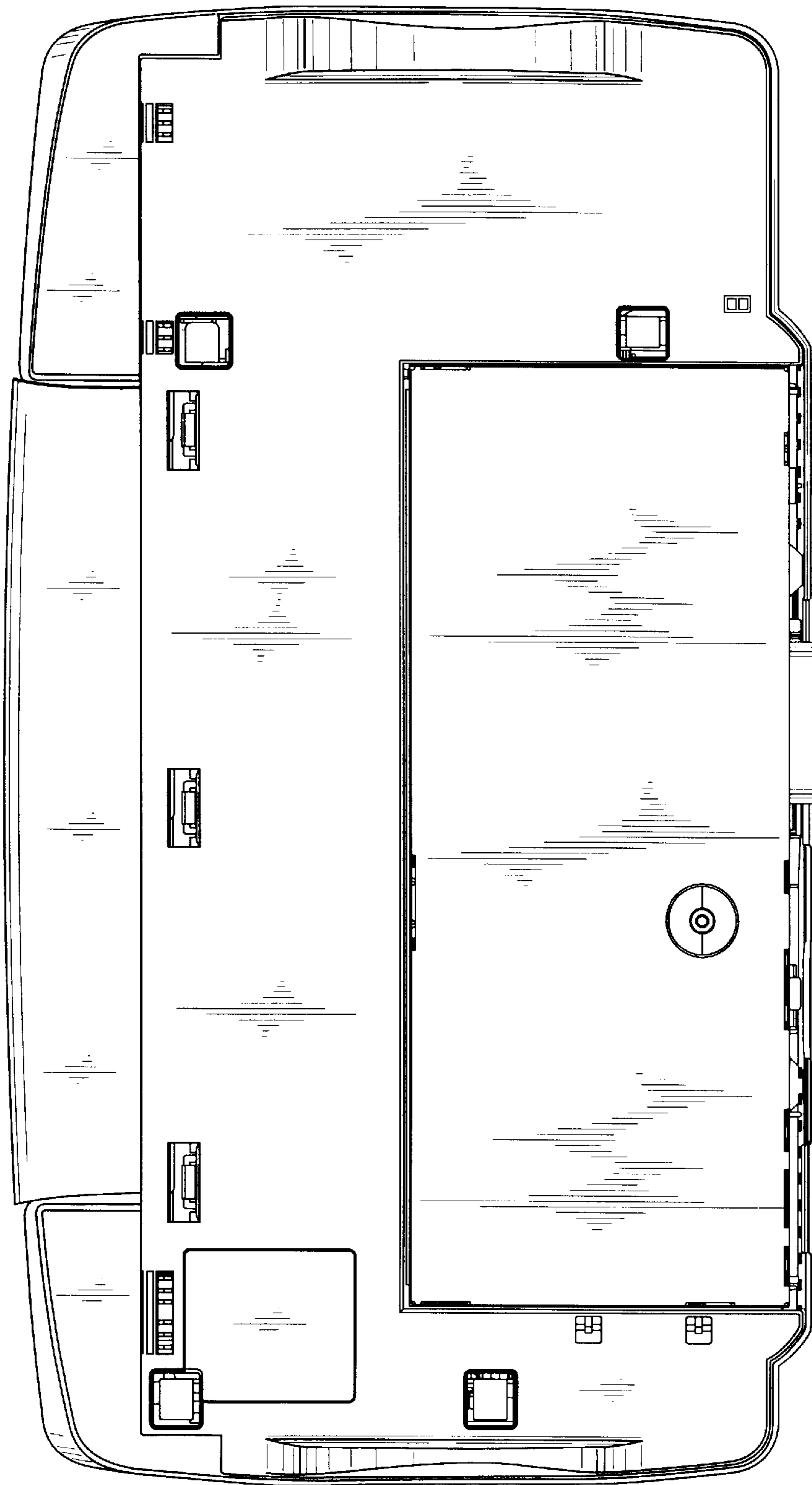


FIG. 7



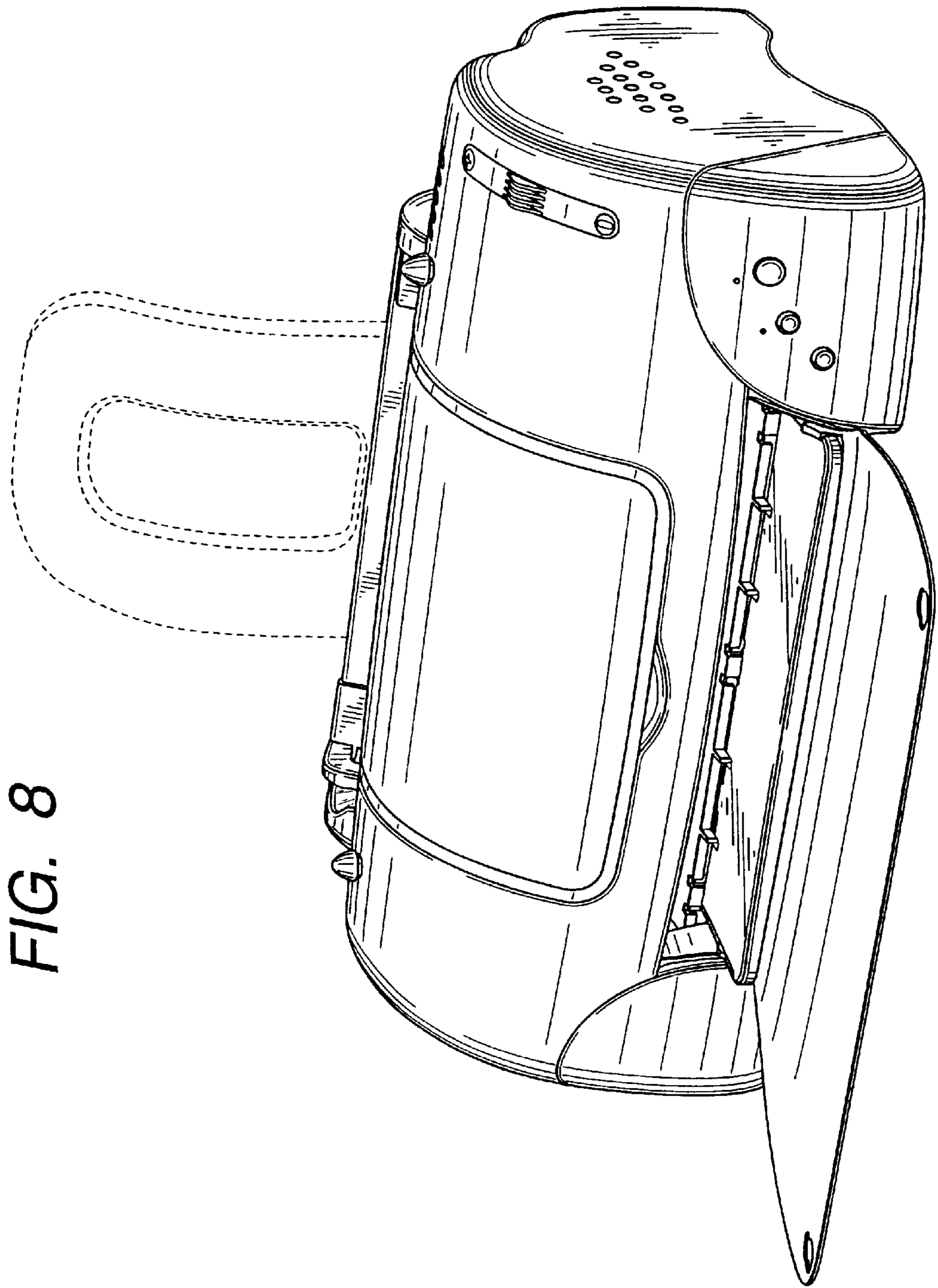


FIG. 8