



US00D482386S

(12) **United States Design Patent**
Hattori

(10) **Patent No.:** **US D482,386 S**

(45) **Date of Patent:** **** Nov. 18, 2003**

(54) **PRINTER WITH COPYING, SCANNING AND FACSIMILE FUNCTIONS**

(75) Inventor: **Mitsuharu Hattori**, Nagoya (JP)

(73) Assignee: **Brother Industries, Limited**, Nagoya (JP)

(**) Term: **14 Years**

(21) Appl. No.: **29/163,448**

(22) Filed: **Jul. 8, 2002**

(30) **Foreign Application Priority Data**

Jan. 7, 2002 (JP) 2002-000092

(51) **LOC (7) Cl.** **18-02**

(52) **U.S. Cl.** **D18/50**

(58) **Field of Search** D14/420-430,
D14/462-470; D18/19, 36-39, 50, 53, 54-55;
400/613, 613.1-613.4, 691-694, 690.1-690.4,
625

(56) **References Cited**

U.S. PATENT DOCUMENTS

D285,566 S * 9/1986 Hayashi D18/54
D287,497 S * 12/1986 Goodner et al. D18/55

D315,338 S * 3/1991 Yoshihara D14/464
D348,899 S * 7/1994 Masujima et al. D18/55
D358,603 S * 5/1995 Dodge et al. D18/55
D358,826 S * 5/1995 Kuhns D18/50
D381,678 S * 7/1997 Nakamura D18/50

* cited by examiner

Primary Examiner—Cathy Anne MacCormac

(74) *Attorney, Agent, or Firm*—Oliff & Berridge, PLC

(57) **CLAIM**

The ornamental design for a printer with copying, scanning and facsimile functions, as shown and described.

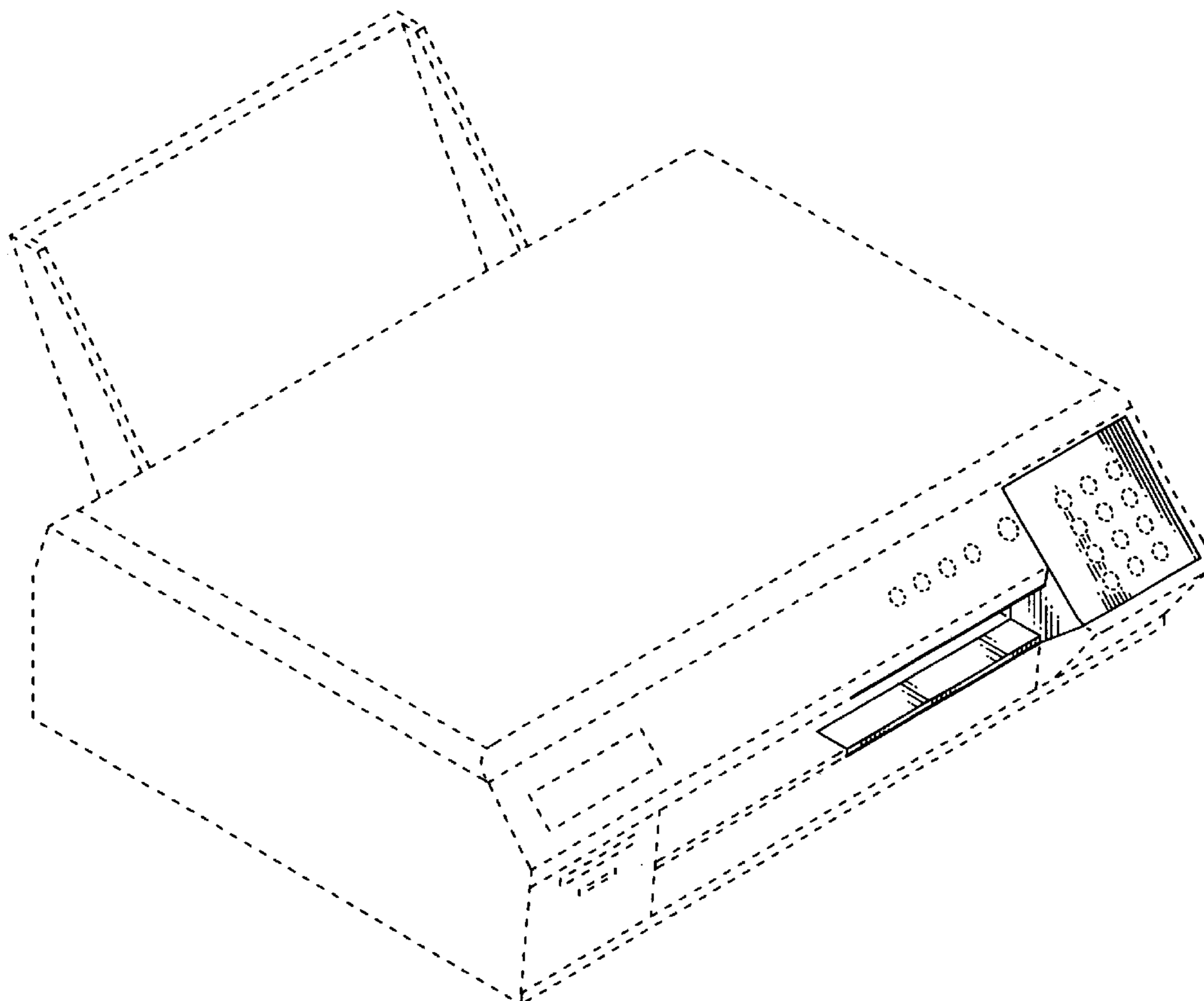
DESCRIPTION

FIG. 1 is a perspective view of a printer with copying, scanning and facsimile functions;
FIG. 2 is a front view thereof;
FIG. 3 is a left side view thereof;
FIG. 4 is a top thereof; and,
FIG. 5 is a bottom view thereof.

The rear and right views contain no ornamentality and are omitted.

The broken lines are for purposes of illustration only and form no part of the claimed design.

1 Claim, 4 Drawing Sheets



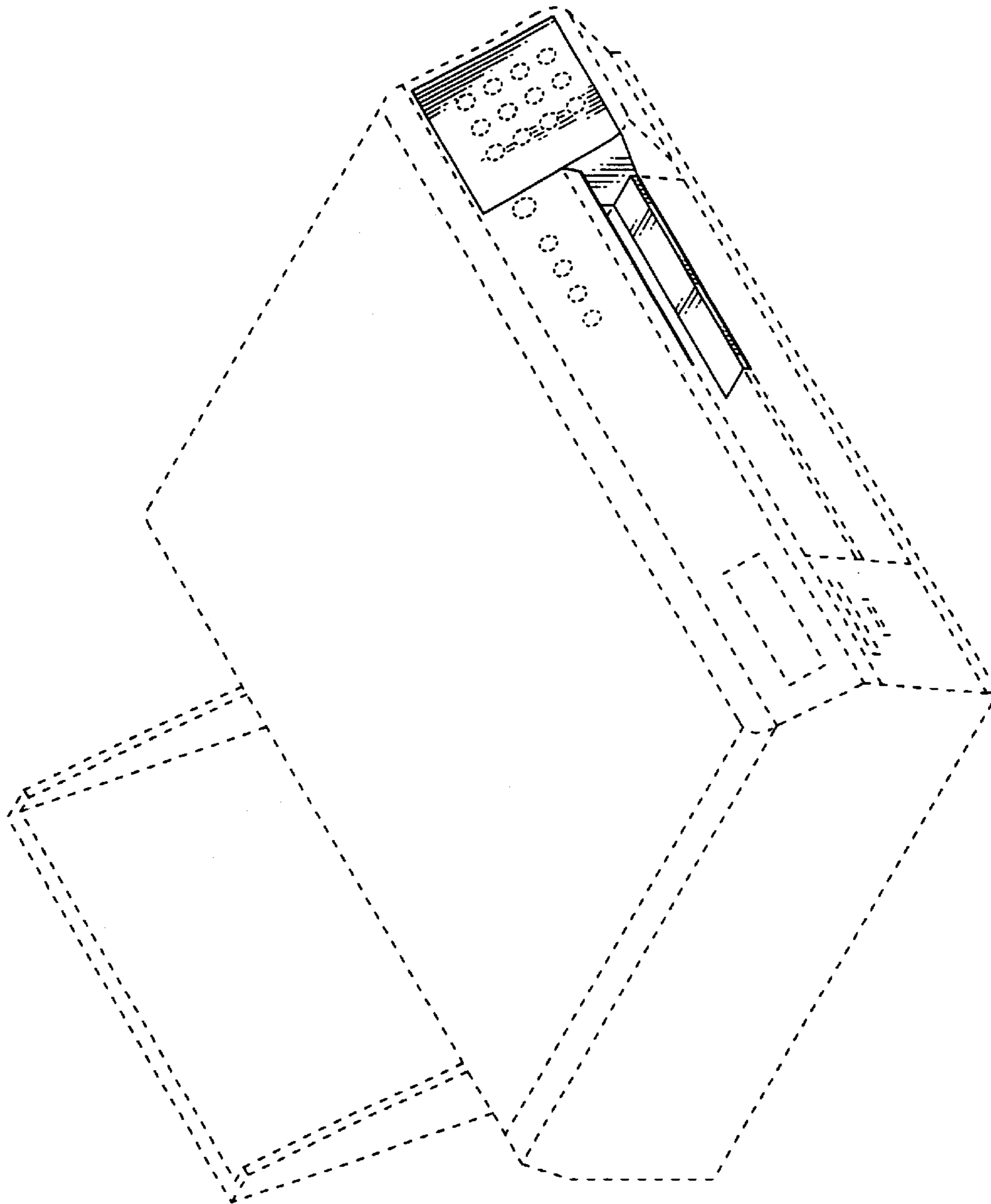


Fig. 1

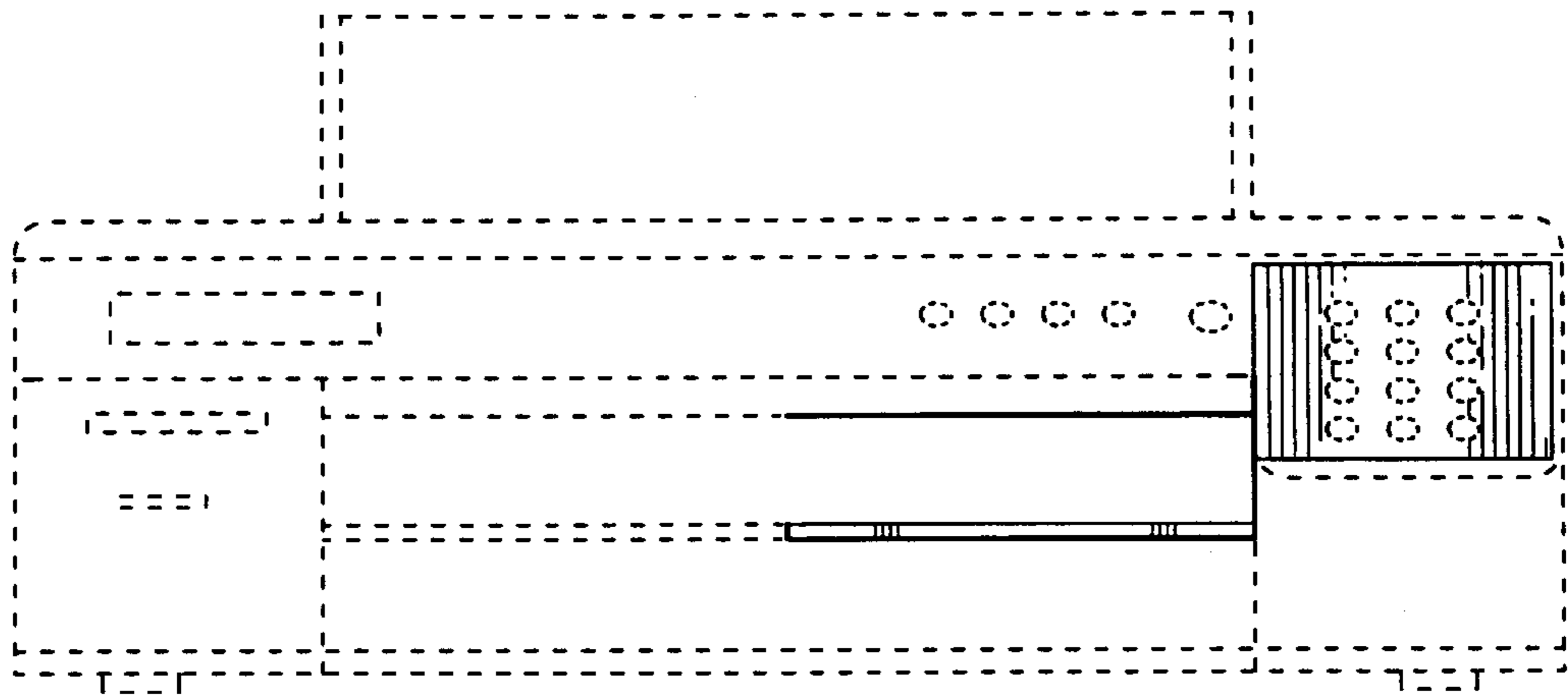


Fig. 2

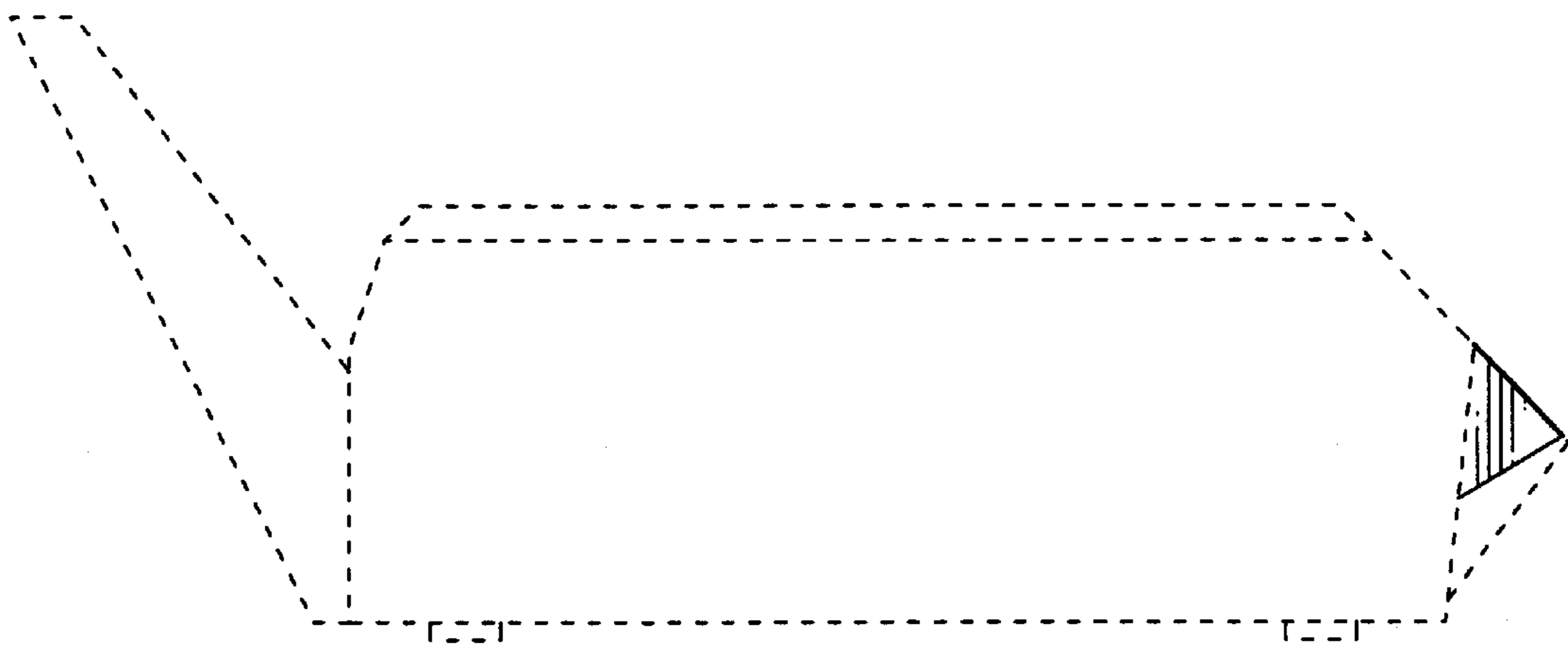


Fig. 3

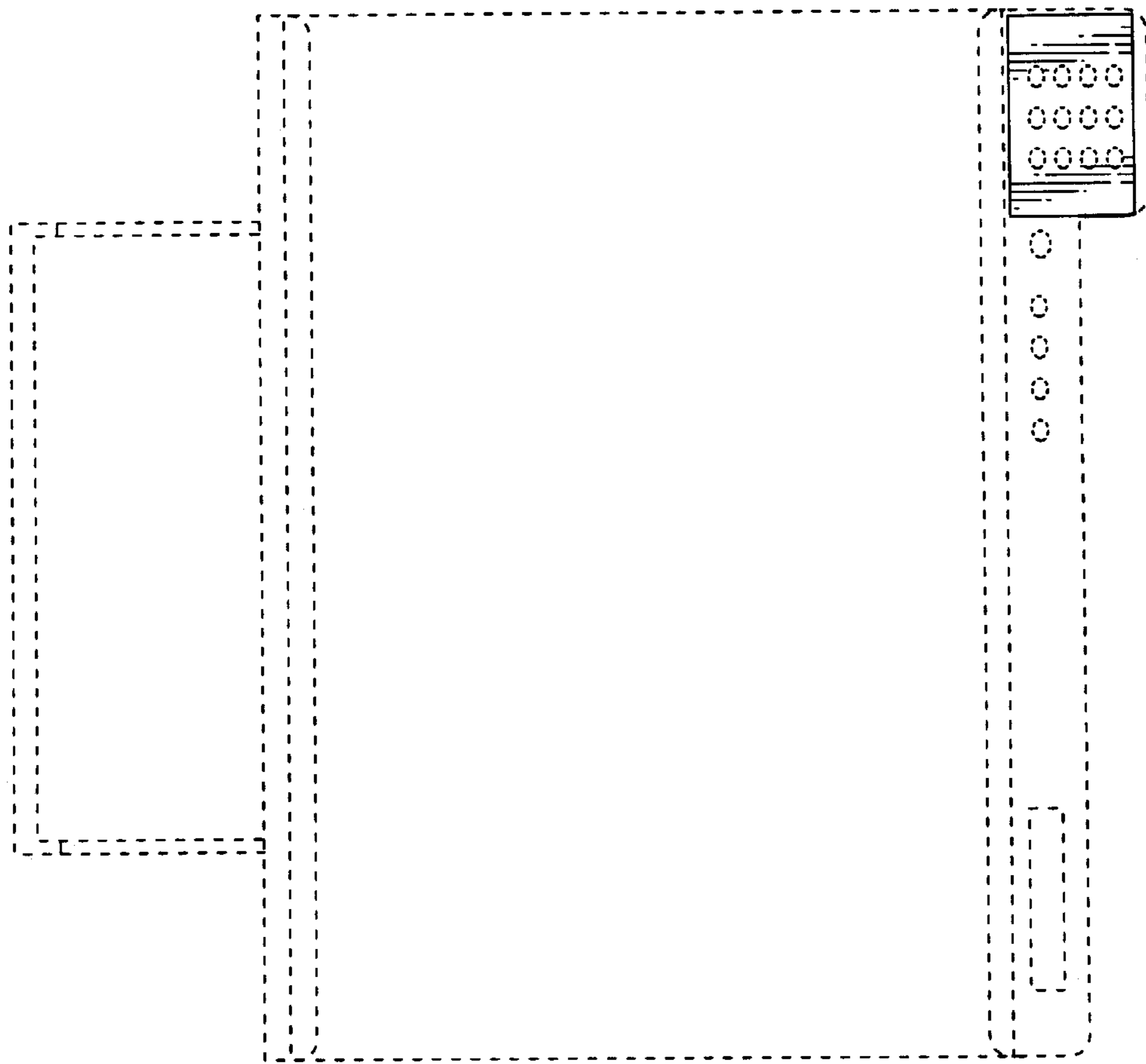


Fig. 4

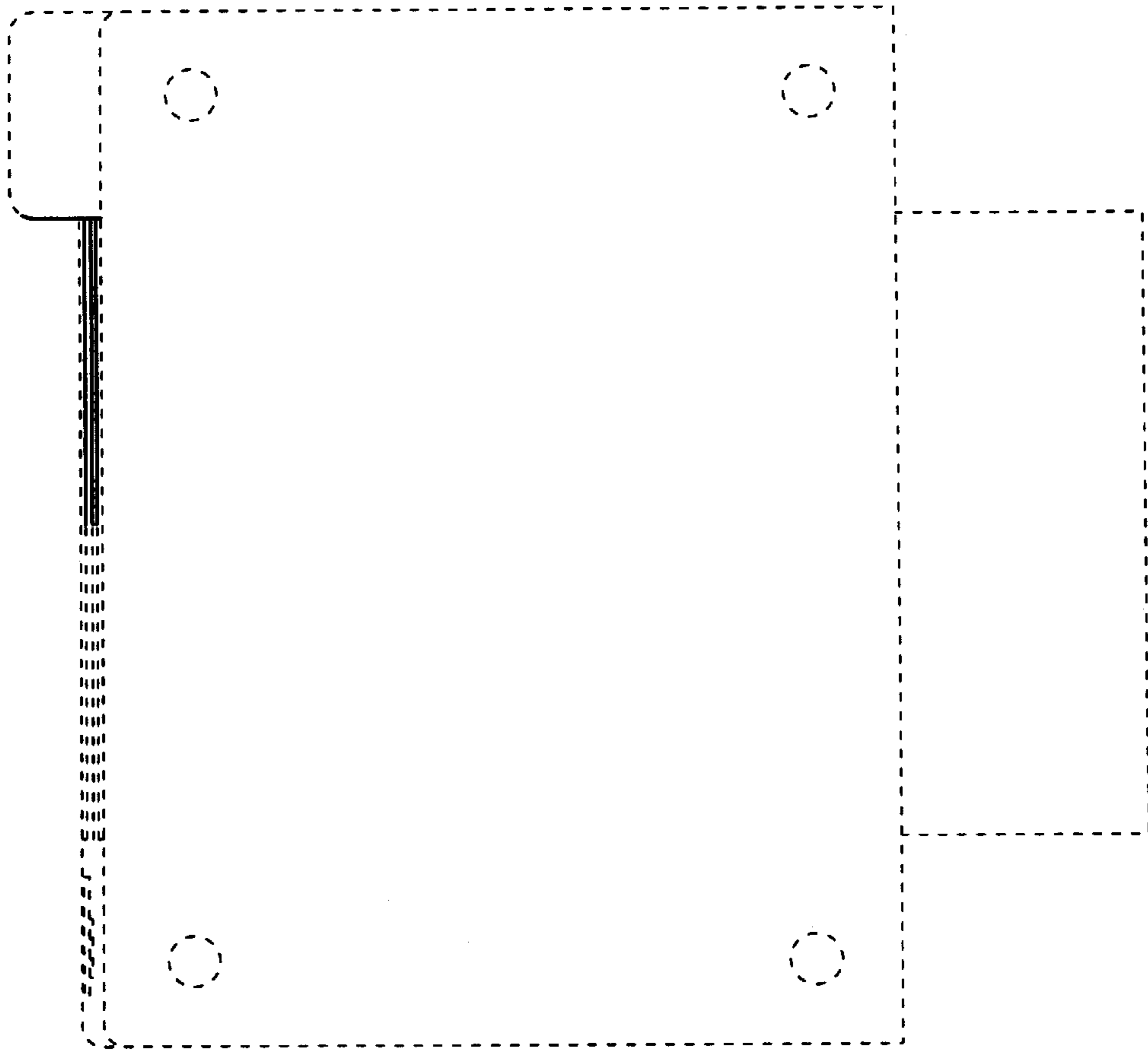


Fig. 5