



US00D482382S

(12) **United States Design Patent**
Kurokawa

(10) **Patent No.:** **US D482,382 S**

(45) **Date of Patent:** **** Nov. 18, 2003**

(54) **PORTION OF A LIQUID CRYSTAL PROJECTOR**

Primary Examiner—Adir Aronovich
(74) *Attorney, Agent, or Firm*—Banner & Witcoff, Ltd.

(75) **Inventor:** **Tadashi Kurokawa, Kawasaki (JP)**

(57) **CLAIM**

(73) **Assignee:** **Kabushiki Kaisha Toshiba (JP)**

The ornamental design for a portion of a liquid crystal projector, as shown and described.

(**) **Term:** **14 Years**

DESCRIPTION

(21) **Appl. No.:** **29/169,724**

(22) **Filed:** **Oct. 25, 2002**

(30) **Foreign Application Priority Data**

Jun. 11, 2002 (JP) 2002-015565

(51) **LOC (7) Cl. 16-02**

(52) **U.S. Cl. D16/235; D16/232**

(58) **Field of Search D16/221, 225, D16/229, 232, 235; 349/5, 7, 8, 58; 353/63-67, 119, 122, DIG. 3, DIG. 6**

FIG. 1 is a top, rear and right side perspective view of a portion of a liquid crystal projector showing my new design,

FIG. 2 is a front elevational view thereof,

FIG. 3 is a rear elevational view thereof,

FIG. 4 is a left side elevational view thereof,

FIG. 5 is a right side elevational view thereof,

FIG. 6 is a top plan view thereof,

FIG. 7 is a bottom plan view thereof,

FIG. 8 is a top plan view showing the portion of a liquid crystal projector in a closed position thereof,

FIG. 9 is a right side elevational view showing the portion of a liquid crystal projector in the closed position thereof; and,

FIG. 10 is a rear elevational view showing the portion of a liquid crystal projector in the closed position thereof.

The broken line showing of the remainder of the liquid crystal projector is for illustrative purposes only and does not form part of the claimed design.

(56) **References Cited**

U.S. PATENT DOCUMENTS

D322,264 S	*	12/1991	Jewison	D16/232
5,245,370 A	*	9/1993	Peterson	353/122
D344,533 S	*	2/1994	Hasegawa	D16/232
D349,715 S	*	8/1994	Darland	D16/232
5,374,969 A	*	12/1994	Kyhl et al.	353/119
5,382,991 A	*	1/1995	Rodriguez, Jr. et al.	353/119

FOREIGN PATENT DOCUMENTS

JP 1078937 7/2000

* cited by examiner

1 Claim, 5 Drawing Sheets

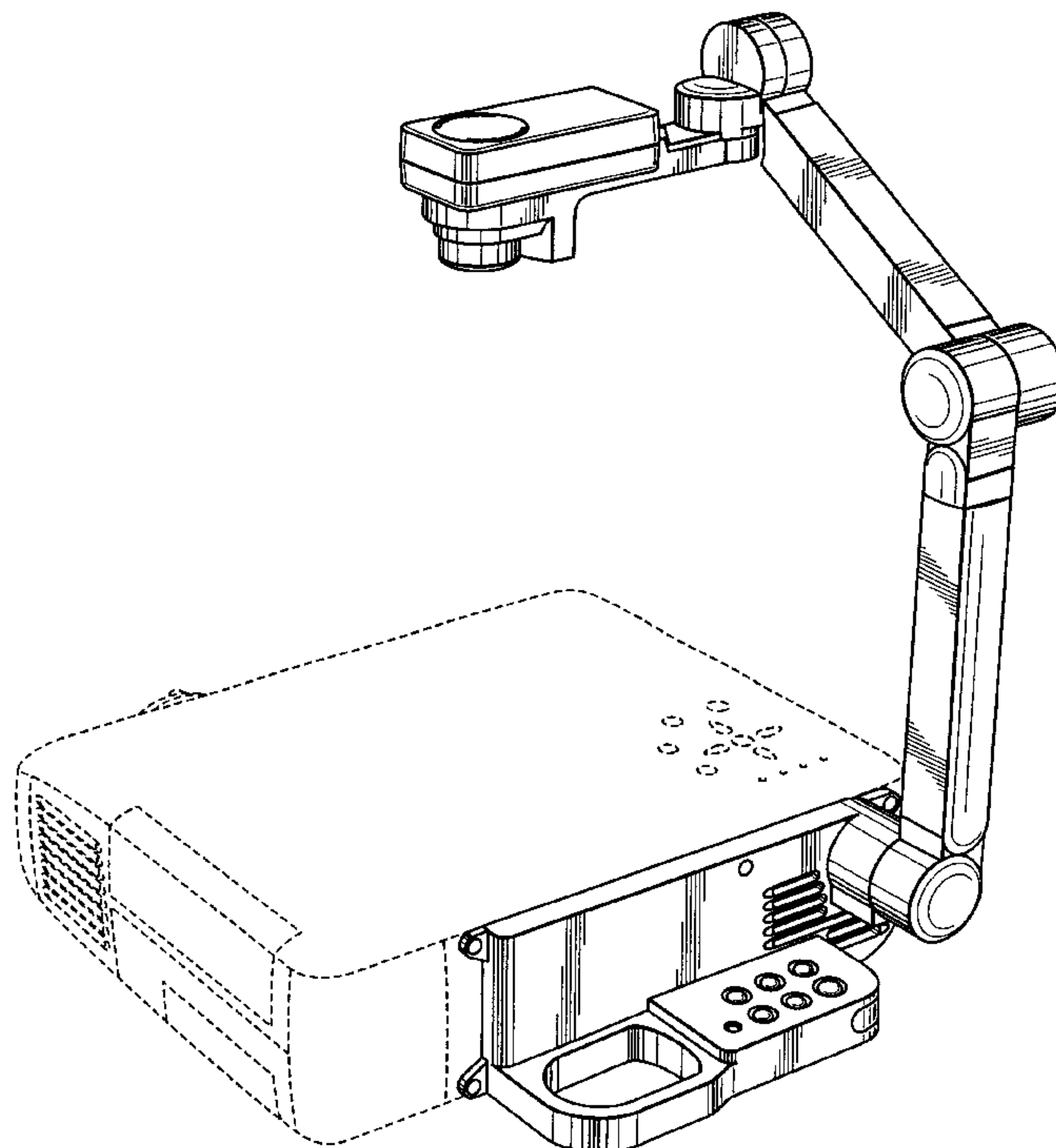


FIG. 1

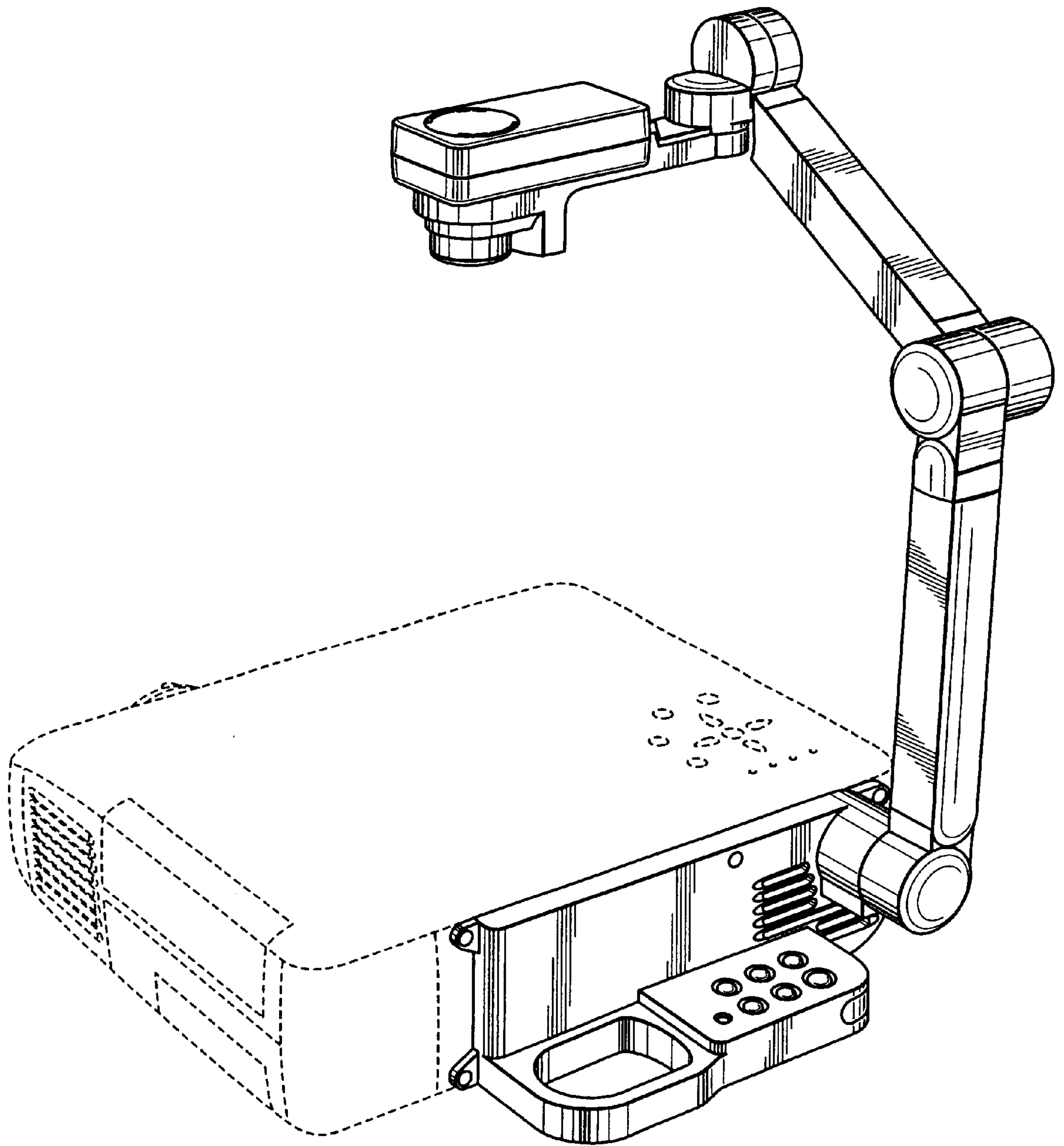


FIG. 2

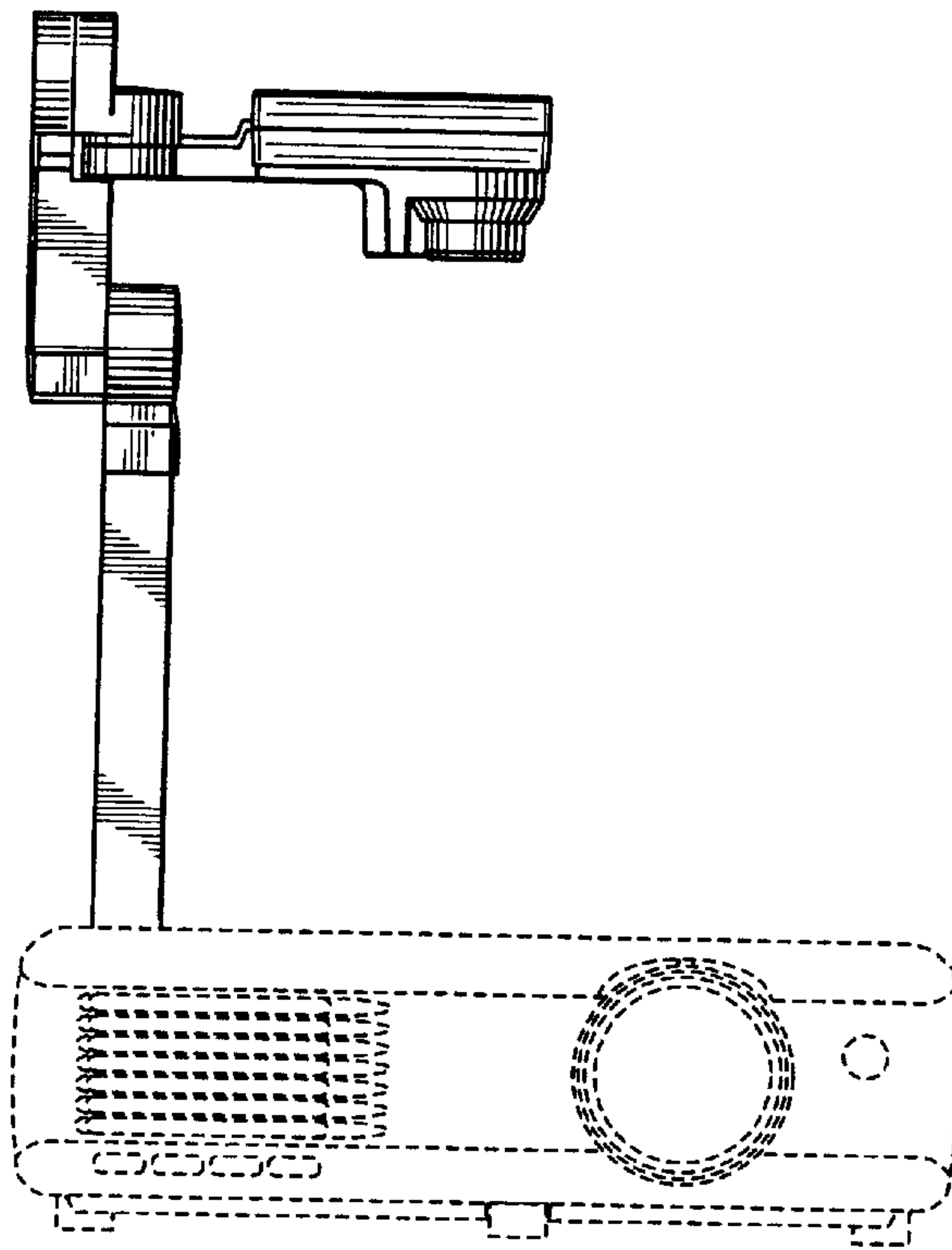


FIG. 3

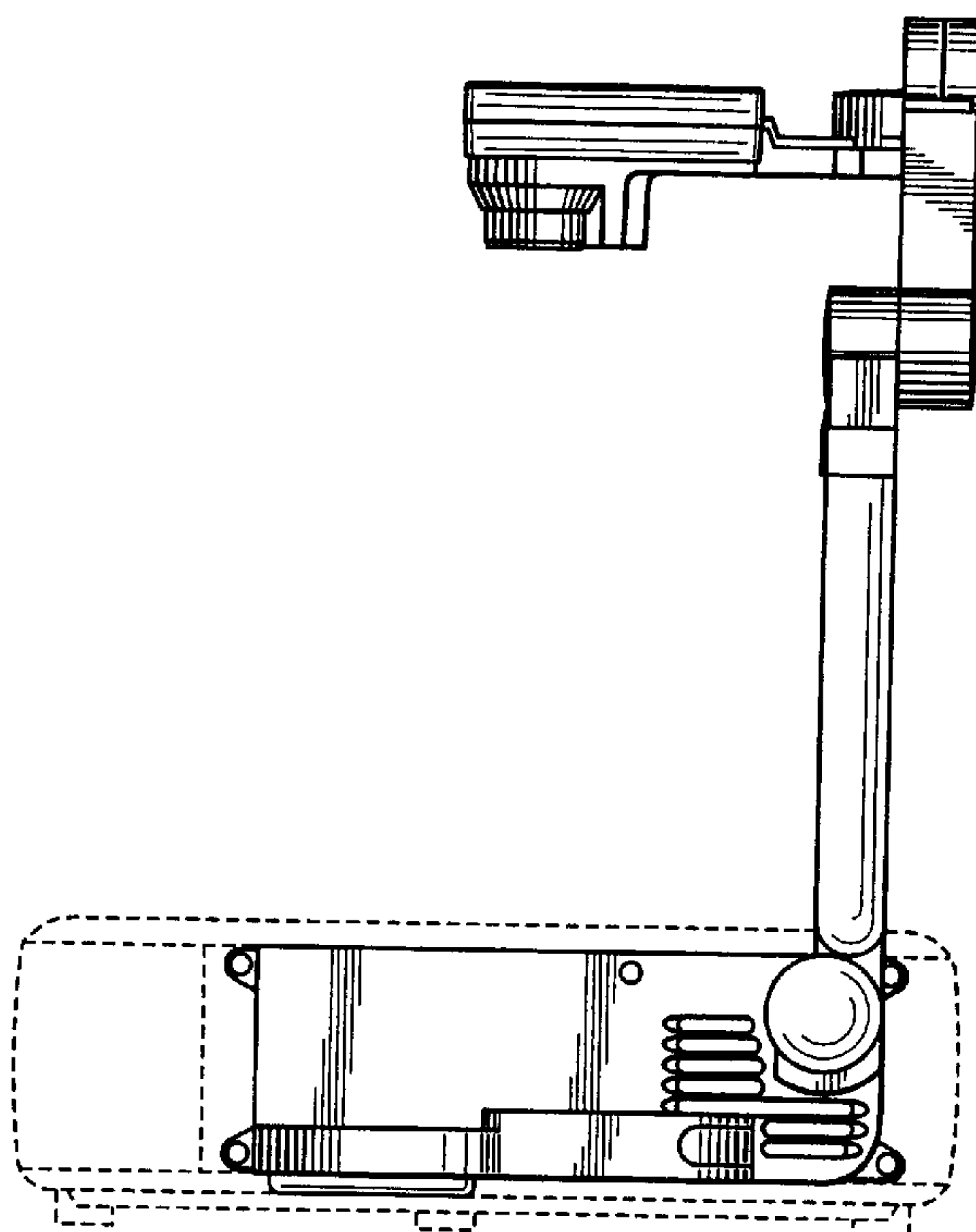


FIG. 4

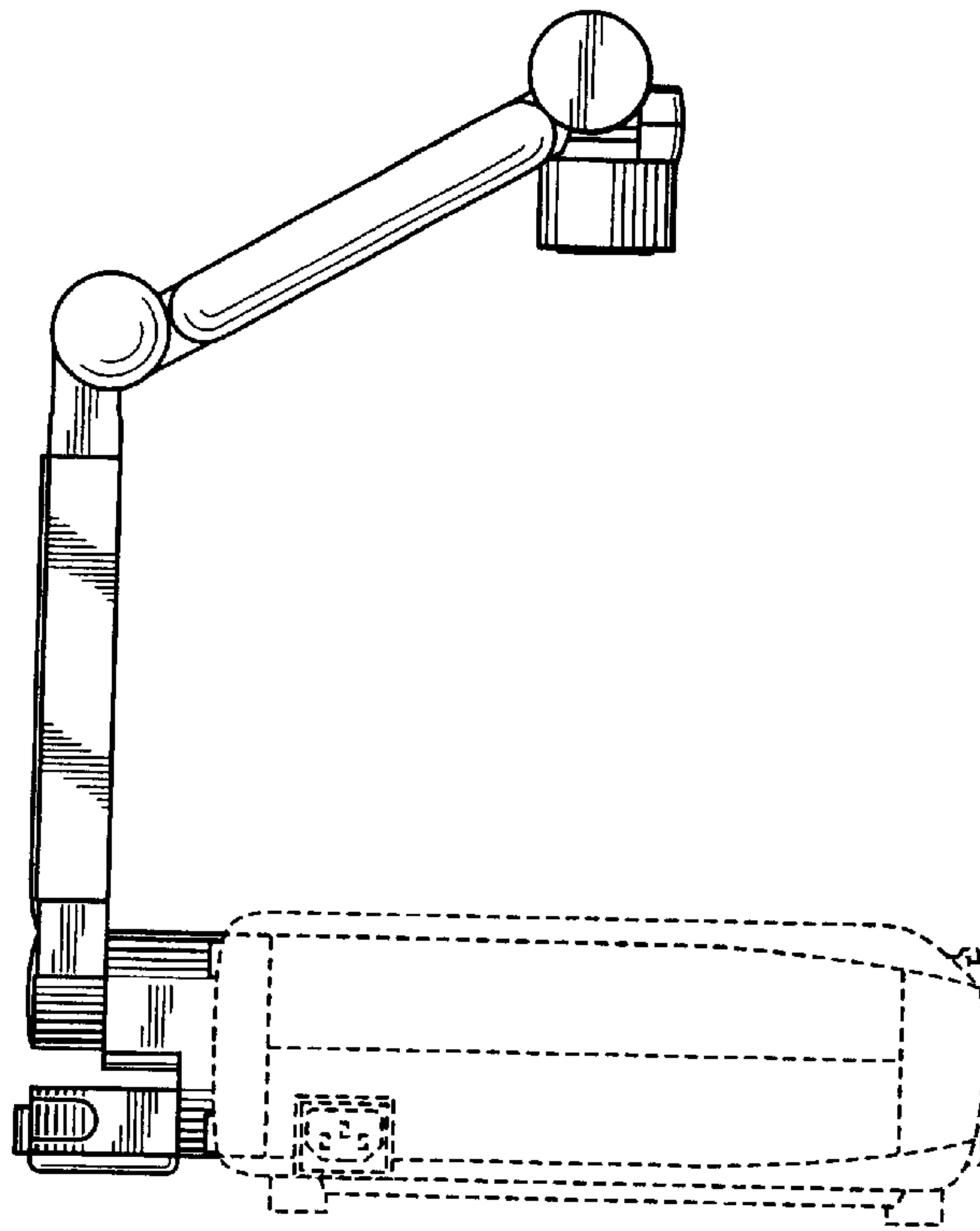


FIG. 5

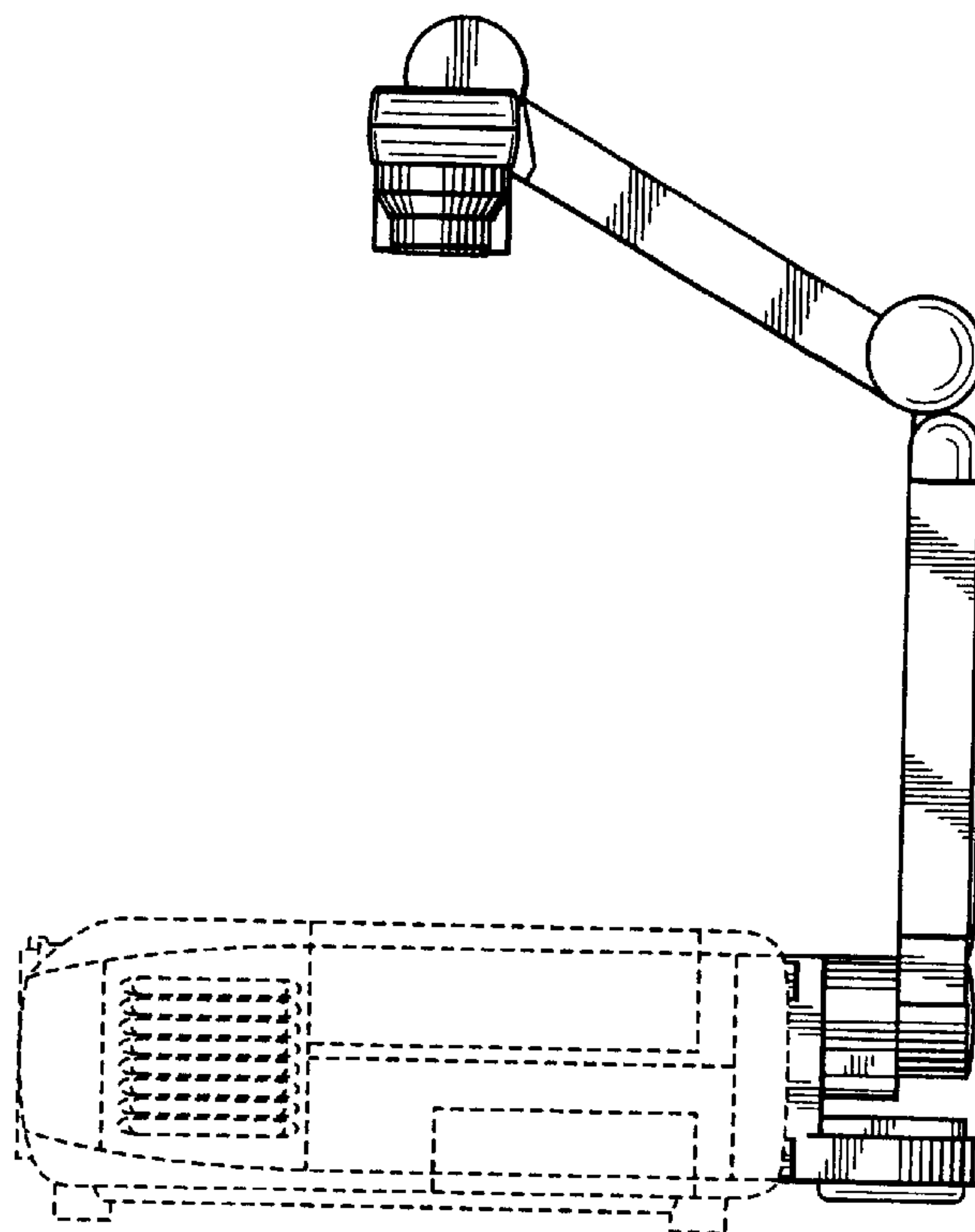


FIG. 6

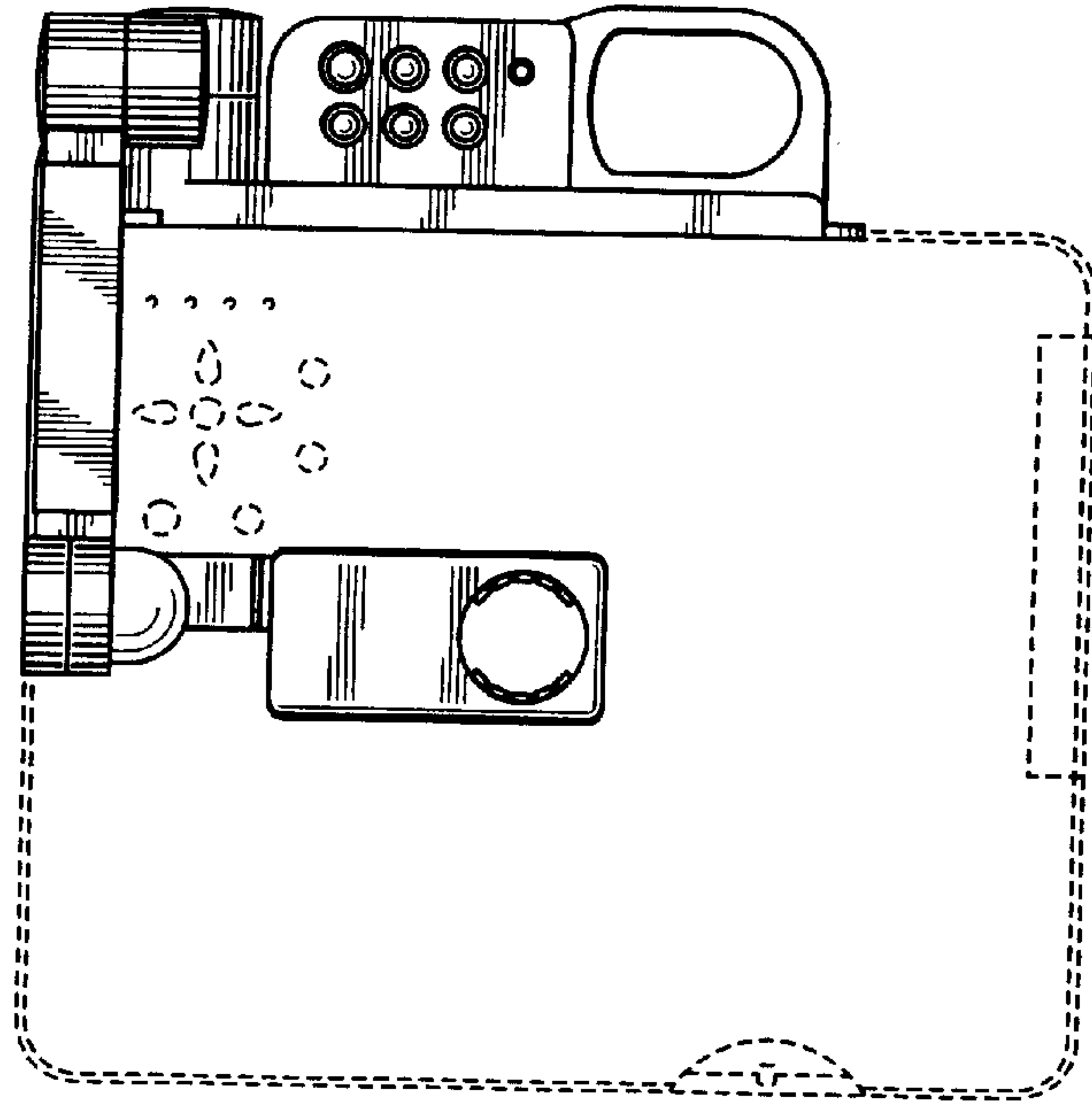


FIG. 7

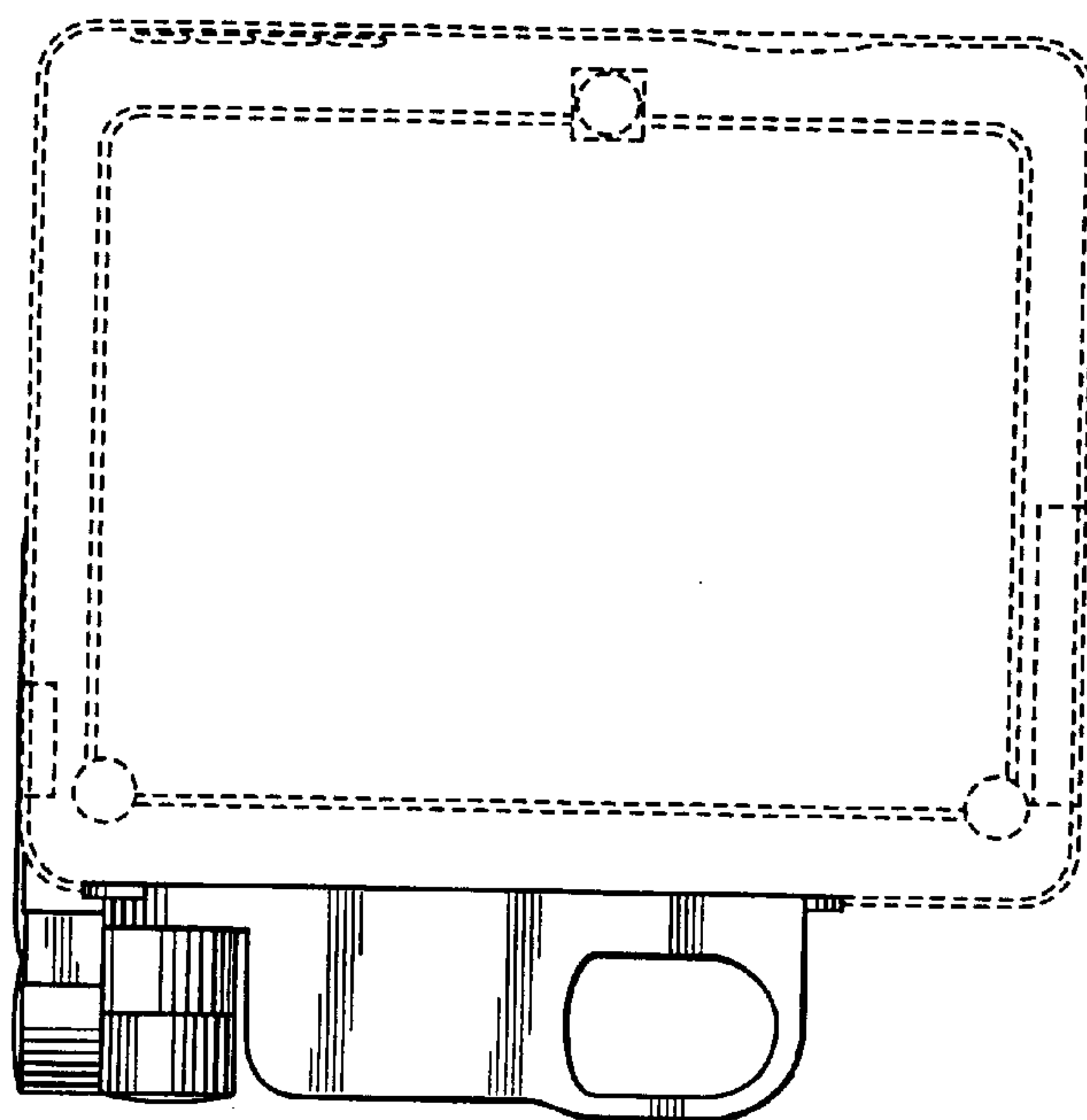


FIG. 8

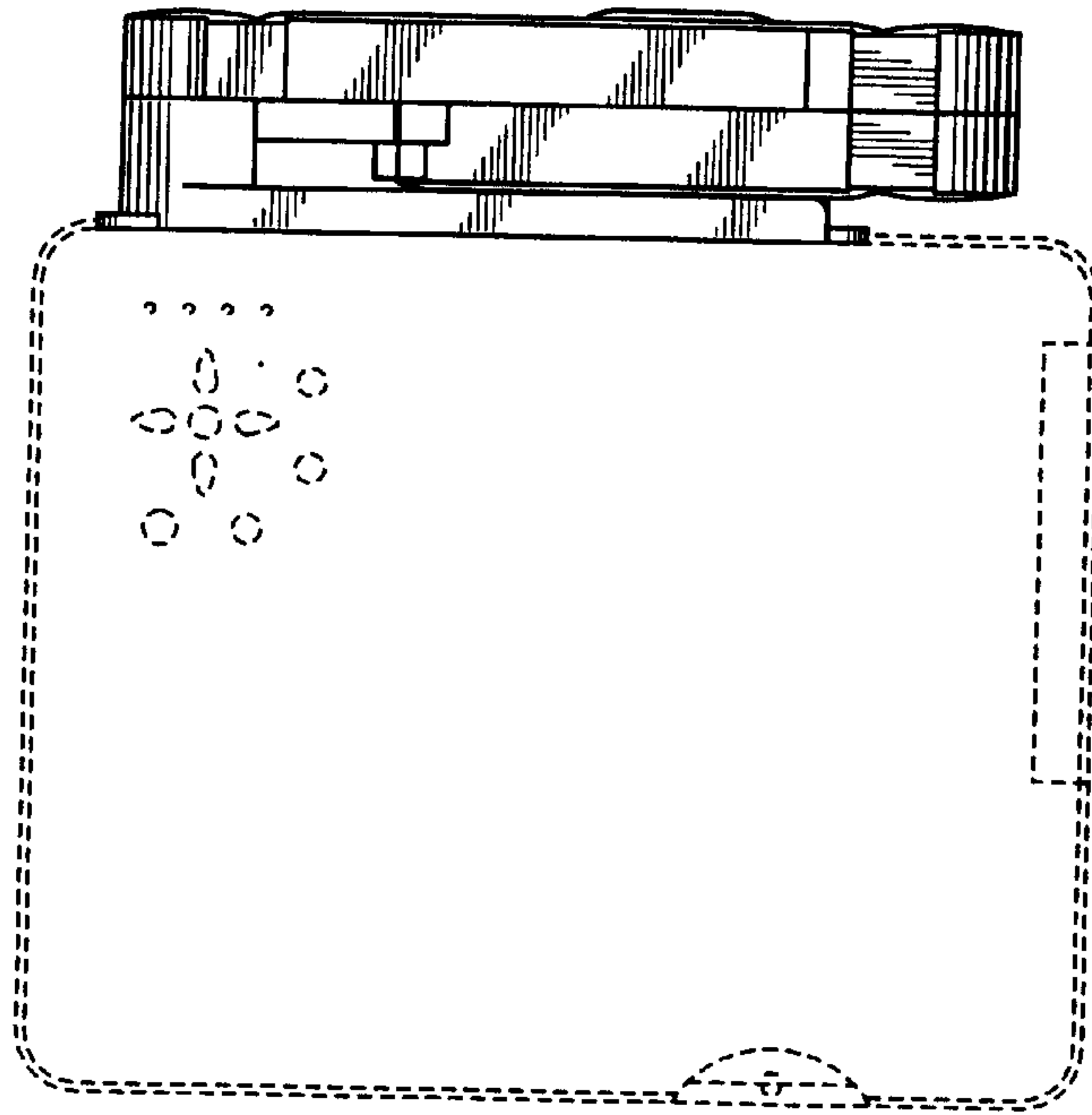


FIG. 9

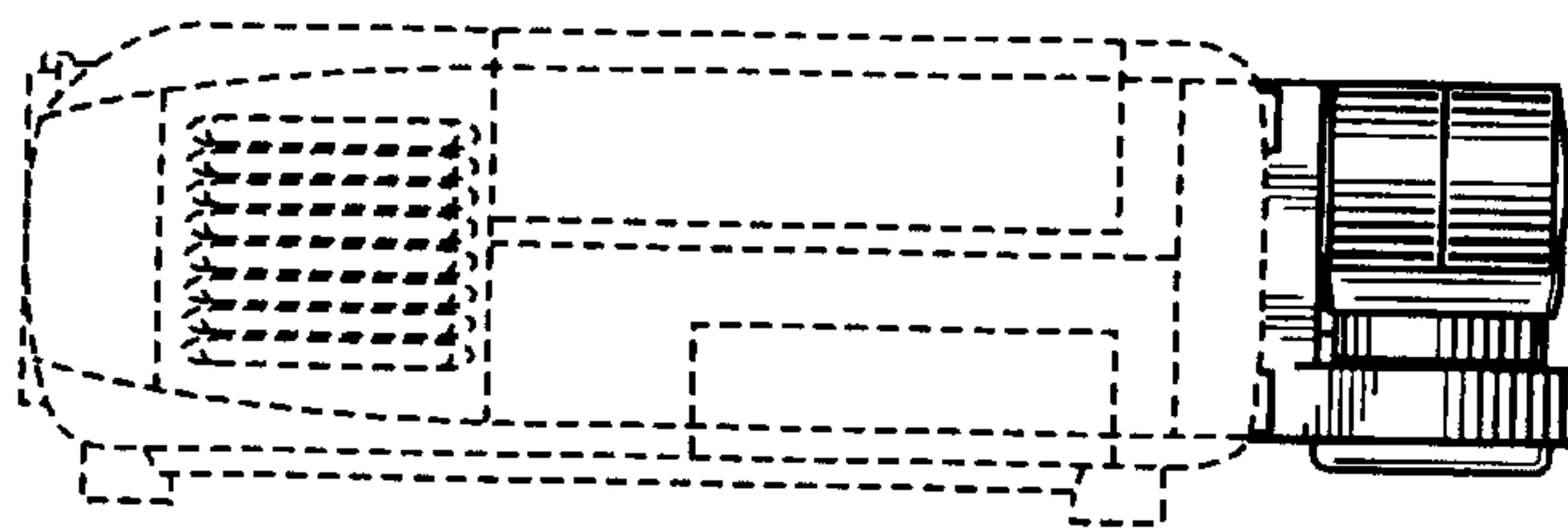


FIG. 10

