



US00D482380S

(12) **United States Design Patent**
Salvatori et al.

(10) **Patent No.:** **US D482,380 S**

(45) **Date of Patent:** **** Nov. 18, 2003**

(54) **PROJECTOR SYSTEM**

(75) Inventors: **Phillip H. Salvatori**, Salem, OR (US);
Danny Han, Beaverton, OR (US)

(73) Assignee: **InFocus Corporation**, Wilsonville, OR (US)

(**) Term: **14 Years**

(21) Appl. No.: **29/163,889**

(22) Filed: **Jul. 12, 2002**

(51) **LOC (7) Cl.** **16-02**

(52) **U.S. Cl.** **D16/230**

(58) **Field of Search** D16/205, 208,
D16/213, 221, 225, 230, 231, 234; D21/514;
353/115, 119, 122

(56) **References Cited**

U.S. PATENT DOCUMENTS

D356,103 S	*	3/1995	Saeki et al.	D16/221
D391,940 S	*	3/1998	Sakata	D16/213
D428,619 S	*	7/2000	Saeki et al.	D16/230
D437,337 S	*	2/2001	Kawasaki et al.	D16/230

D443,630 S	*	6/2001	Salvatori	D16/230
D454,360 S	*	3/2002	Shimizu et al.	D16/230
D472,570 S	*	4/2003	Takahashi	D16/230

* cited by examiner

Primary Examiner—Adir Aronovich

(57) **CLAIM**

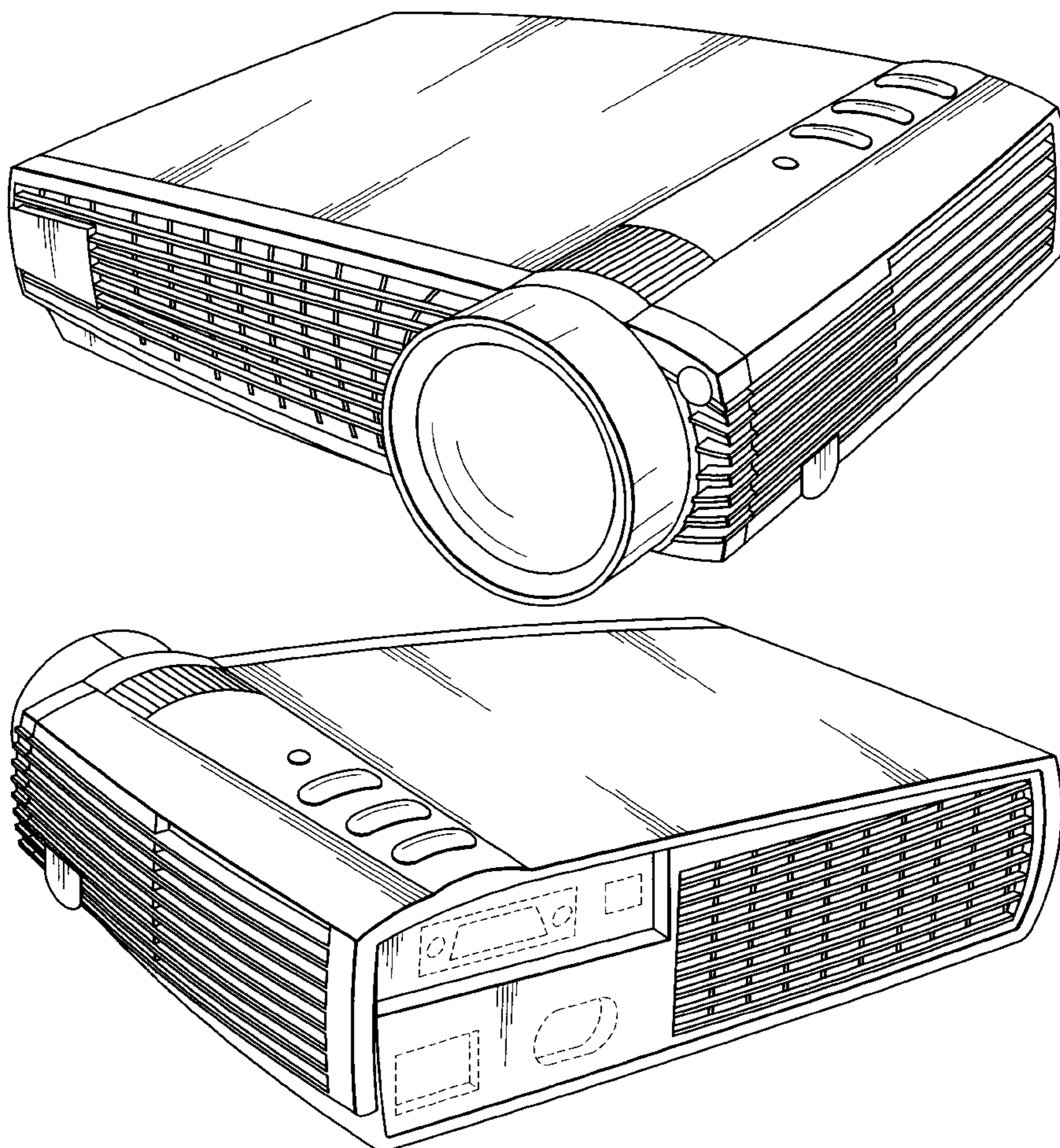
The ornamental design for a projector system, as shown and described.

DESCRIPTION

FIG. 1 is a front perspective view of a projector system according to the present invention; FIG. 2 is a rear perspective view thereof; FIG. 3 is a top view thereof; FIG. 4 is a bottom view thereof; FIG. 5 is a front view thereof; FIG. 6 is a rear view thereof; FIG. 7 is a left side view thereof; and, FIG. 8 is a right side view thereof.

The broken lines shown on the drawings are for illustrative purposes only and form no part of the claimed design.

1 Claim, 6 Drawing Sheets



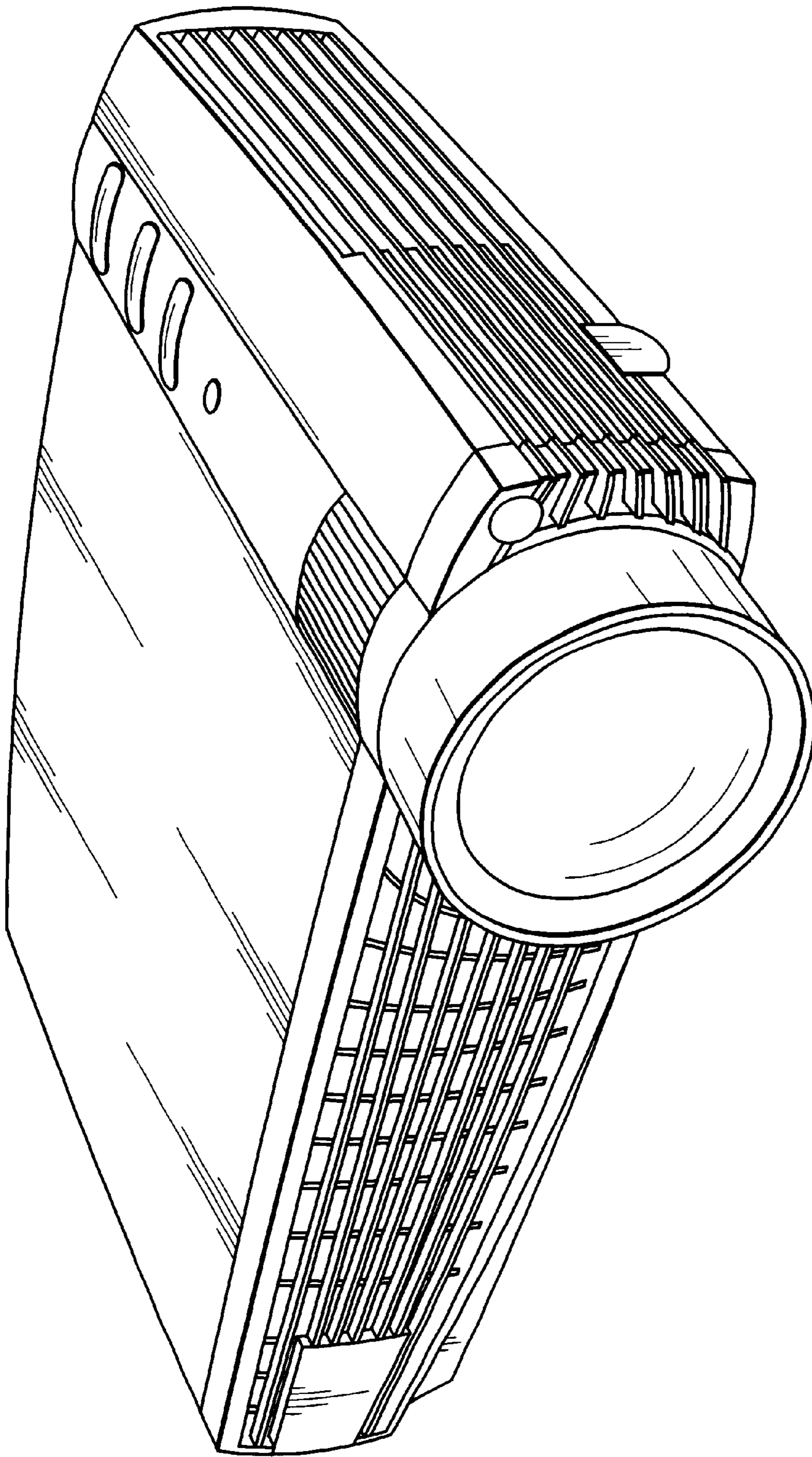


FIG. 1

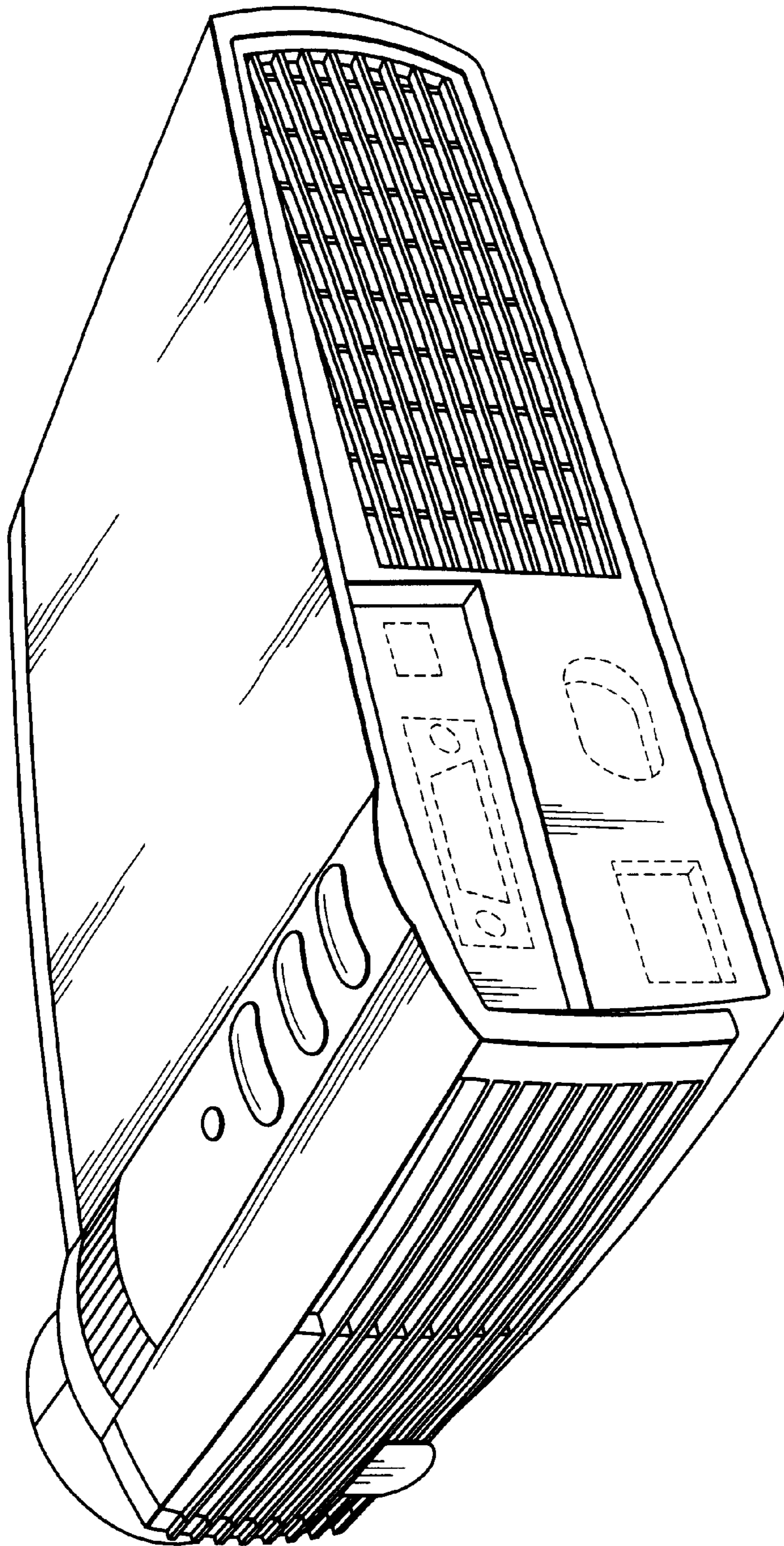


FIG. 2

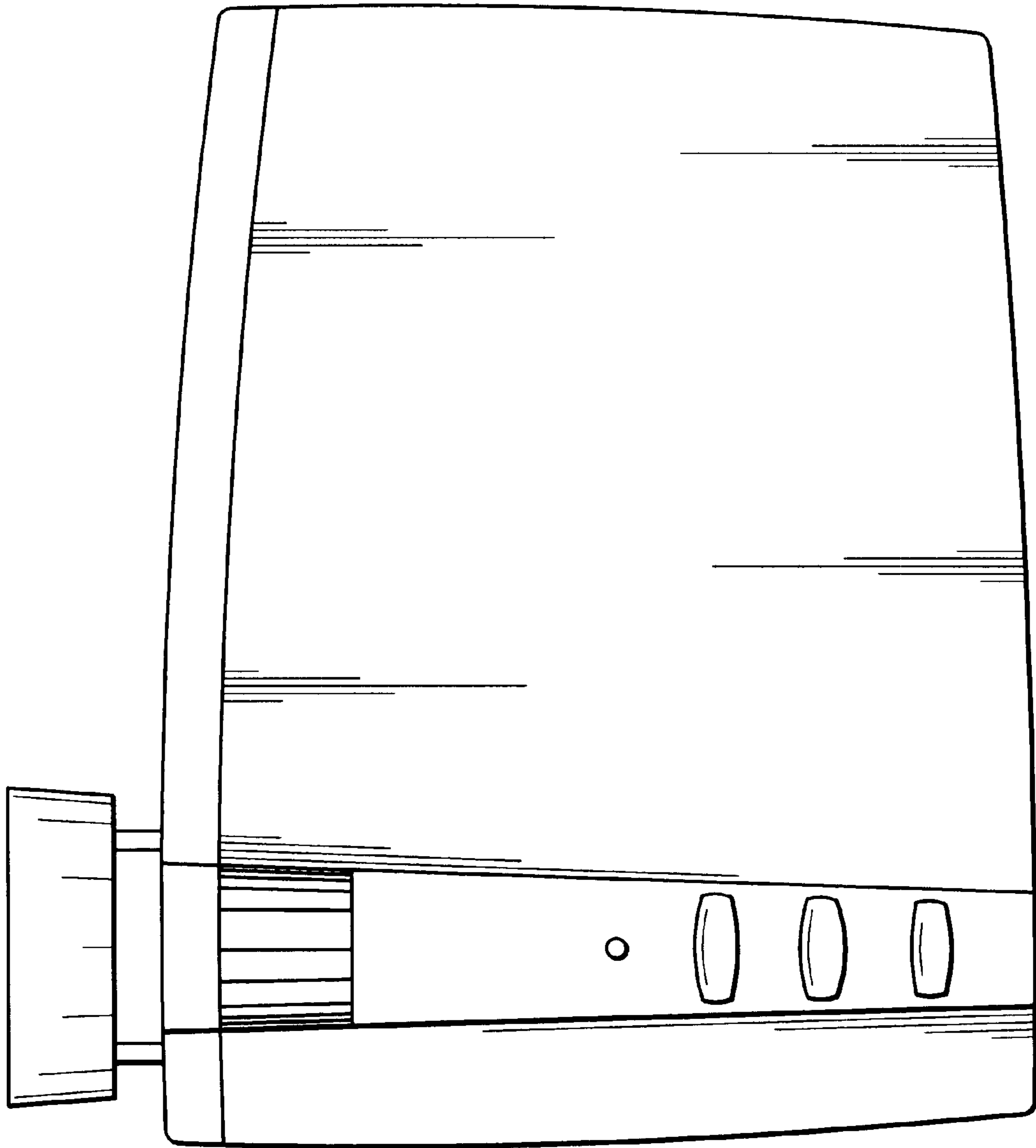


FIG. 3

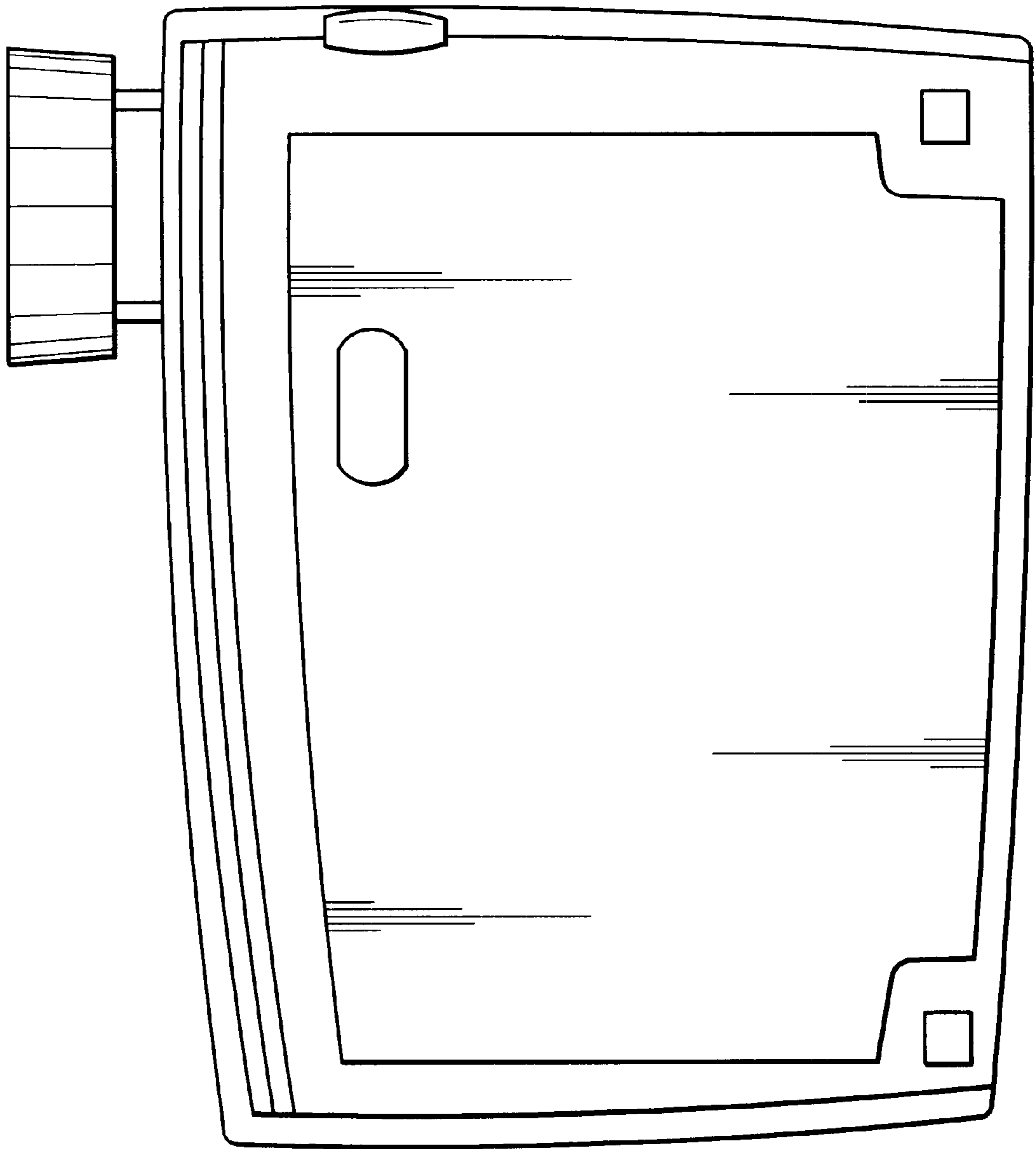


FIG. 4

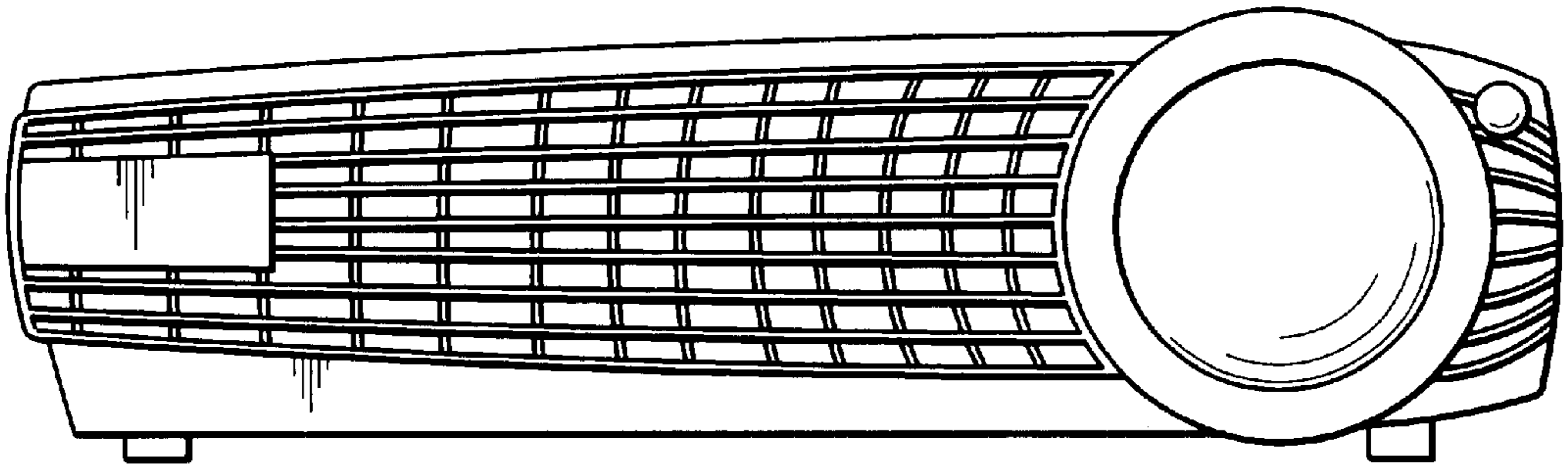


FIG. 5

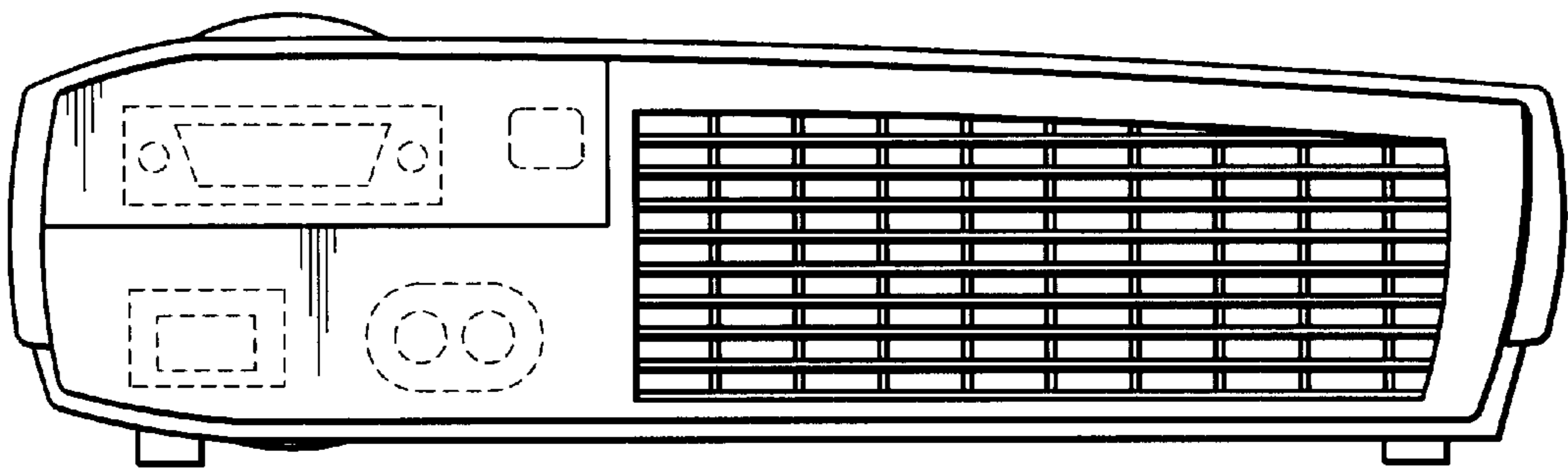


FIG. 6

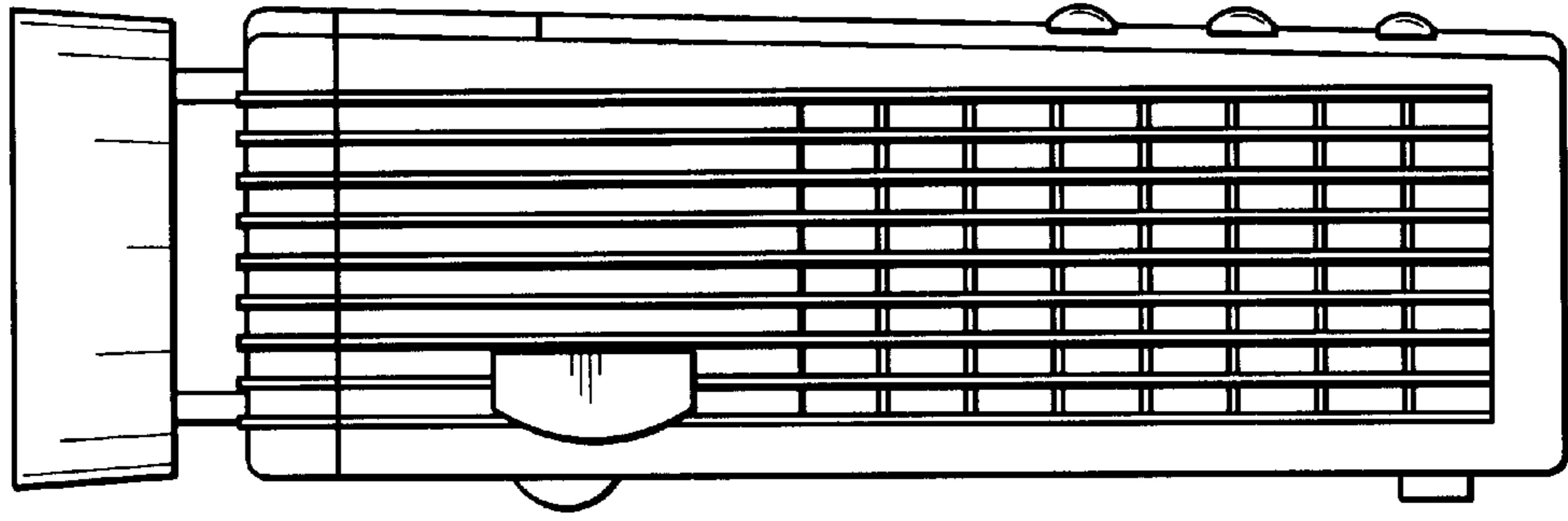


FIG. 7

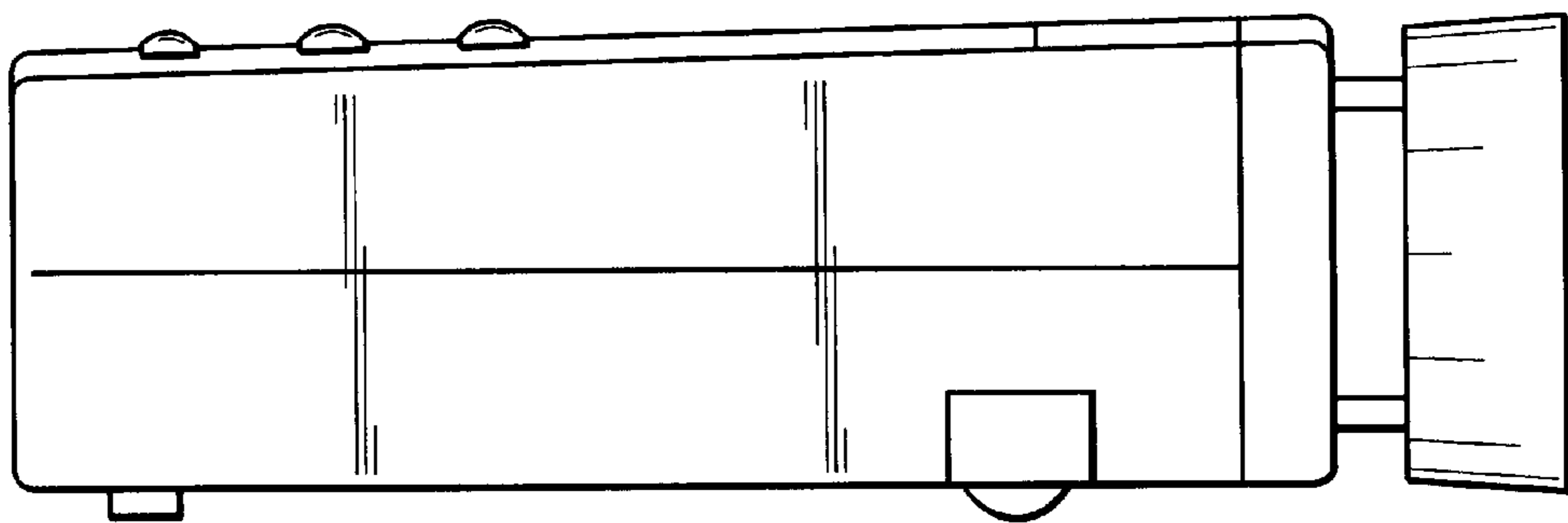


FIG. 8