



US00D482379S

(12) **United States Design Patent**  
**Utsunomiya**

(10) **Patent No.:** **US D482,379 S**

(45) **Date of Patent:** **\*\* Nov. 18, 2003**

(54) **CONTROLLER FOR DIGITAL CAMERA**

(75) Inventor: **Ryo Utsunomiya, Tokyo (JP)**

(73) Assignee: **Casio Keisanki Kabushiki Kaisha, Tokyo (JP)**

(\*\*) Term: **14 Years**

(21) Appl. No.: **29/171,568**

(22) Filed: **Nov. 25, 2002**

(51) **LOC (7) Cl.** ..... **16-05**

(52) **U.S. Cl.** ..... **D16/219; D13/162**

(58) **Field of Search** ..... **D13/162, 168; D14/392, 401, 406, 454, 456; D16/219; 348/373-376, 734; 396/299, 535, 536-541**

(56) **References Cited**

**U.S. PATENT DOCUMENTS**

D371,543 S	*	7/1996	Hout	.....	D13/162
D393,290 S	*	4/1998	Goto	.....	D14/401
5,973,757 A	*	10/1999	Aubuchon et al.	.....	348/734
D471,576 S	*	3/2003	Nasu	.....	D16/219
D473,886 S	*	4/2003	Katayama	.....	D16/202

\* cited by examiner

*Primary Examiner*—Adir Aronovich  
(74) *Attorney, Agent, or Firm*—Frishauf, Holtz, Goodman & Chick, P.C.

(57) **CLAIM**

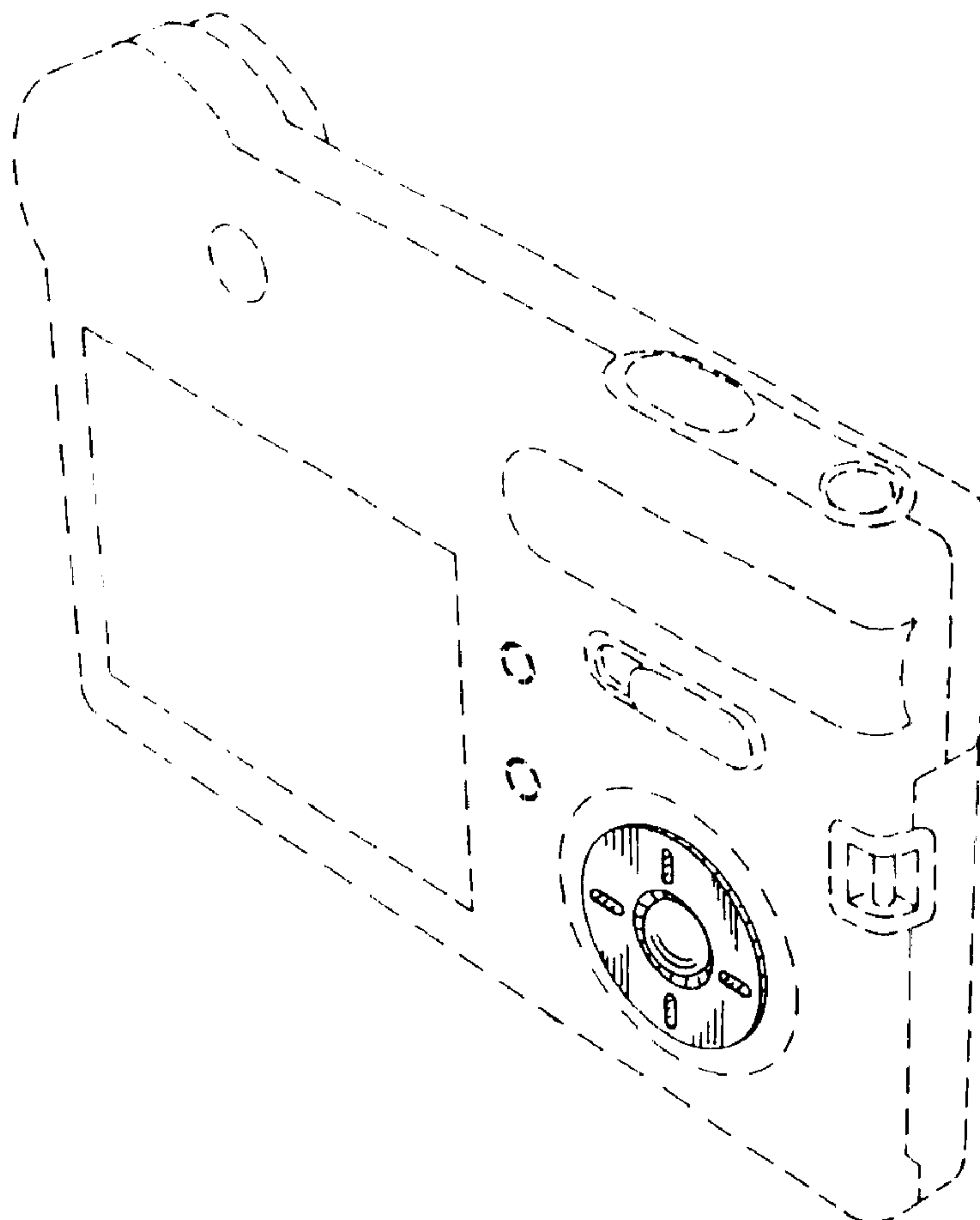
The ornamental design for a controller for digital camera, as shown and described.

**DESCRIPTION**

FIG. 1 is a rear elevational view of a digital camera with a controller showing my new design;  
FIG. 2 is a front elevational view thereof;  
FIG. 3 is a left side view thereof;  
FIG. 4 is a right side view thereof;  
FIG. 5 is a top plan view thereof;  
FIG. 6 is a bottom plan view thereof; and,  
FIG. 7 is a reduced top, rear, right side perspective view thereof.

The broken line showing of the digital camera is for illustrative purposes only and forms no part of the claimed design.

**1 Claim, 7 Drawing Sheets**



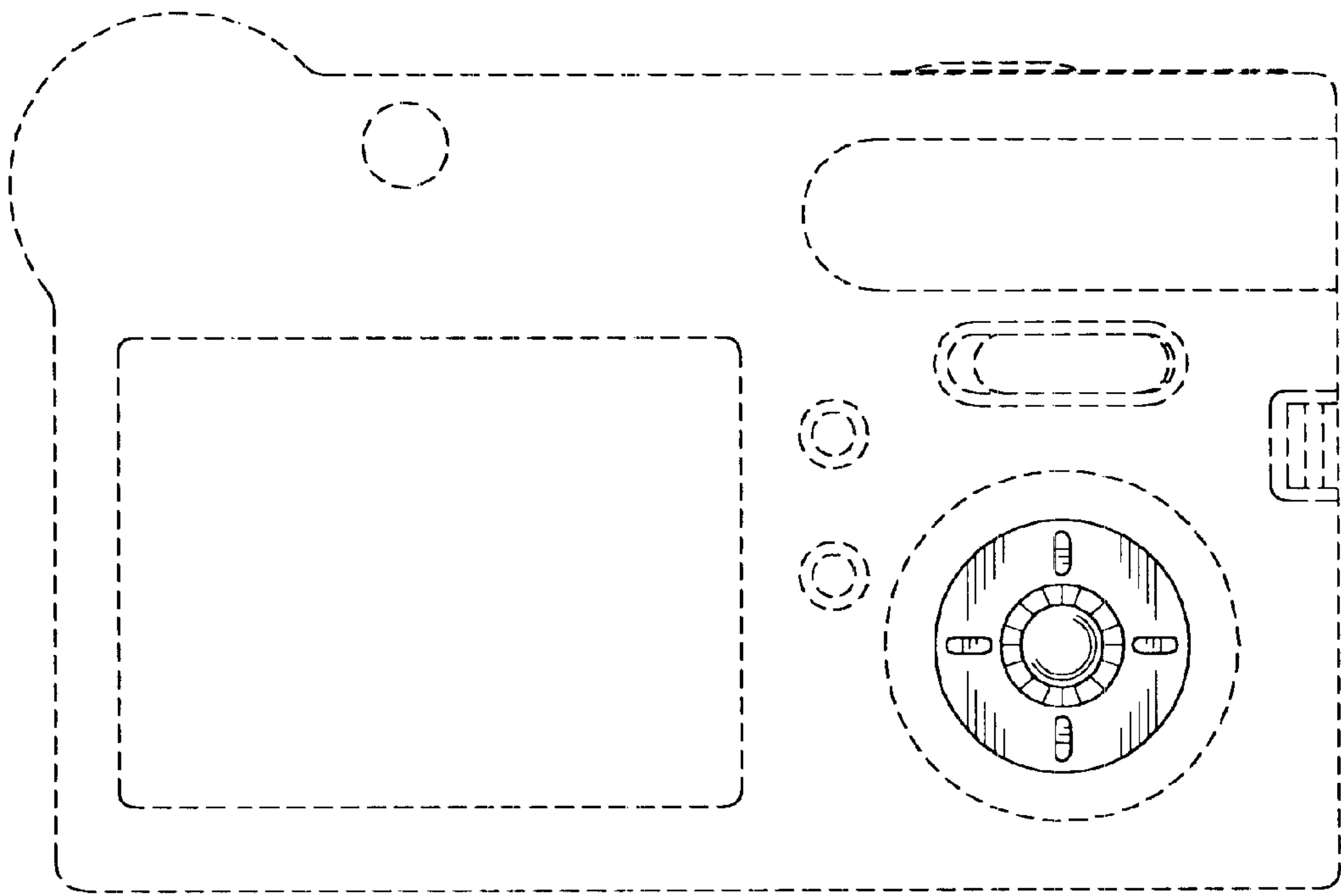


FIG. 1

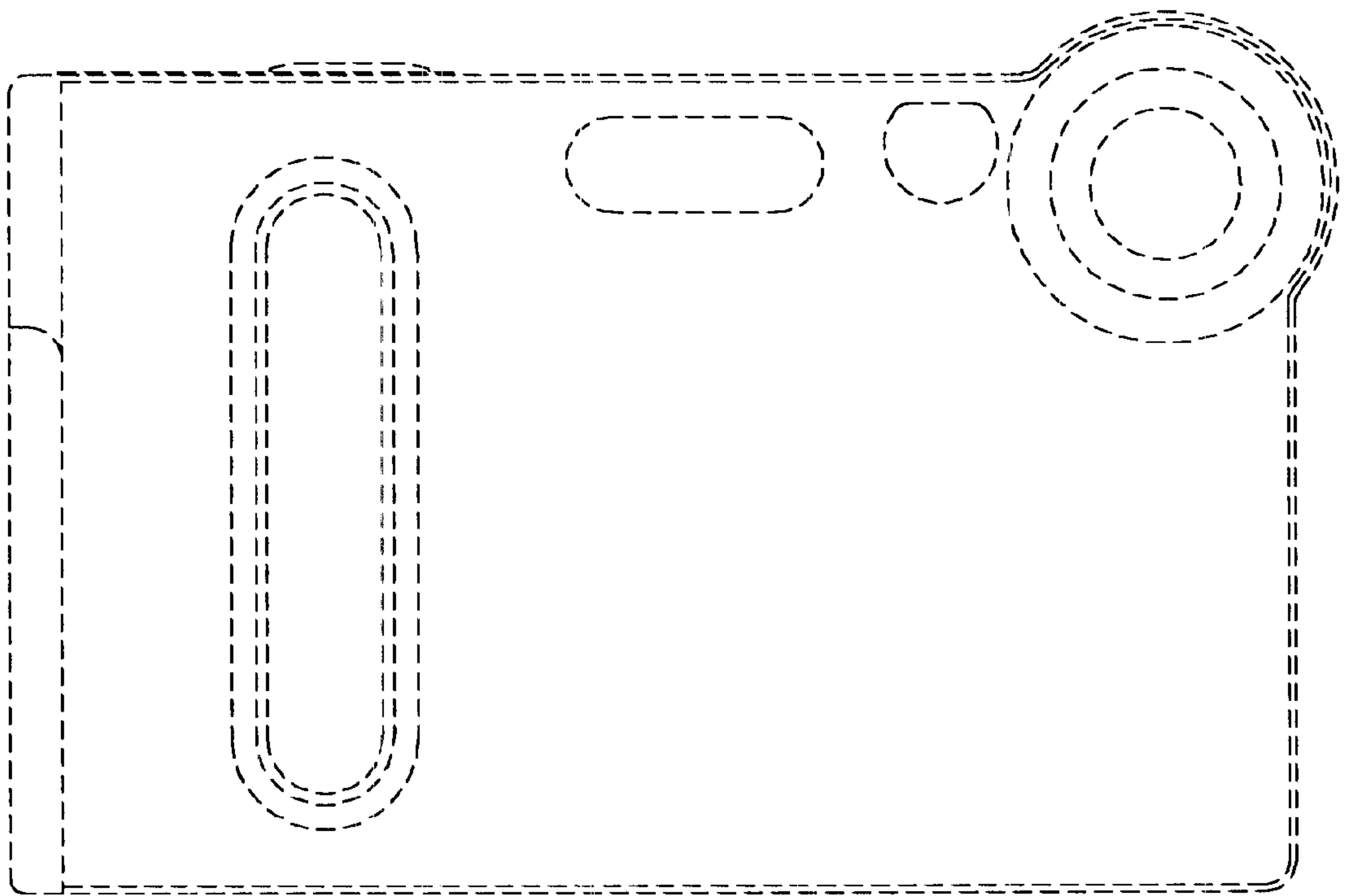


FIG. 2

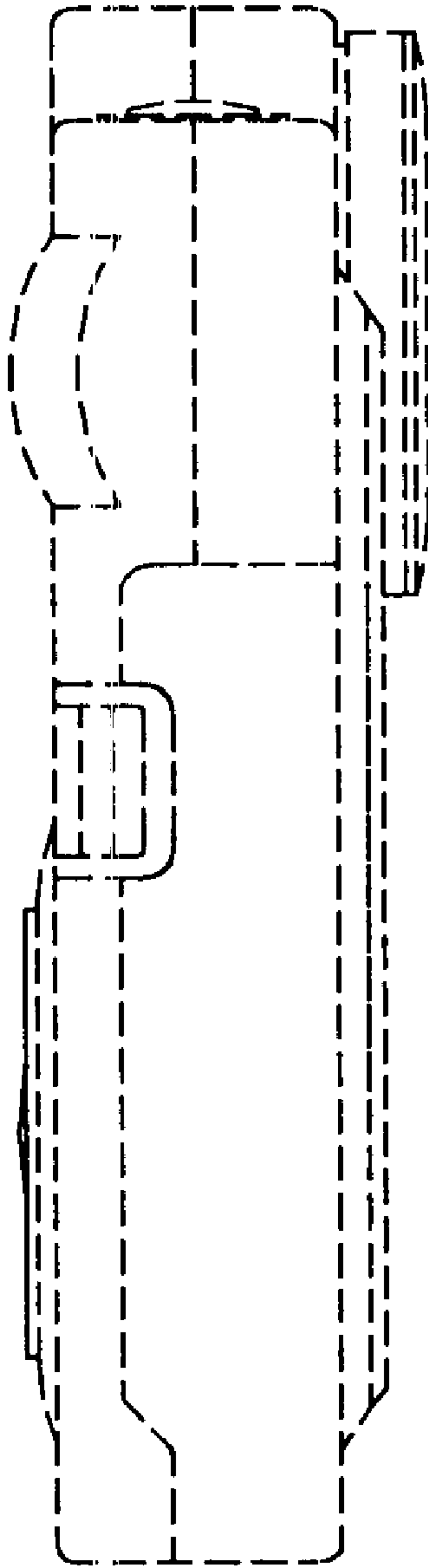


FIG. 3

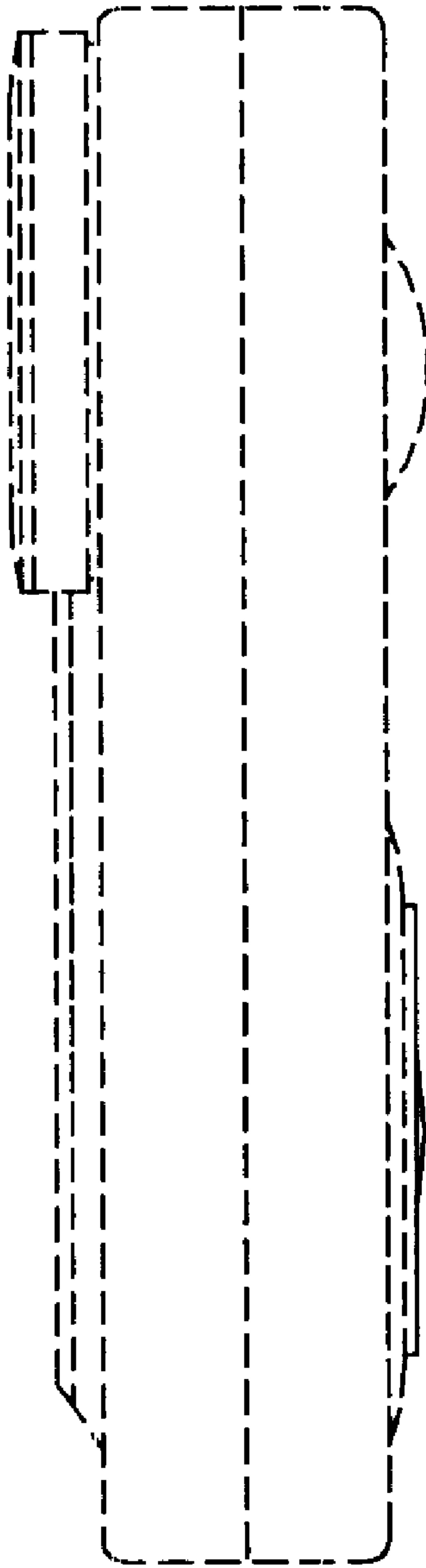


FIG. 4

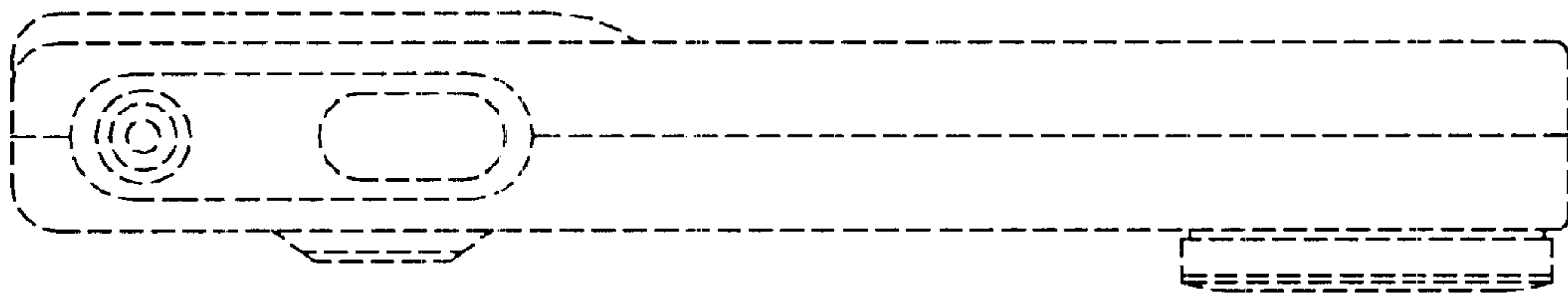


FIG. 5

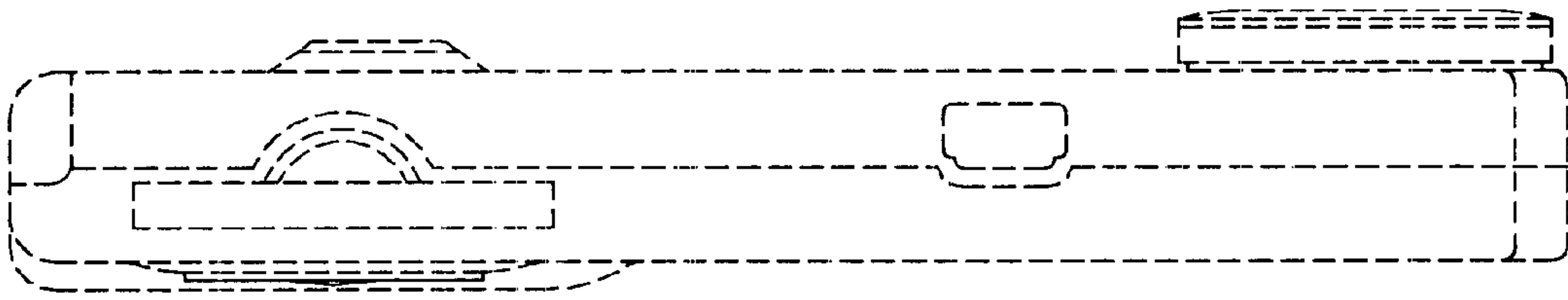


FIG. 6

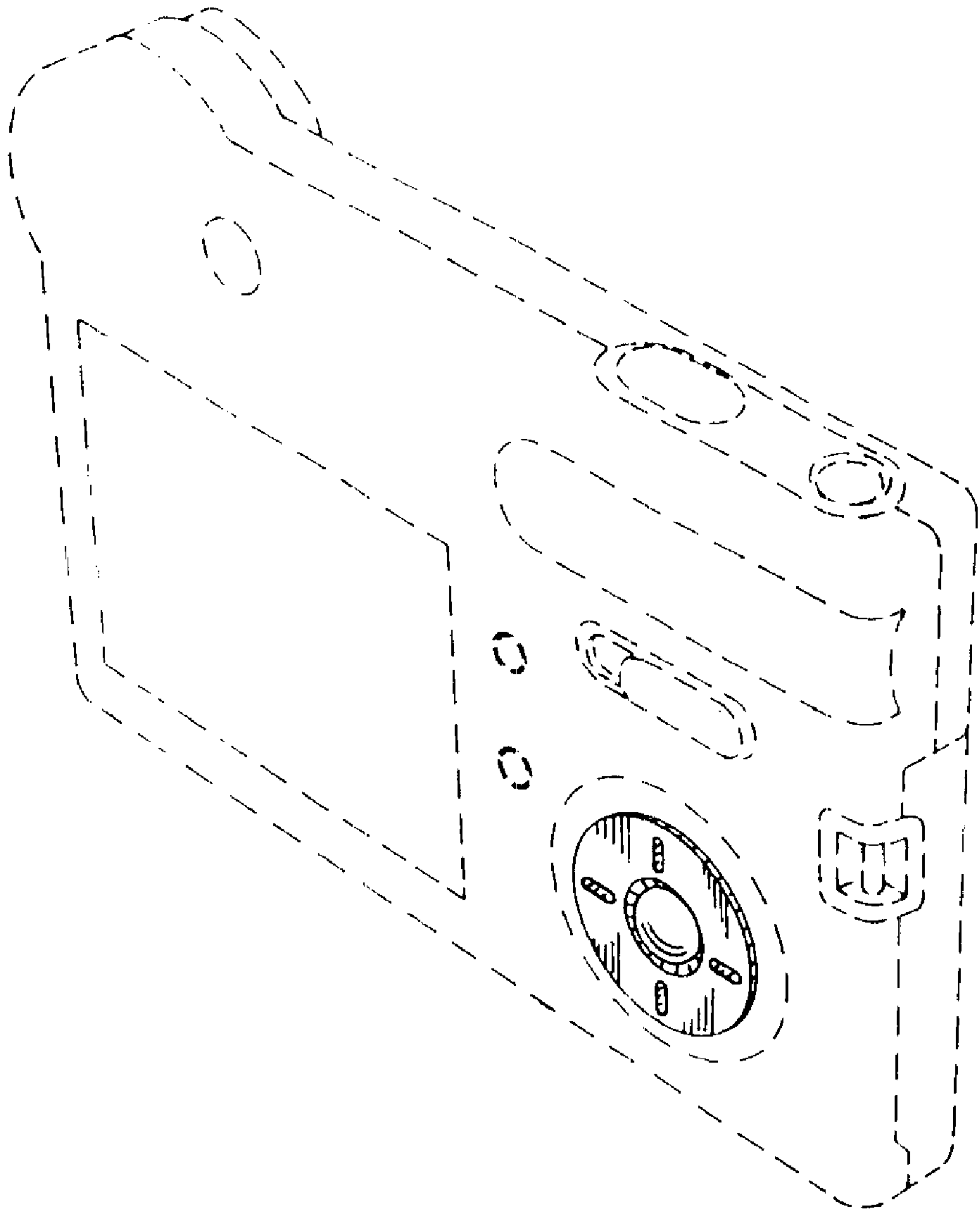


FIG. 7