



US00D482376S

(12) **United States Design Patent**  
**Jeter et al.**

(10) **Patent No.:** **US D482,376 S**

(45) **Date of Patent:** **\*\* Nov. 18, 2003**

(54) **APPARATUS FOR MELTING THERMOPLASTIC MATERIAL**

6,003,732 A \* 12/1999 Farley et al. .... 222/146.5  
D425,530 S 5/2000 Lafitte

(75) Inventors: **David R. Jeter**, Woodstock, GA (US);  
**Daniel J. Suckow**, Alpharetta, GA (US);  
**Robert J. Woodlief**, Suwanee, GA (US);  
**Shane Adam Blyer**, Mableton, GA (US)

(73) Assignee: **Nordson Corporation**, Westlake, OH (US)

(\*\*) Term: **14 Years**

(21) Appl. No.: **29/170,111**

(22) Filed: **Oct. 31, 2002**

(51) **LOC (7) Cl.** ..... **15-09**

(52) **U.S. Cl.** ..... **D15/144**

(58) **Field of Search** ..... D15/144, 144.1,  
D15/144.2; 219/421; 222/146.5, 152, 156,  
189.06, 389, 386, 397, 405

(56) **References Cited**

**U.S. PATENT DOCUMENTS**

D270,353 S 8/1983 Lewellen  
D276,617 S 12/1984 Scholl et al.  
D360,422 S 7/1995 Frates et al.  
D388,800 S \* 1/1998 Zook et al. .... D15/144  
5,971,211 A \* 10/1999 Farley et al. .... 222/146.5

**OTHER PUBLICATIONS**

1996 Adhesives and Sealants Equipment Catalog; Nordson Corporation; pp. 1-1 to 1-84; 2-i to 2-9; and 13-20.  
Packaging Newslines; ITW (brochure).  
Slautterback® HotMelt Applicator Systems; 1996.  
NCG Hotmelt Equipment; Airprint Systems, Inc.; (brochure).  
The Valco Hot Melt System; Valco Cincinnati; (brochure).

\* cited by examiner

*Primary Examiner*—Antoine Duval Davis

(74) *Attorney, Agent, or Firm*—Raymond J. Slattery, III

(57) **CLAIM**

The ornamental design for an apparatus for melting thermoplastic material, as shown and described.

**DESCRIPTION**

FIG. 1 is a front elevational view of an apparatus for melting thermoplastic material according to a first embodiment of our new design;

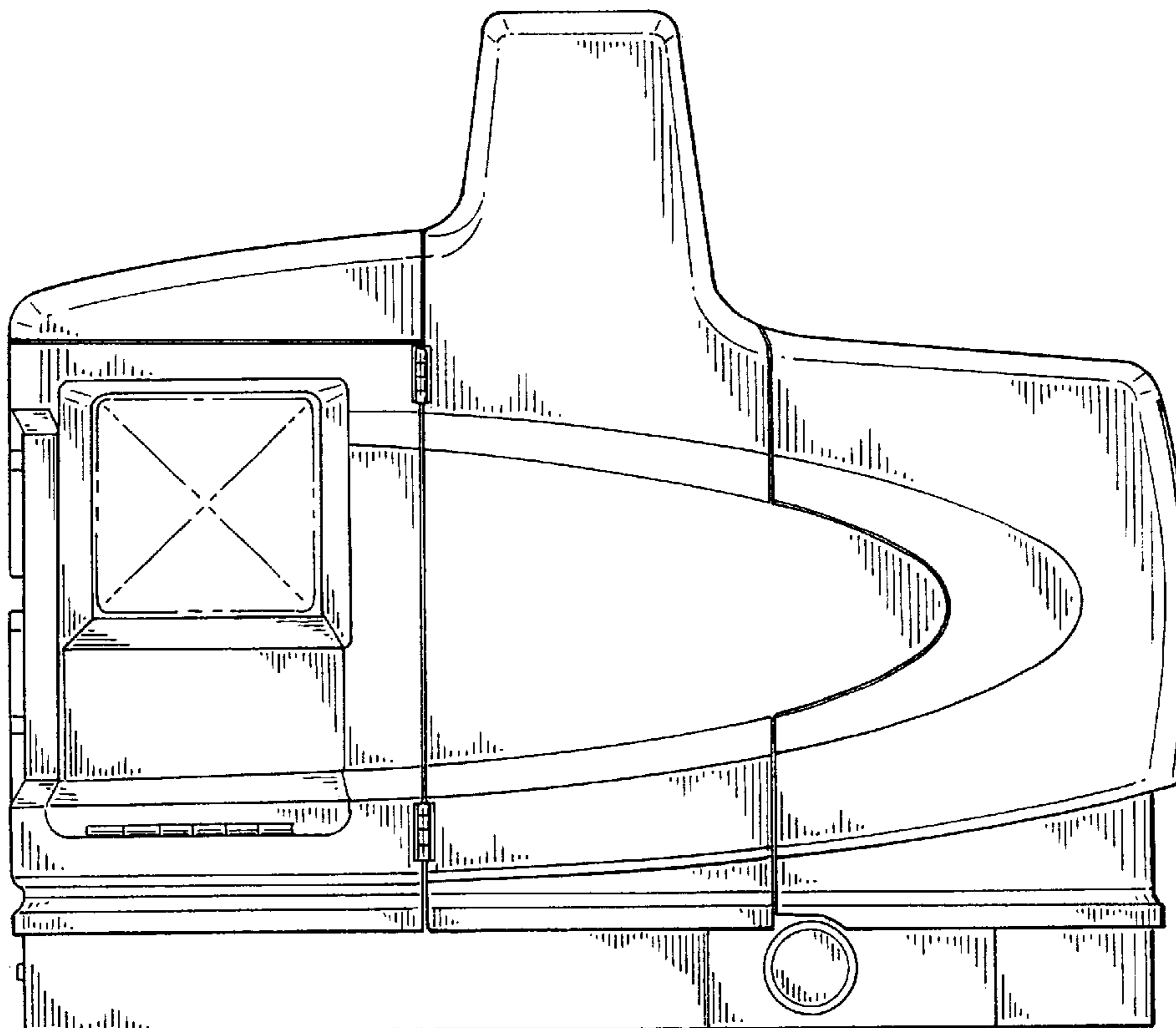
FIG. 2 is a right side elevational view thereof;

FIG. 3 is a rear elevational view thereof

FIG. 4 is a left side elevational view thereof; and,

FIG. 5 is a top plan elevational view.

**1 Claim, 3 Drawing Sheets**



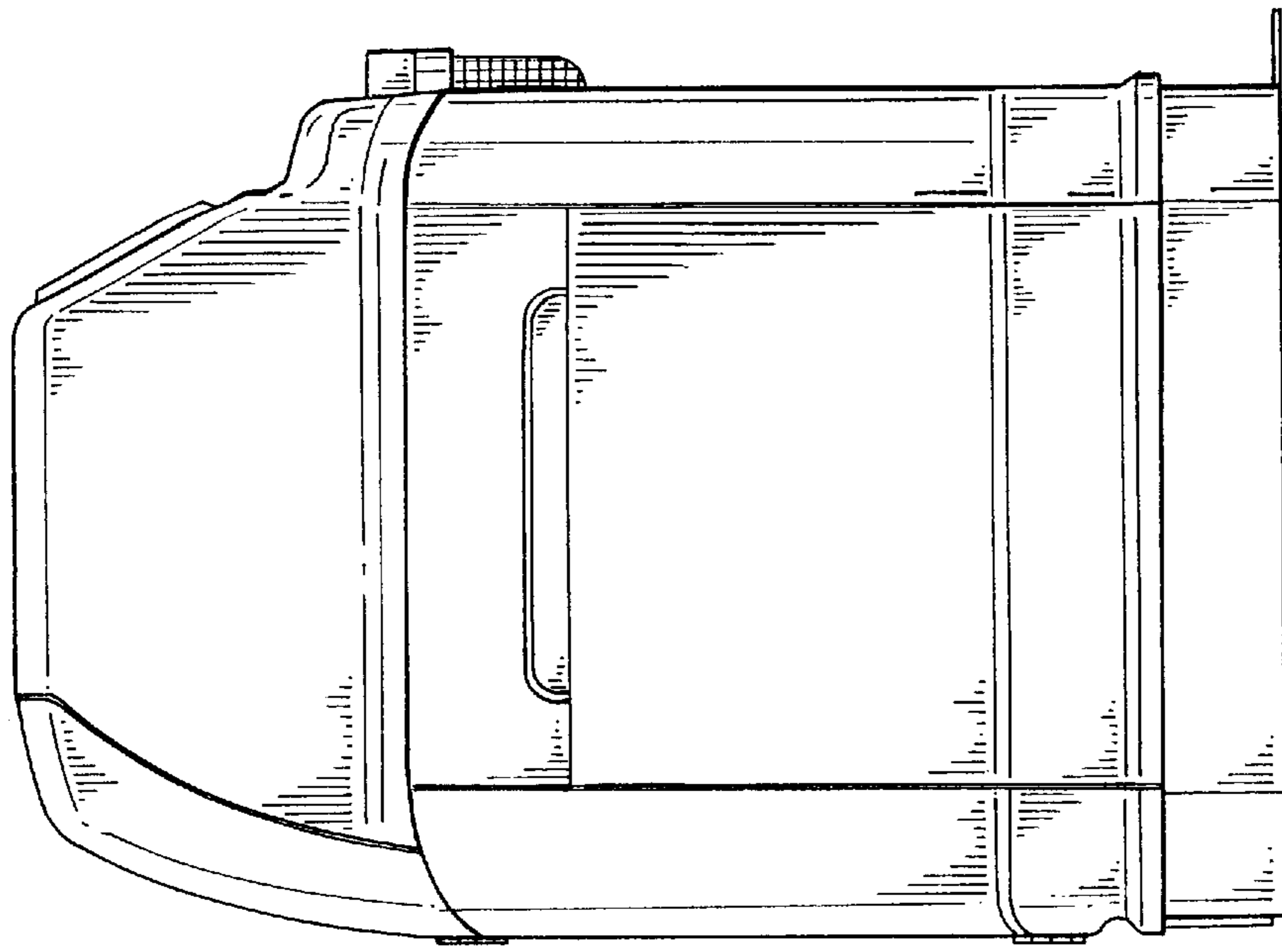


FIG. -2

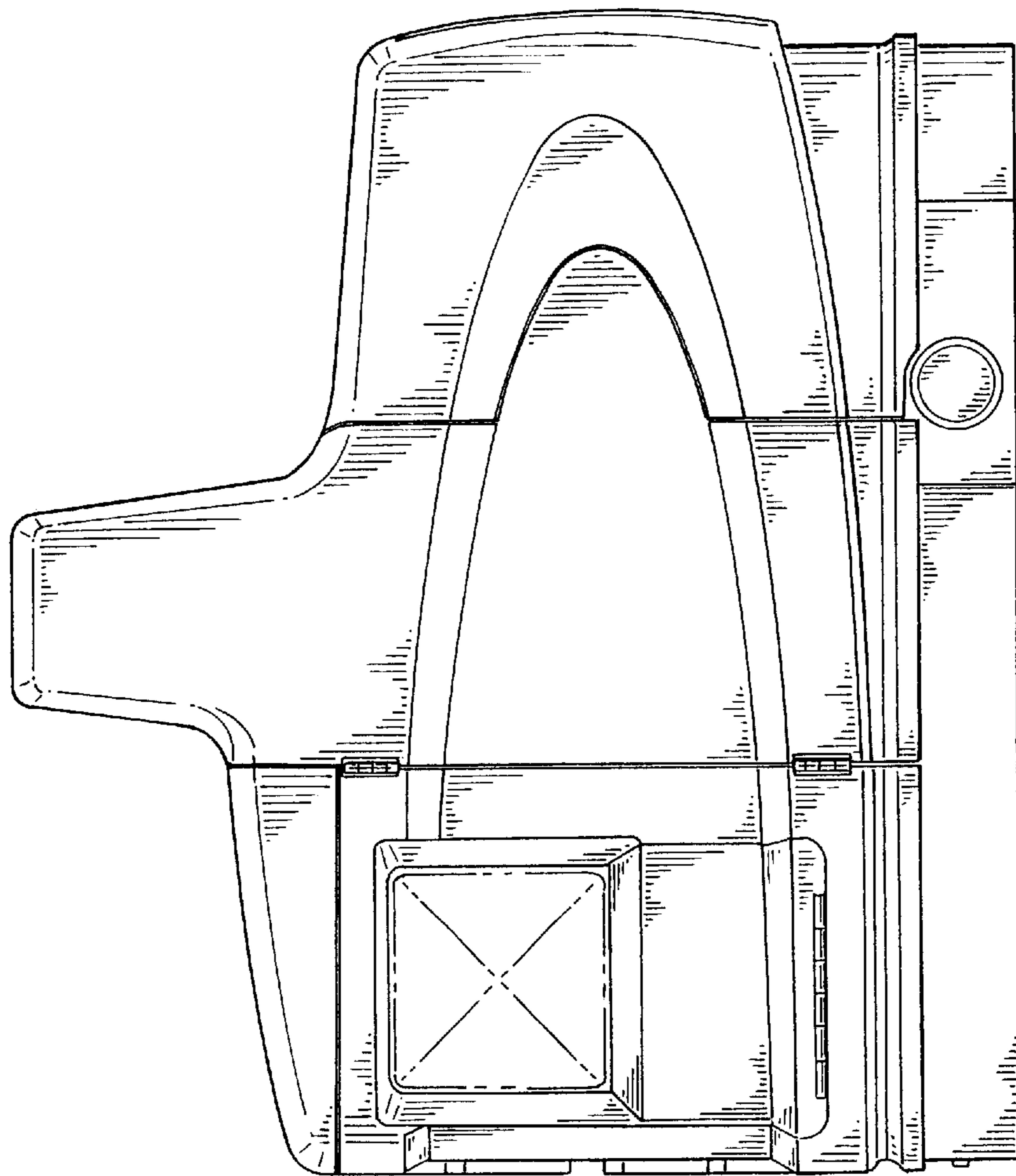


FIG. -1

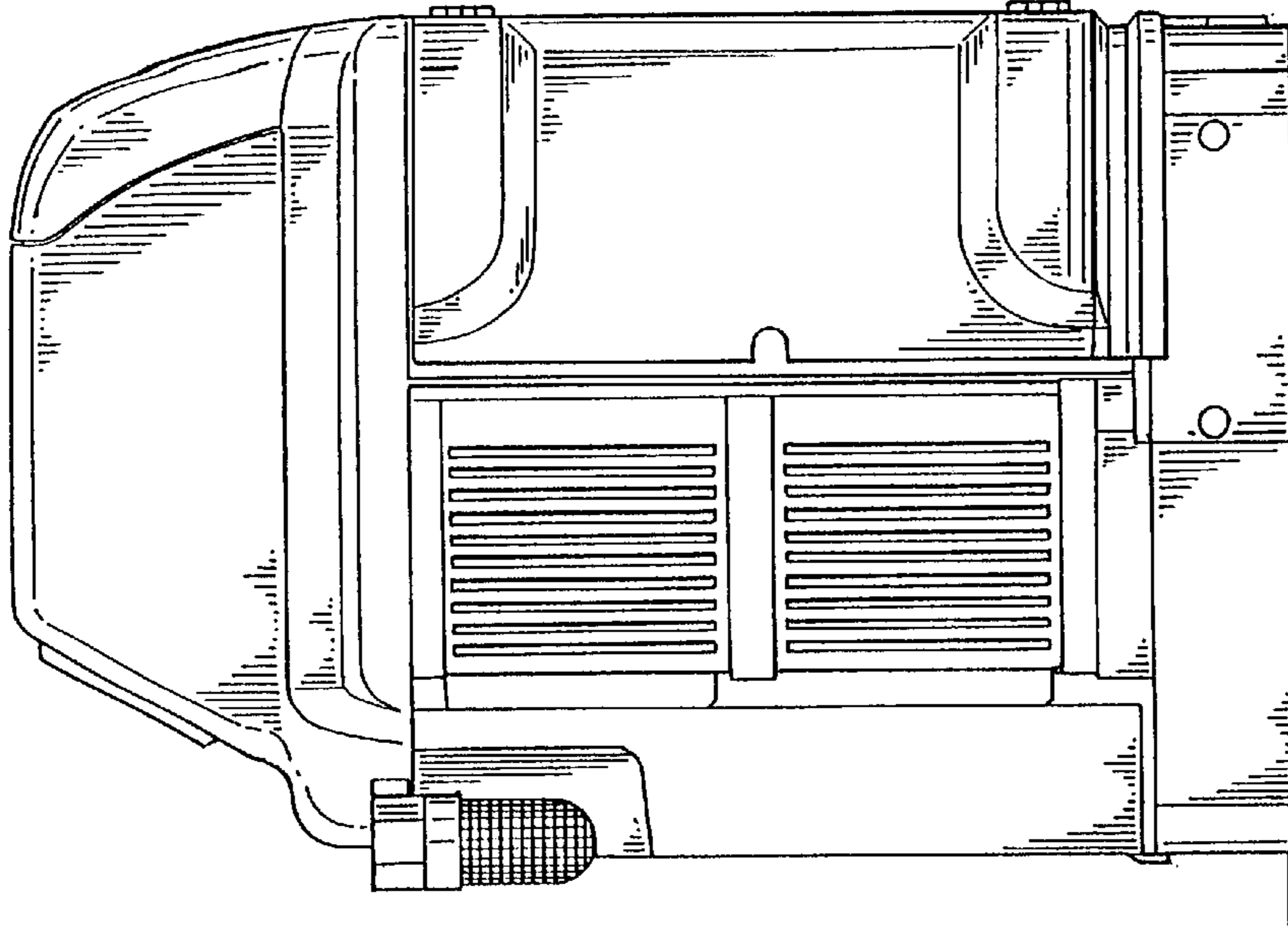


FIG. -4

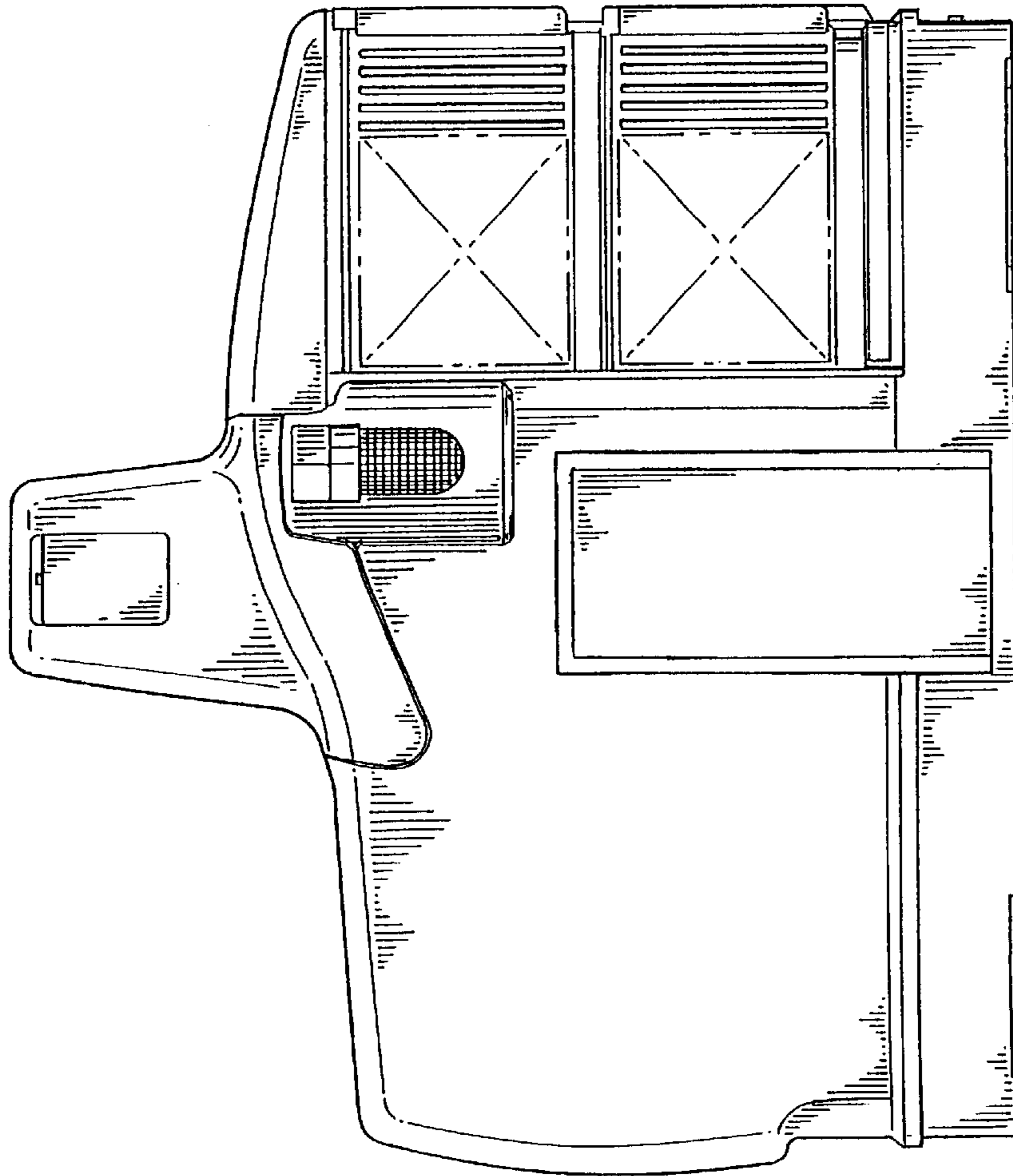


FIG. -3

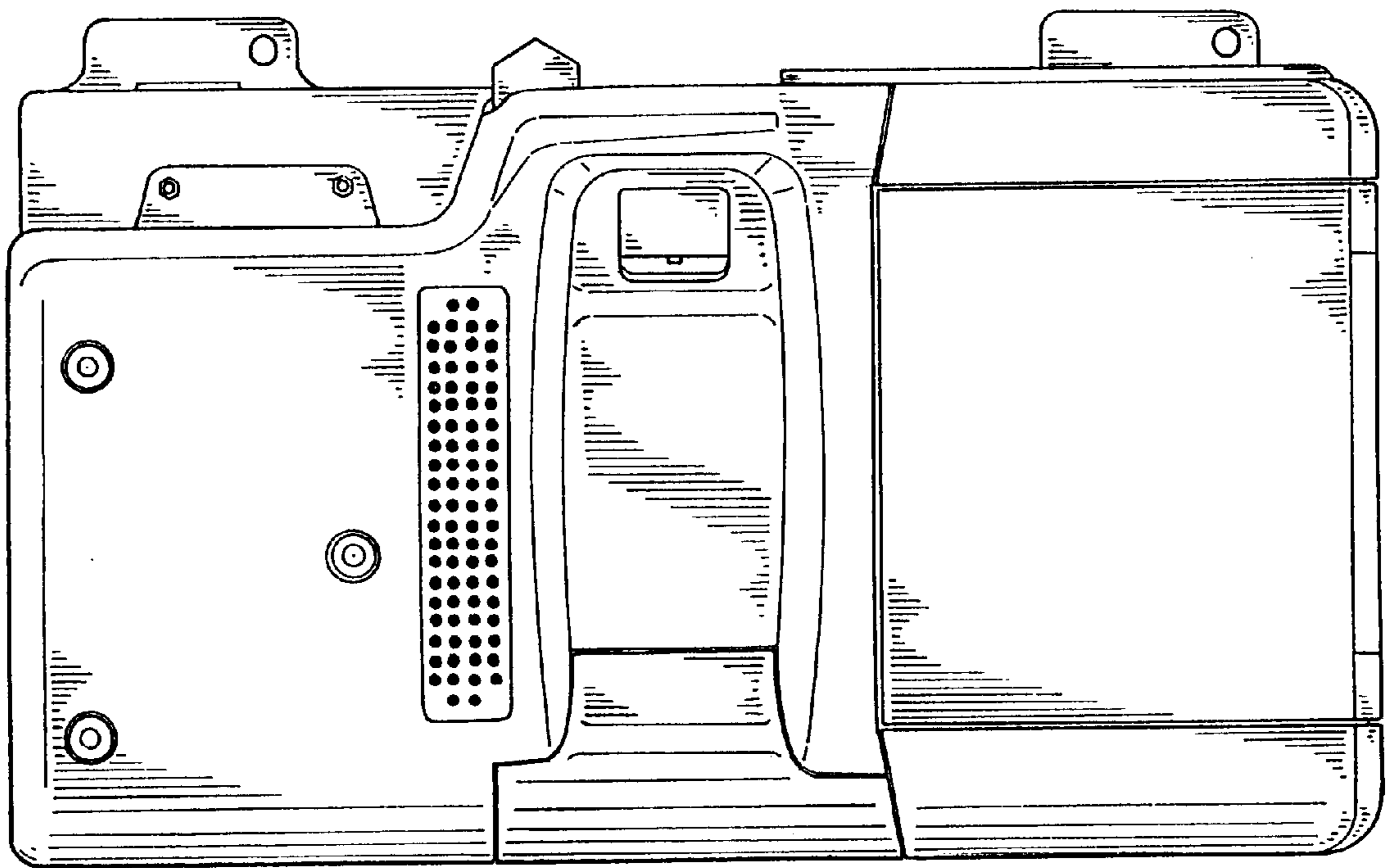


FIG.-5