



US00D482371S

(12) **United States Design Patent**
Buck

(10) **Patent No.:** **US D482,371 S**

(45) **Date of Patent:** **** Nov. 18, 2003**

(54) **HAND PORTABLE AIR COMPRESSOR**

(75) Inventor: **John E. Buck**, Cockeysville, MD (US)

(73) Assignee: **Black & Decker Inc.**, Newark, DE (US)

(**) Term: **14 Years**

(21) Appl. No.: **29/152,416**

(22) Filed: **Dec. 17, 2001**

Related U.S. Application Data

(63) Continuation-in-part of application No. 29/136,877, filed on Feb. 8, 2001, now Pat. No. Des. 461,196.

(51) **LOC (7) Cl.** **15-02**

(52) **U.S. Cl.** **D15/9**

(58) **Field of Search** D15/7-9; 417/234, 417/235, 360, 415; D26/38; 248/645

(56) **References Cited**

U.S. PATENT DOCUMENTS

2,434,675 A	1/1948	Simpson
D170,330 S	9/1953	Miller
D273,493 S	4/1984	Vitaloni
D273,789 S	5/1984	Davis
D273,958 S	5/1984	Mariol
D275,291 S	8/1984	Dunlap
D293,447 S	12/1987	Hefling
D293,682 S	1/1988	Liou
D296,104 S	6/1988	Hung
D301,247 S	5/1989	Prevosto
D327,891 S	7/1992	Morgan
D328,465 S	8/1992	Schwartz et al.

D352,295 S	11/1994	Morgan
D382,883 S	8/1997	Breitzman et al.
D403,330 S	12/1998	Williams
D403,331 S	12/1998	Williams
D409,627 S	5/1999	Wang
D440,578 S	4/2001	Nolan
D444,796 S	7/2001	Morgan
D444,797 S	7/2001	Davis et al.
D452,253 S	* 12/2001	Matthew et al. D15/9

FOREIGN PATENT DOCUMENTS

FR	1140265	7/1957
FR	1263641	5/1961

* cited by examiner

Primary Examiner—Ralf Seifert

(74) *Attorney, Agent, or Firm*—Michael P. Leary; Charles E. Yocum; John D. DelPonti

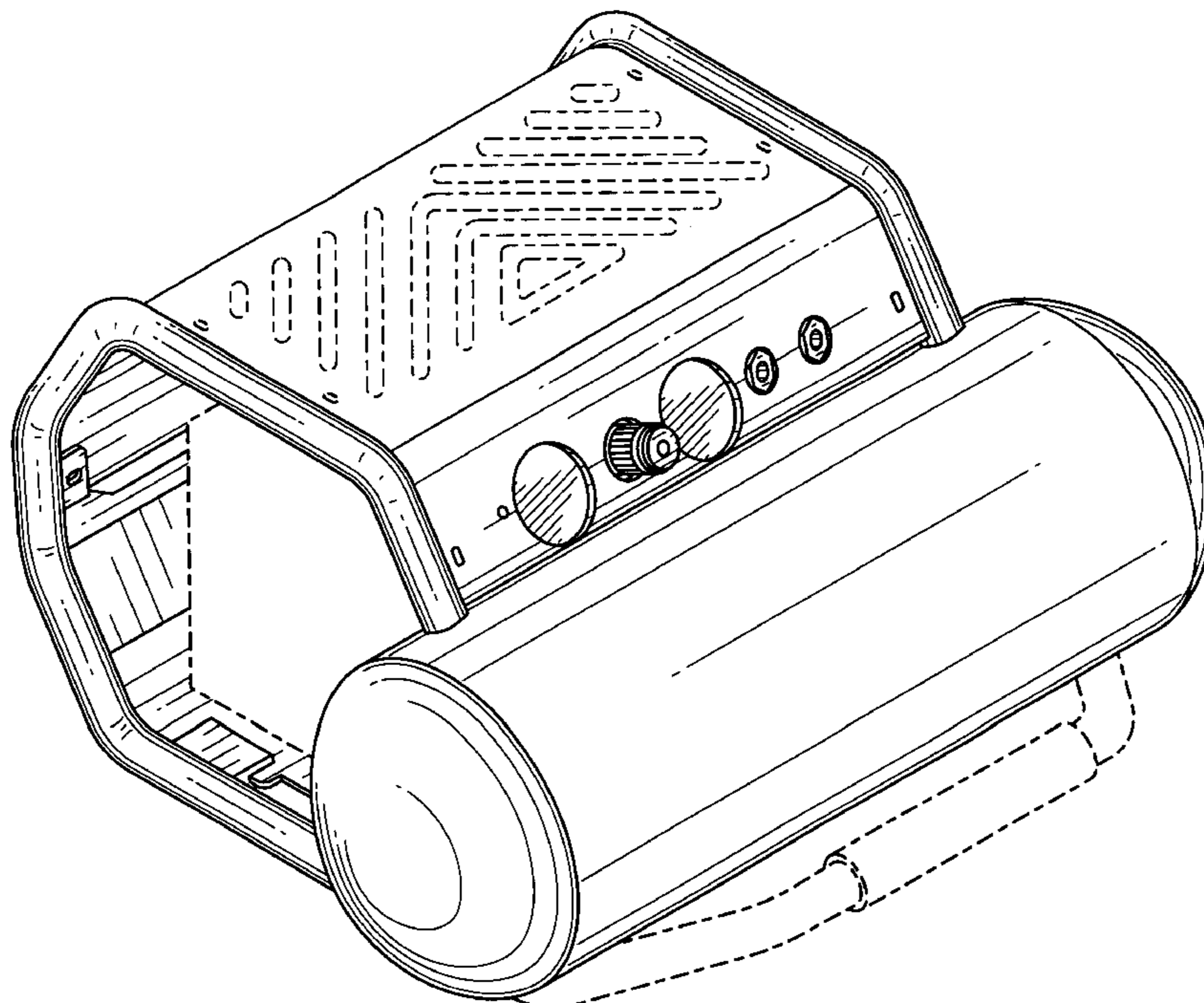
(57) **CLAIM**

The ornamental design for a hand portable air compressor, as shown and described.

DESCRIPTION

FIG. 1 is a front perspective view of a hand portable air compressor showing my new design. FIG. 2 is a front elevational view thereof. FIG. 3 is a rear elevational view thereof. FIG. 4 is a right side elevational view thereof. FIG. 5 is a left side elevational view thereof. FIG. 6 is a top plan view thereof; and, FIG. 7 is a bottom plan view thereof. The broken line showing is for illustrative purposes only and forms no part of the claimed design.

1 Claim, 7 Drawing Sheets



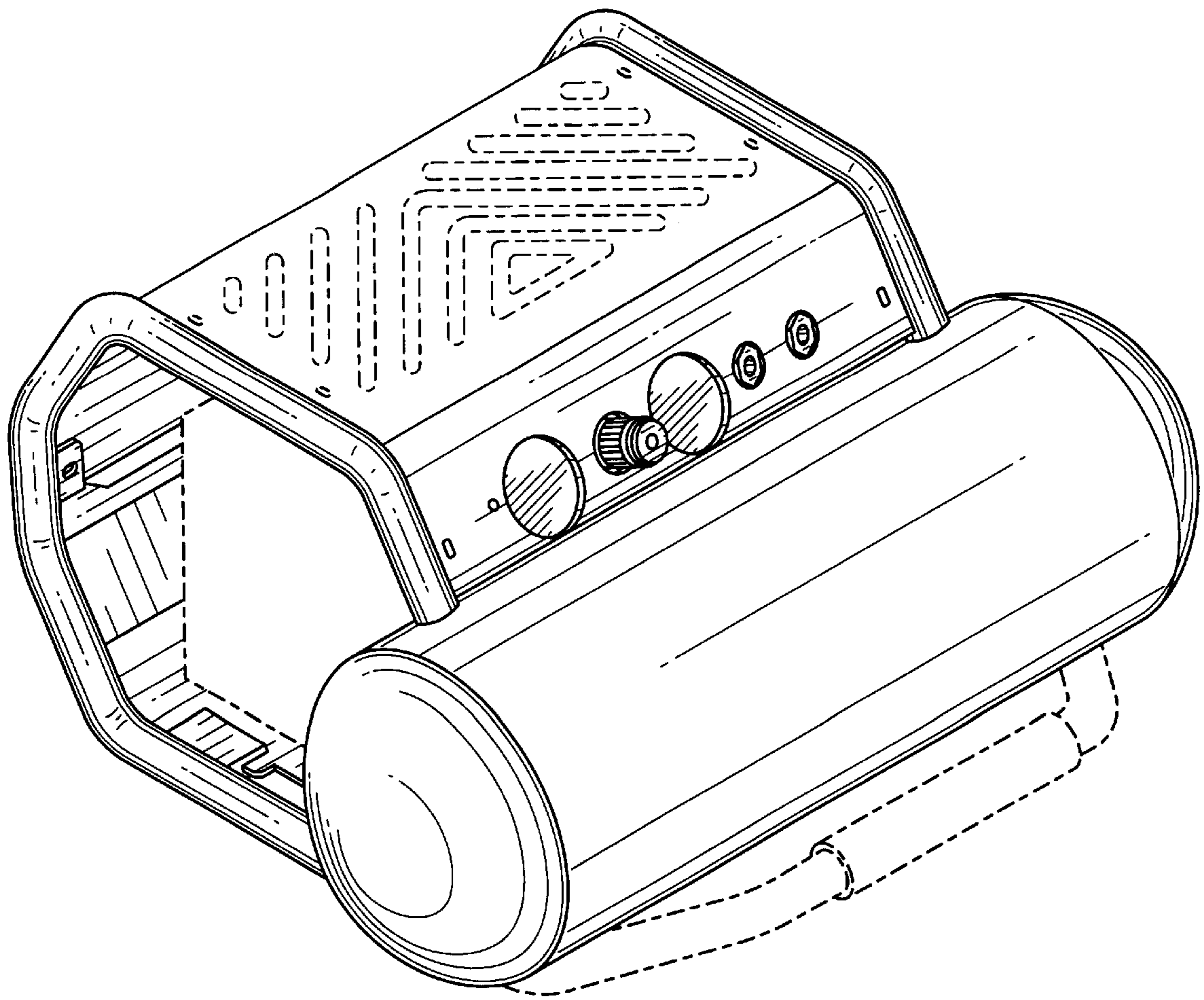


FIG. 1

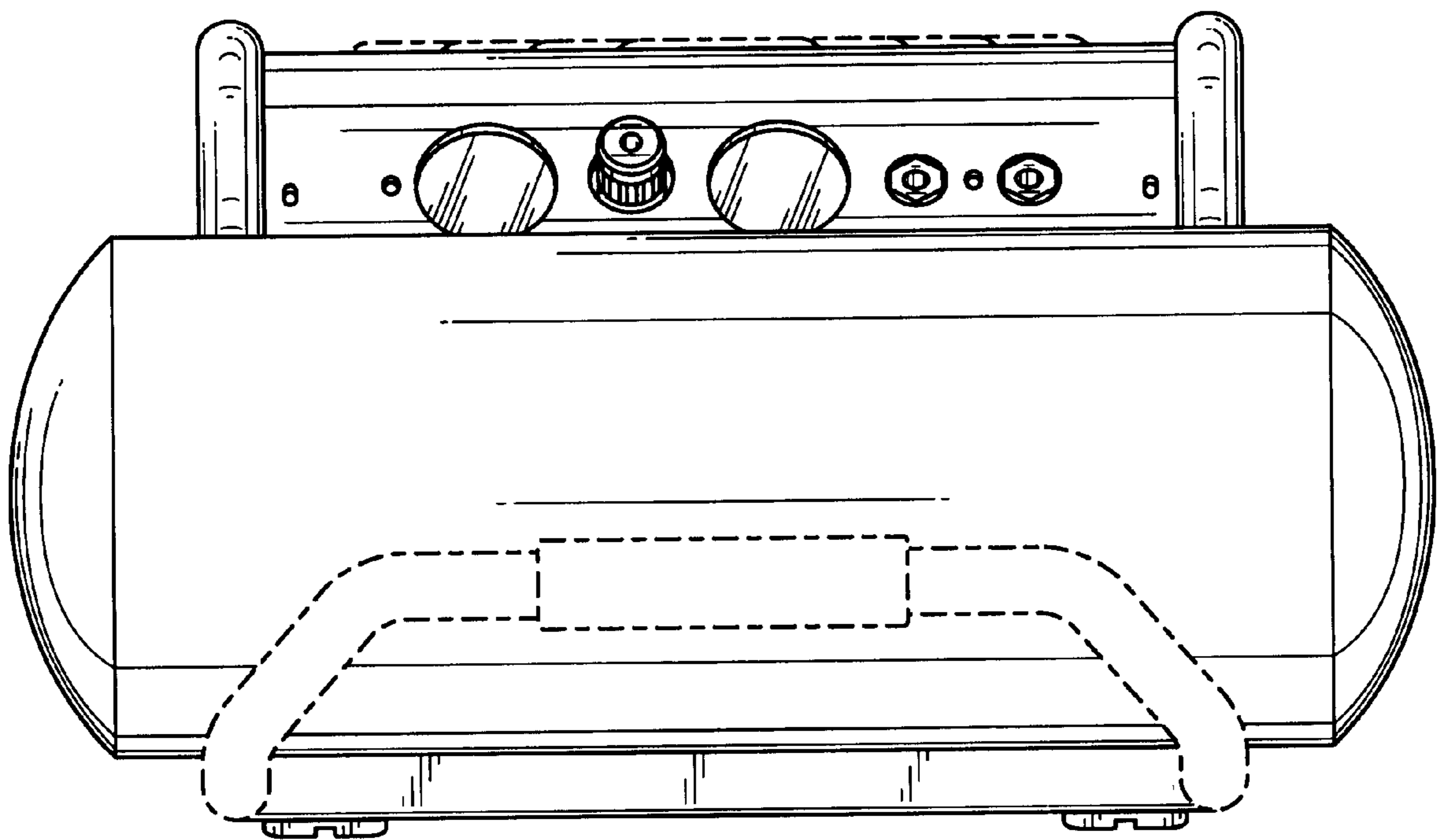


FIG. 2

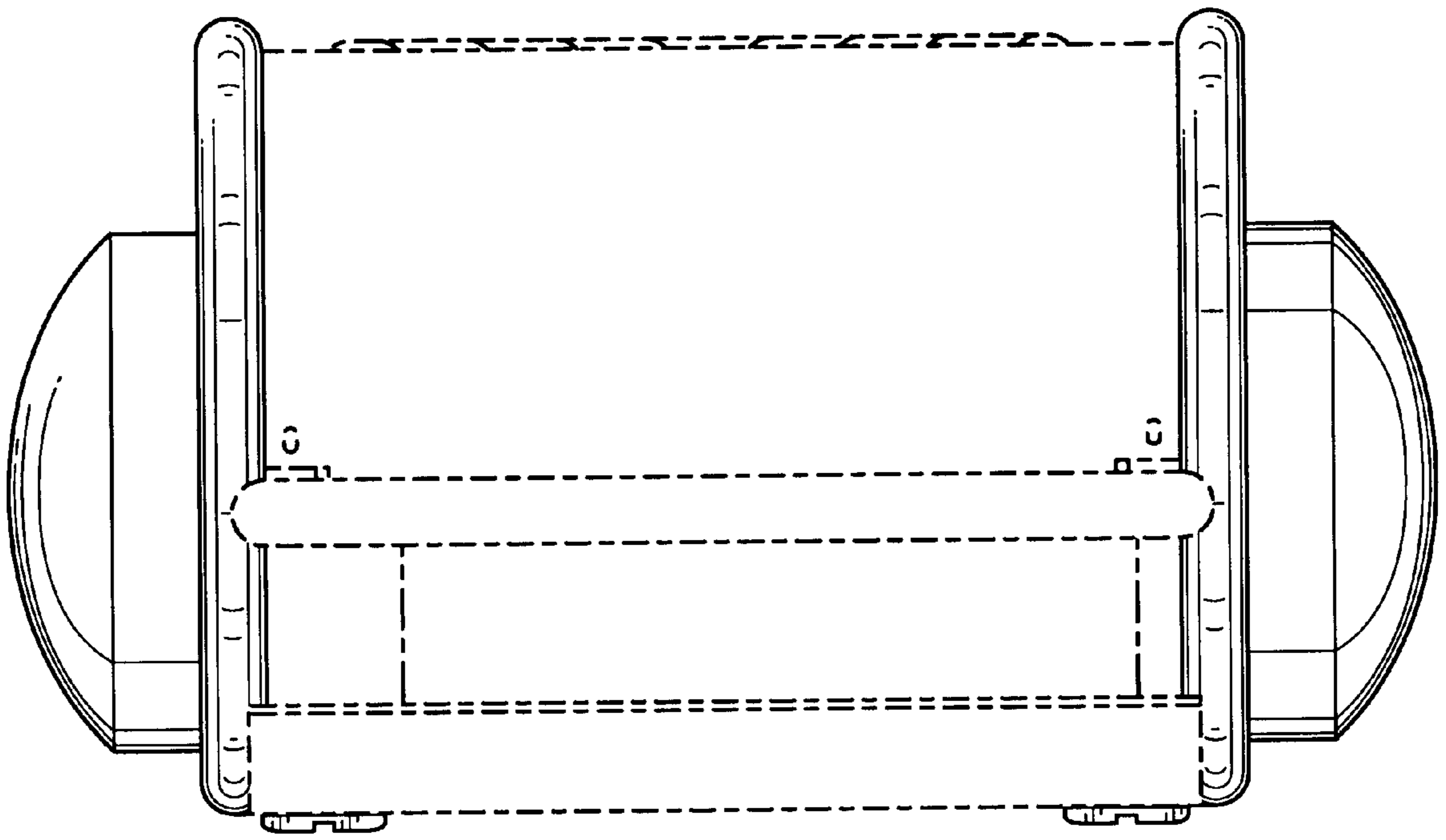


FIG. 3

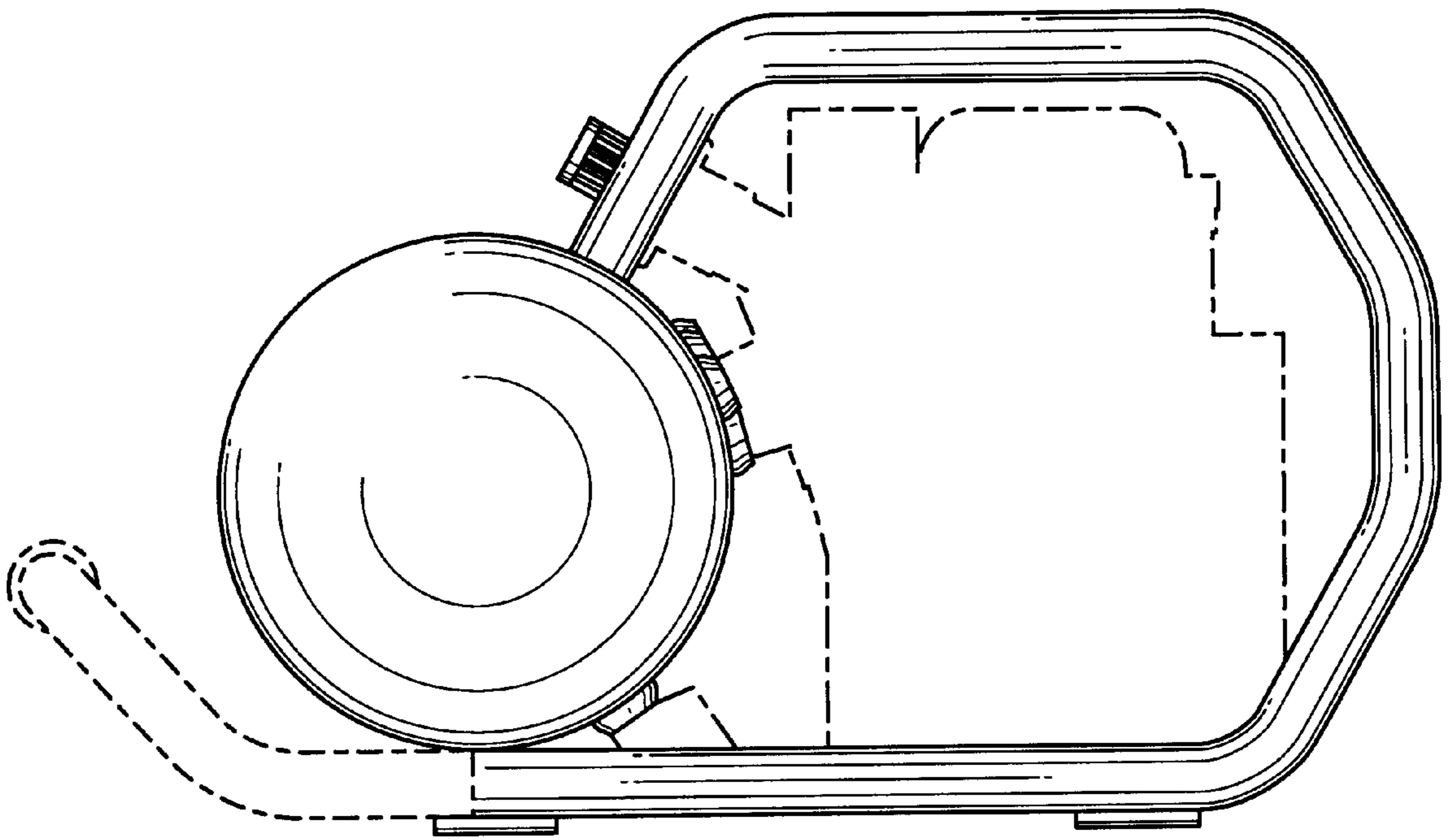


FIG. 4

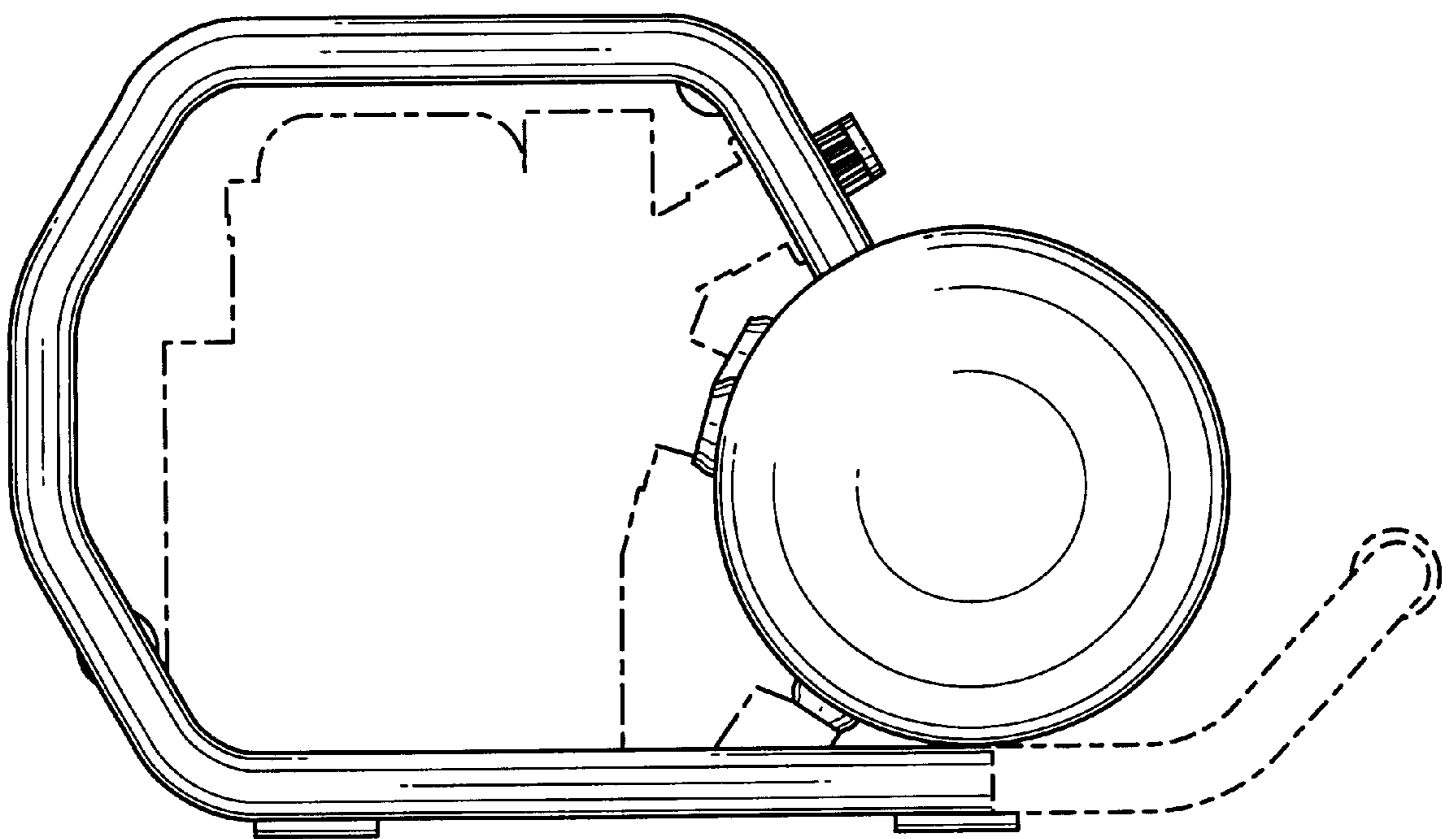


FIG. 5

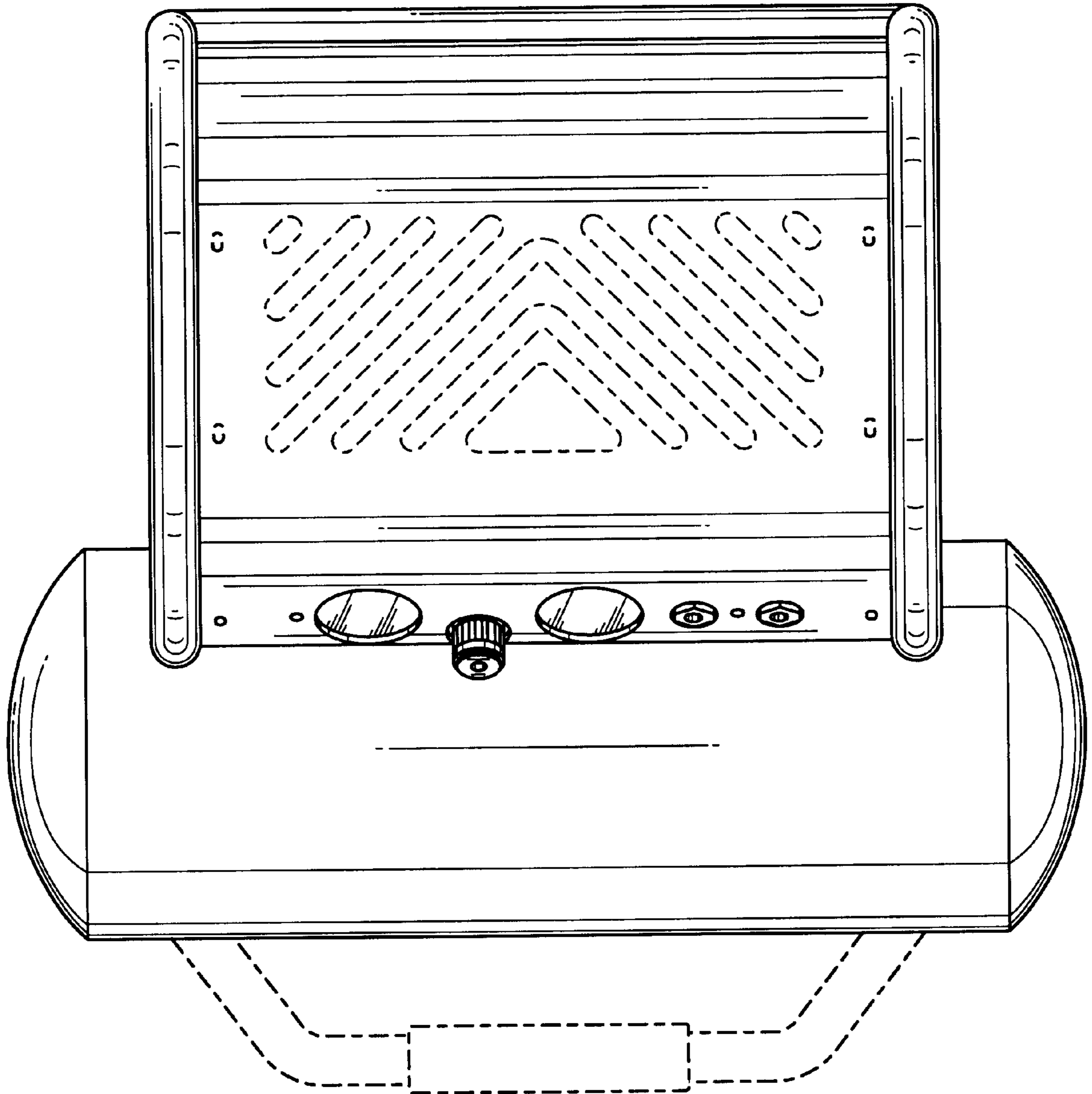


FIG. 6

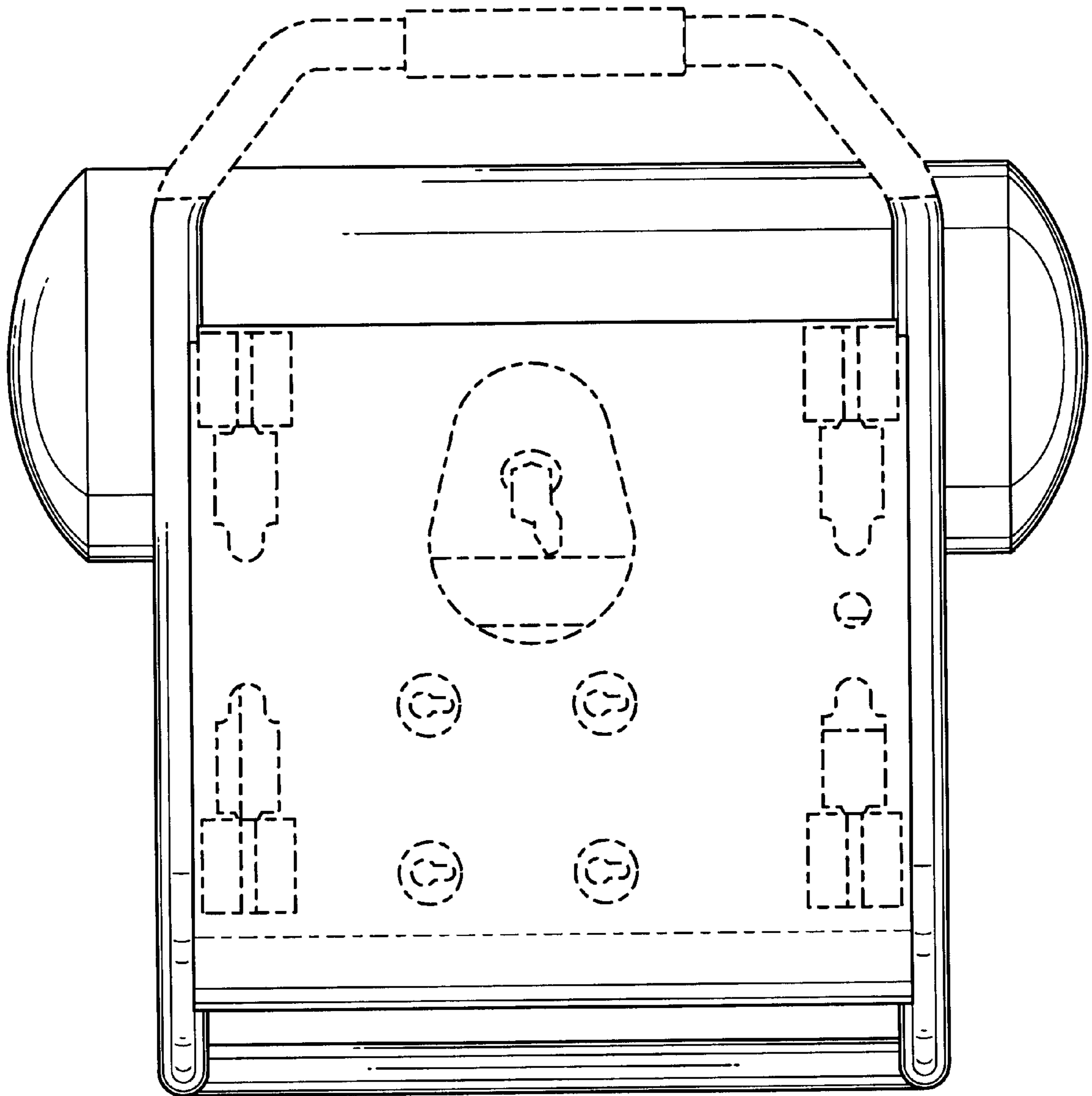


FIG. 7