



US00D482369S

(12) **United States Design Patent**
Matuschek

(10) **Patent No.:** **US D482,369 S**

(45) **Date of Patent:** **** Nov. 18, 2003**

(54) **HOUSING FOR AN ELECTRONIC DEVICE**

D452,513 S * 12/2001 Uehara D14/496
D466,884 S * 12/2002 Clayton D14/496

(75) Inventor: **Walter Matuschek**, Aalen (DE)

* cited by examiner

(73) Assignee: **Carl-Zeiss-Stiftung**, Heidenheim-Brenz (DE)

Primary Examiner—Prabhakar Deshmukh
(74) *Attorney, Agent, or Firm*—Walter Ottesen

(**) Term: **14 Years**

(57) **CLAIM**

(21) Appl. No.: **29/171,002**

The ornamental design for a housing for an electronic device, as shown and described.

(22) Filed: **Nov. 15, 2002**

(30) **Foreign Application Priority Data**

Jun. 13, 2002 (DE) 402 04 841

(51) **LOC (7) Cl.** **14-03**

(52) **U.S. Cl.** **D14/496**

(58) **Field of Search** D14/496, 125;
273/324–332; 223/148 B; 463/1, 30–35,
46, 47, 48, 44; 345/156, 157, 903, 905

(56) **References Cited**

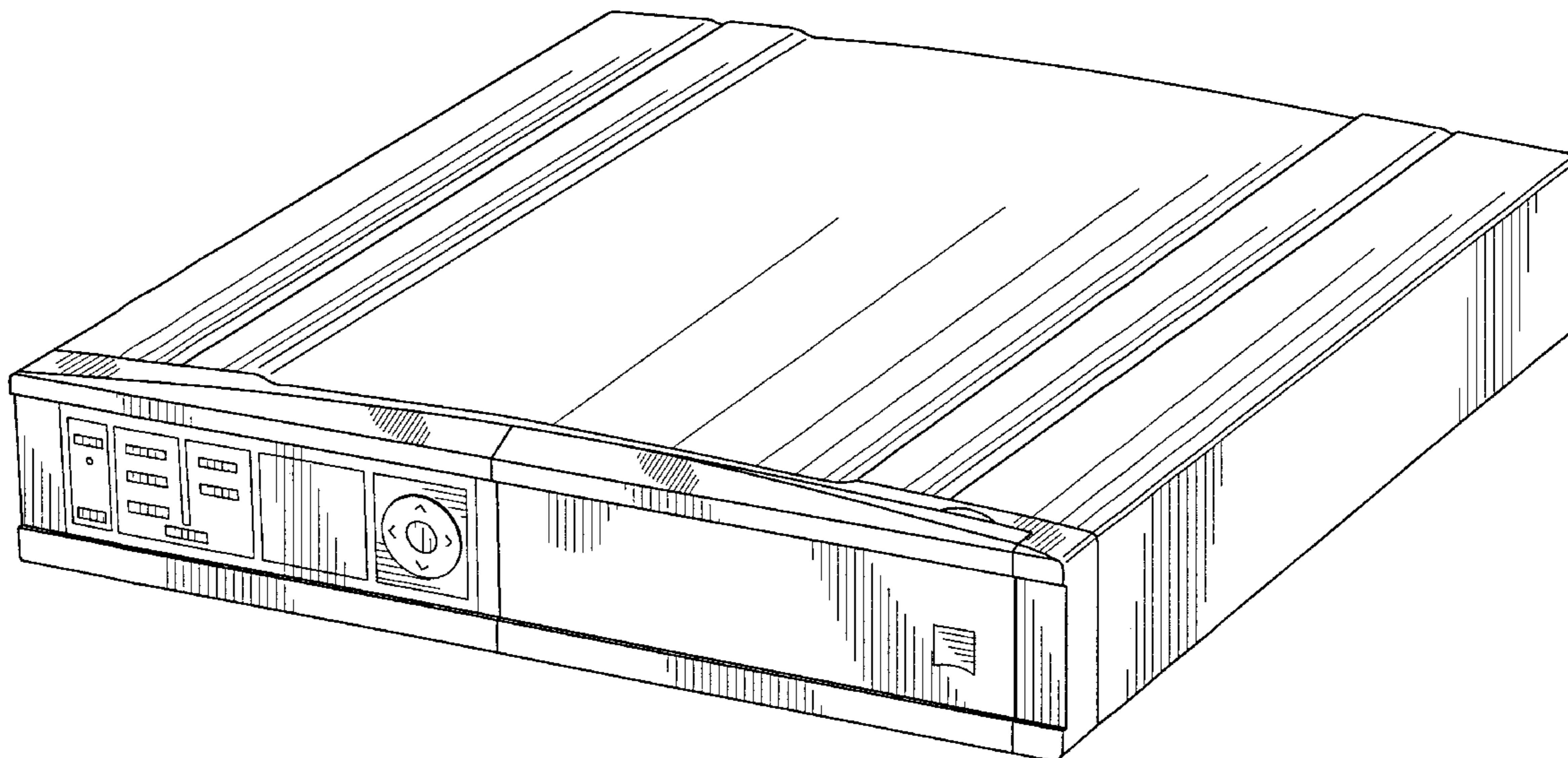
U.S. PATENT DOCUMENTS

- 4,422,105 A * 12/1983 Rodesch et al. 345/723
- D297,007 S * 8/1988 Pushelberg D14/496
- 5,192,082 A * 3/1993 Inoue et al. 463/44
- 5,259,626 A * 11/1993 Ho 345/157
- 5,766,077 A * 6/1998 Hongo 273/148 B
- D420,661 S * 2/2000 Shintani et al. D14/496

DESCRIPTION

FIG. 1 is a perspective front view of a housing for an electronic device of my new design according to a first embodiment thereof;
 FIG. 2 is another perspective front view of said housing of FIG. 1;
 FIG. 3 is a perspective rear view of said housing of FIG. 1;
 FIG. 4 is a bottom view of said housing of FIG. 1;
 FIG. 5 is a perspective front view of a housing for an electronic device of my new design according to a second embodiment thereof;
 FIG. 6 is another perspective front view of said housing of FIG. 5;
 FIG. 7 is a perspective rear view of said housing of FIG. 5;
 and,
 FIG. 8 is a bottom view of said housing of FIG. 5.

1 Claim, 8 Drawing Sheets



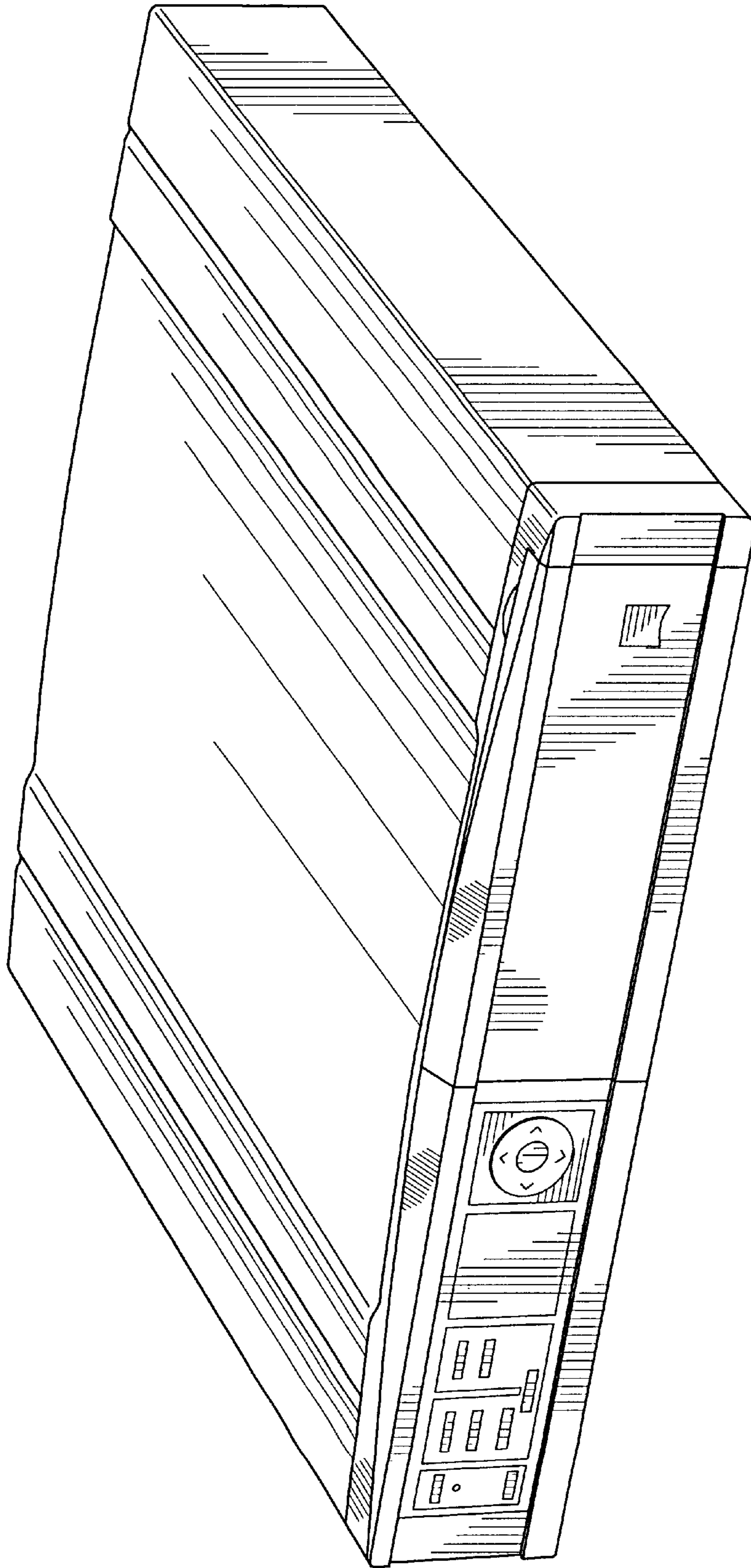


FIG. 1

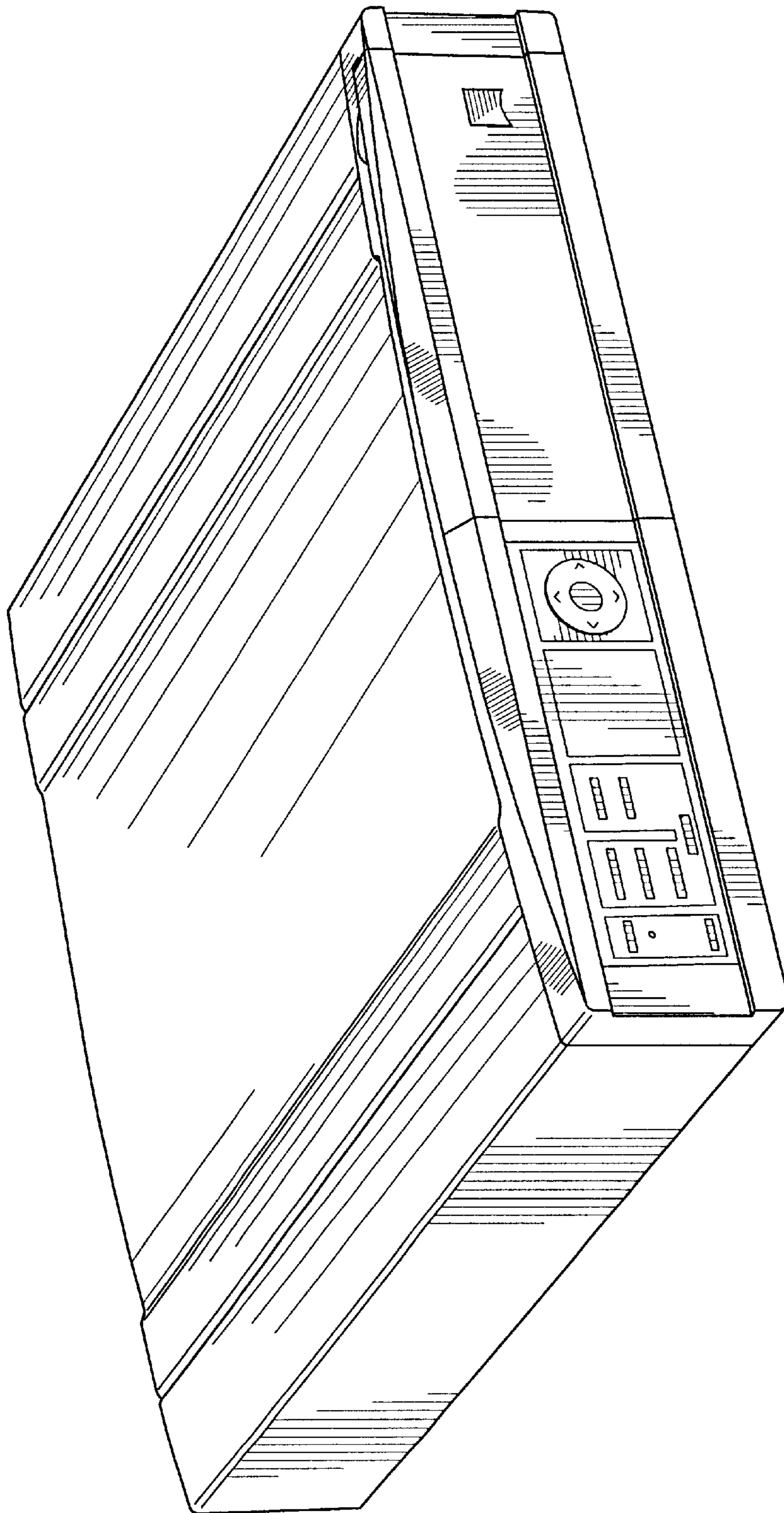


FIG. 2

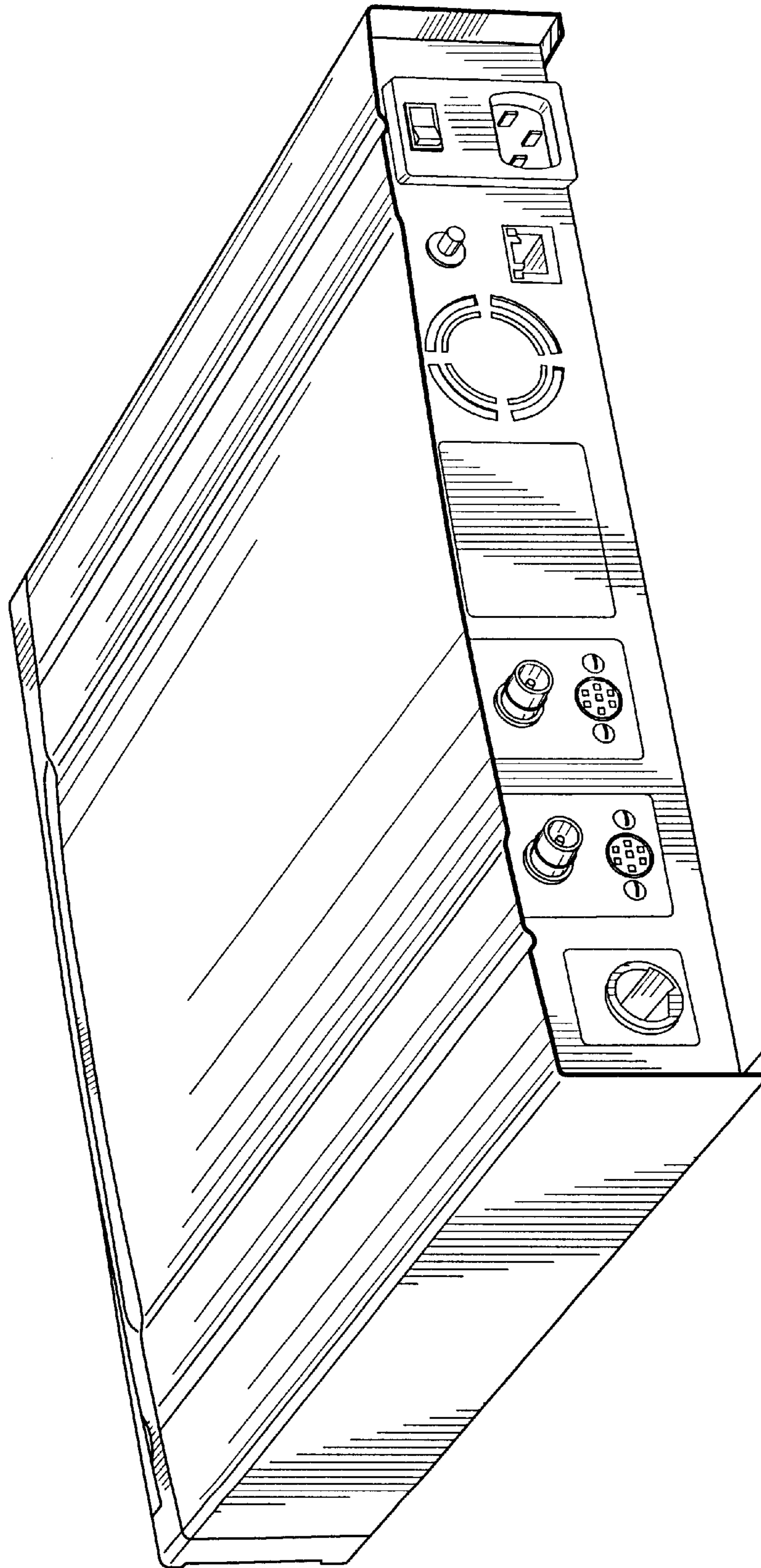


FIG. 3

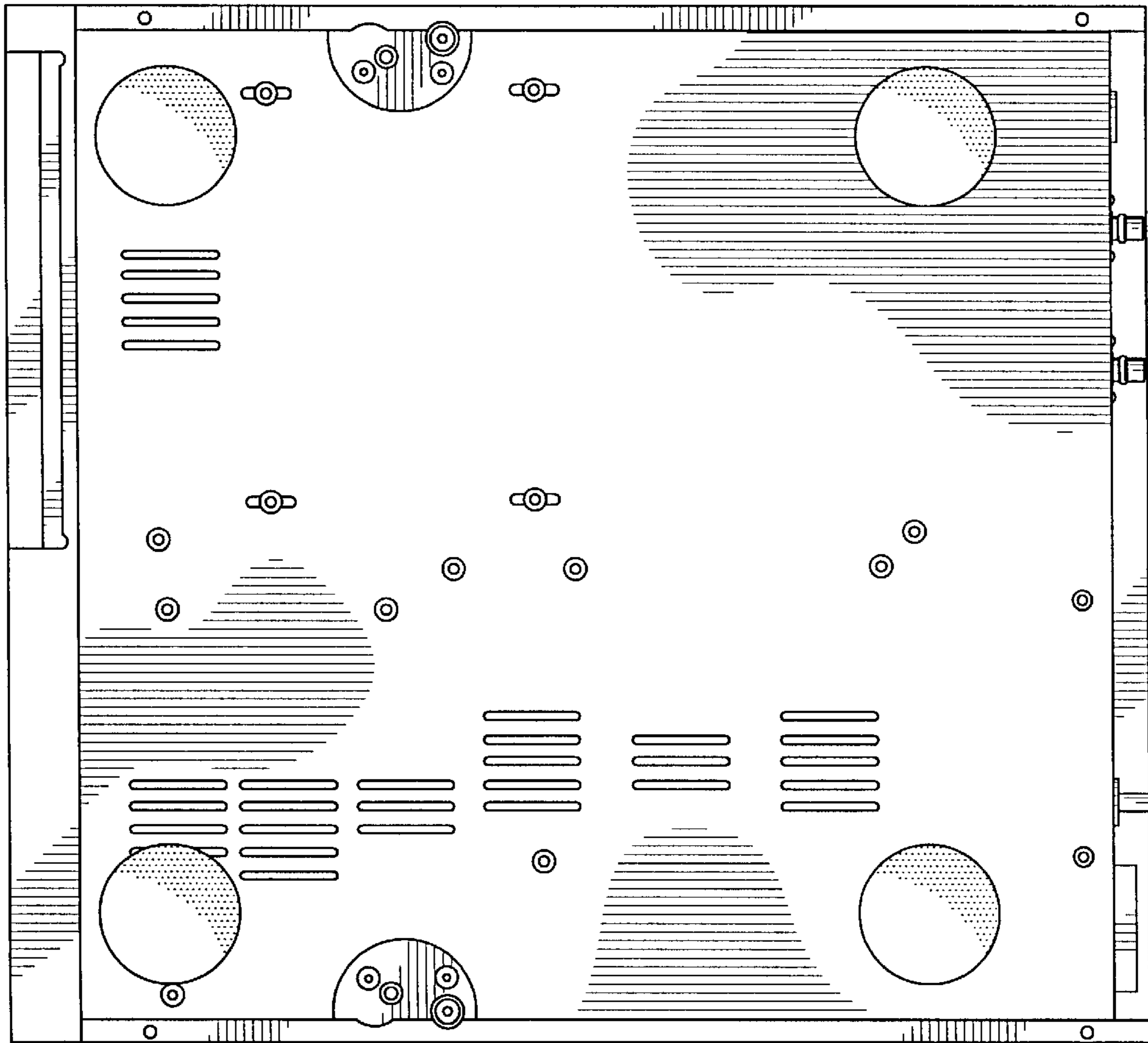


FIG. 4

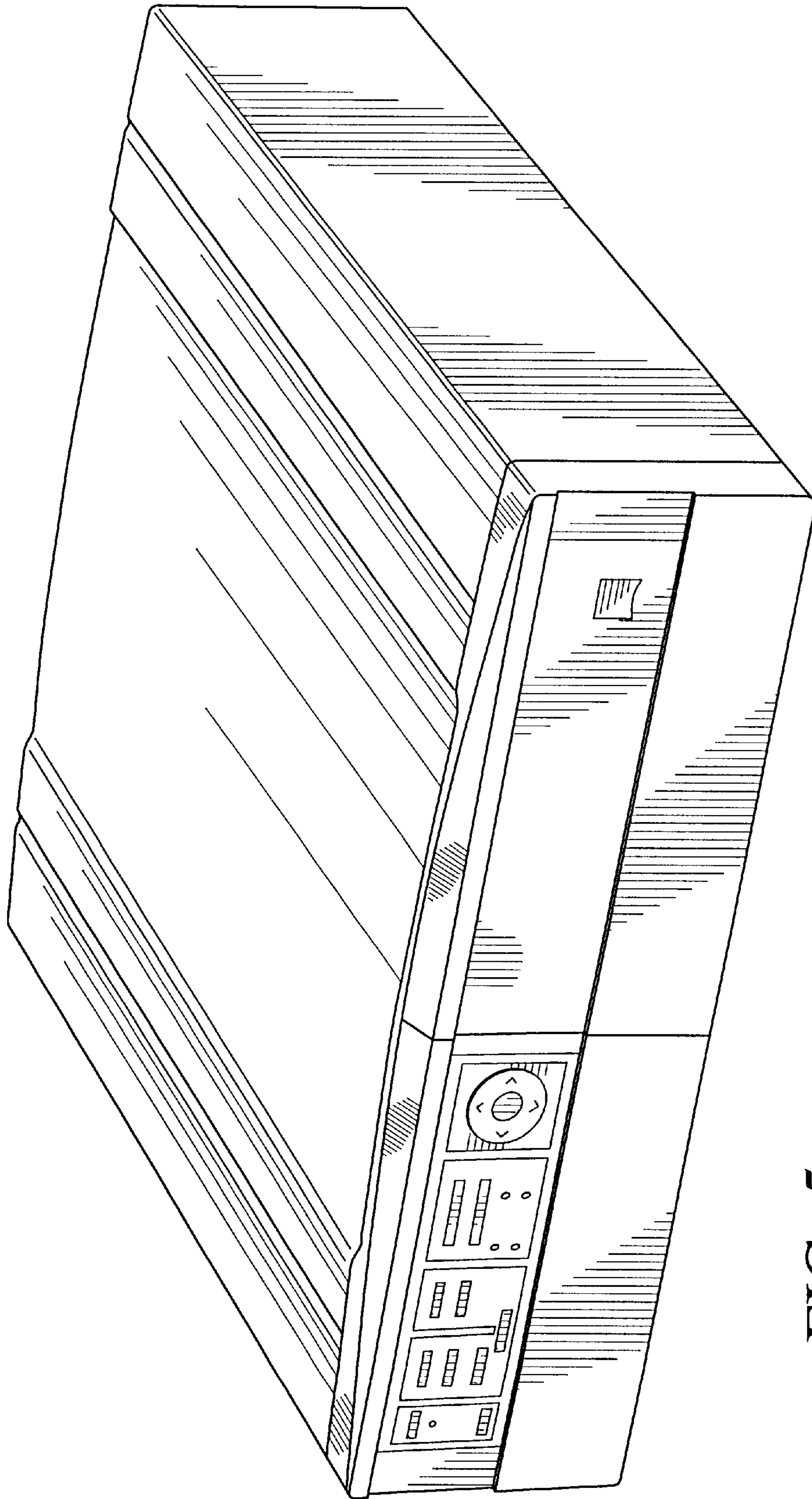


FIG. 5

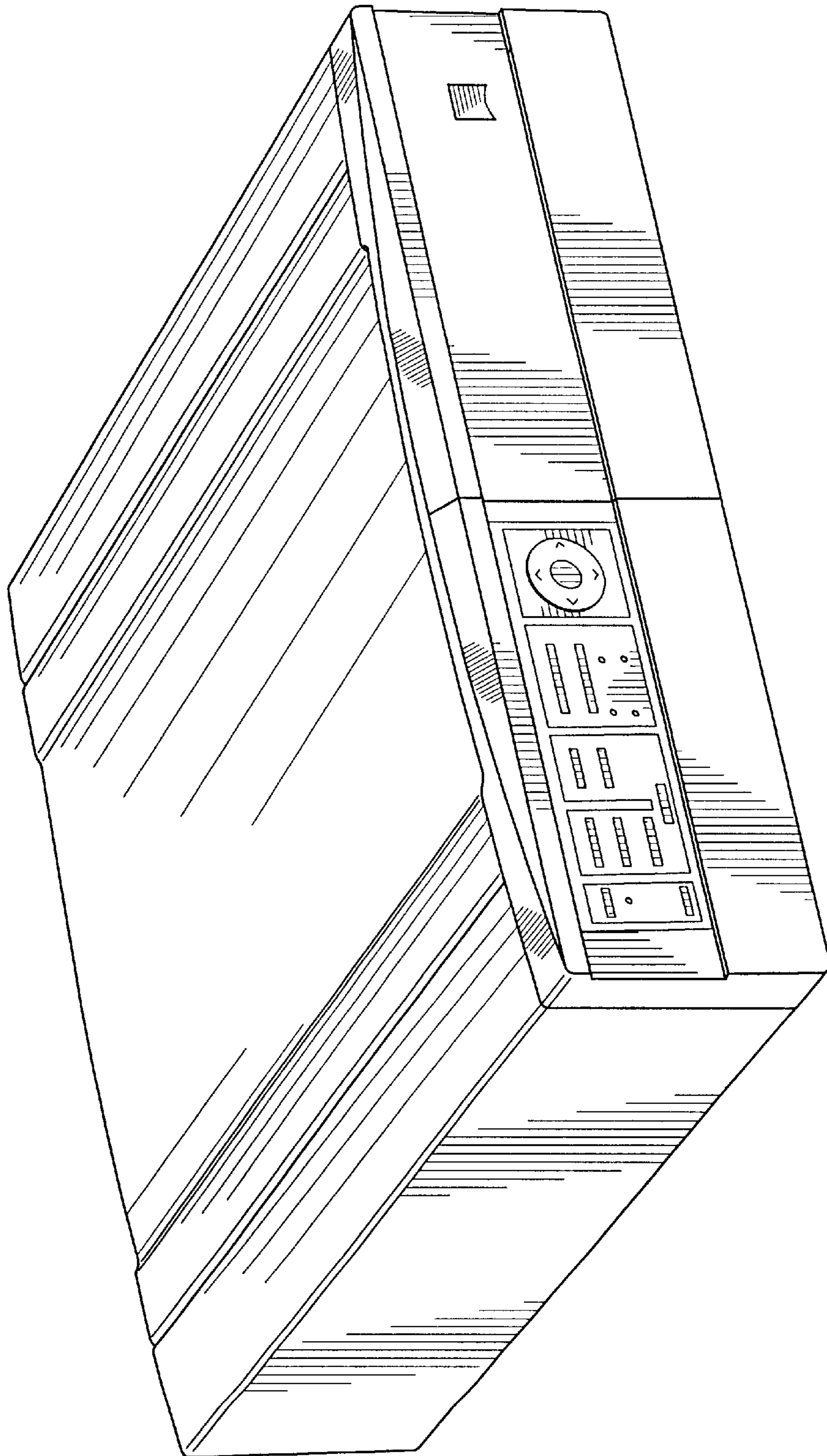


FIG. 6

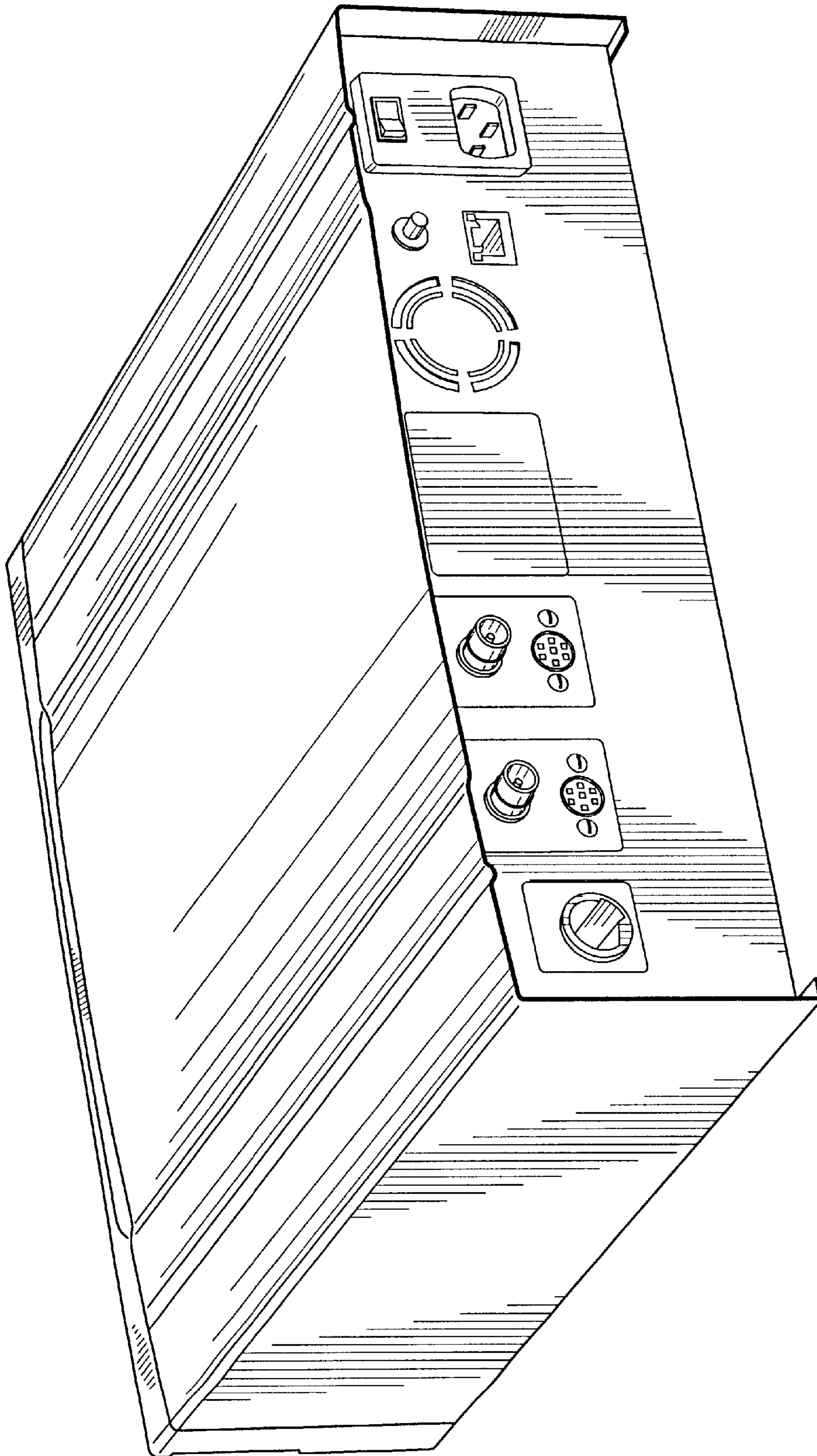


FIG.7

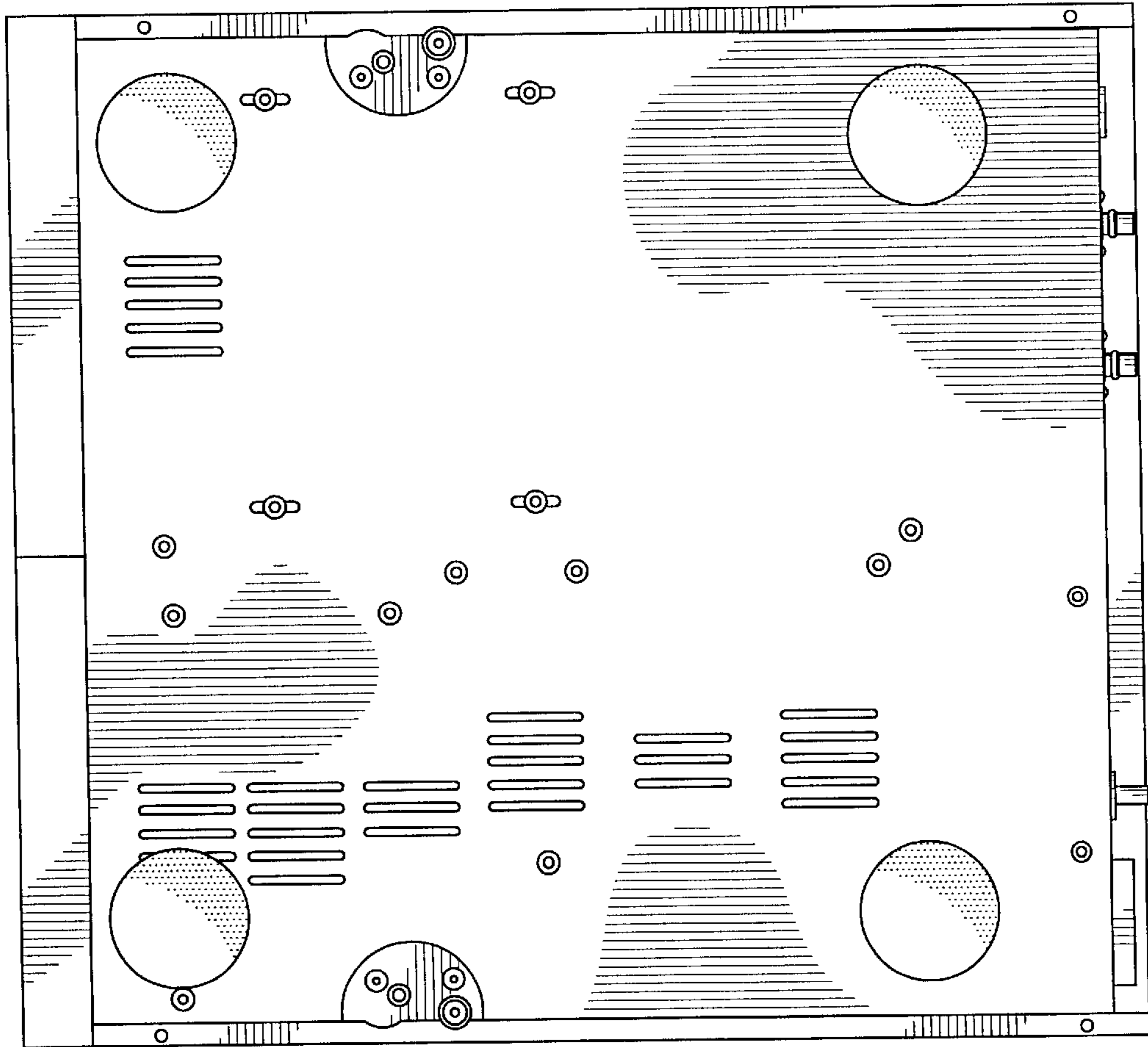


FIG. 8