



US00D482367S

(12) **United States Design Patent**
Hsu et al.

(10) **Patent No.:** **US D482,367 S**

(45) **Date of Patent:** **** Nov. 18, 2003**

(54) **CD-ROM BRACKET**

(75) Inventors: **Yuan-lin Hsu**, Tu-Chen (TW); **Li-Ping Chen**, Tu-Chen (TW)

(73) Assignee: **Hon Hai Precision Ind. Co., Ltd.**,
Taipei Hsien (TW)

(**) Term: **14 Years**

(21) Appl. No.: **29/173,112**

(22) Filed: **Dec. 20, 2002**

(51) **LOC (7) Cl.** **14-99**

(52) **U.S. Cl.** **D14/483**

(58) **Field of Search** D14/474, 478-480,
D14/483, 164; 360/131, 137, 132, 134;
242/327, 335, 338, 348, 354, 358, 358.1,
343.2, 345.2, 347, 376, 377, 899; 369/291,
292, 272; 206/307, 308.1; 463/40-45; 273/148 B

(56) **References Cited**

U.S. PATENT DOCUMENTS

4,496,118 A * 1/1985 Oishi et al. 242/345.2
5,041,923 A * 8/1991 Iwata et al. 369/133
D343,613 S * 1/1994 Fujisawa D14/483
D400,868 S * 11/1998 Fujisawa D14/483

5,923,188 A * 7/1999 Kametani et al. 360/137
6,114,016 A * 9/2000 Sasaki et al. 242/347
D466,903 S * 12/2002 Chen et al. D14/483
D469,780 S * 2/2003 Nonomura D14/483

* cited by examiner

Primary Examiner—Prabhakar Deshmukh

(74) *Attorney, Agent, or Firm*—Wei Te Chung

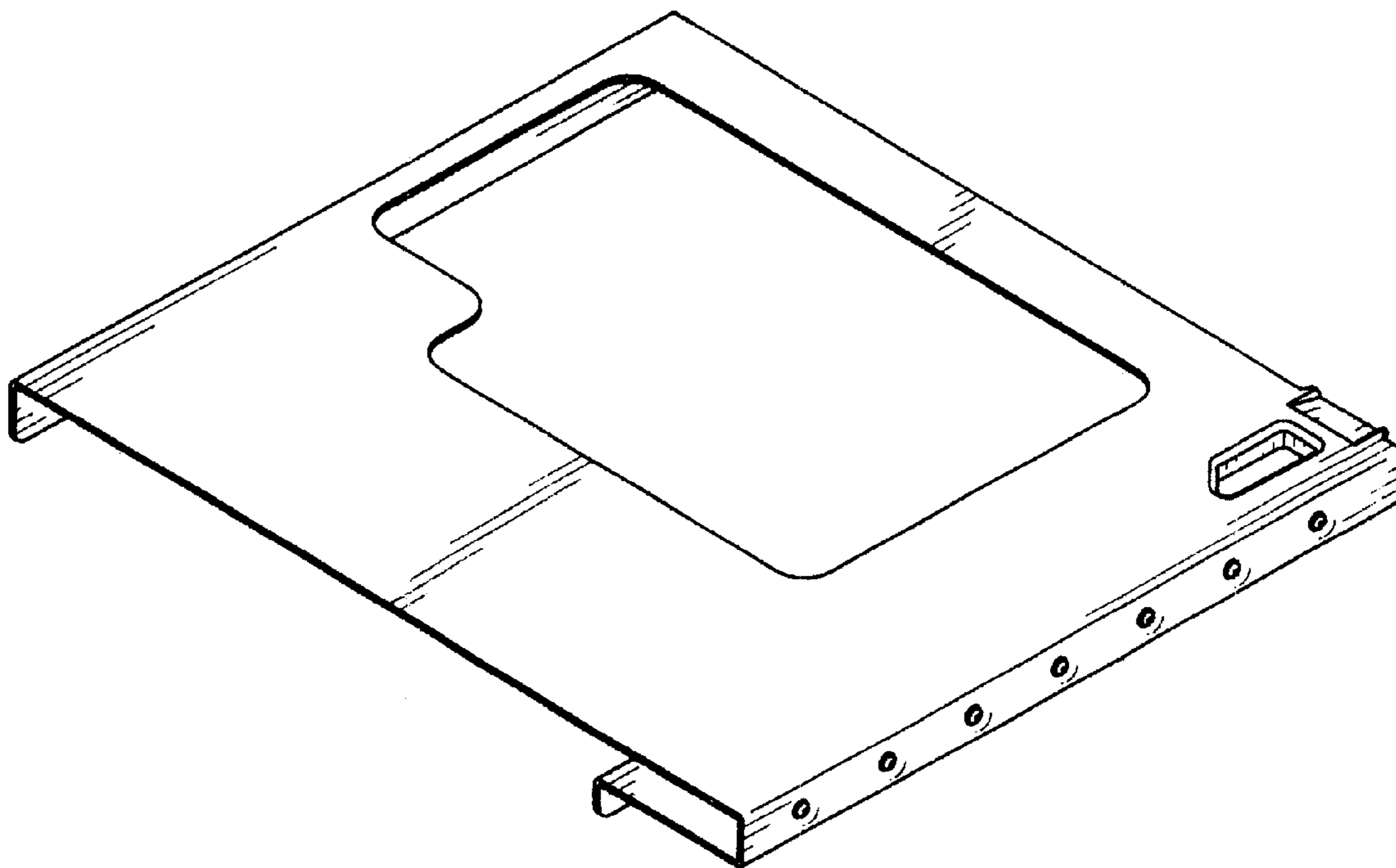
(57) **CLAIM**

The ornamental design for a CD-ROM bracket, as shown and described.

DESCRIPTION

FIG. 1 is a perspective view of a CD-ROM bracket;
FIG. 2 is a front elevational view thereof;
FIG. 3 is a rear elevational view thereof;
FIG. 4 is a left side elevational view thereof;
FIG. 5 is a right side elevational view thereof;
FIG. 6 is a top plan view thereof;
FIG. 7 is a bottom plan view thereof; and,
FIG. 8 is similar to FIG. 1 showing the CD-ROM bracket to which a CD-ROM being mounted which is shown in broken lines for illustrative purpose only and forms no part of the claimed design.

1 Claim, 5 Drawing Sheets



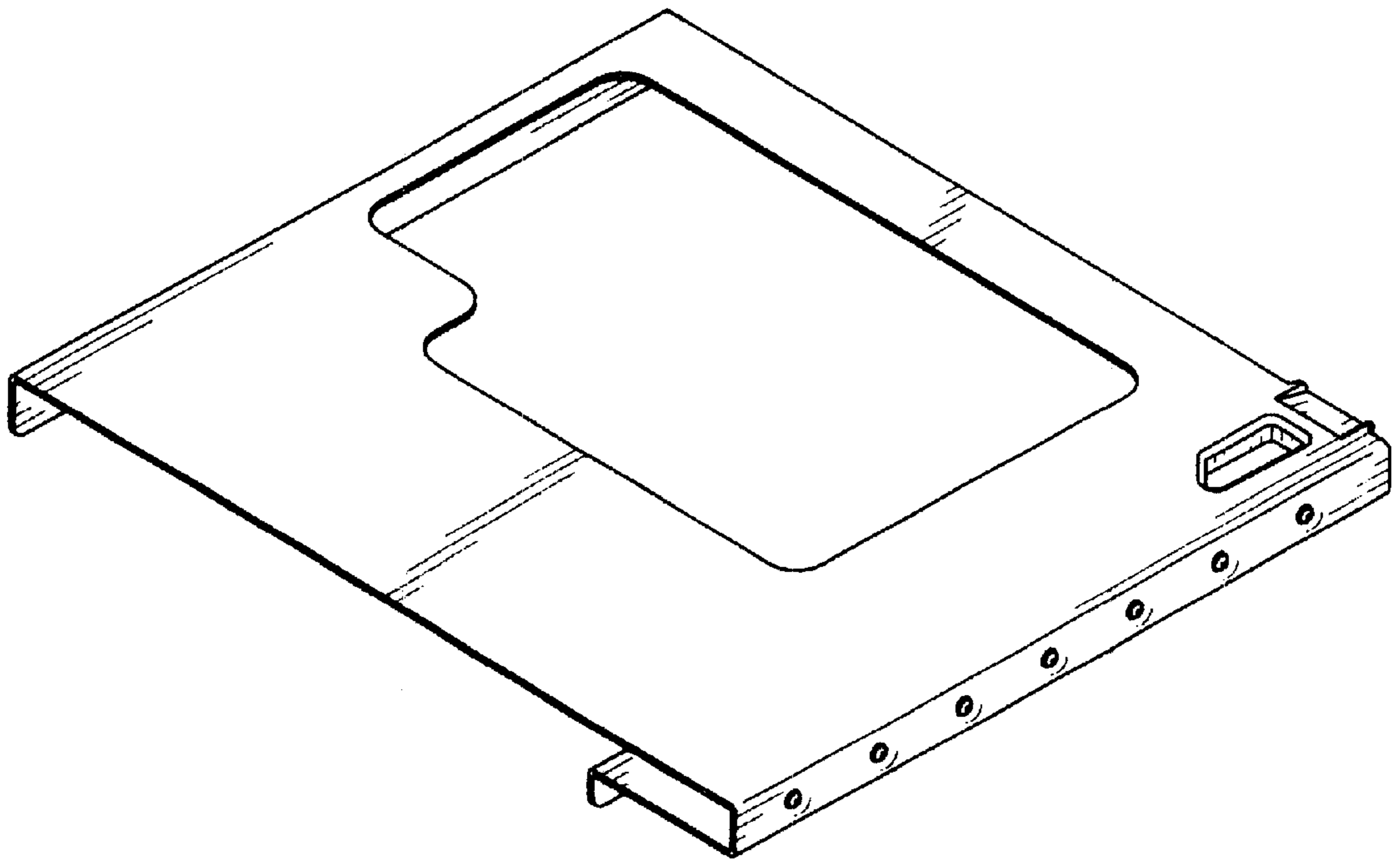


FIG. 1

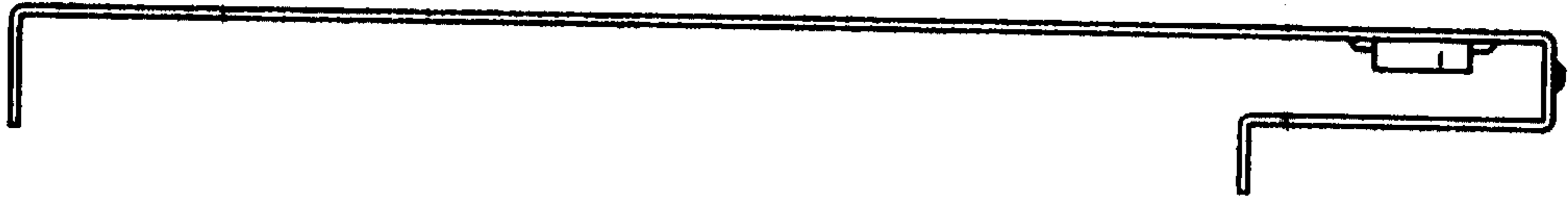


FIG. 2

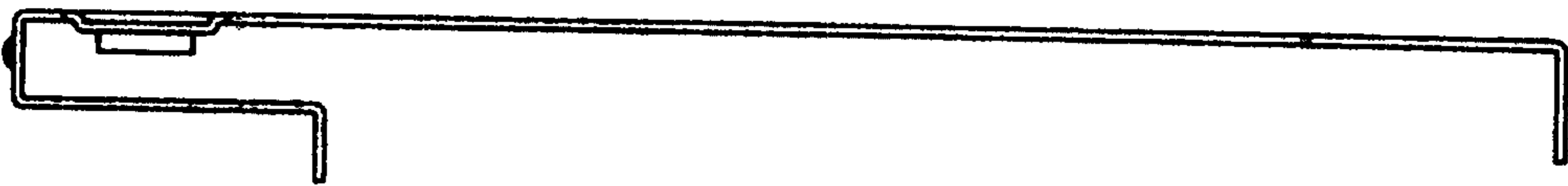


FIG. 3

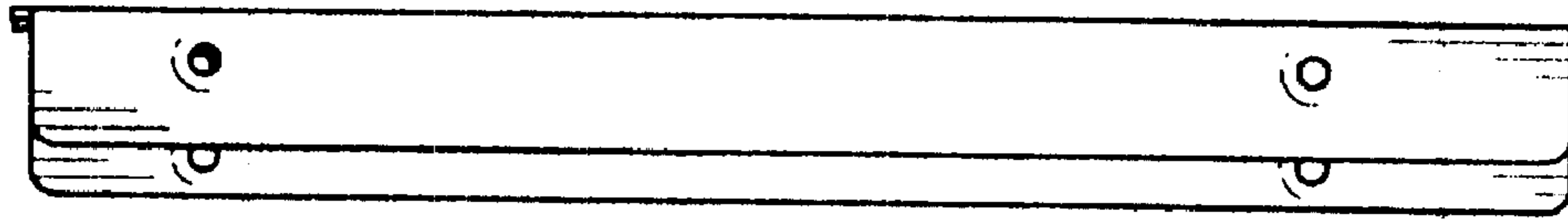


FIG. 4

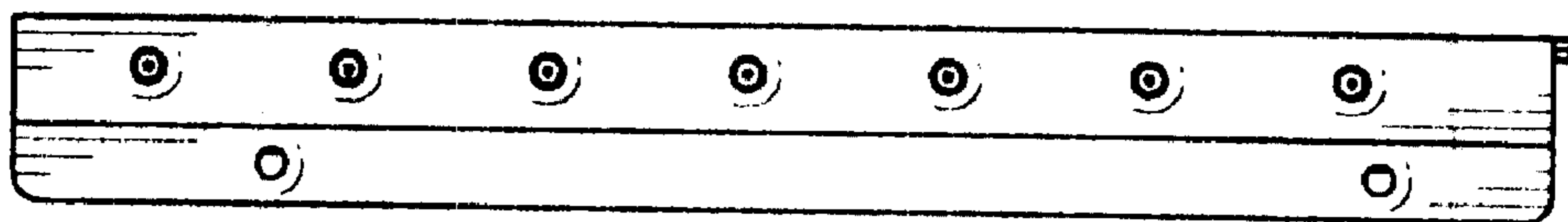


FIG. 5

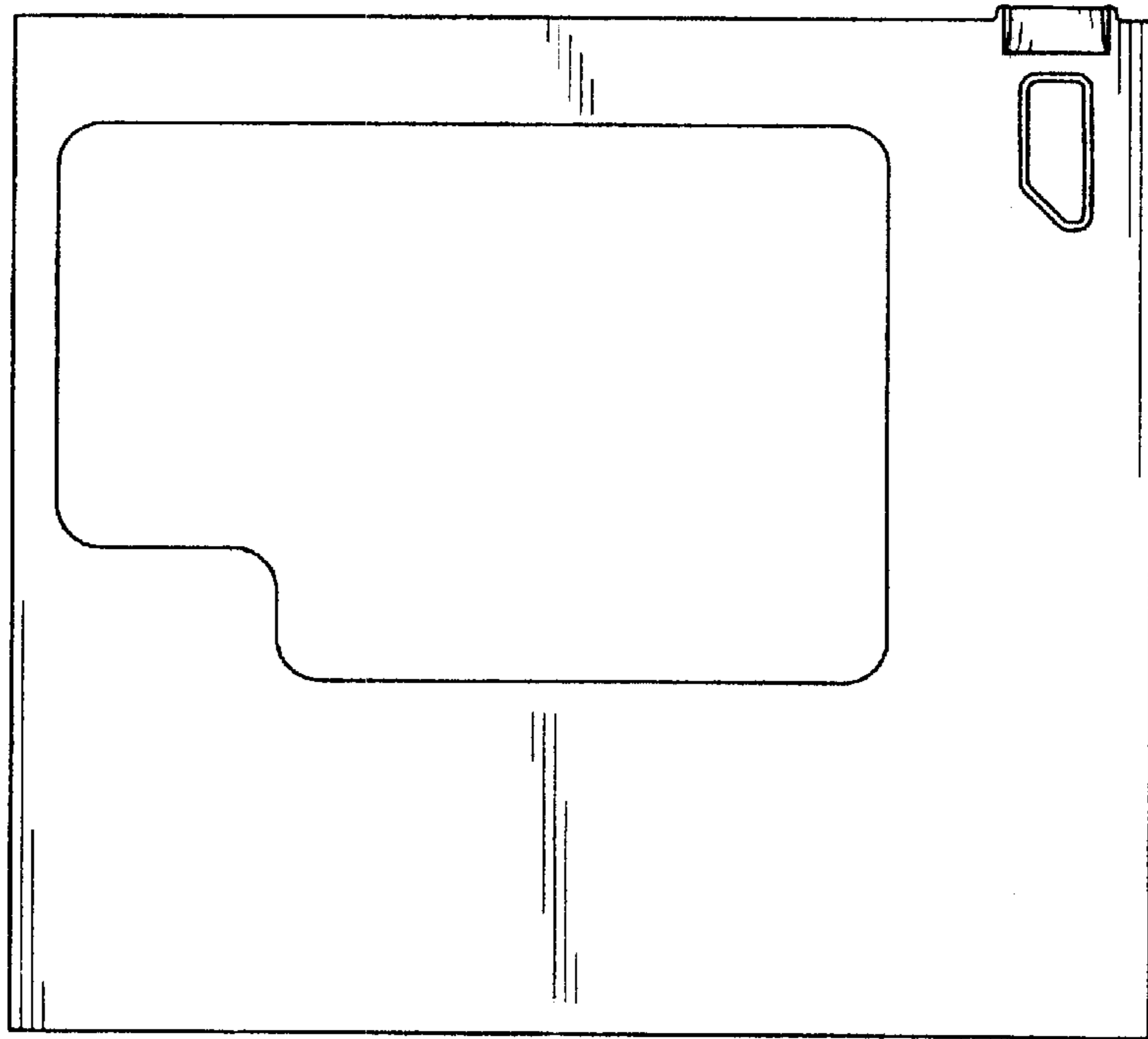


FIG. 6

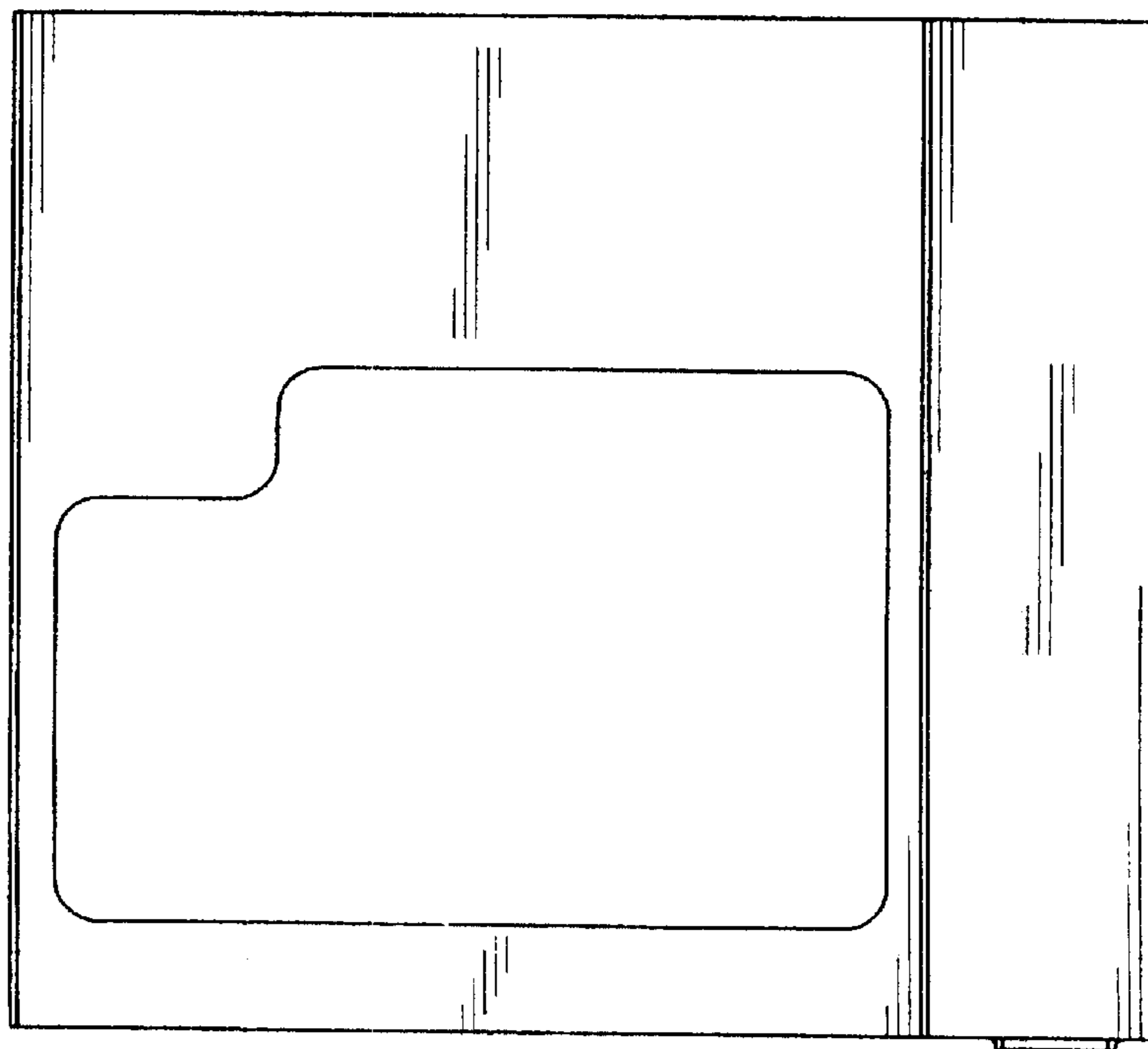


FIG. 7

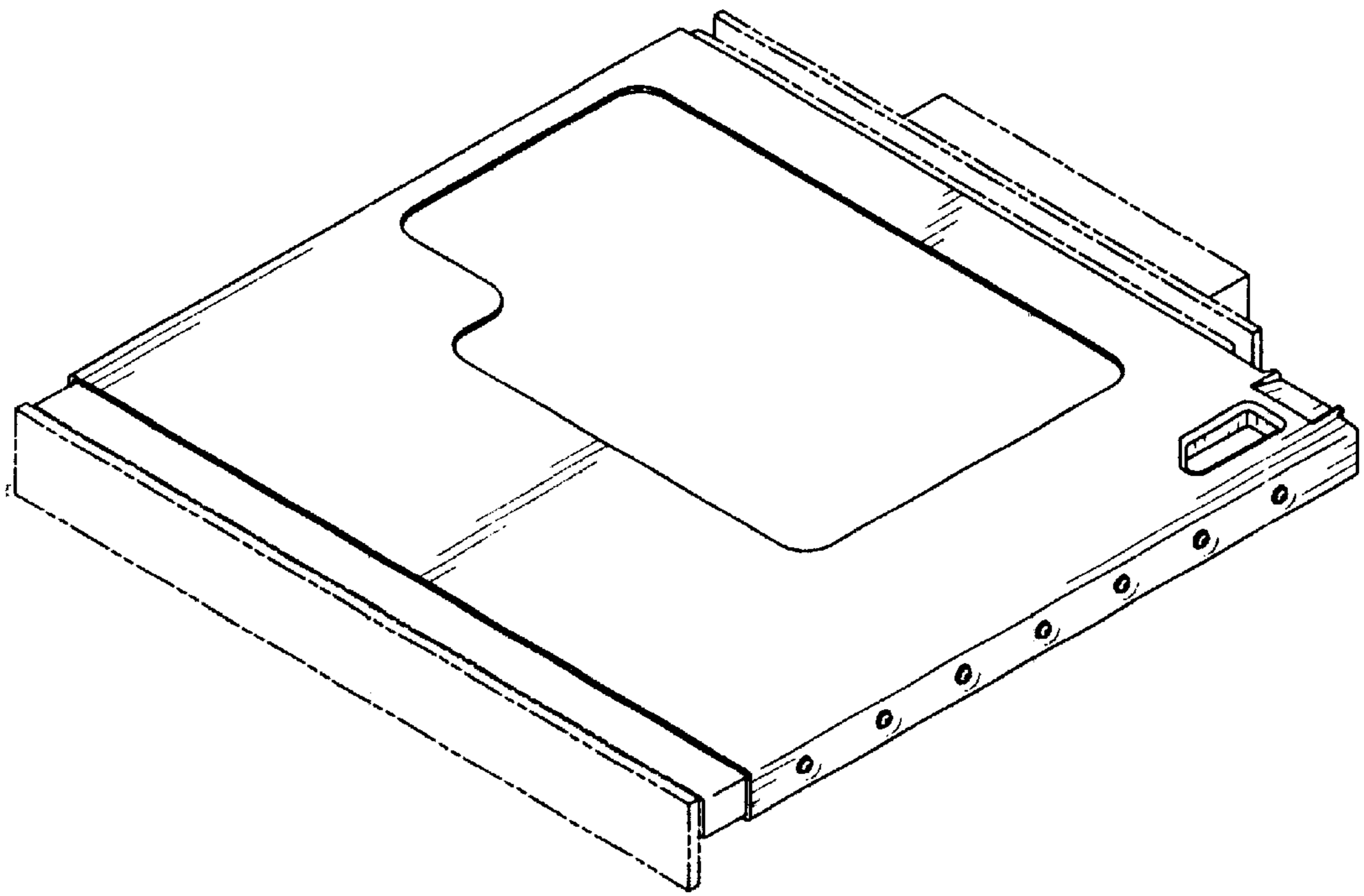


FIG. 8