



US00D482365S

(12) **United States Design Patent**
Yamagishi et al.

(10) **Patent No.:** **US D482,365 S**

(45) **Date of Patent:** **** Nov. 18, 2003**

(54) **INTERFACE OF A MAGNETIC DISC STORAGE**

FOREIGN PATENT DOCUMENTS

(75) Inventors: **Hiromasa Yamagishi**, Ikoma (JP);
Ryuichi Onda, Tokyo (JP); **Tadaaki Tomikawa**, Yokohama (JP)

JP	1064834	3/2000
JP	1073352	6/2000
JP	1095037	12/2000
JP	1107333	4/2001
JP	1107548	4/2001
JP	1107549	4/2001

(73) Assignees: **Hitachi, Ltd.**, Tokyo (JP); **Canon Kabushiki Kaisha**, Tokyo (JP); **Sanyo Electric Co., Ltd.**, Moriguchi (JP); **Sharp Kabushiki Kaisha**, Osaka (JP); **Victor Company of Japan Ltd.**, Kanagawa-ken (JP); **Pioneer Corporation**, Tokyo (JP); **Phoenix Technologies K.K.**, Tokyo (JP); **Fujitsu Limited**, Kwasaki (JP)

* cited by examiner

Primary Examiner—Freda Nunn

(74) *Attorney, Agent, or Firm*—Antonelli, Terry, Stout & Kraus, LLP

(**) Term: **14 Years**

(57) **CLAIM**

The ornamental design for an interface of a magnetic disc storage, as shown and described.

(21) Appl. No.: **29/161,602**

(22) Filed: **Jun. 4, 2002**

(30) **Foreign Application Priority Data**

Dec. 5, 2001 (JP) 2001-035811

(51) **LOC (7) Cl.** **14-02**

(52) **U.S. Cl.** **D14/442**

(58) **Field of Search** D14/441-446;
D13/162, 184, 199; 312/223.2; 361/690-696

DESCRIPTION

FIG. 1 is a front, and right side perspective view of an interface of a magnetic disc storage showing our new design;

FIG. 2 is a front elevational view thereof;

FIG. 3 is a rear elevational view thereof;

FIG. 4 is a top plan view thereof;

FIG. 5 is a bottom plan view thereof;

FIG. 6 is a right side elevational view thereof;

FIG. 7 is a left side elevational view thereof;

FIG. 8 is a sectional view thereof taken in the direction of the arrows 8—8 in FIG. 2; and,

FIG. 9 is a sectional view thereof taken in the direction of the arrows 9—9 in FIG. 2.

The broken lines are shown in the views for illustrative purposes only and form no part of the claimed design.

The internal portions of the interface form no part of the claimed design.

(56) **References Cited**

U.S. PATENT DOCUMENTS

D359,279 S	*	6/1995	Fujimura et al.	D14/442
D407,082 S	*	3/1999	Waler	D14/442
D454,135 S	*	3/2002	Lee	D14/445

1 Claim, 4 Drawing Sheets

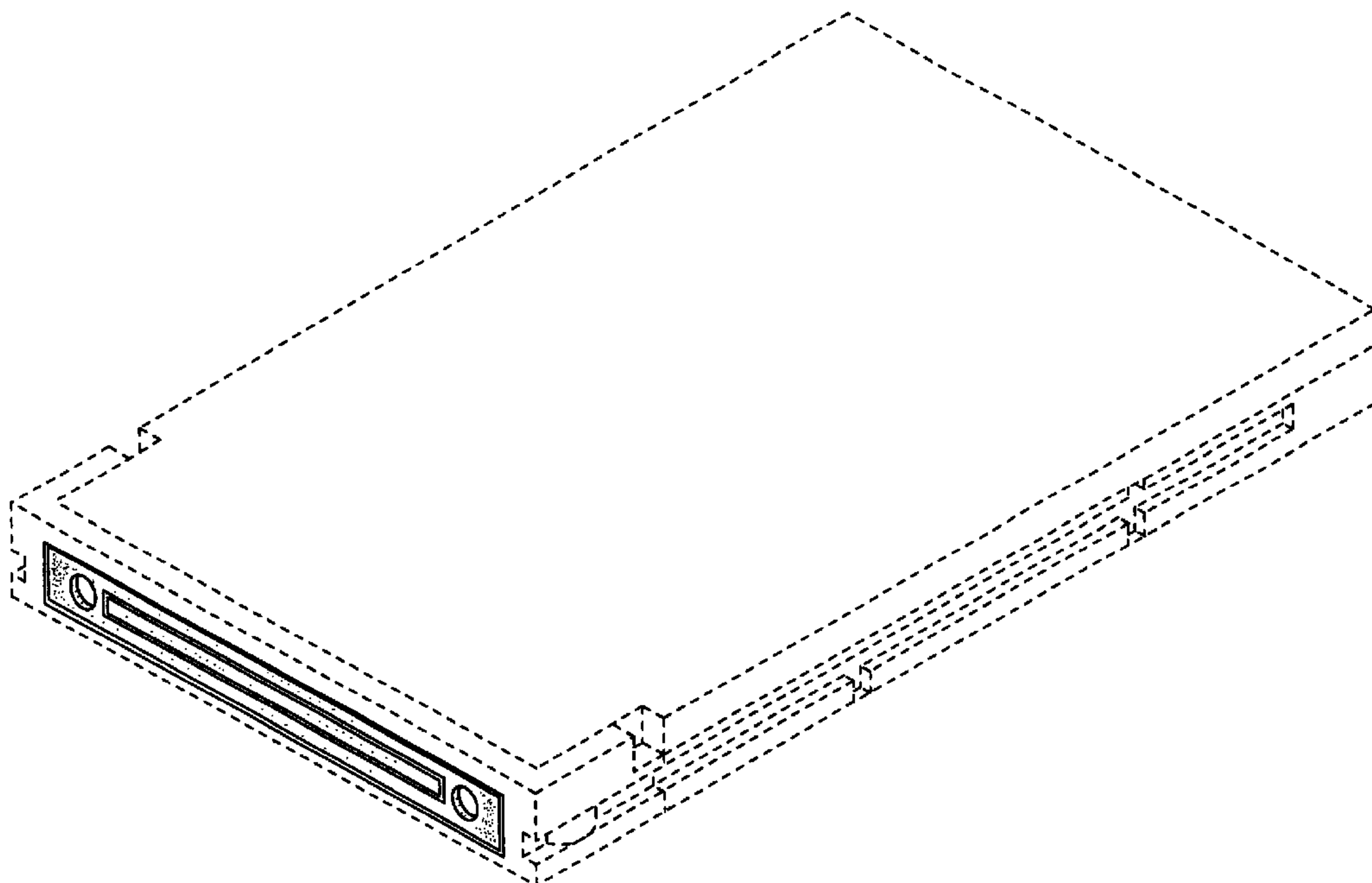


FIG. 1

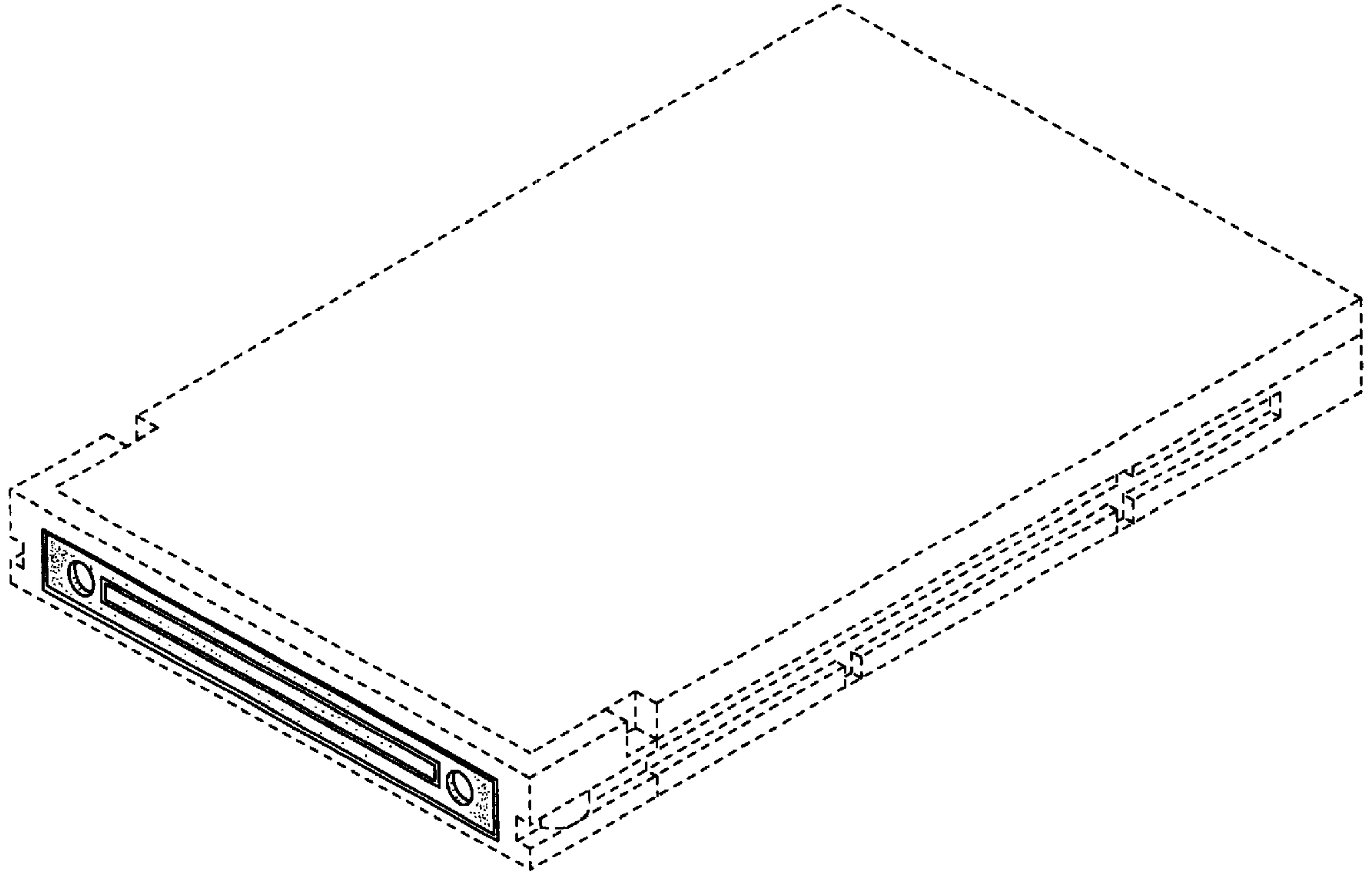


FIG. 2

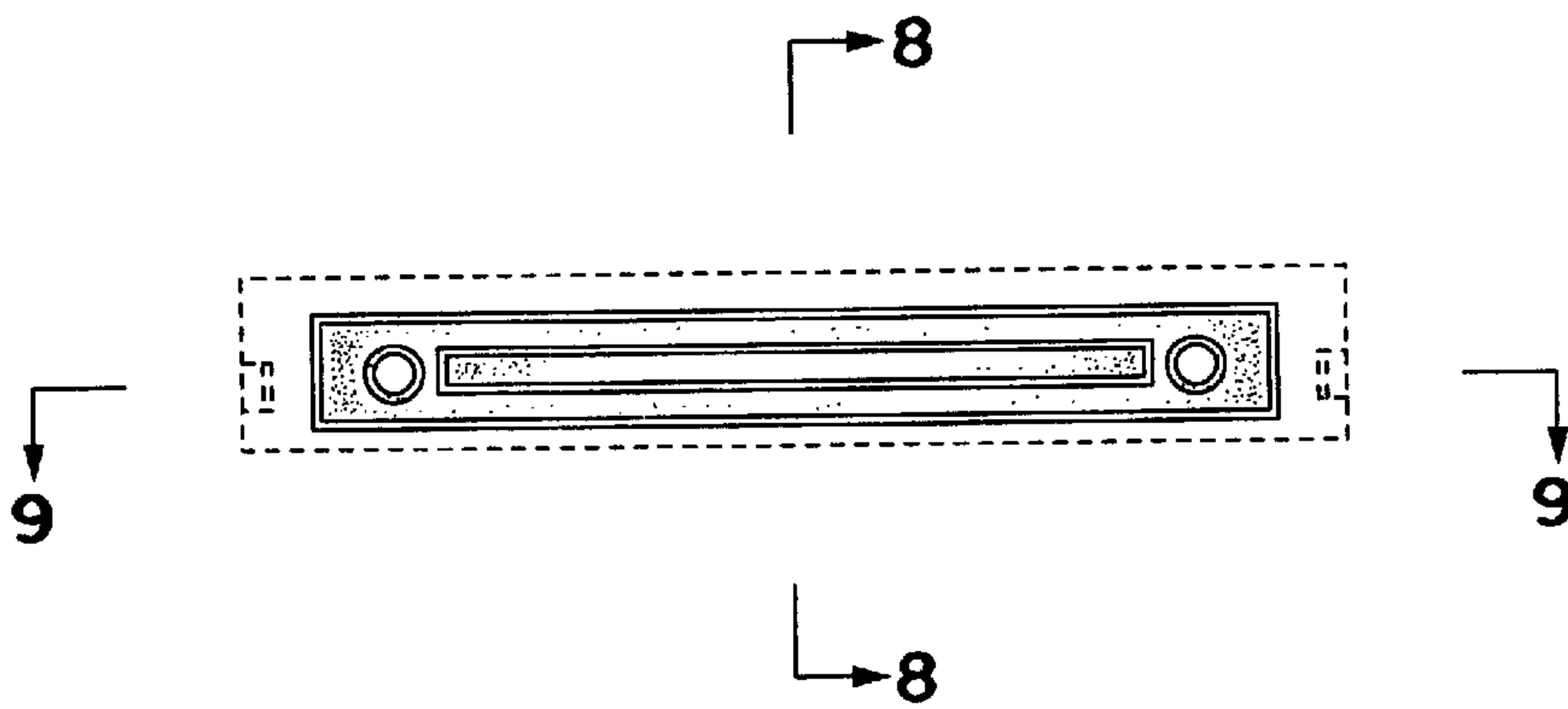


FIG. 3

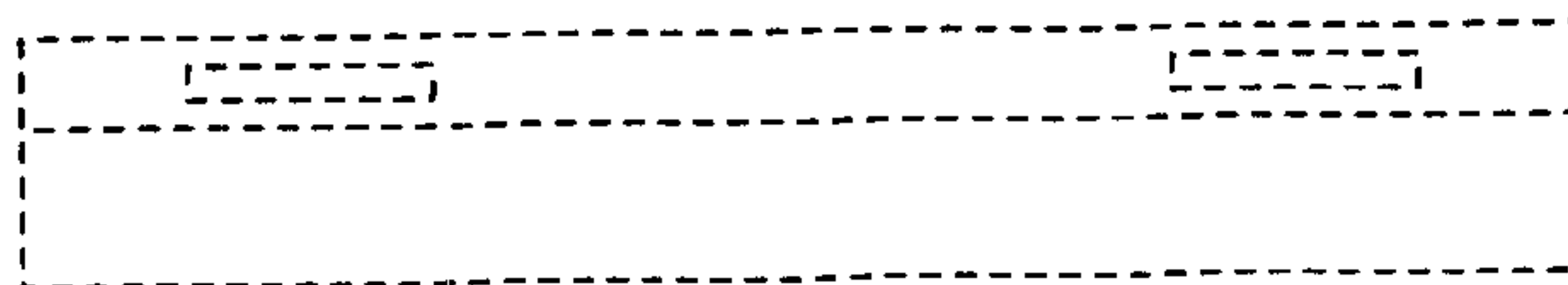


FIG. 4

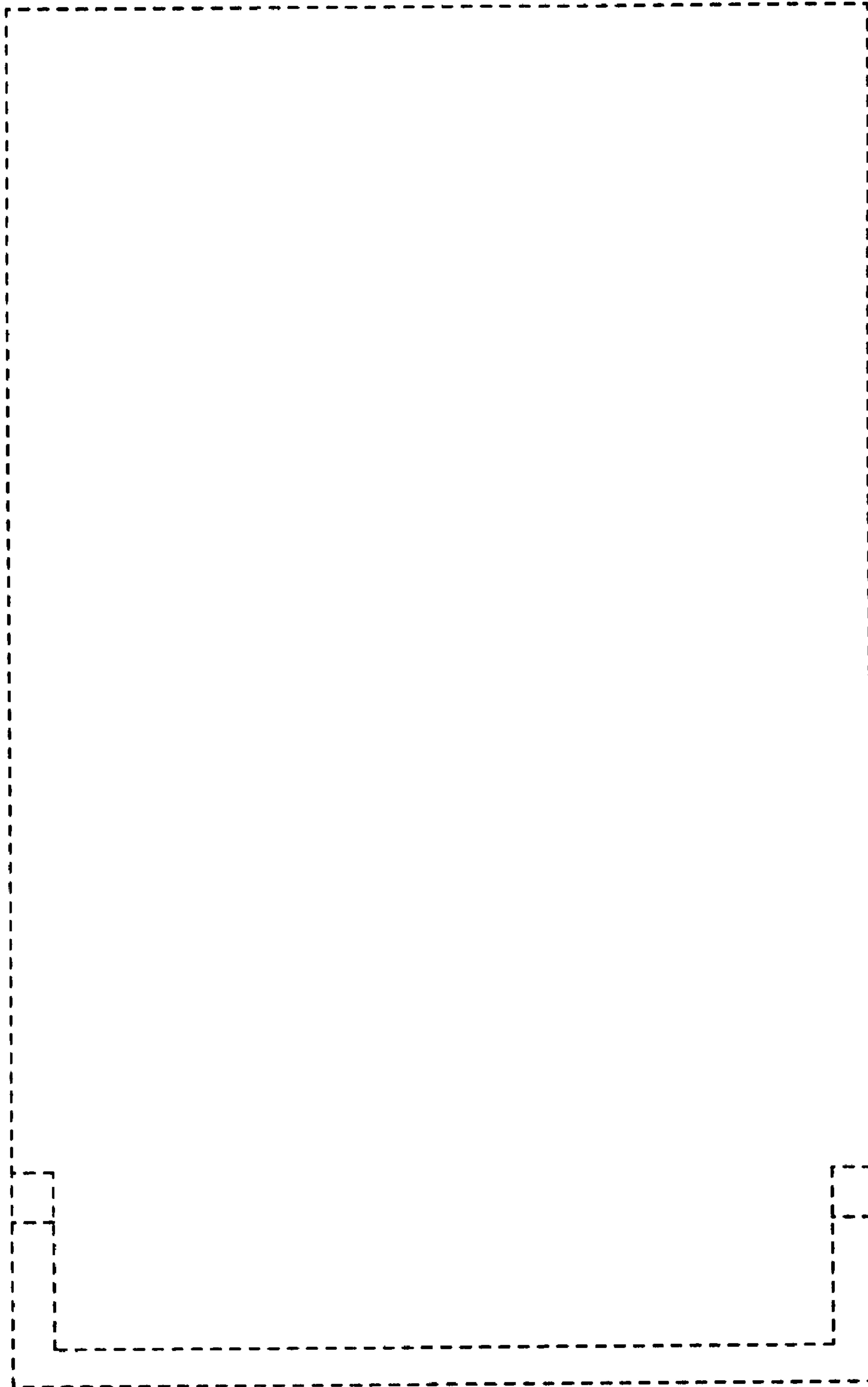


FIG. 5

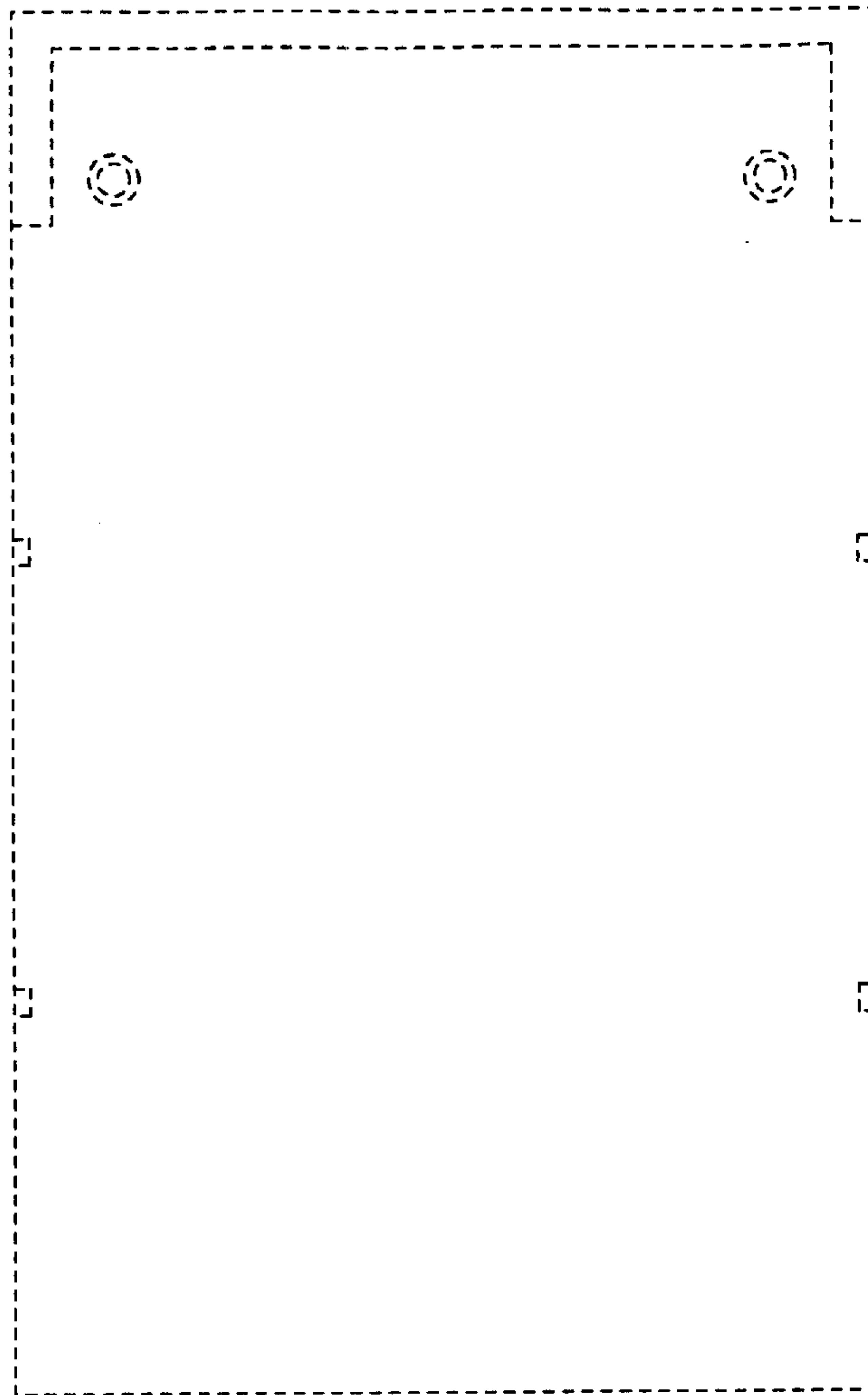


FIG. 6

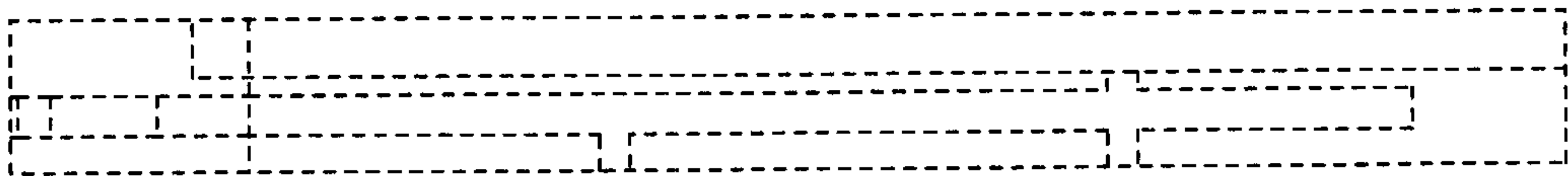


FIG. 7

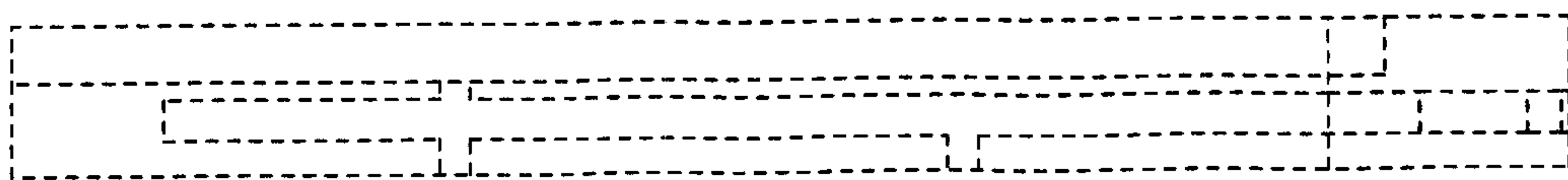


FIG. 8

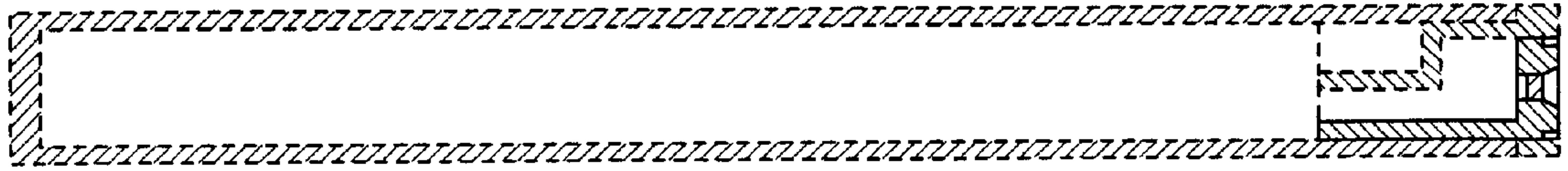


FIG. 9

