



US00D482363S

(12) **United States Design Patent**
Goto

(10) **Patent No.:** **US D482,363 S**

(45) **Date of Patent:** **** Nov. 18, 2003**

(54) **KEYBOARD**

(75) Inventor: **Teiyu Goto**, Tokyo (JP)

(73) Assignee: **Sony Computer Entertainment Inc.**,
Tokyo (JP)

(**) Term: **14 Years**

(21) Appl. No.: **29/173,934**

(22) Filed: **Jan. 9, 2003**

Related U.S. Application Data

(62) Division of application No. 29/142,591, filed on May 31,
2001, now Pat. No. Des. 471,196.

(30) **Foreign Application Priority Data**

Feb. 20, 2001	(JP)	2001-003925
Feb. 20, 2001	(JP)	2001-003926
Feb. 20, 2001	(JP)	2001-003927
Feb. 20, 2001	(JP)	2001-003928
Feb. 20, 2001	(JP)	2001-003929
Feb. 20, 2001	(JP)	2001-003930

(51) **LOC (7) Cl.** **14-02**

(52) **U.S. Cl.** **D14/392**

(58) **Field of Search** D14/391, 392,
D14/394, 396, 398; D18/1, 2, 7; 200/5 A,
5 R, 6 A, 6 R; 235/145 A, 145 R; 345/160,
168; 341/22, 23; 400/484-486, 488, 489,
492

(56) **References Cited**

U.S. PATENT DOCUMENTS

D289,761 S	5/1987	Matulock et al.
D308,200 S	5/1990	Sottsass
D313,402 S	1/1991	Esslinger
D316,405 S	4/1991	Yoshitake
D324,860 S	3/1992	Oshima
D330,199 S	10/1992	Mendel et al.
D390,557 S	2/1998	Vogel et al.
D412,324 S	7/1999	Oba
D422,963 S	4/2000	Hakoda

D428,010 S	7/2000	Jones	
D439,902 S	4/2001	Oba	
D440,969 S	4/2001	Tsai	
D471,196 S	* 3/2003	Goto D14/392

FOREIGN PATENT DOCUMENTS

JP	651527 S	5/1985
JP	779507 S	1/1990
JP	998670 S	12/1997
JP	1088935 S	10/2000

OTHER PUBLICATIONS

“Can Technology Co. Ltd,” Computer Trade, p. 1. (Sep. 1998).

“Computer Pproducts”, Asian Sources pp. 408, (Jan. 1996).
Catalog, “VAIO RX,” Sony (Jan., 2001).

(List continued on next page.)

Primary Examiner—Freda Nunn

(74) *Attorney, Agent, or Firm*—Rader, Fishman & Grauer
PLLC

(57) **CLAIM**

The ornamental design for a keyboard, as shown and described.

DESCRIPTION

FIG. 1 is a front elevational view of a keyboard showing my new design, wherein the leg portions are in the extending position;

FIG. 2 is a rear elevational view thereof;

FIG. 3 is a left side elevational view thereof;

FIG. 4 is a right side elevational view thereof;

FIG. 5 is a top plan view thereof;

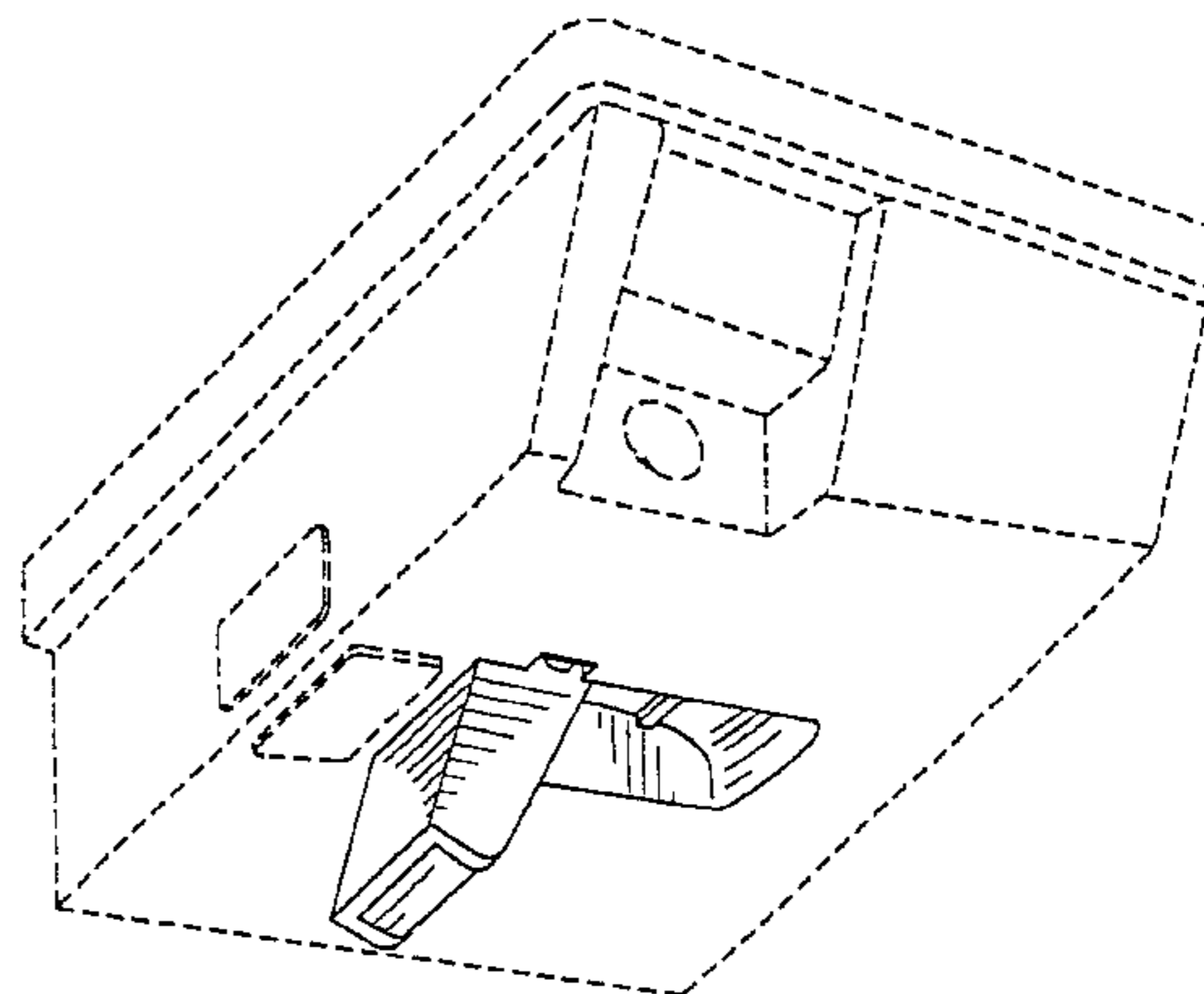
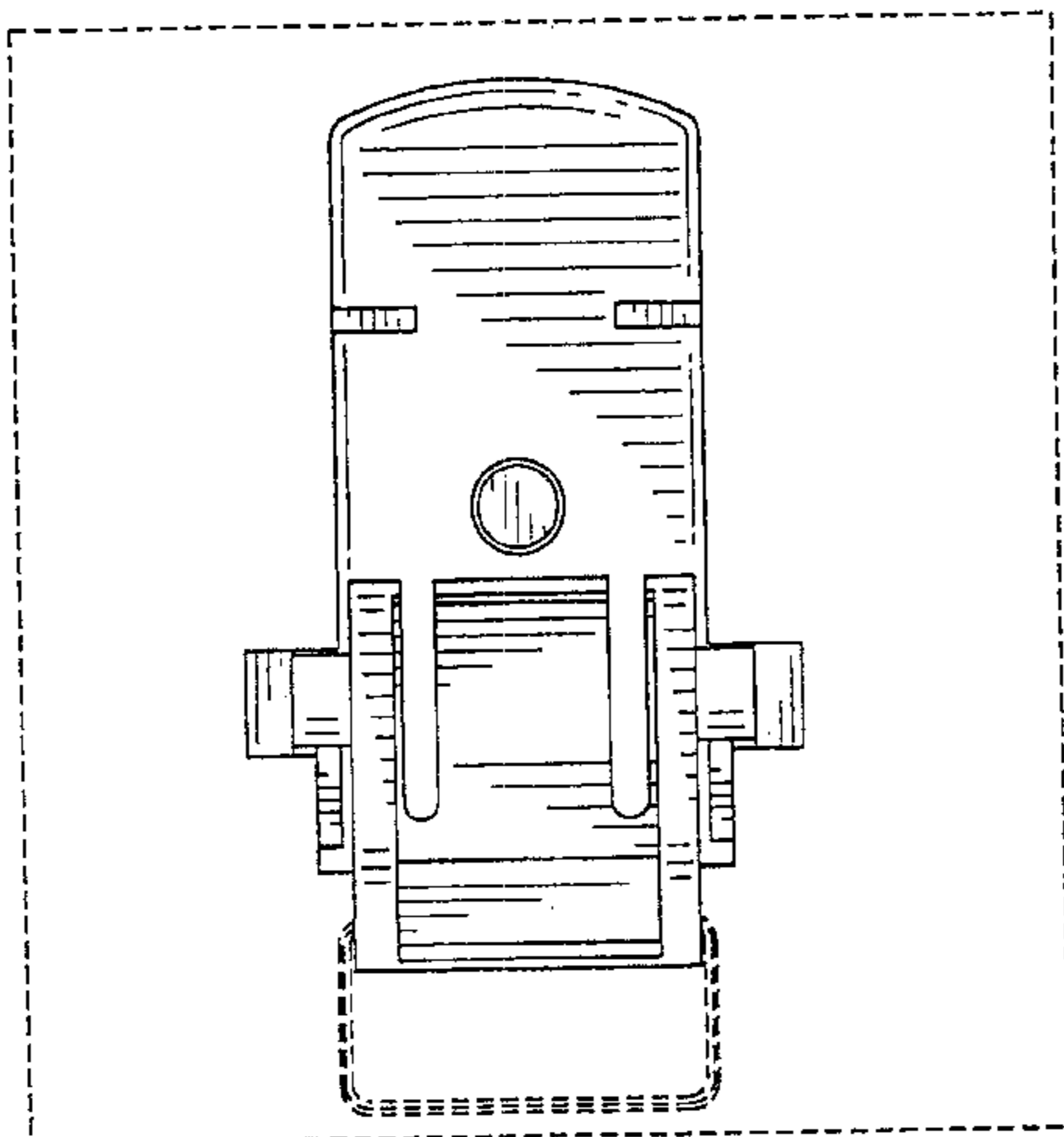
FIG. 6 is a bottom plan view thereof;

FIG. 7 is an enlarged bottom plan view of the leg portion thereof; and,

FIG. 8 is an enlarged partial perspective view taken along line 8—8 of FIG. 6.

The broken lines are shown in the views for illustrative purposes only and form no part of the claimed design.

1 Claim, 4 Drawing Sheets



OTHER PUBLICATIONS

Catalog, "VAIO LX," Sony (Jan., 2001).

Catalog, "Good Morning VAIO," Sony (Jan., 2001).

Catalog, "Good Morning VAIO," Sony (Sep., 2000).

Catalog, "MX, Desktop Entertainment, VAIO," Sony (Feb., 2001).

Catalog, "VAIO LX," VAIO PCV-LX71/BP, 1 sheet, Sony (Jan. 2001).

"From A to Z, All Developed," <http://www.apple.co.jp/keyboard/index.html>, 3 sheets, Apple Computer Japan Co., Ltd. (as of Feb., 2001).

Products Catalog, vol. 5, Release 2, "Owltech Corp.," (Sep., 2000).

"Keyboard 18," Weekly ASCII Magazine, pp. 42-27, ASCII Corp. (Feb., 2001).

"Catalog," <http://www.netlaputa.ne.jp/~spital/catalog/tk-106.htm>, 4 sheets, Spital Sangyo Co., Ltd. (Feb. 15, 2001).

"Telecom Catalog," <http://www2.elecom.co.jp/shohin/TK-P2109JPWB.html>, 6 sheets, Telecom Co., Ltd. (Feb., 2001).

"Catalog," <http://www.netlaputa.ne.jp/~spital/catalog/tk-106.htm>, 1 sheet, Spital Sangyo Co., Ltd. (Feb. 22, 2001).

* cited by examiner

FIG. 1

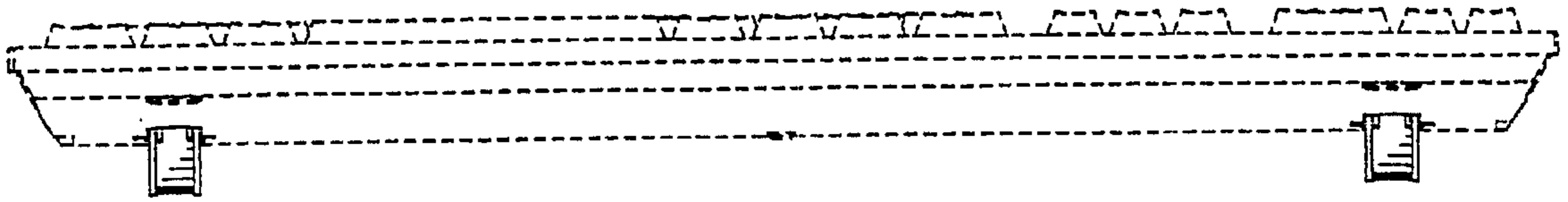


FIG. 2

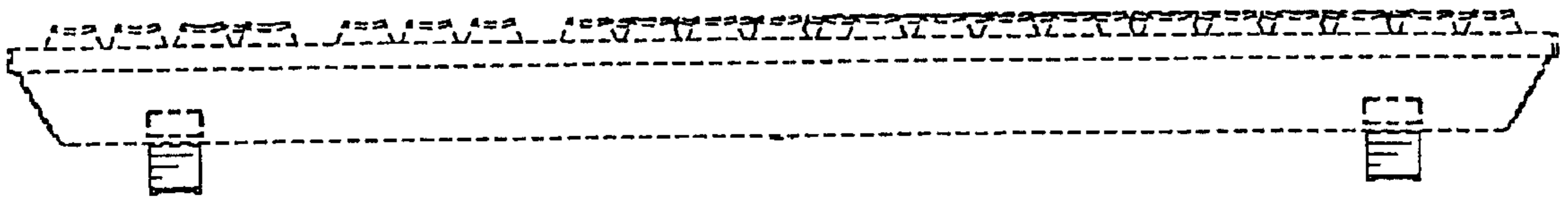


FIG. 3

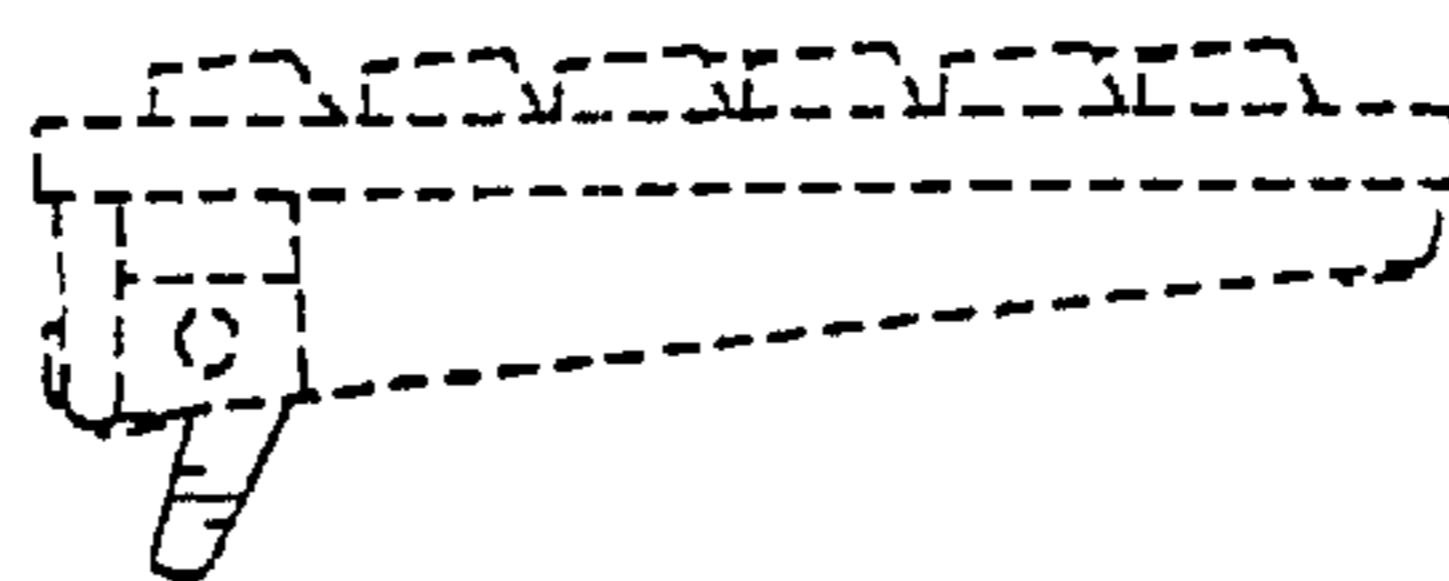


FIG. 4

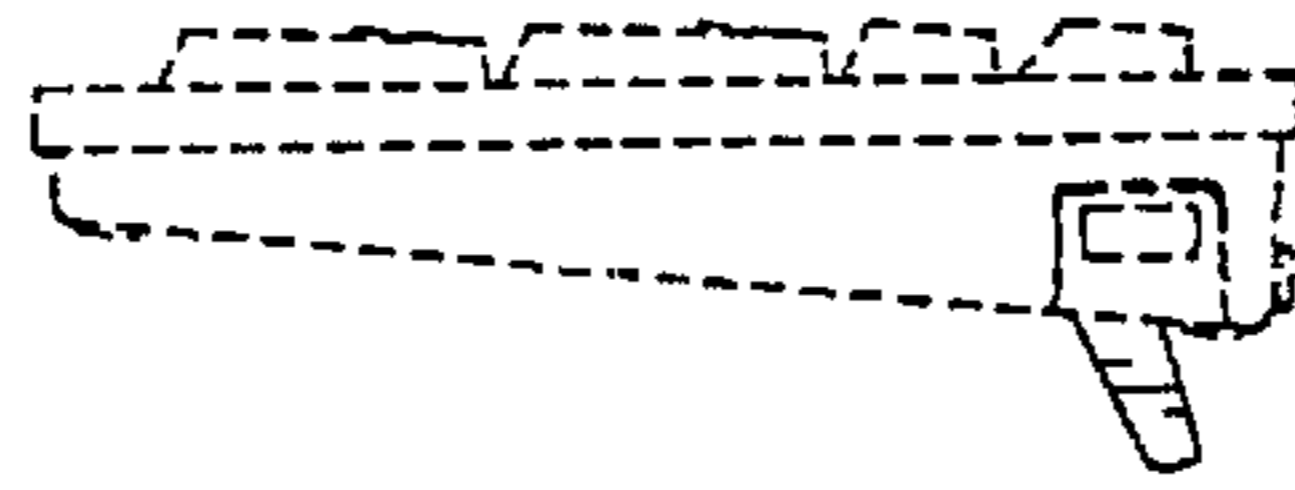


FIG. 5

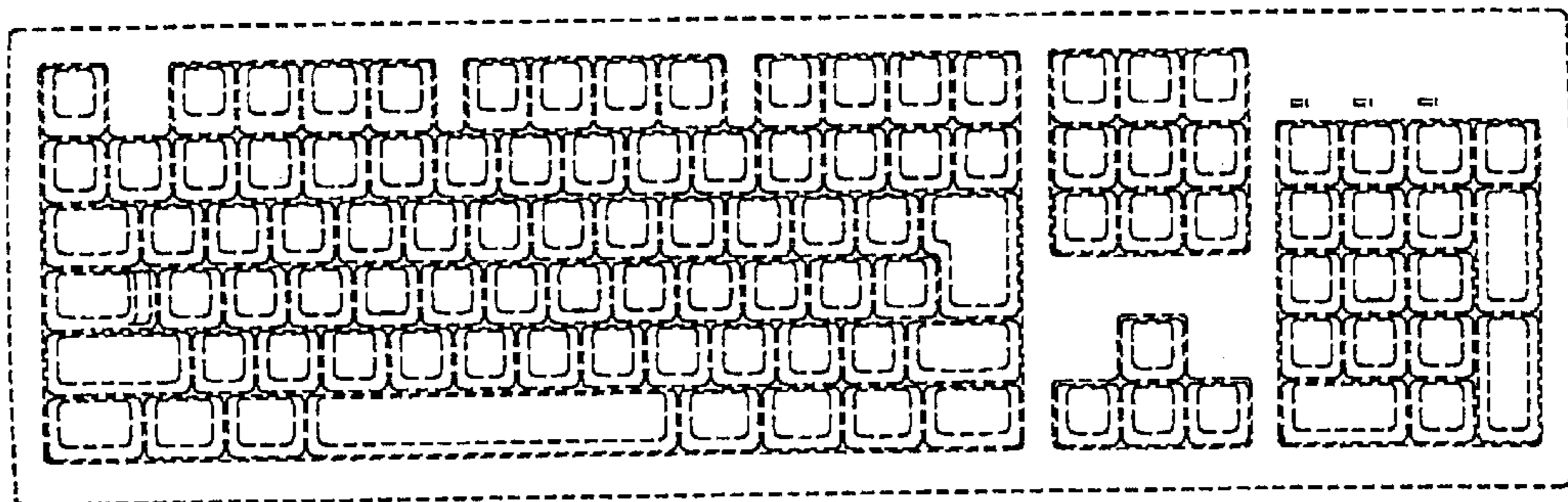


FIG. 6

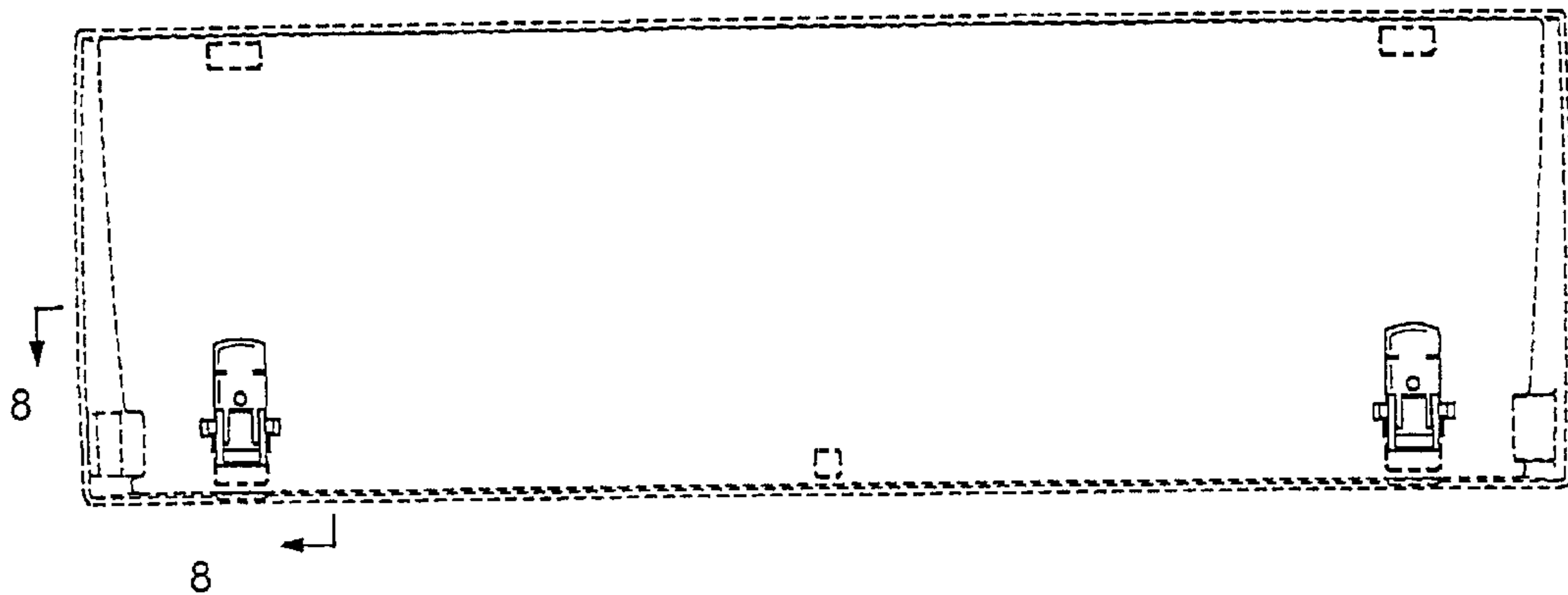


FIG. 7

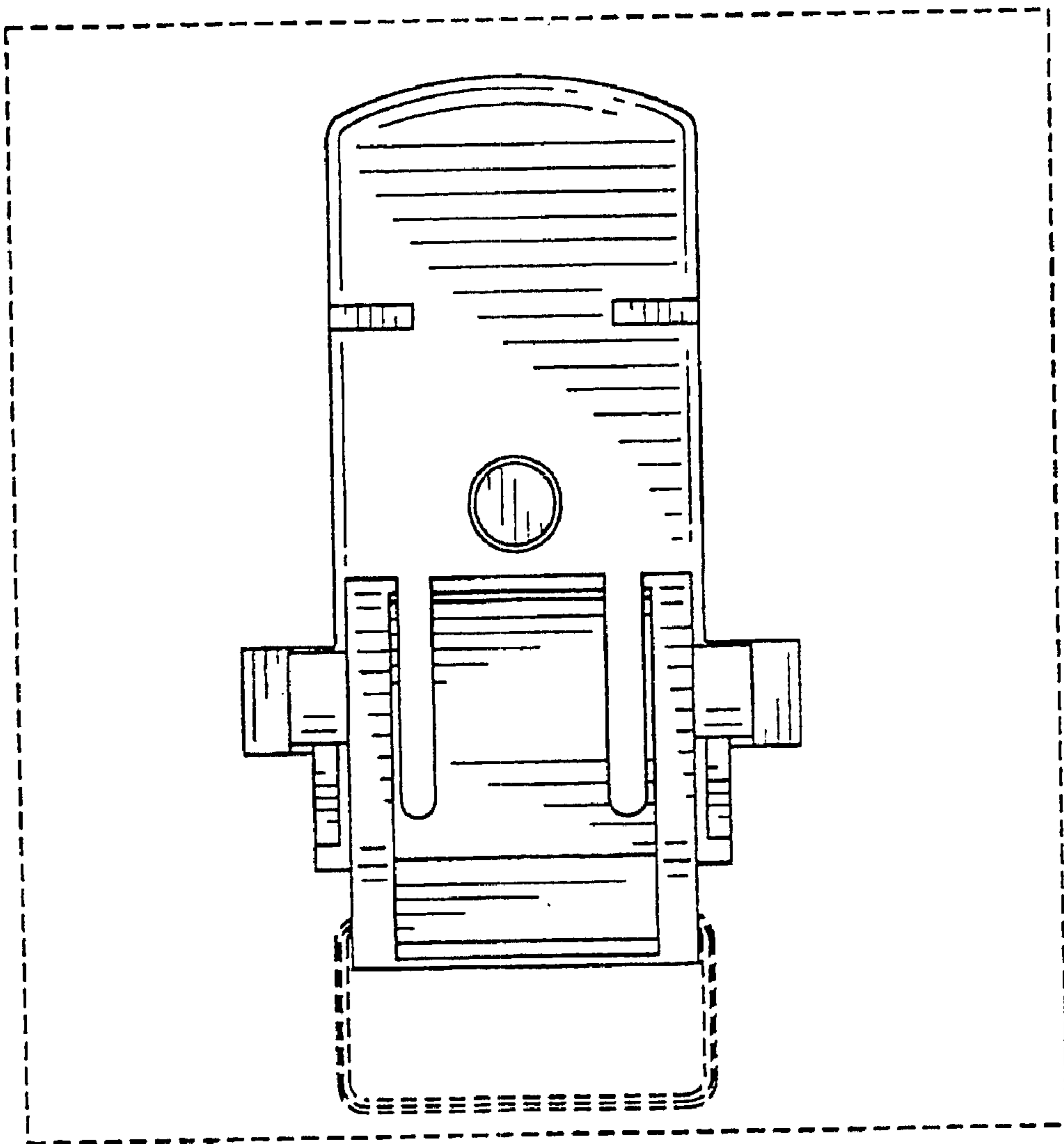


FIG. 8

