



US00D482359S

(12) **United States Design Patent**  
**Skillman et al.**

(10) **Patent No.: US D482,359 S**

(45) **Date of Patent: \*\* Nov. 18, 2003**

(54) **MOBILE COMPUTER SYSTEM**

D398,904 S \* 9/1998 Tamaki et al. .... D14/341  
D408,372 S \* 4/1999 Ota et al. .... D14/346

(76) Inventors: **Peter Skillman**, 827 Sunset, San Carlos, CA (US) 94070; **Jeffrey C. Hawkins**, 18 W. Summit Dr., Redwood City, CA (US) 94062; **Michael Wise**, 24301 Elise Ct., Los Altos Hills, CA (US) 94024; **John Raff**, 1054 Ringwood Ave., Menlo Park, CA (US) 94025; **Daniel Sung-Hwe Kim**, 408 Pepper Ave., Palo Alto, CA (US) 94306; **Dennis Boyle**, 1169 Hamilton Ave., Palo Alto, CA (US) 94301; **Charles R. Lewis, Jr.**, 953 Embarcadero Rd., Palo Alto, CA (US) 94303

\* cited by examiner

*Primary Examiner*—Freda Nunn  
(74) *Attorney, Agent, or Firm*—Dag Johansen; Stattler Johansen & Adeli LLP

(\*\*) Term: **14 Years**

(21) Appl. No.: **29/109,342**

(22) Filed: **Oct. 6, 2001**

(51) **LOC (7) Cl.** ..... **14-02**

(52) **U.S. Cl.** ..... **D14/341**

(58) **Field of Search** ..... D14/341–346;  
D18/1, 2, 7; 345/156, 168, 169, 172, 173,  
87; 361/680–686

(57) **CLAIM**

The ornamental design for a mobile computer system, as shown and described.

**DESCRIPTION**

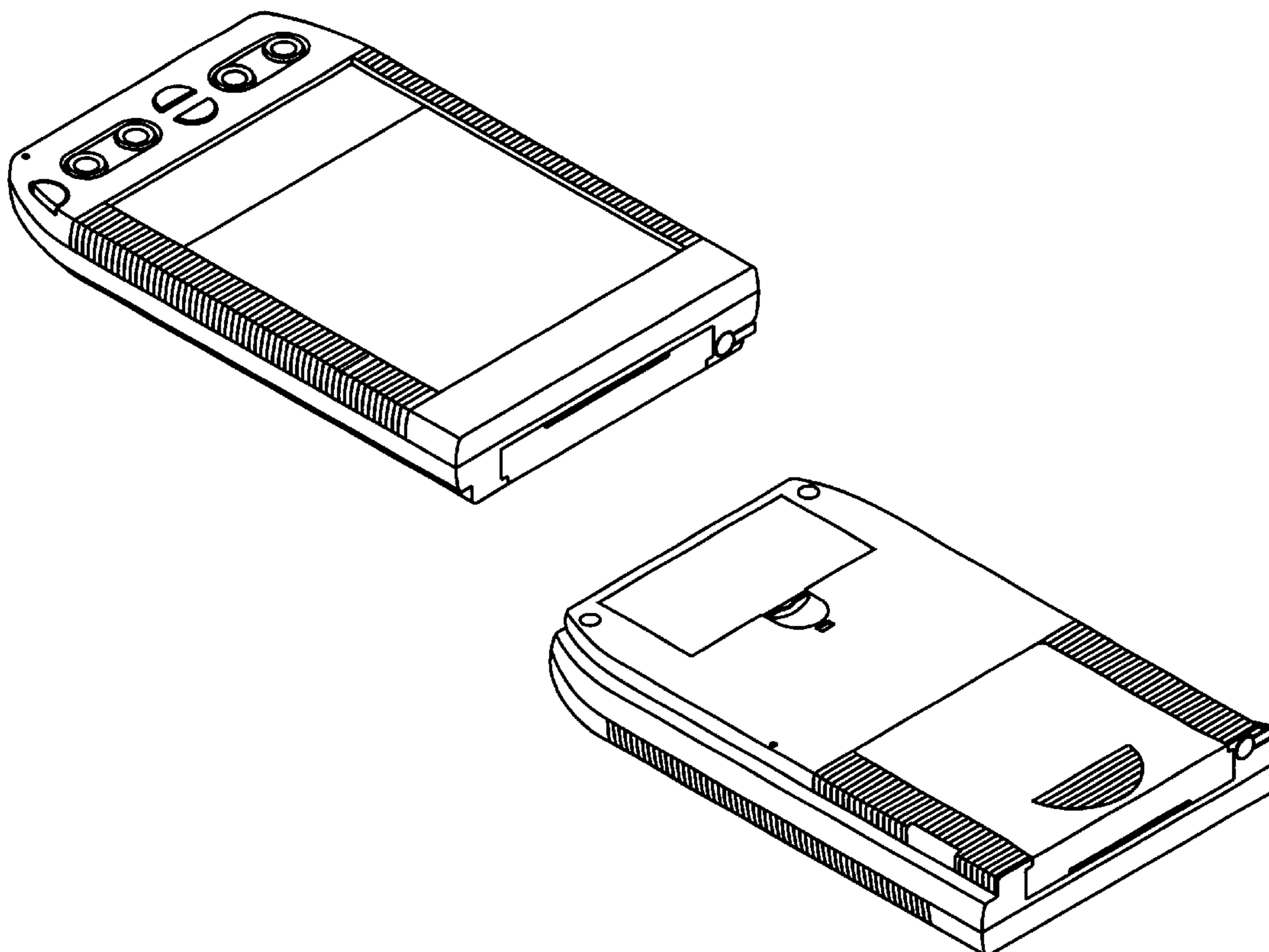
FIG. 1 is a front perspective view of the mobile computer system showing the new design;  
FIG. 2 is a back perspective view thereof;  
FIG. 3 is an exploded back perspective view thereof with a pen, a battery cover, and a peripheral expansion cover removed;  
FIG. 4 is a front view thereof;  
FIG. 5 is a back view thereof;  
FIG. 6 is a left side view thereof;  
FIG. 7 is a right side view thereof; and  
FIG. 8 is a top view thereof with the peripheral expansion cover removed; and,  
FIG. 9 is a bottom view thereof.

(56) **References Cited**

**U.S. PATENT DOCUMENTS**

D397,679 S \* 9/1998 Hawkins et al. .... D14/342

**1 Claim, 6 Drawing Sheets**



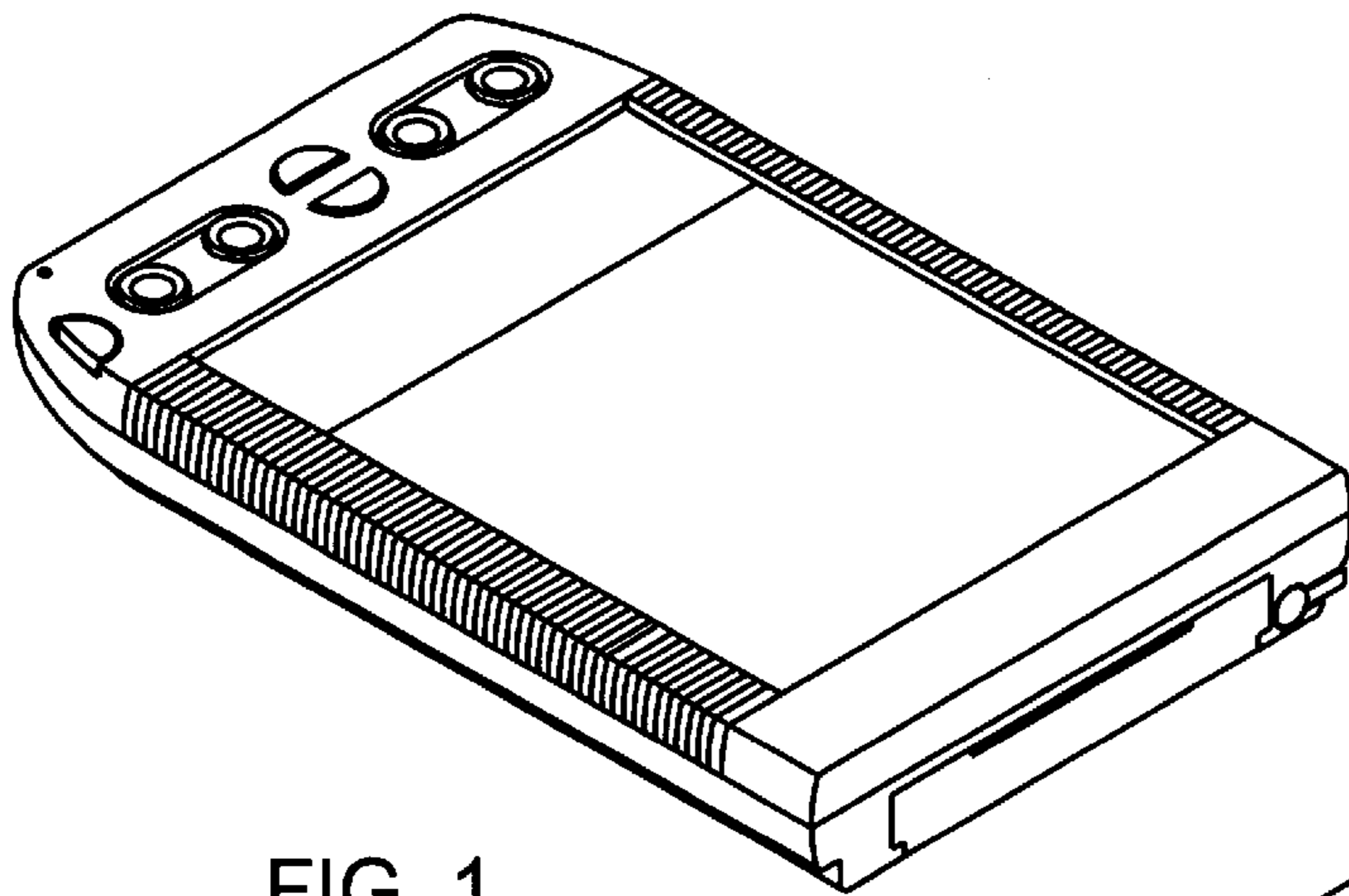


FIG. 1

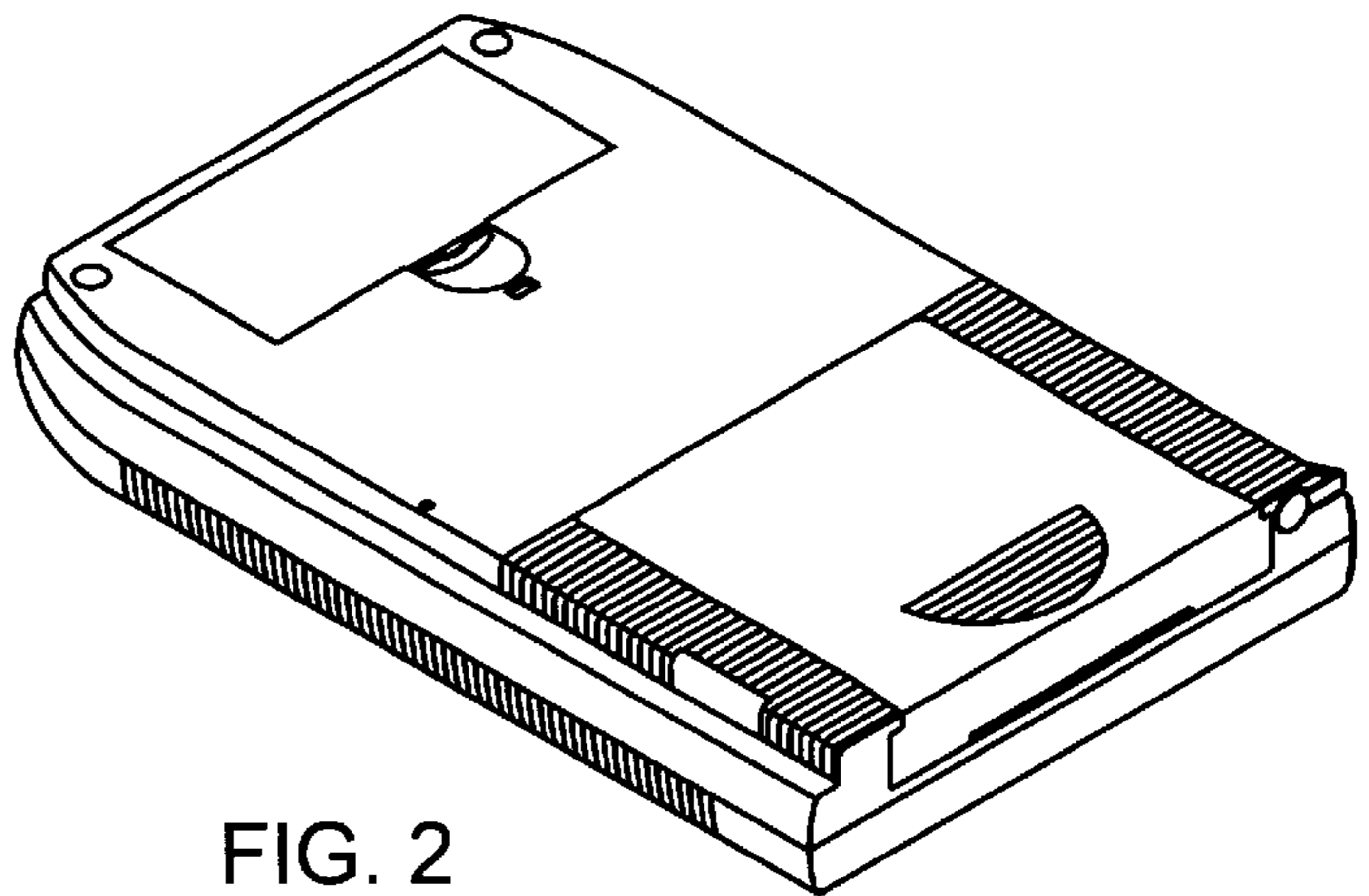


FIG. 2

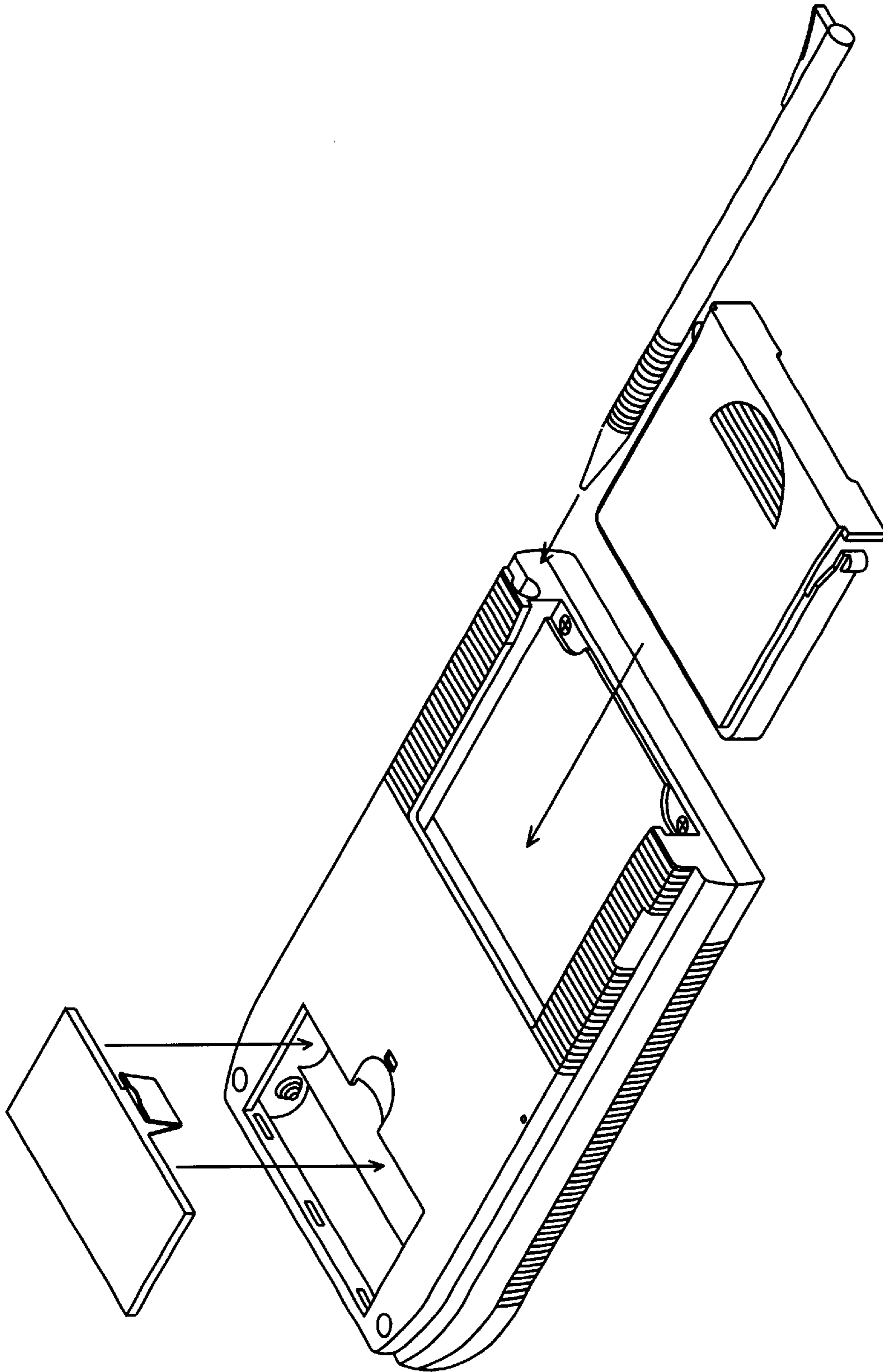


FIG. 3

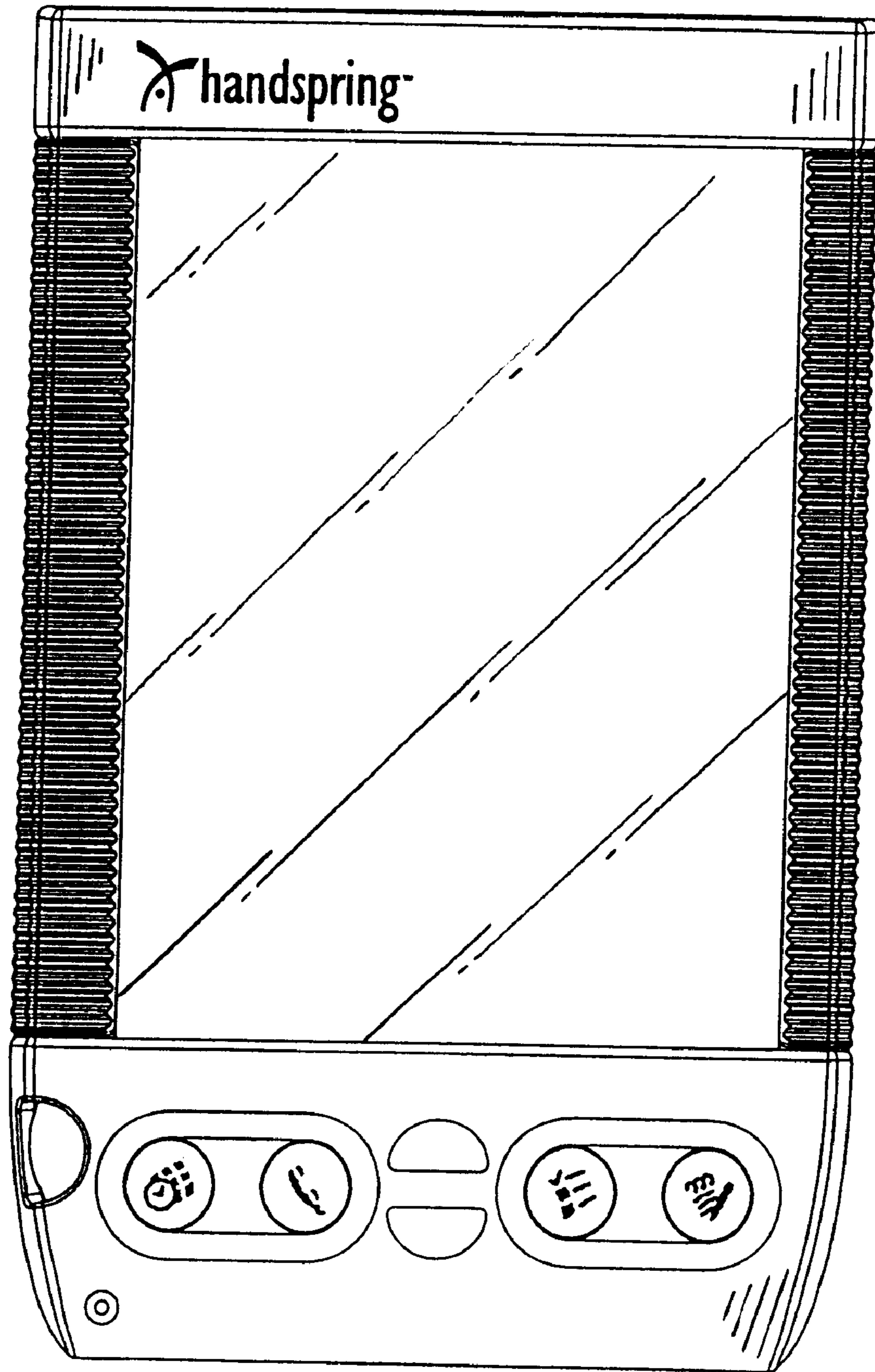


FIG. 4



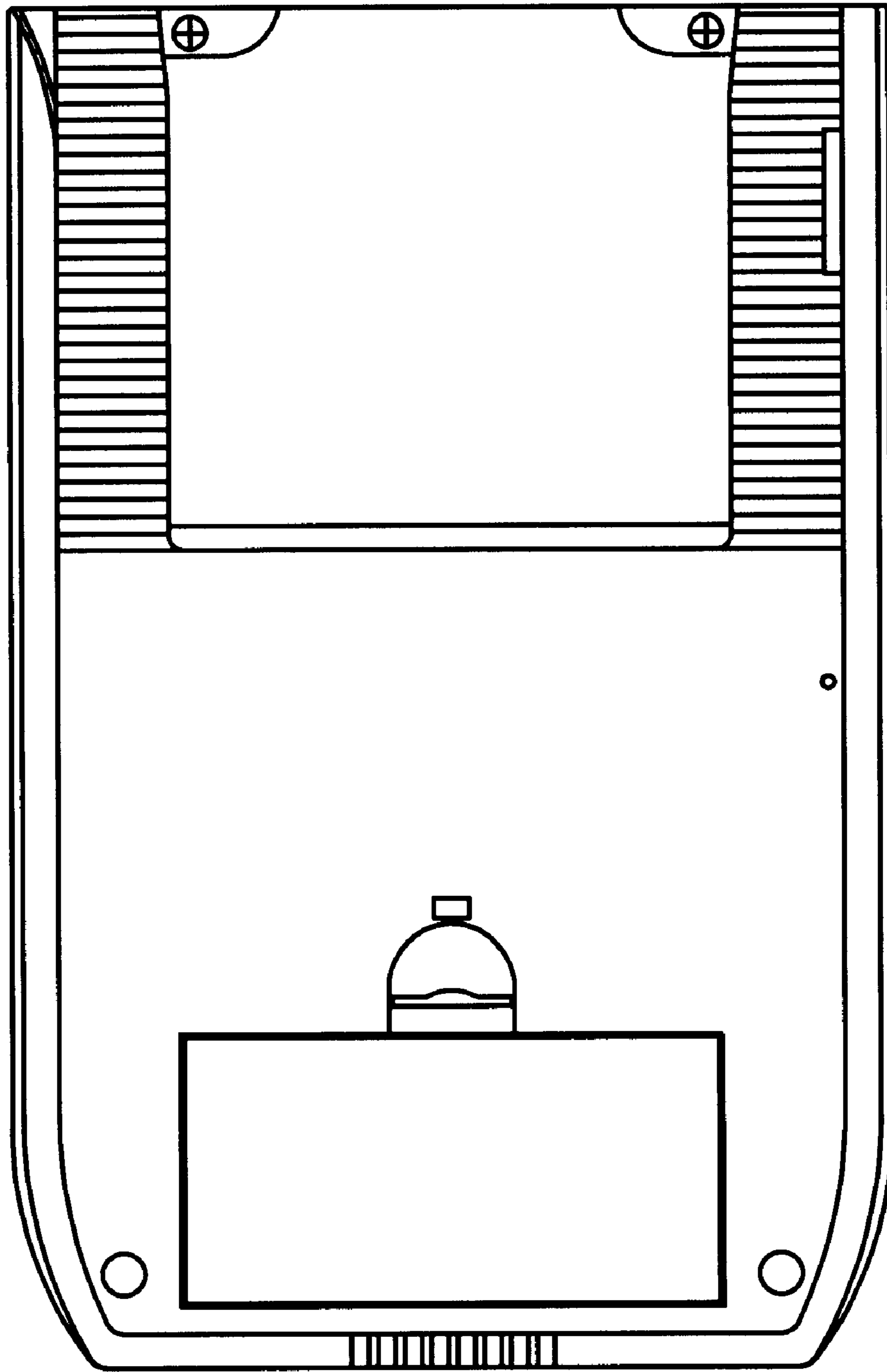


FIG. 5

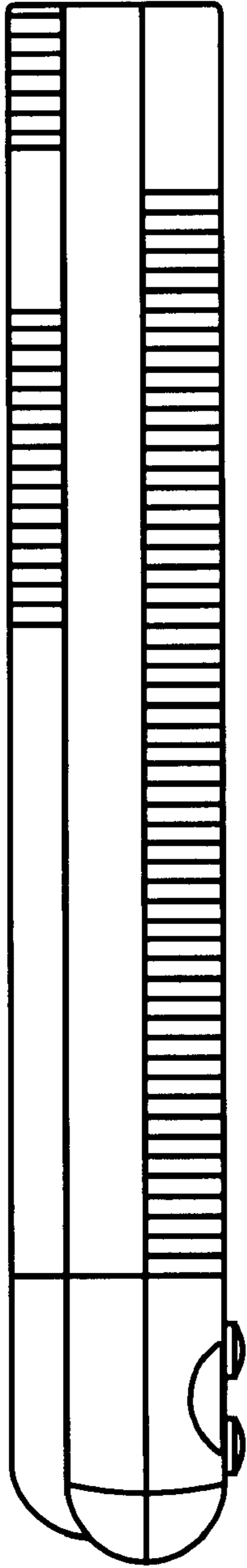


FIG. 6

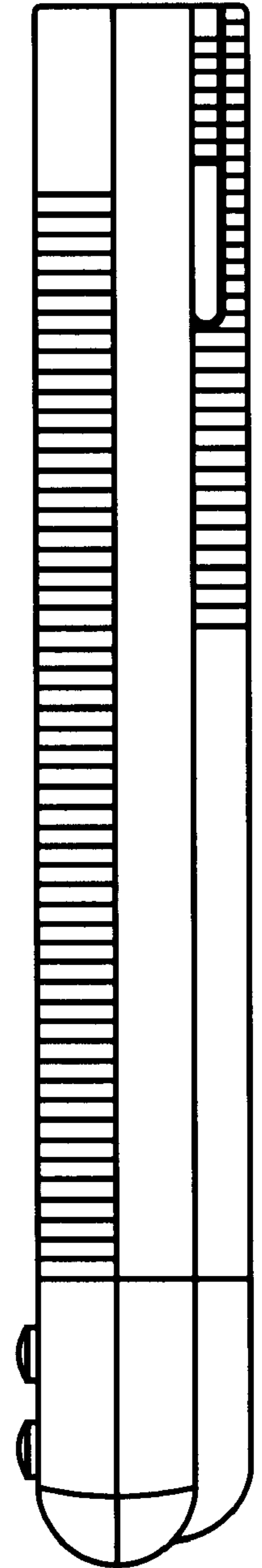


FIG. 7

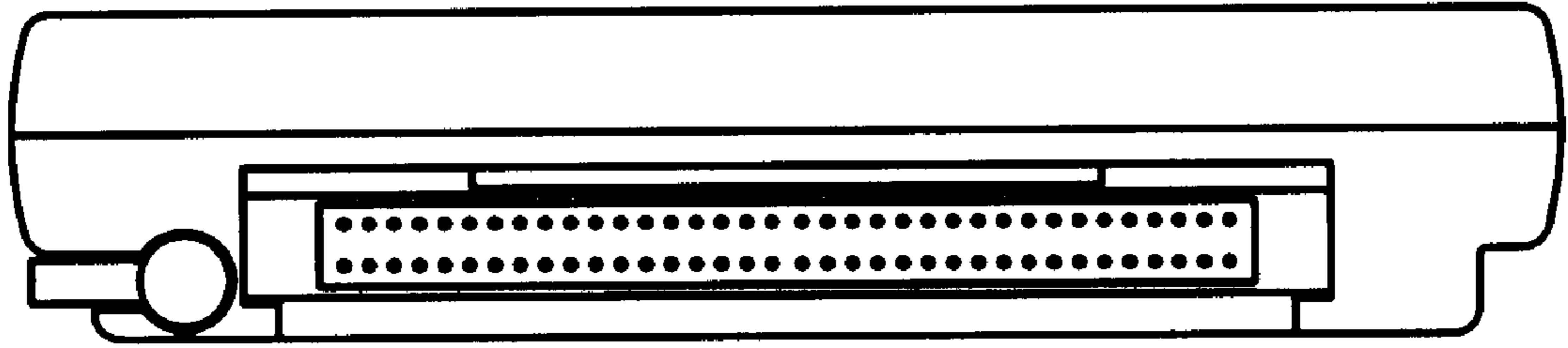


FIG. 8

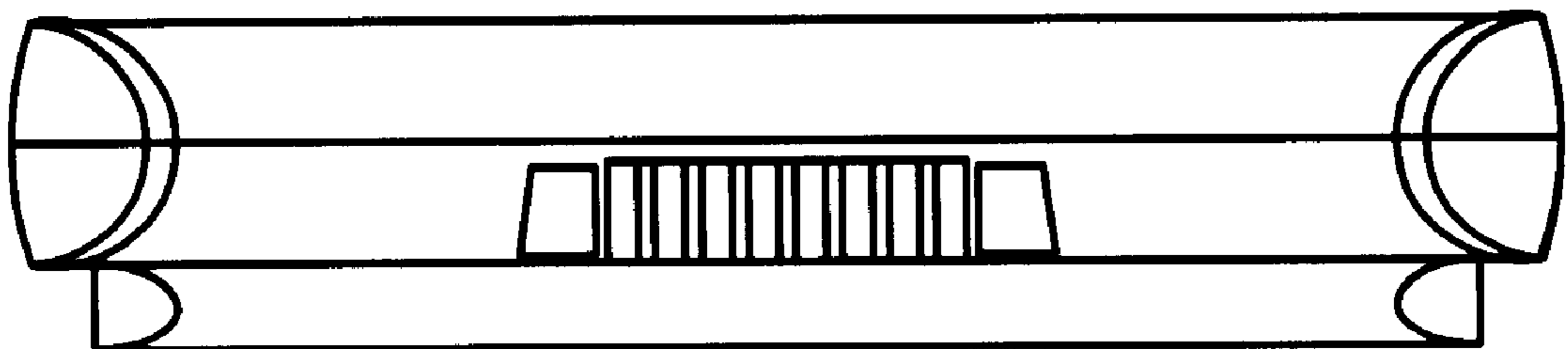


FIG. 9