



US00D482358S

(12) **United States Design Patent** (10) **Patent No.:** **US D482,358 S**  
**Schultze et al.** (45) **Date of Patent:** **\*\* Nov. 18, 2003**

(54) **OPERATOR STATION OF A CARD PERSONALIZATION SYSTEM**

(75) Inventors: **Gary T. Schultze**, Burnsville, MN (US); **Robert A. Sells**, Minneapolis, MN (US); **Richard A. Thompson**, Minneapolis, MN (US)

(73) Assignee: **Datacard Corporation**, Minnetonka, MN (US)

(\*\*) Term: **14 Years**

(21) Appl. No.: **29/155,001**

(22) Filed: **Feb. 1, 2002**

(51) **LOC (7) Cl.** ..... **14-02**

(52) **U.S. Cl.** ..... **D14/302**

(58) **Field of Search** ..... D14/302-307;  
D13/162, 184, 199; 312/223.2, 223.3; 235/375, 475, 381

(56) **References Cited**

**U.S. PATENT DOCUMENTS**

D159,159 S	*	6/1950	Mohr	.....	D14/306
D266,513 S	*	10/1982	Richelet et al.	.....	D14/305
4,384,196 A	*	5/1983	McCumber et al.	.....	235/375
4,992,950 A	*	2/1991	Francisco	.....	700/213
5,012,073 A	*	4/1991	Hewitt et al.	.....	235/375
5,037,216 A		8/1991	Nubson et al.	.....	400/120
5,266,781 A		11/1993	Warwick et al.	.....	235/375
5,837,991 A		11/1998	LaManna et al.	.....	235/475
6,027,020 A	*	2/2000	Meyer-Wittreck et al.	..	235/381

**OTHER PUBLICATIONS**

Brochure entitled "You're in the Market for a New Card Personalization System—You Now Have a Choice. Look to the New Horizon", *Card Technology Corporation—An NBS Company*, 2 pgs. (© 1995).

Brochure entitled "Technology Leaders in Plastic Card Personalization—Logika," *Logicka Comp S.p.A.*, 8 pgs. (Date unknown. This publication was in possession of the Assignee prior to the filing date of the present application). 2 black and white photographs of the operator station of a card personalization system from Logika Comp, of Milan, Italy in possession of the Assignee prior to the filing date of the present application, 2 photographs.

\* cited by examiner

*Primary Examiner*—Freda Nunn

(74) *Attorney, Agent, or Firm*—Merchant & Gould P.C.

(57) **CLAIM**

The ornamental design for an operator station of a card personalization system, as shown and described.

**DESCRIPTION**

FIG. 1 is a perspective view of an operator station according to our new design;

FIG. 2 is a front elevation view of the operator station depicted in FIG. 1;

FIG. 3 is a rear elevation view of the operator station depicted in FIG. 1;

FIG. 4 is a right side elevation view of the operator station depicted in FIG. 1;

FIG. 5 is a left side elevation view of the operator station depicted in FIG. 1;

FIG. 6 is a top plan view of the operator station depicted in FIG. 1; and,

FIG. 7 is a bottom plan view of the operator station depicted in FIG. 1.

The broken lines in the drawings are for illustrative purposes only, and the broken lines form no part of the claimed design.

**1 Claim, 7 Drawing Sheets**

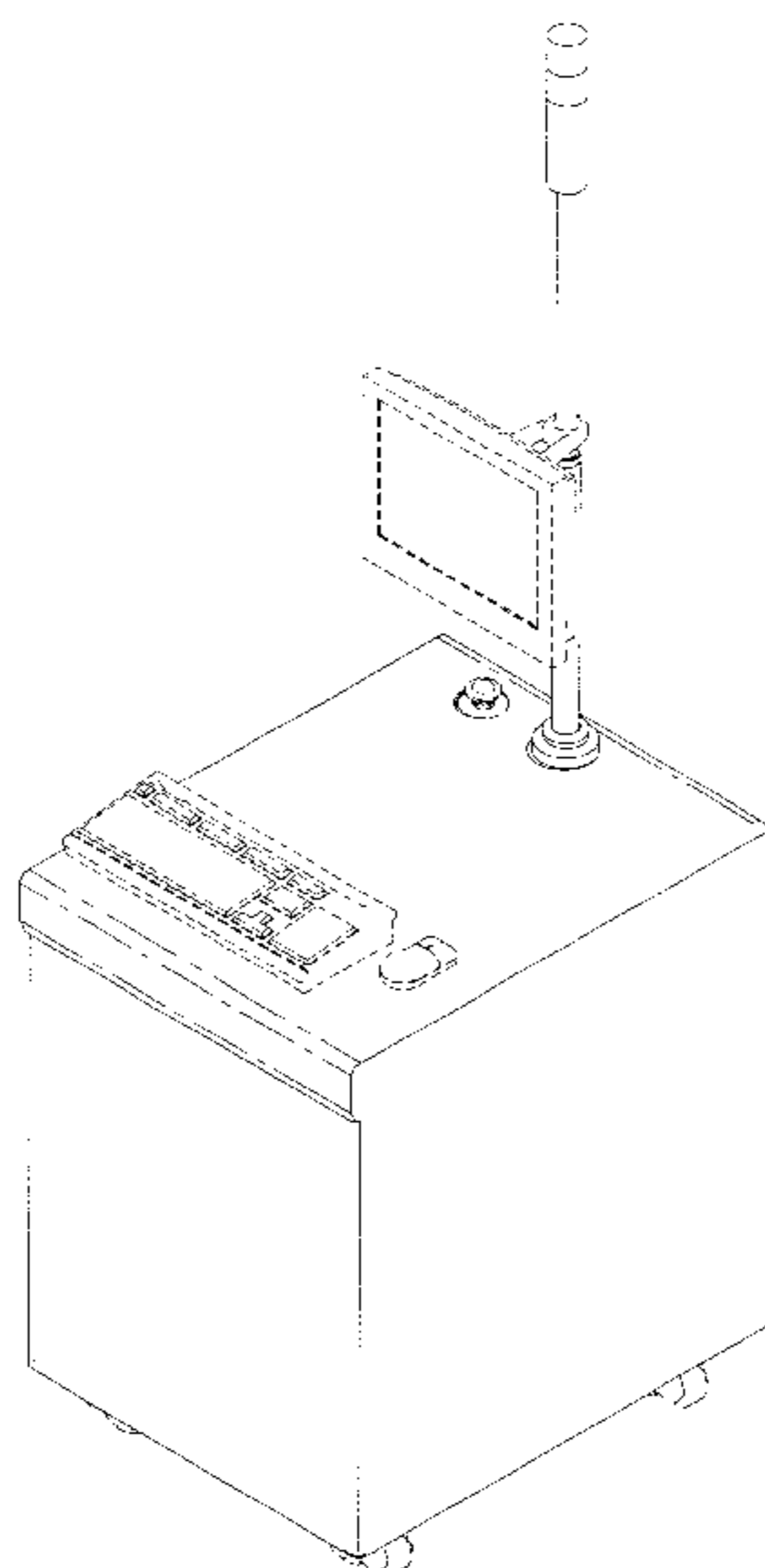


FIG. 1

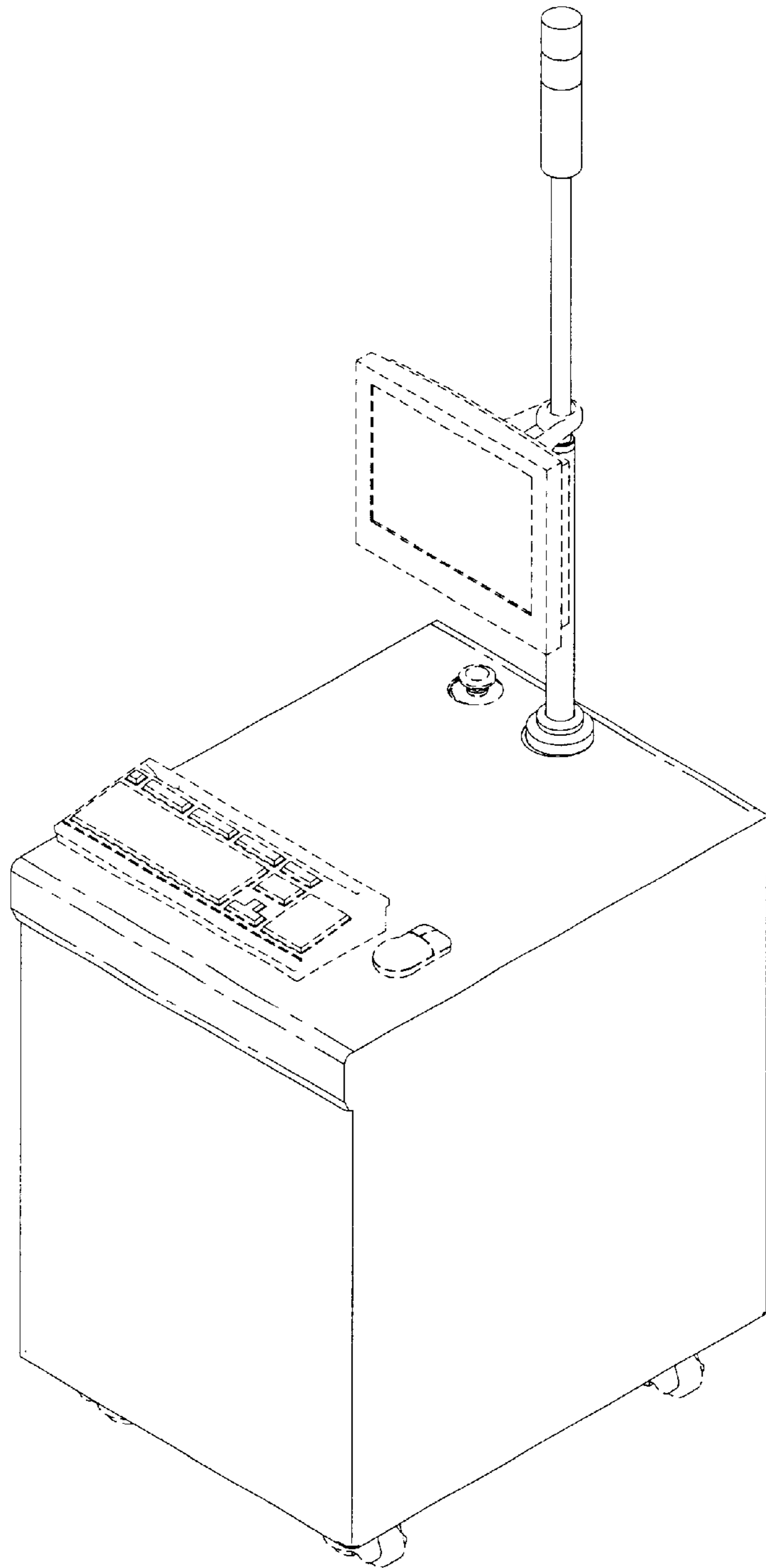


FIG. 2

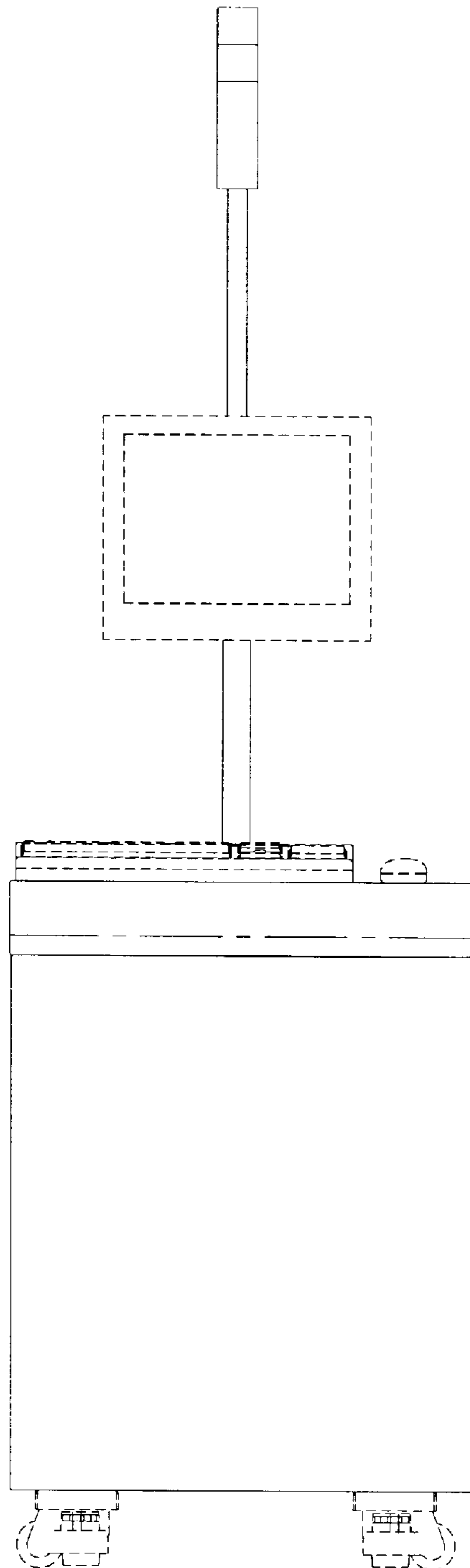


FIG. 3

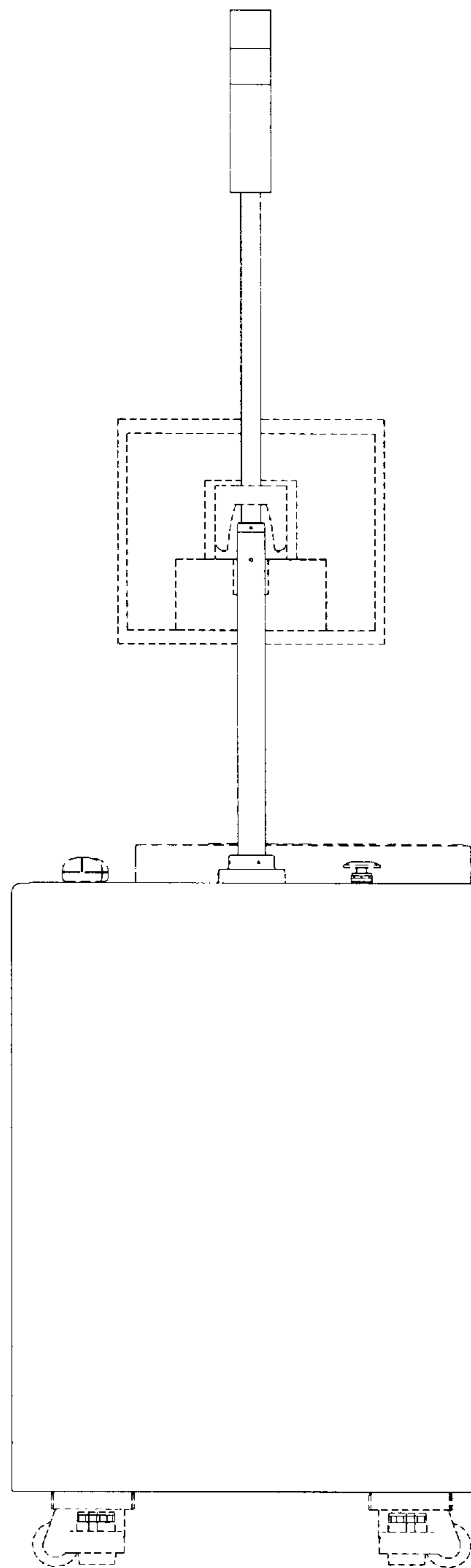


FIG. 4

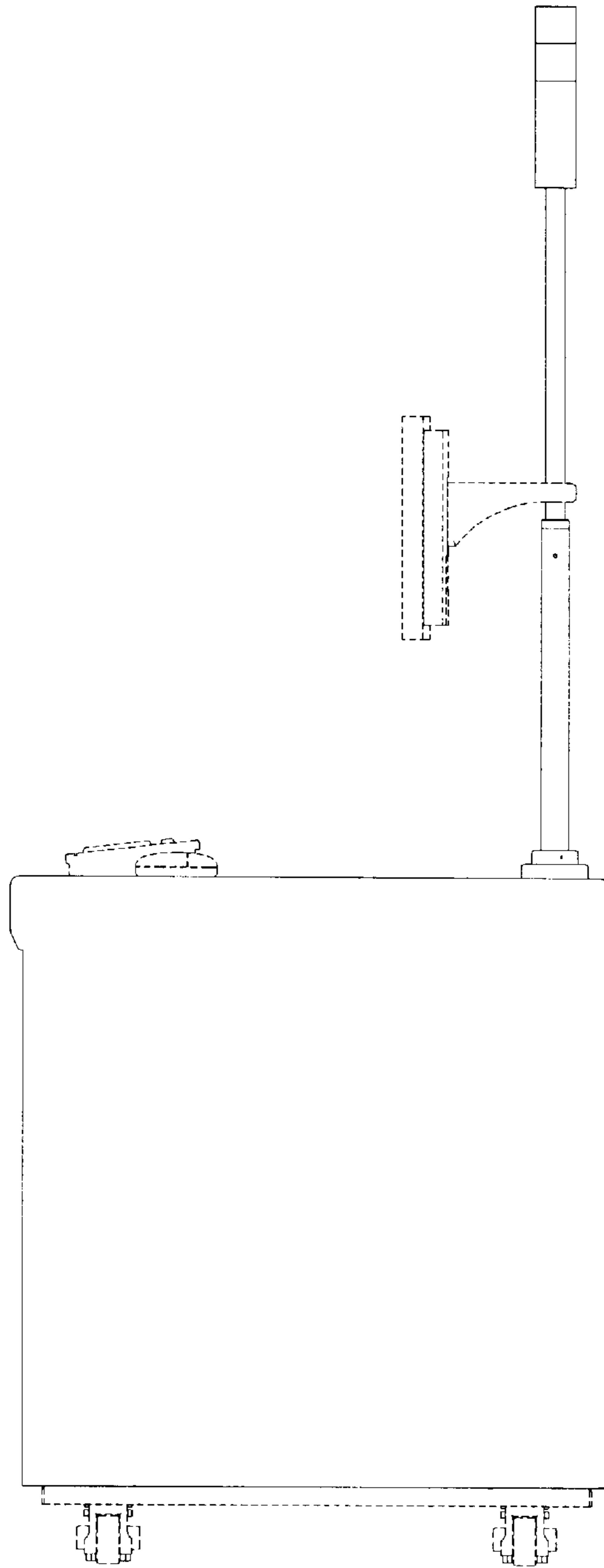


FIG. 5

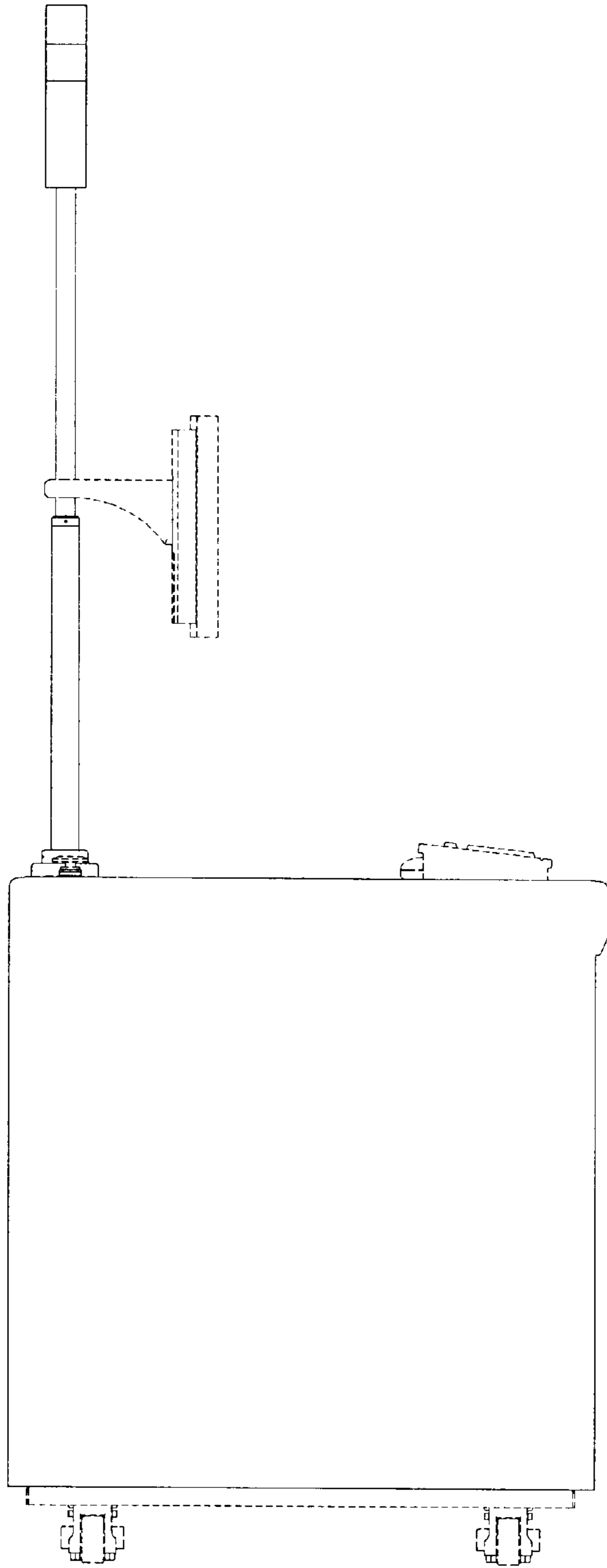


FIG. 6

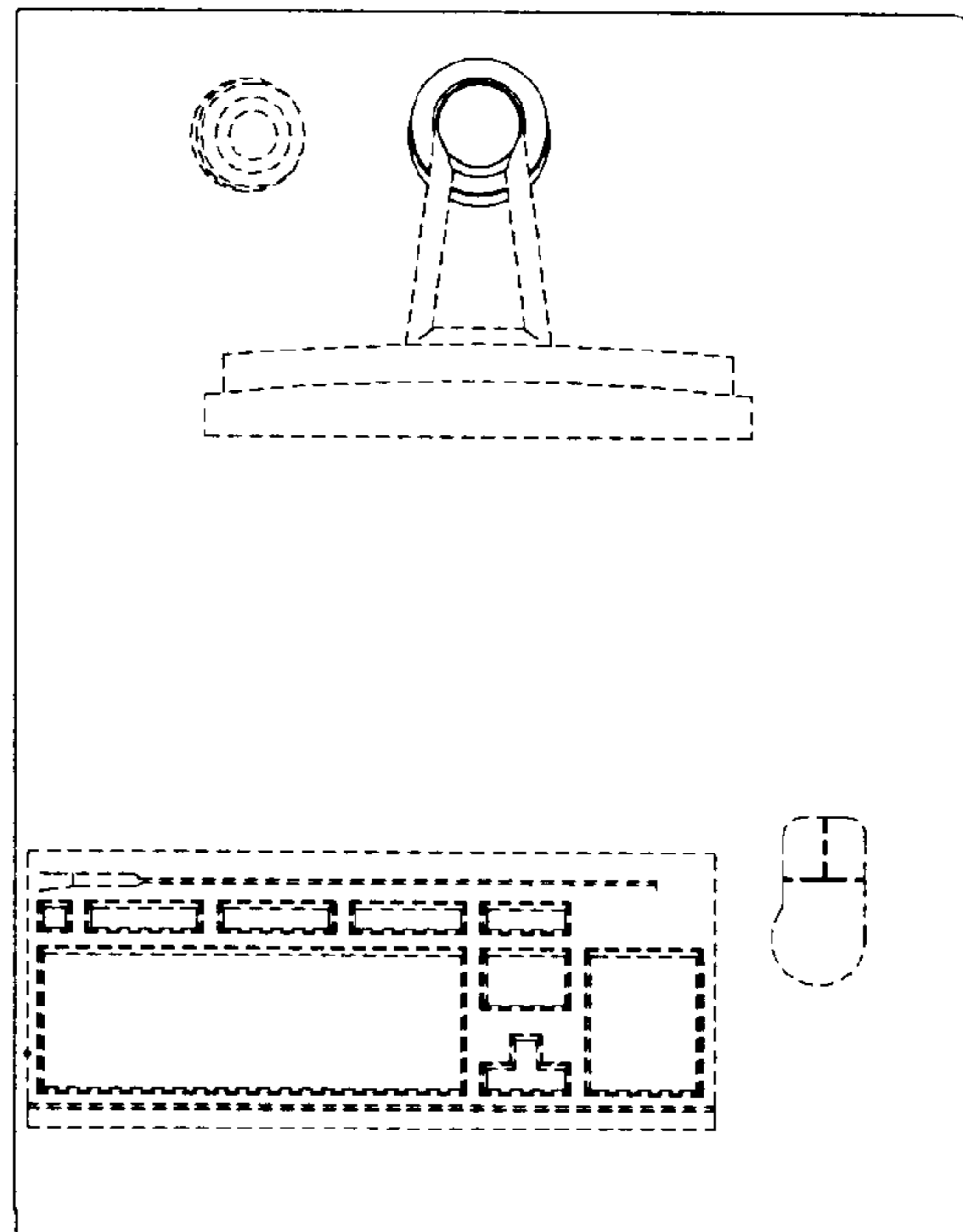


FIG. 7

