



US00D482355S

(12) **United States Design Patent**
Dalby

(10) **Patent No.:** **US D482,355 S**

(45) **Date of Patent:** **** Nov. 18, 2003**

(54) **BACK COVER FOR A HANDSET**

(75) Inventor: **Anthony Dalby**, London (GB)

(73) Assignee: **Nokia Corproation**, Espoo (FI)

(**) Term: **14 Years**

(21) Appl. No.: **29/164,004**

(22) Filed: **Jul. 18, 2002**

(30) **Foreign Application Priority Data**

Jan. 18, 2002 (FI) M20020052

(51) **LOC (7) Cl.** **14-03**

(52) **U.S. Cl.** **D14/248**

(58) **Field of Search** D14/137, 240,
D14/138, 218, 147-148, 247-248, 144,
191, 341-347; 379/433.01-433.13, 419,
434, 428.01-428.04, 420.01-420.04, 440;
455/550-575, 90; D21/517, 329, 331, 333;
D13/103, 119, 168

(56) **References Cited**

U.S. PATENT DOCUMENTS

D395,277 S	*	6/1998	Finke-Anlauff	D13/103
D412,704 S	*	8/1999	Vuolteenaho et al.	D14/138
D419,155 S	*	1/2000	Nagele et al.	D14/138
D419,550 S	*	1/2000	Caroen et al.	D14/138
D421,004 S	*	2/2000	Curtis	D14/138
D422,282 S	*	4/2000	Curtis	D14/248
D425,906 S	*	5/2000	Finkbeiner	D14/248
D428,401 S	*	7/2000	Curtis	D14/138
D434,402 S	*	11/2000	Lee	D14/138
D446,198 S	*	8/2001	Park et al.	D14/138
D448,366 S	*	9/2001	Youngers et al.	D14/240

D451,897 S	*	12/2001	Hiroko	D14/138
D451,913 S	*	12/2001	Vuolteenaho et al.	D14/248
D452,968 S	*	1/2002	Evers et al.	D14/345
D453,930 S	*	2/2002	Vuolteenaho et al.	D14/248
D454,868 S	*	3/2002	Vuolteenaho et al.	D14/248
D455,413 S	*	4/2002	Lee	D14/138
D458,915 S	*	6/2002	Shintani	D14/147
D459,322 S	*	6/2002	Hyun	D14/138
D459,325 S	*	6/2002	Nakahara	D14/138
D459,327 S	*	6/2002	Ali	D14/138
D459,711 S	*	7/2002	Lee	D14/138
D462,064 S	*	8/2002	Kim	D14/138
D462,071 S	*	8/2002	Ruohonen	D14/248
D468,281 S	*	1/2003	Taniguchi et al.	D14/138
D470,829 S	*	2/2003	Dalby et al.	D14/138

* cited by examiner

Primary Examiner—Jeffrey Asch

(74) *Attorney, Agent, or Firm*—Banner & Witcoff, Ltd.

(57) **CLAIM**

The ornamental design for a back cover for a handset, as shown and described.

DESCRIPTION

FIG. 1 is a top plan view of a back cover for a handset showing my new design;
FIG. 2 is a left side view thereof;
FIG. 3 is a front view thereof;
FIG. 4 is a right side view thereof;
FIG. 5 is a bottom plan view thereof; and,
FIG. 6 is a perspective front view thereof.
The broken line showing of the internal surfaces and the extending tabs is for illustrative purposes only and forms no part of the claimed design.

1 Claim, 2 Drawing Sheets

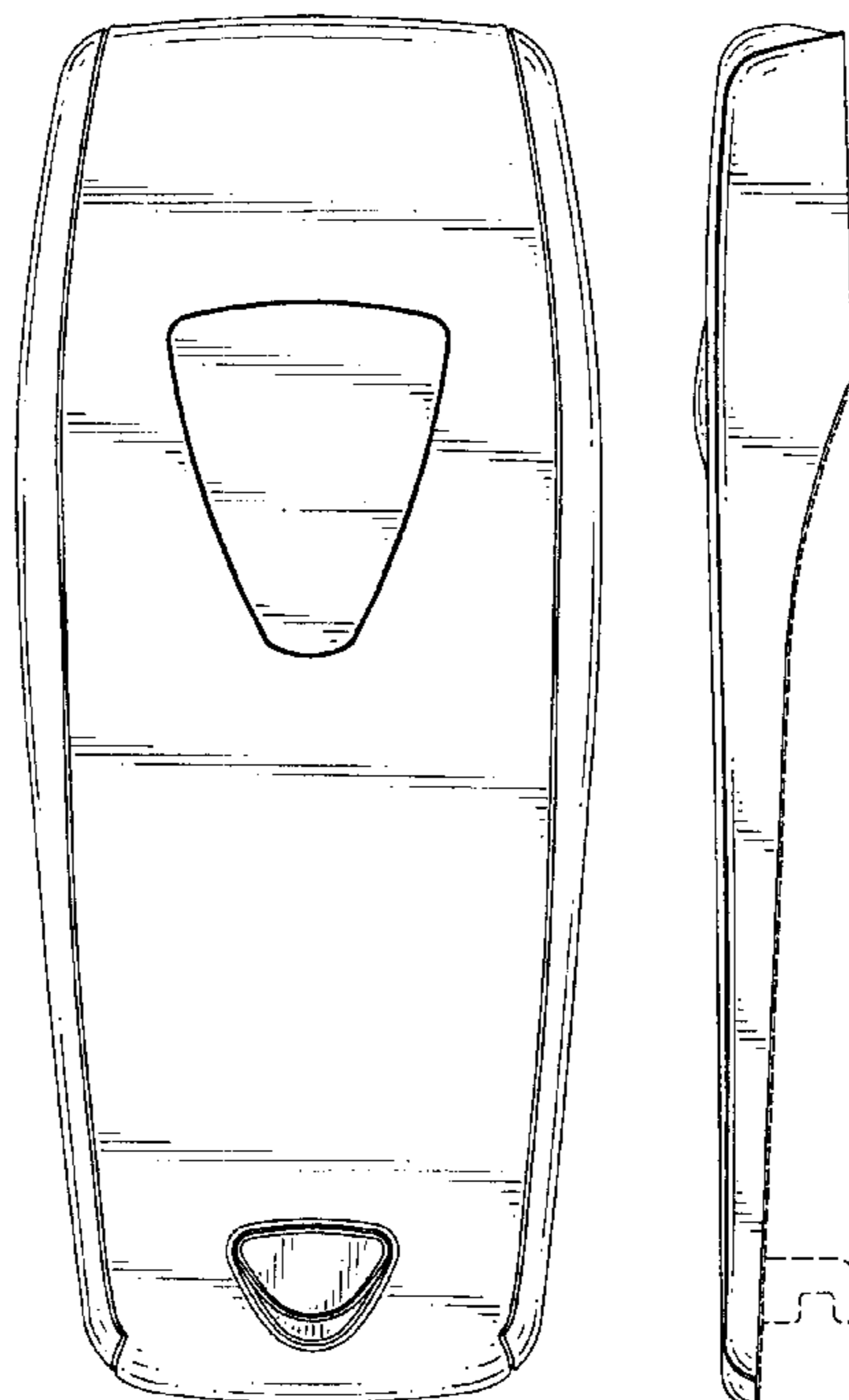




FIG. 1

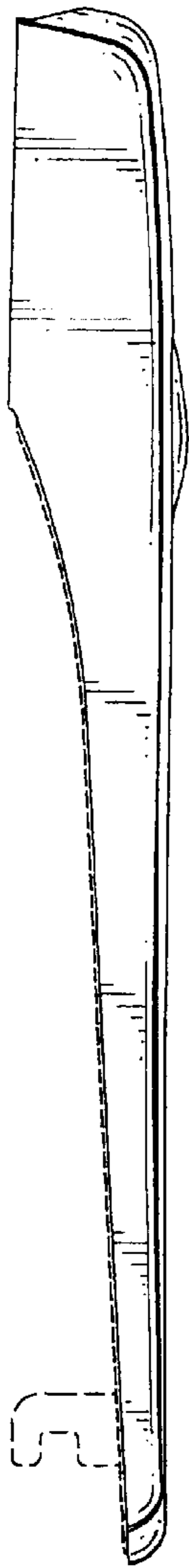


FIG. 2

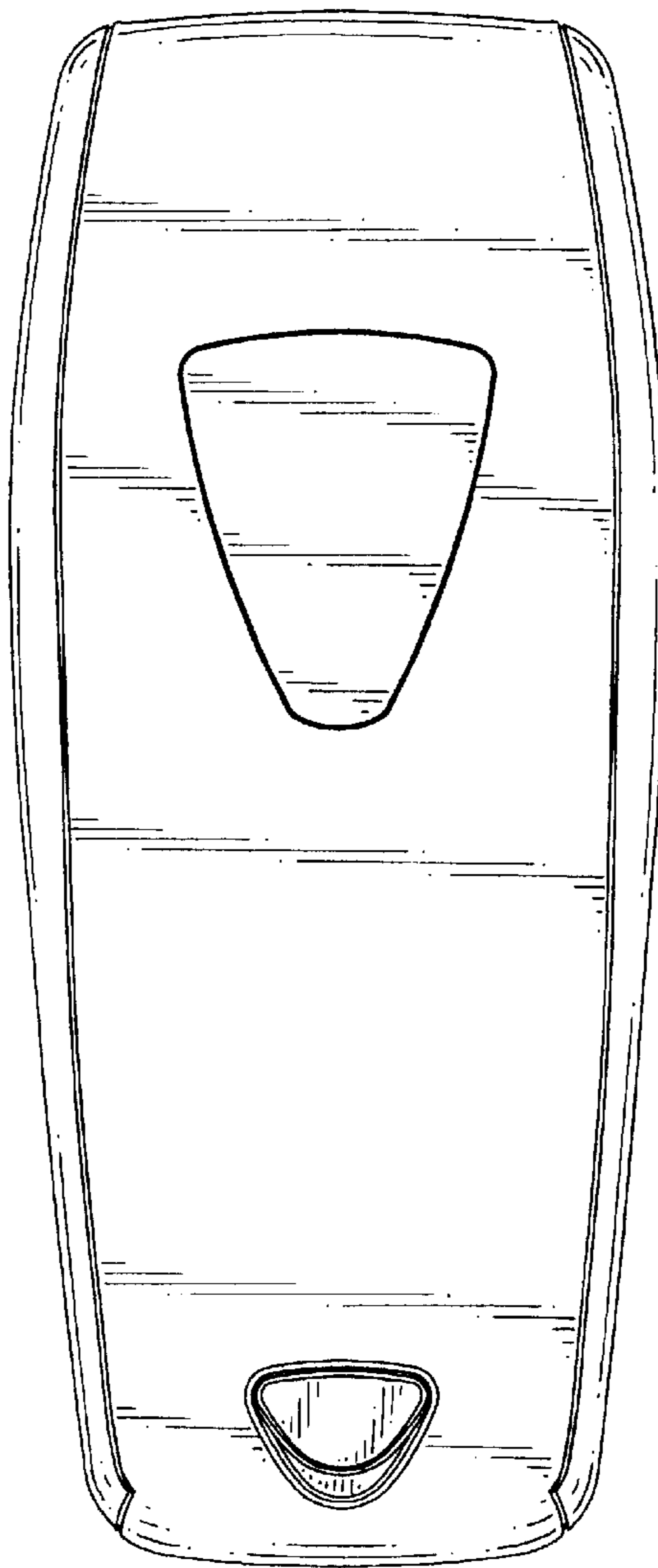


FIG. 3

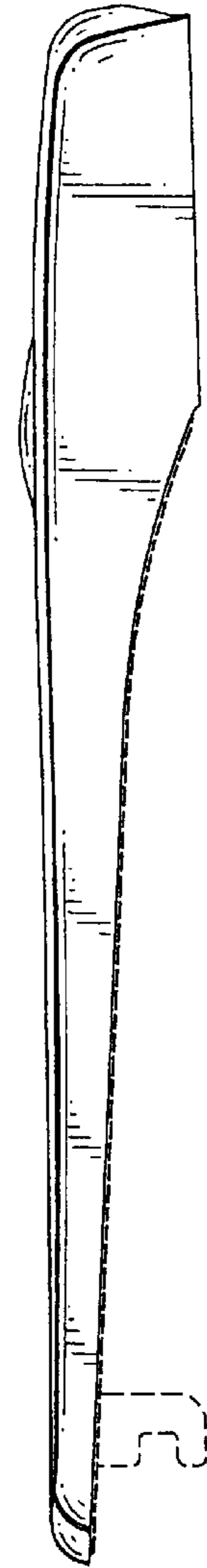


FIG. 4



FIG. 5

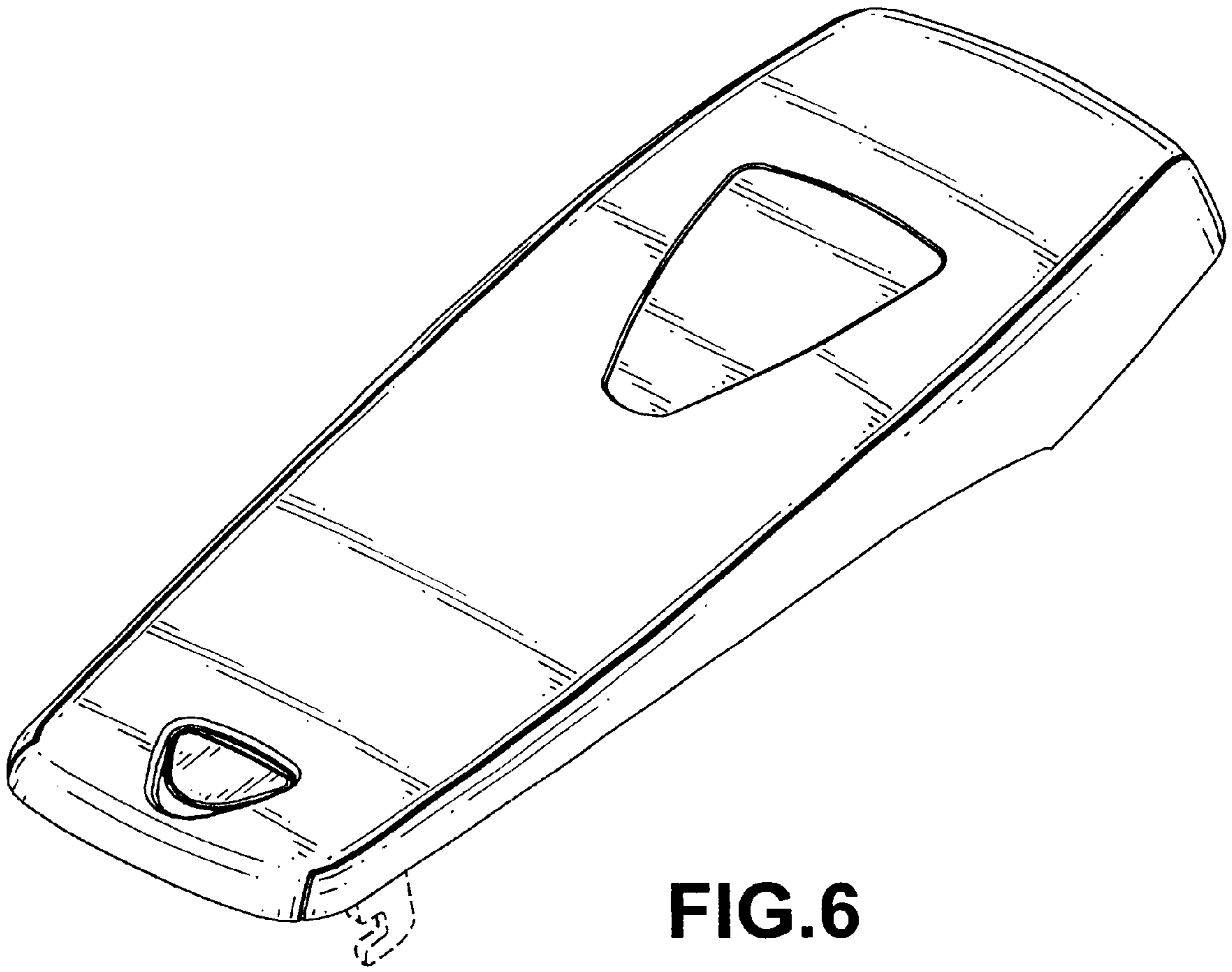


FIG.6