



US00D482348S

(12) **United States Design Patent**
Villaverde et al.

(10) **Patent No.:** **US D482,348 S**

(45) **Date of Patent:** **** Nov. 18, 2003**

(54) **EARBUD**

D430,146 S * 8/2000 Lin D14/223
D470,478 S * 2/2003 Kohli et al. D14/223

(75) Inventors: **Marcial Villaverde**, Mt. Prospect, IL (US); **Heinrich Johannes Catto**, Centurion (ZA); **Anastasios Calantzis**, Pretoria (ZA); **Marko Babic**, Santa Monica, CA (US)

* cited by examiner

Primary Examiner—Paula A. Mortimer

(74) *Attorney, Agent, or Firm*—Pillsbury Winthrop LLP

(73) Assignee: **Fellowes, Inc.**, Itasca, IL (US)

(**) Term: **14 Years**

(57) **CLAIM**

The ornamental design for an earbud, as shown and described.

(21) Appl. No.: **29/170,336**

DESCRIPTION

(22) Filed: **Nov. 5, 2002**

A portion of the disclosure of this patent document contains material to which a claim for copyright is made. The copyright owner has no objection to the facsimile reproduction of the patent document or the patent disclosure, as it appears in the Patent and Trademark Office patent file or records, but reserves all other copyrights whatsoever.

(51) **LOC (7) Cl.** **14-01**

(52) **U.S. Cl.** **D14/223**

(58) **Field of Search** D14/188, 192, D14/205, 206, 223; 181/129, 130; 379/430, 433; 301/381, 370, 376, 377, 378, 379, 380; D24/174

FIG. 1 is a perspective view of an earbud showing our new design;

FIG. 2 is a left profile view of the earbud of FIG. 1;

FIG. 3 is a right profile view of the earbud of FIG. 1;

FIG. 4 is a top plan view of the earbud of FIG. 1;

FIG. 5 is a rear elevational view of the earbud of FIG. 1; and,

FIG. 6 is a front elevational view of the earbud of FIG. 1.

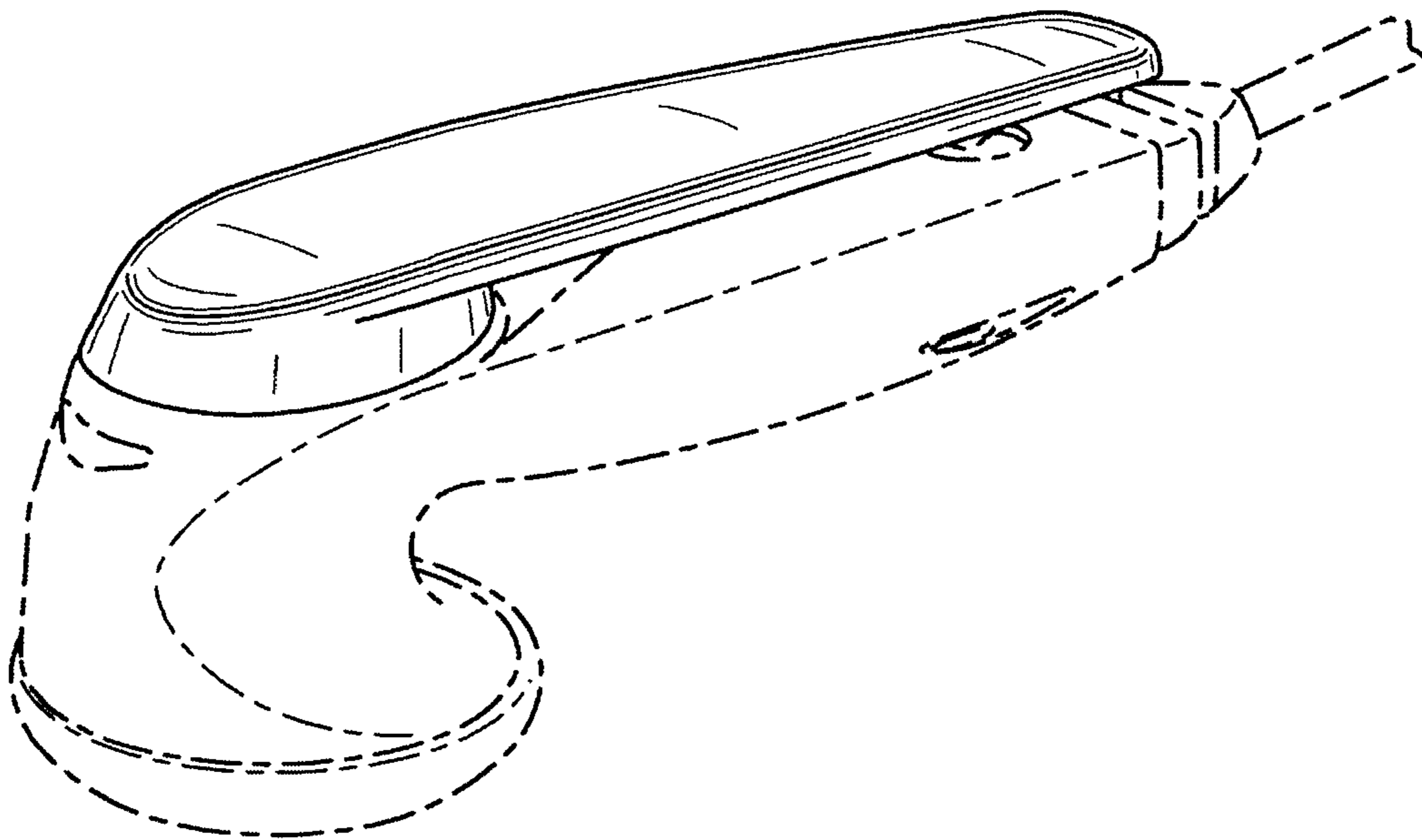
The broken lines in all views are for illustrative purposes only and forms no part of the claimed design.

(56) **References Cited**

U.S. PATENT DOCUMENTS

D337,119 S * 7/1993 Taniguchi D14/223
D337,589 S * 7/1993 Wada D14/223
D353,379 S * 12/1994 Nakamura et al. D14/223
D357,921 S * 5/1995 Ming-Chin D14/223
D369,349 S * 4/1996 Hayashi D14/223

1 Claim, 2 Drawing Sheets



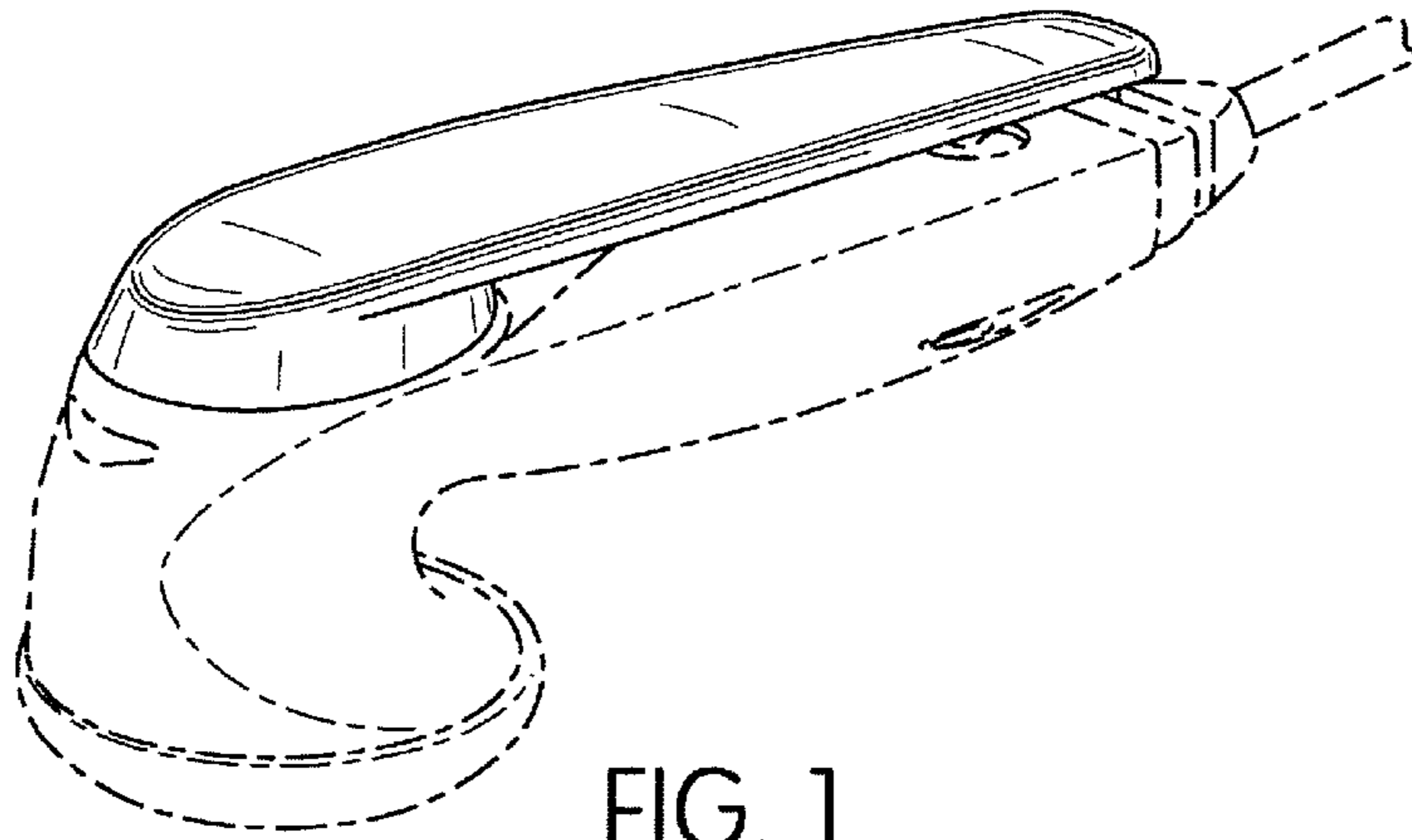


FIG. 1

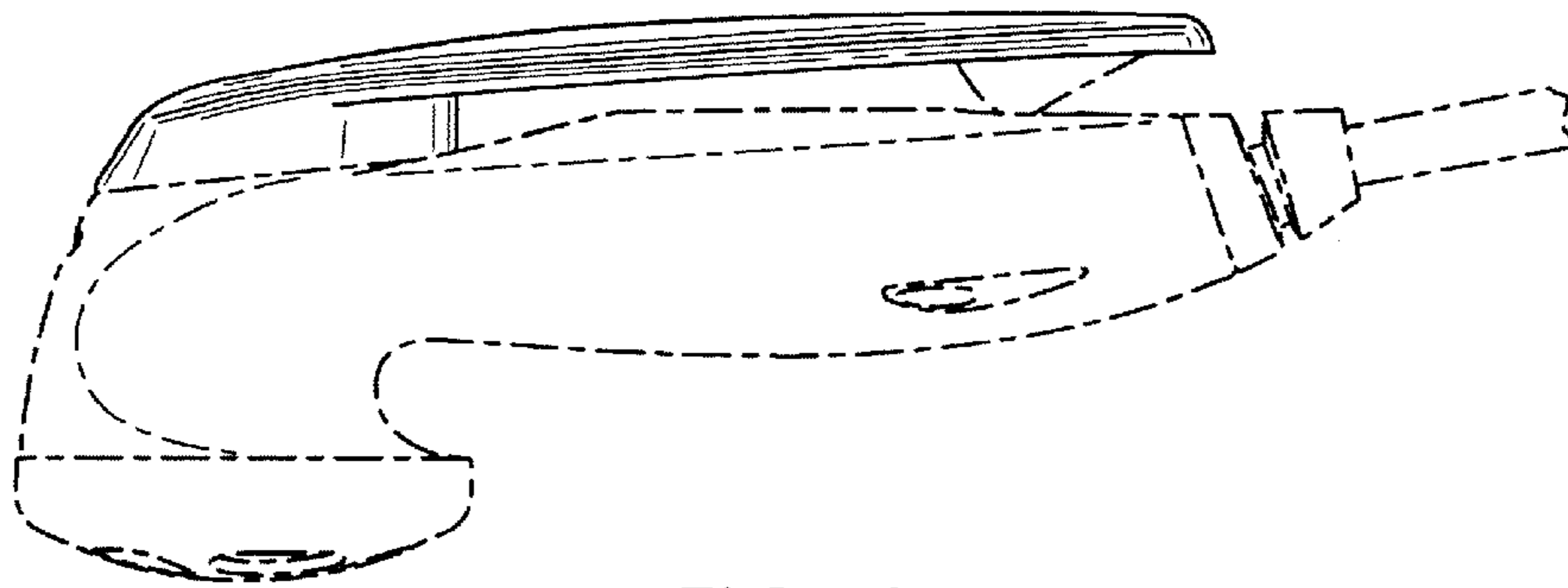


FIG. 2

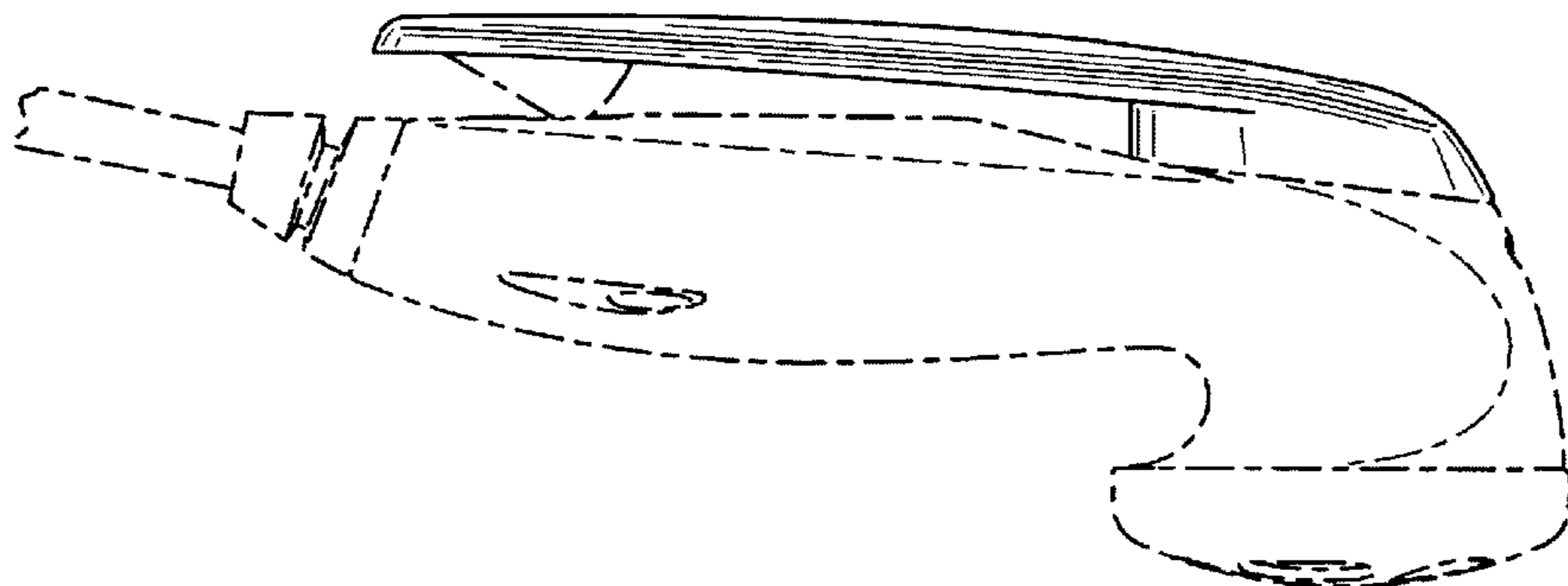


FIG. 3

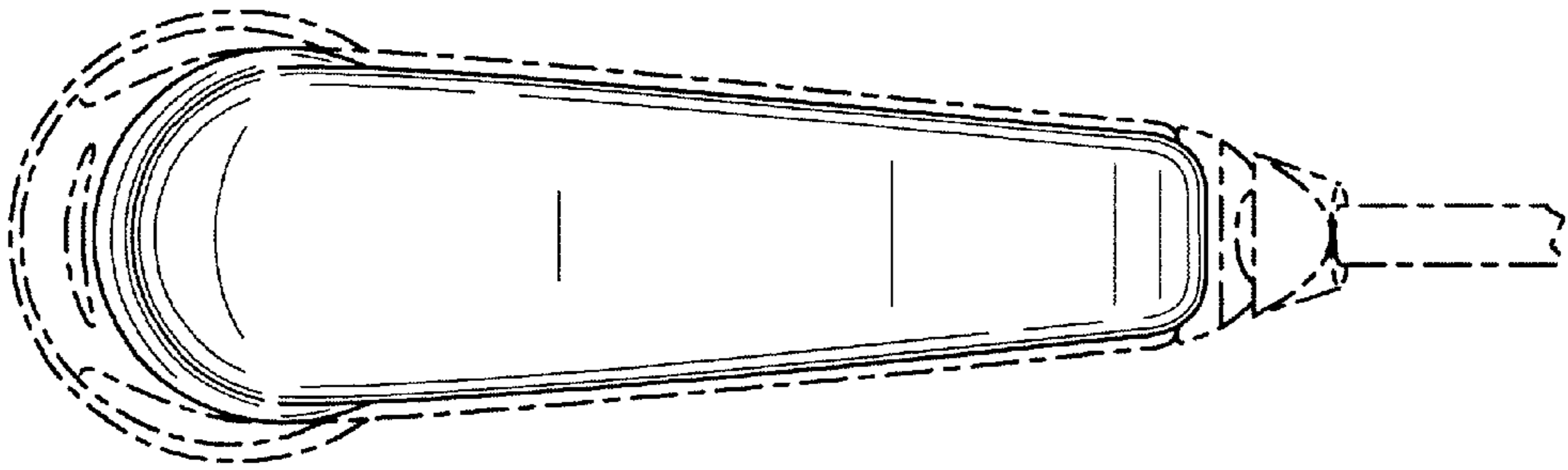


FIG. 4

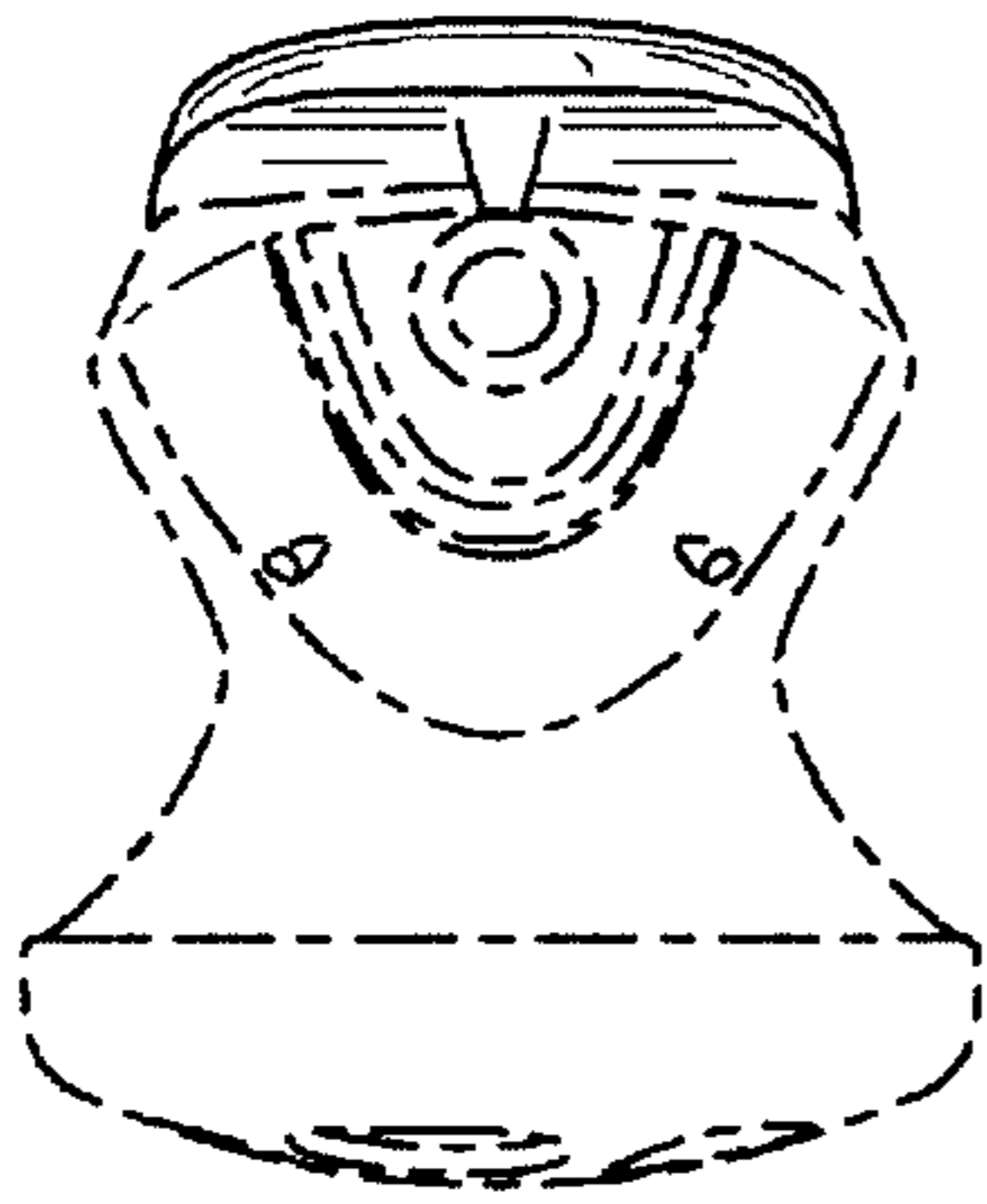


FIG. 5

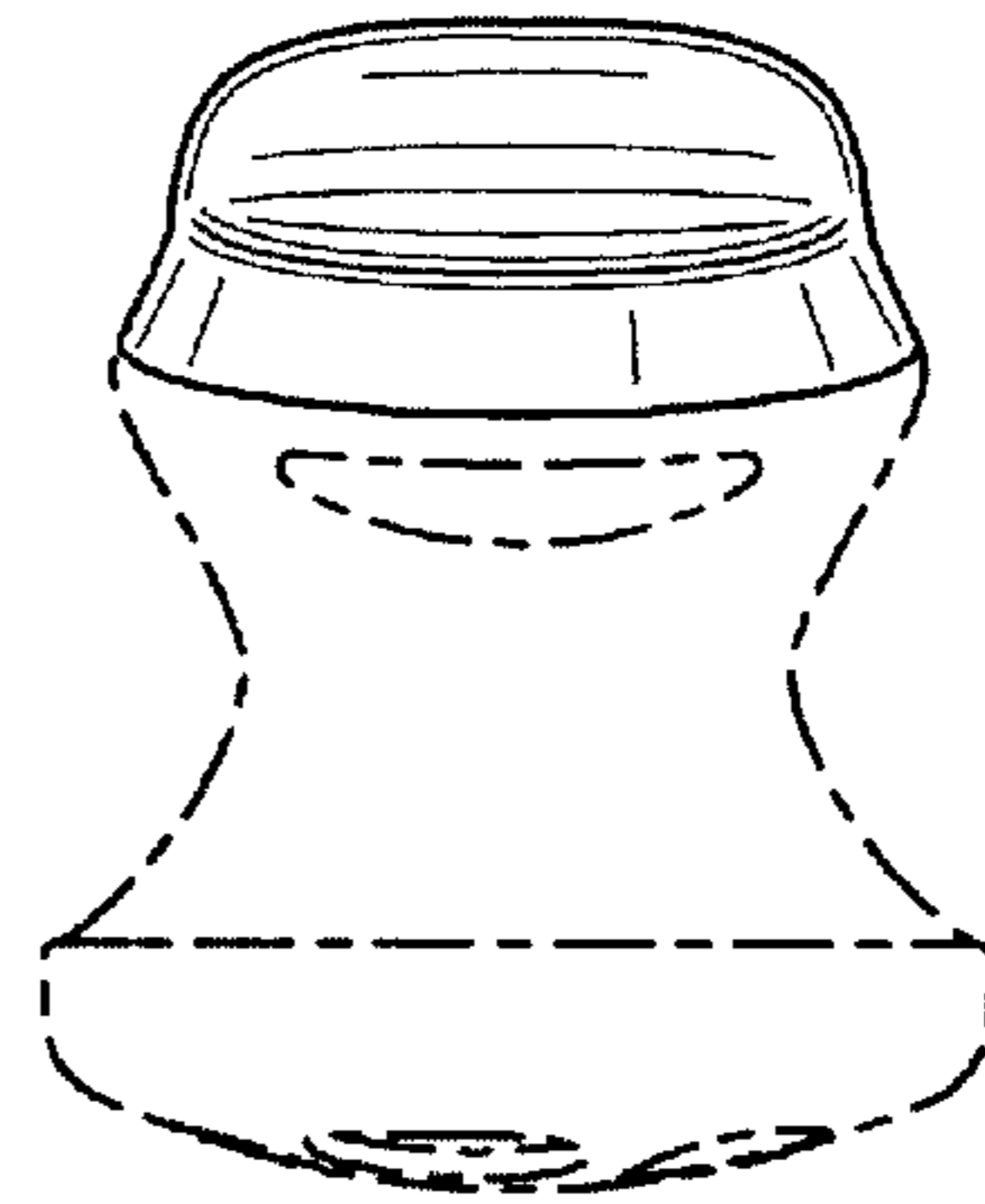


FIG. 6