



US00D482344S

(12) **United States Design Patent**
Green

(10) **Patent No.:** **US D482,344 S**

(45) **Date of Patent:** **** Nov. 18, 2003**

(54) **LOUDSPEAKER DESIGN**

(75) **Inventor:** **Seth N. Green**, Newton, MA (US)

(73) **Assignee:** **Bose Corporation**, Framingham, MA (US)

(**) **Term:** **14 Years**

(21) **Appl. No.:** **29/161,715**

(22) **Filed:** **May 31, 2002**

(51) **LOC (7) Cl.** **14-01**

(52) **U.S. Cl.** **D14/214**

(58) **Field of Search** D14/204, 207,
D14/209-216, 356; 181/143-145, 147-148,
150, 153, 157, 198-199; 381/300-302,
306, 333, 345, 361-364, 386-388

(56) **References Cited**

U.S. PATENT DOCUMENTS

D282,540 S * 2/1986 Clason D14/214

D290,699 S * 7/1987 Nakamura et al. D14/214

D295,857 S * 5/1988 Nagashima D14/210

D414,771 S * 10/1999 Hoyt et al. D14/214

D461,792 S * 8/2002 Silverstein et al. D14/214

* cited by examiner

Primary Examiner—Nanda Bondade

(74) *Attorney, Agent, or Firm*—Fish & Richardson P.C.

(57) **CLAIM**

The ornamental design for a loudspeaker design, substantially as shown and described.

DESCRIPTION

FIG. 1 is a perspective view of a loudspeaker incorporating the ornamental design;

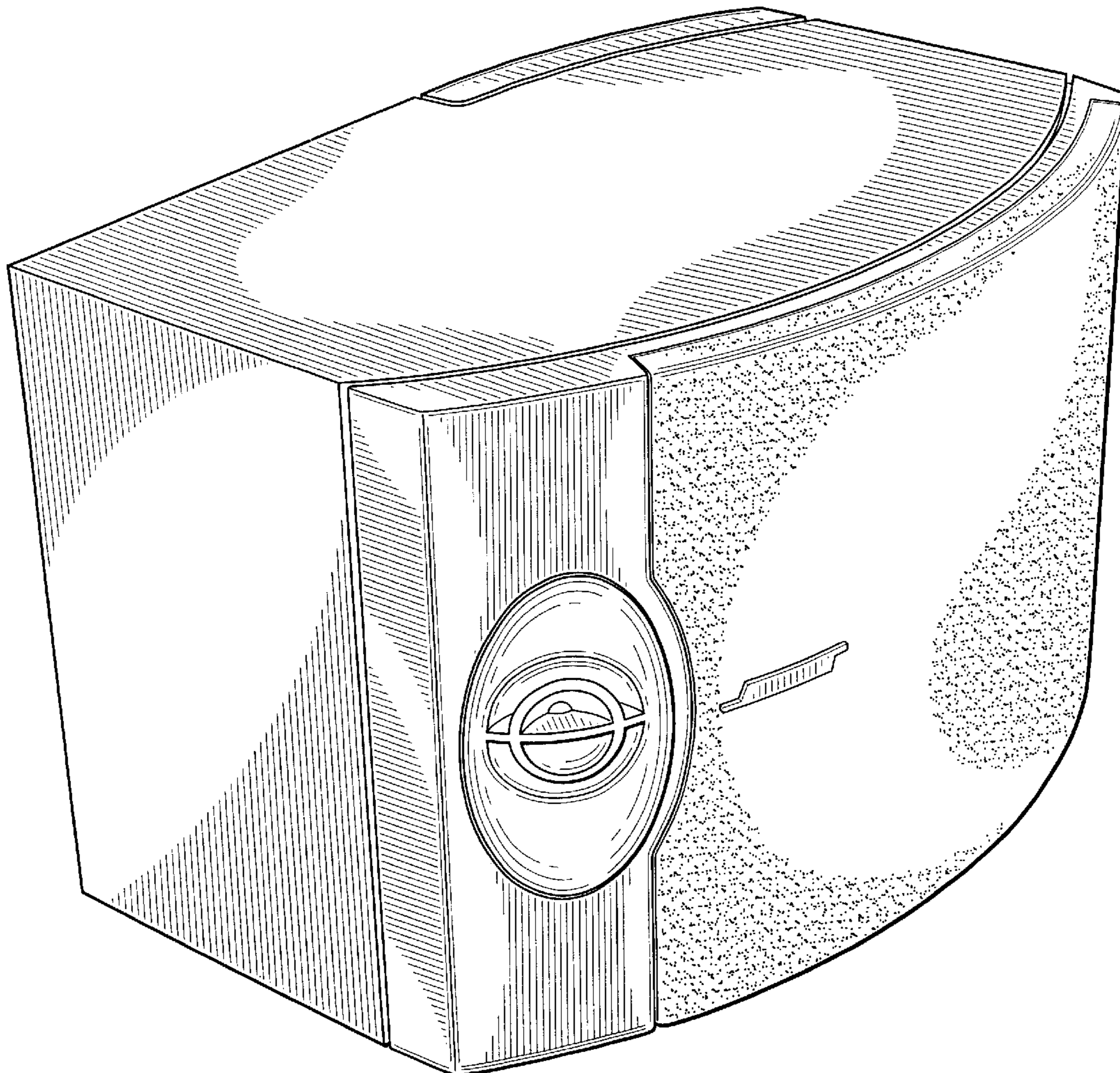
FIG. 2 is a front view thereof;

FIG. 3 is a top view thereof;

FIG. 4 is a side view thereof; and,

FIG. 5 is a rear view thereof.

1 Claim, 5 Drawing Sheets



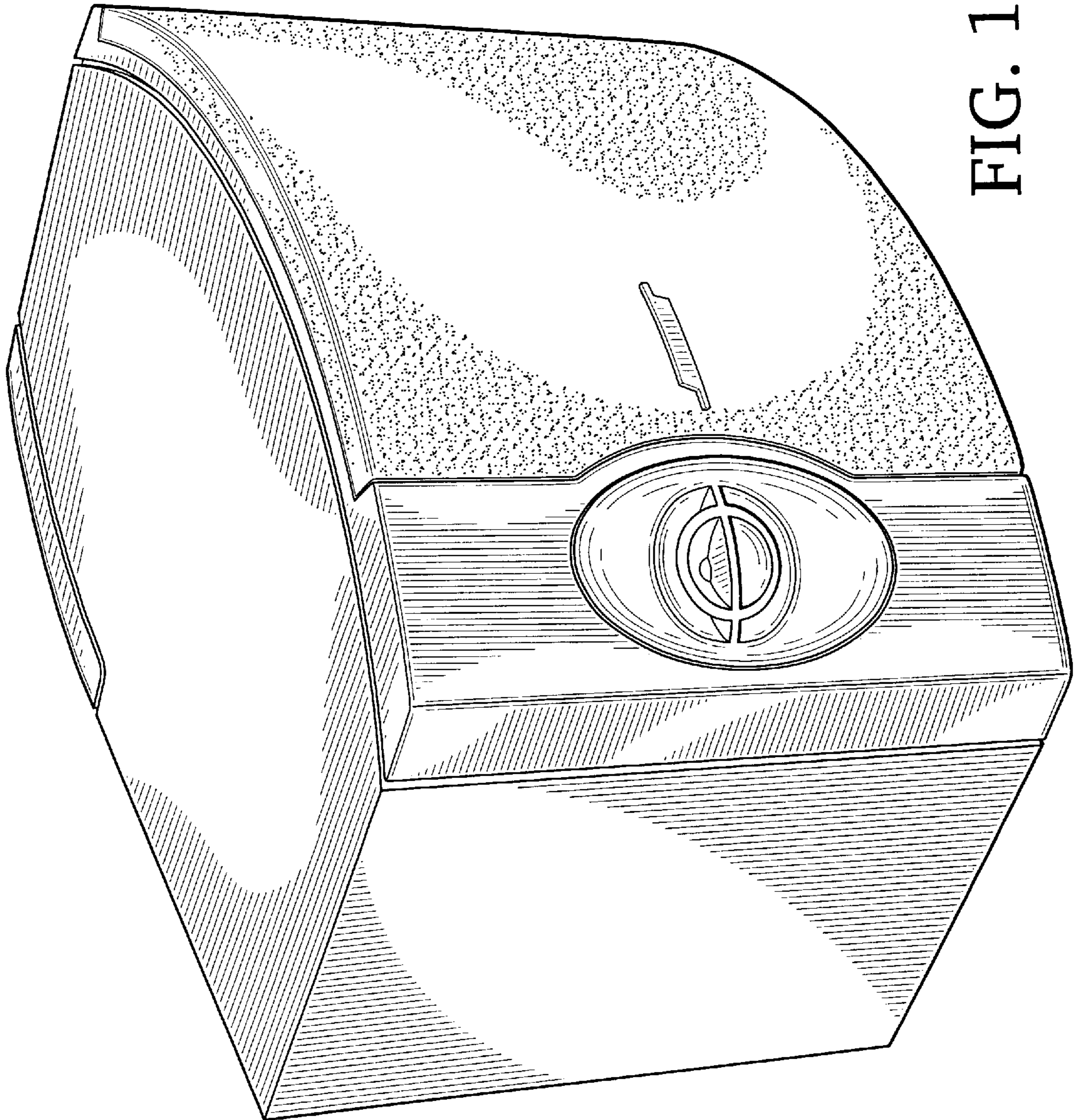


FIG. 1

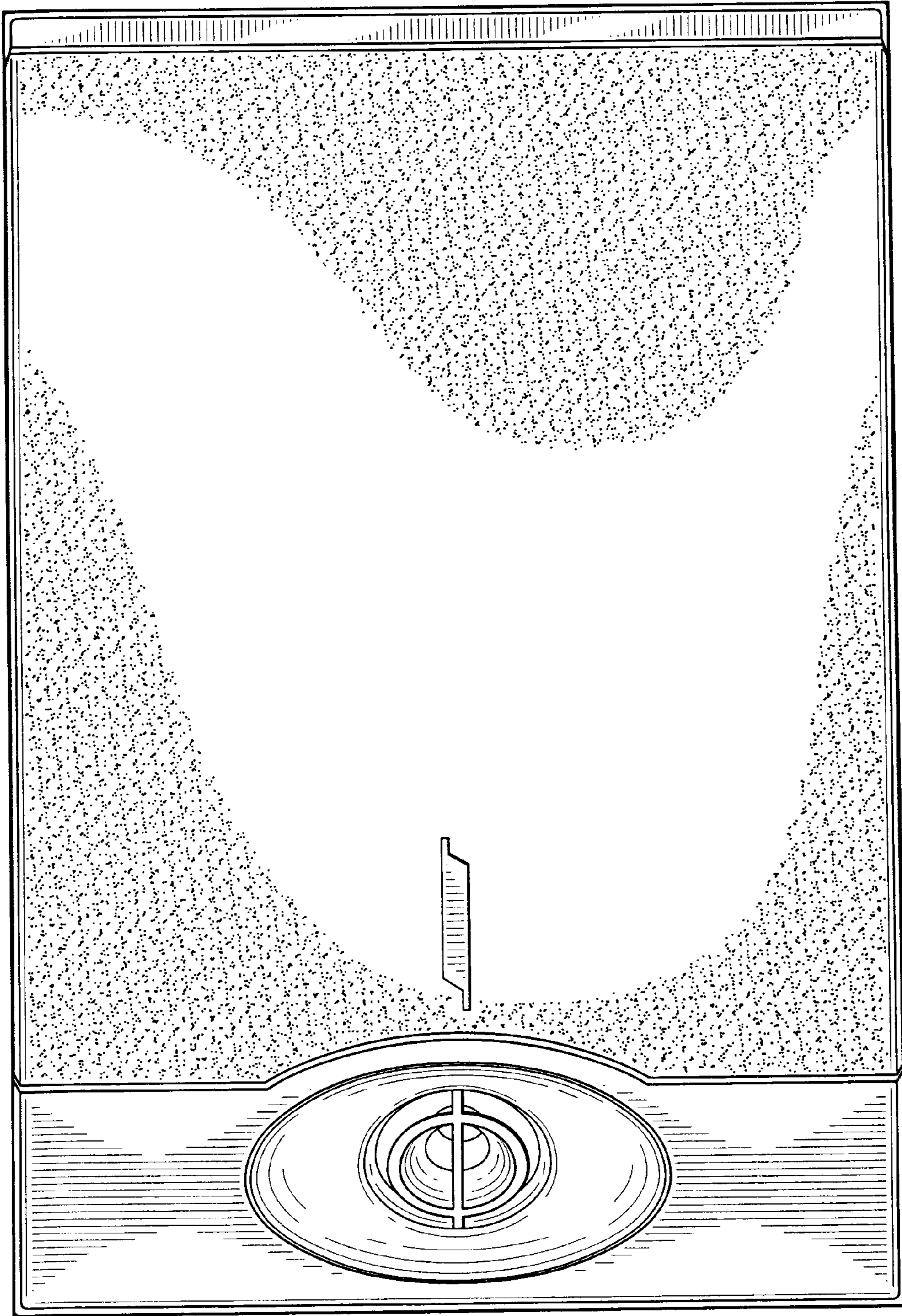


FIG. 2

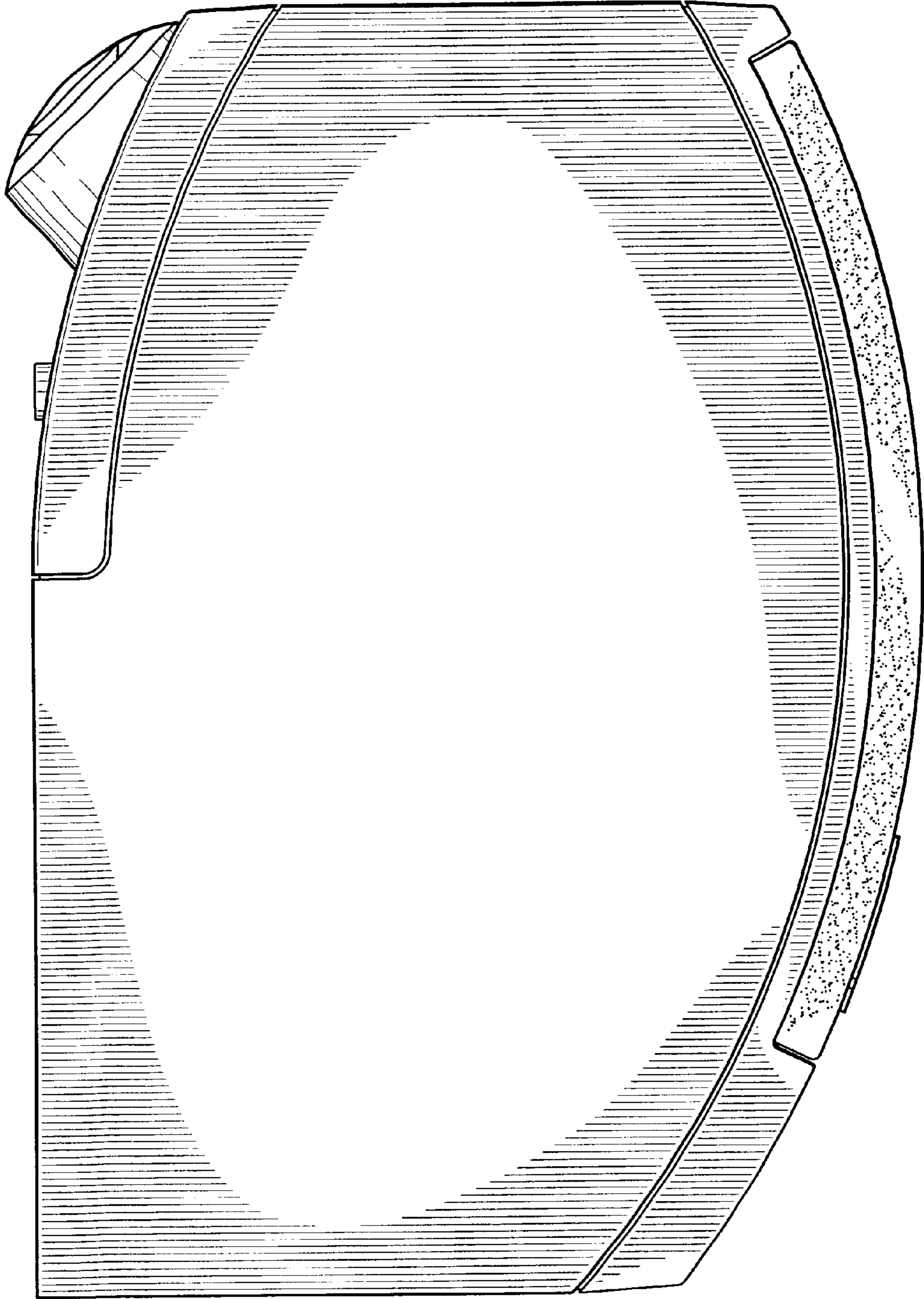


FIG. 3

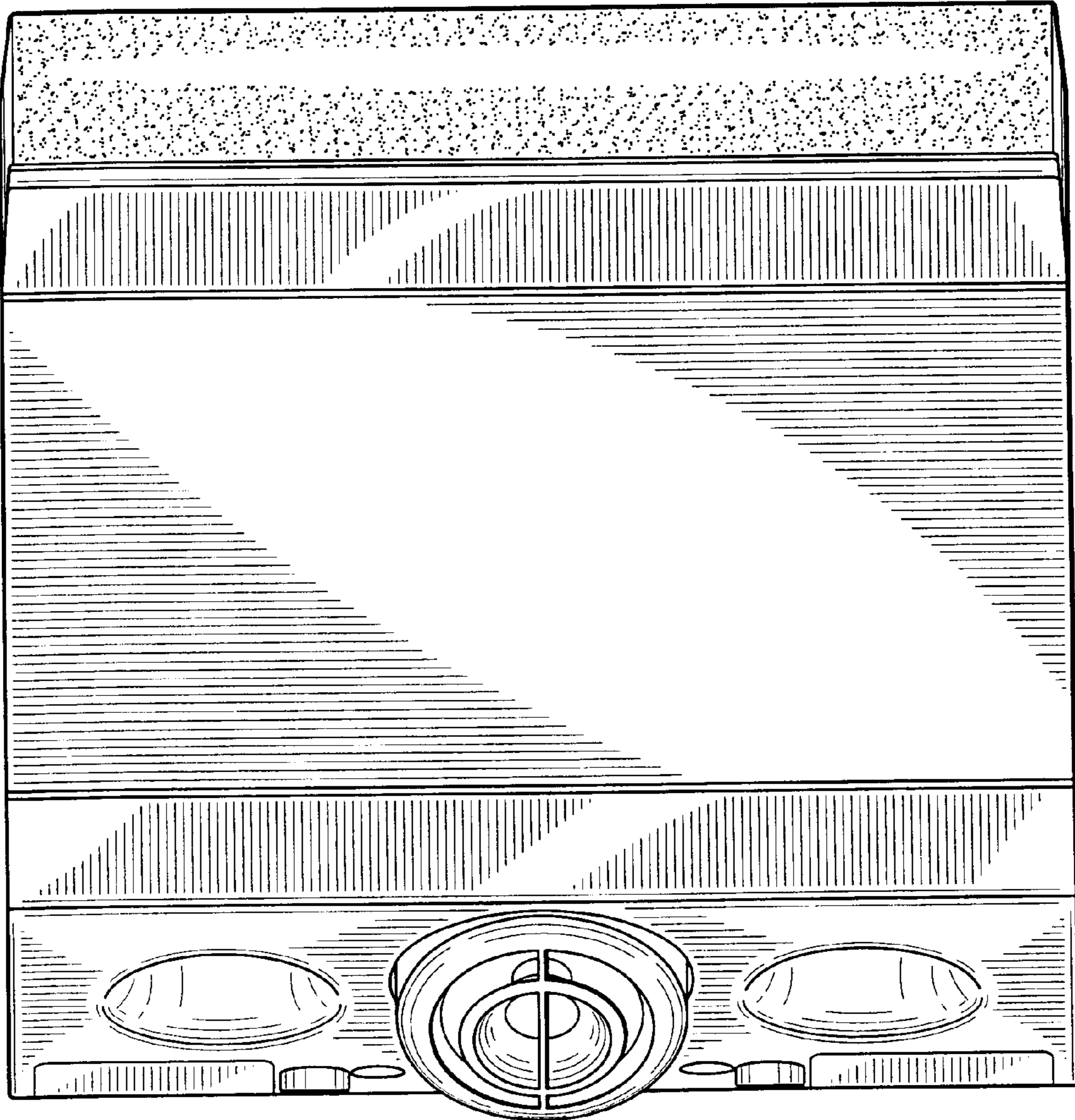


FIG. 4

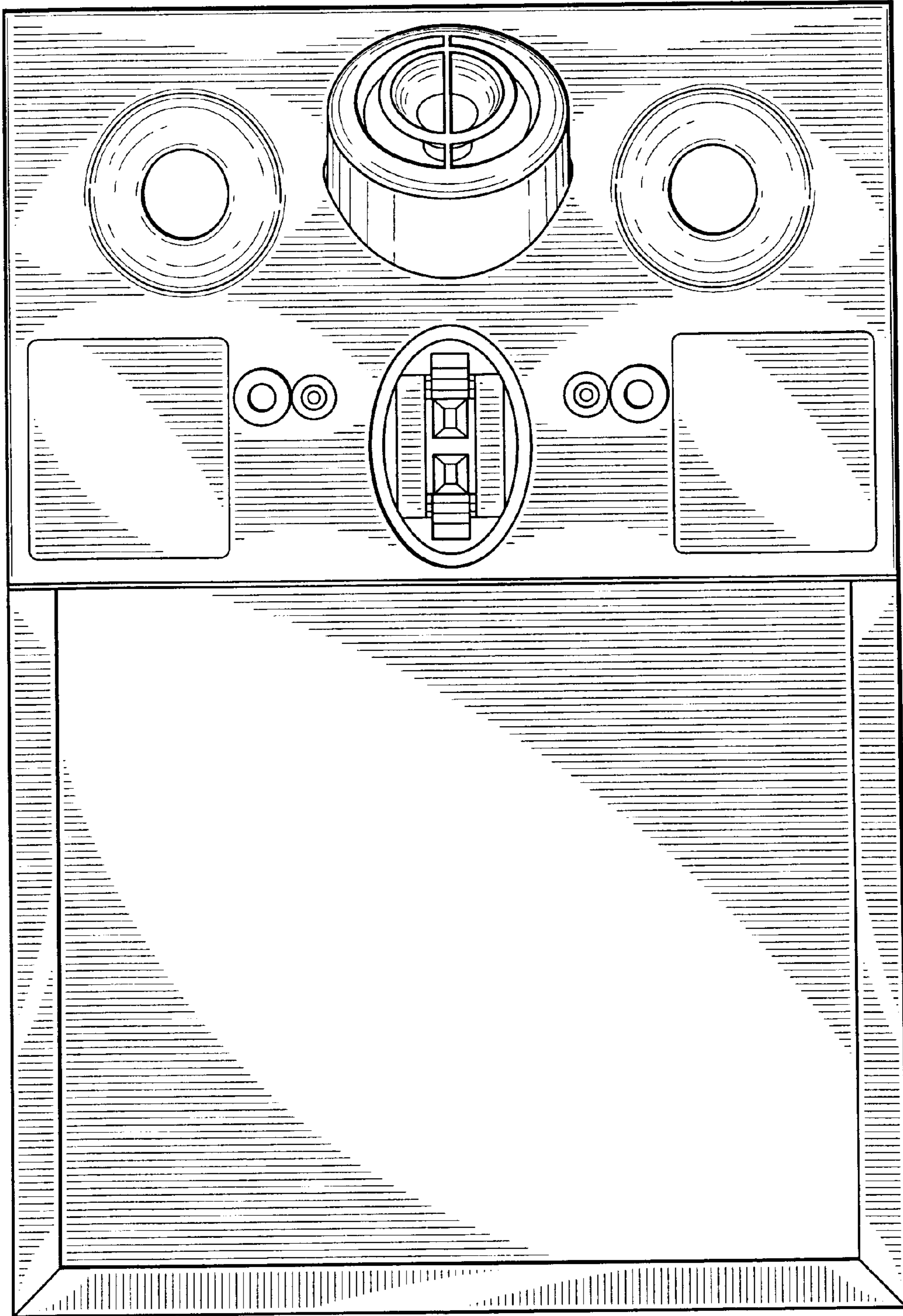


FIG. 5