



US00D482343S

(12) **United States Design Patent**
Lee

(10) **Patent No.:** **US D482,343 S**

(45) **Date of Patent:** **** Nov. 18, 2003**

(54) **COMPACT DISC PLAYER**

(75) Inventor: **Johan Lee**, Sunnyside, NY (US)

(73) Assignee: **Coby Electronics Corporation**,
Maspeth, NY (US)

(**) Term: **14 Years**

(21) Appl. No.: **29/165,842**

(22) Filed: **Aug. 15, 2002**

(51) **LOC (7) Cl.** **14-01**

(52) **U.S. Cl.** **D14/156**

(58) **Field of Search** D14/135-136,
D14/156-157, 160-165, 167-168, 188,
193-198, 217; 369/75.1, 75.2, 77.1, 77.2;
455/344, 347-351

(56) **References Cited**

U.S. PATENT DOCUMENTS

D427,988 S	*	7/2000	Haney	D14/156
D431,544 S	*	10/2000	Kobayashi	D14/156
D449,292 S	*	10/2001	Miyazaki	D14/217
D457,871 S	*	5/2002	Kobayashi	D14/156
D462,942 S	*	9/2002	Murakami	D14/156

* cited by examiner

Primary Examiner—Nanda Bondade

(74) *Attorney, Agent, or Firm*—Brown, Raysman,
Millstein, Felder & Steiner LLP

(57) **CLAIM**

The ornamental design for a compact disc player, as shown and described.

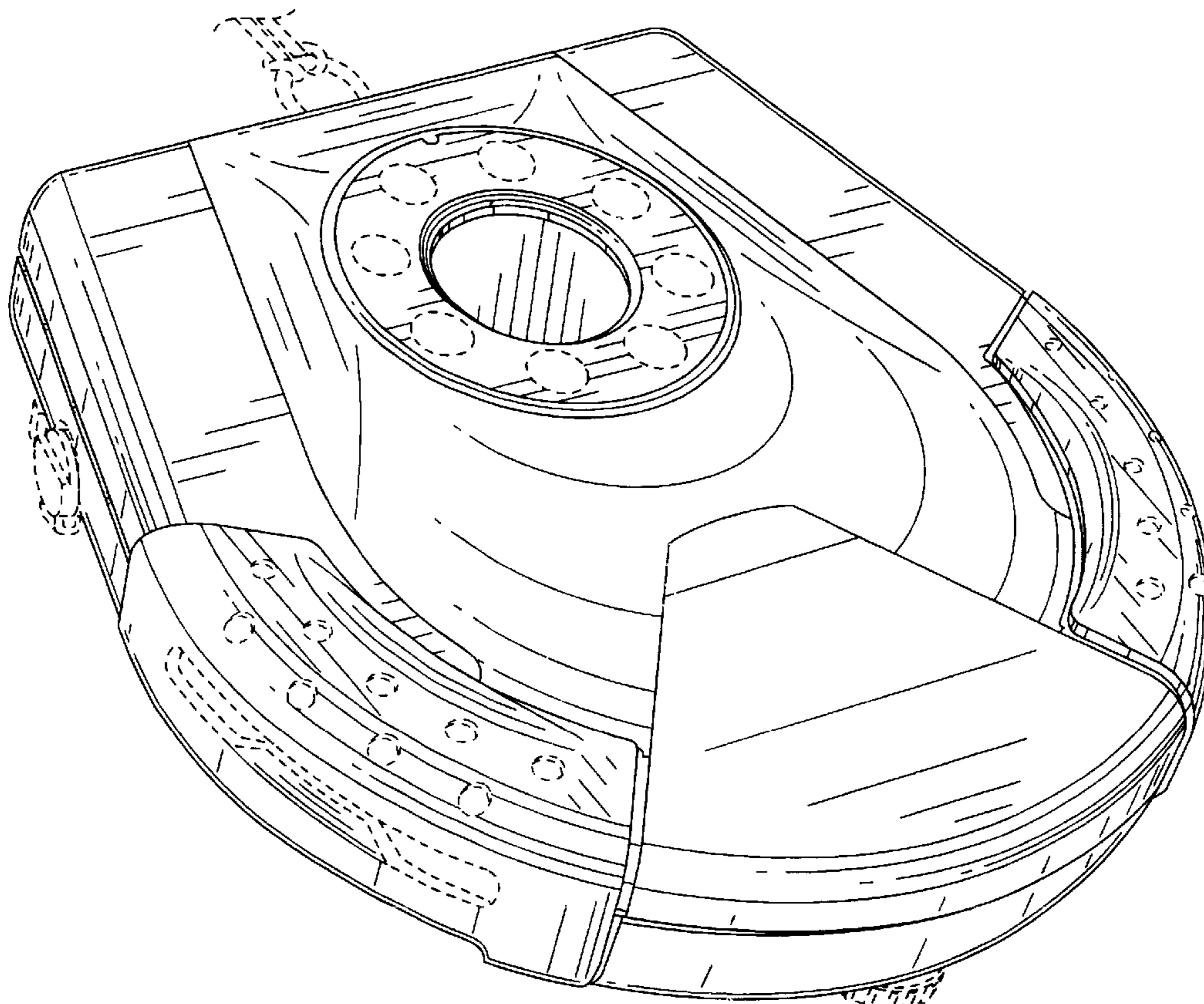
DESCRIPTION

A portion of the disclosure of this patent document contains material which is subjected to copyright protection. The copyright owner has no objection to the facsimile reproduction by anyone of the patent document or the patent disclosure, as it appears in the Patent and Trademark Office patent file or records, but reserves all other copyright rights whatsoever.

FIG. 1 is a perspective view of the compact disc player showing my new design;
FIG. 2 is a front view thereof;
FIG. 3 is a rear view thereof;
FIG. 4 is a left side view thereof;
FIG. 5 is a right side view thereof;
FIG. 6 is a top view thereof; and,
FIG. 7 is a bottom view thereof.

The broken line showing on FIGS. 1-7 is for illustrative purposes only and forms no part of the claimed design.

1 Claim, 5 Drawing Sheets



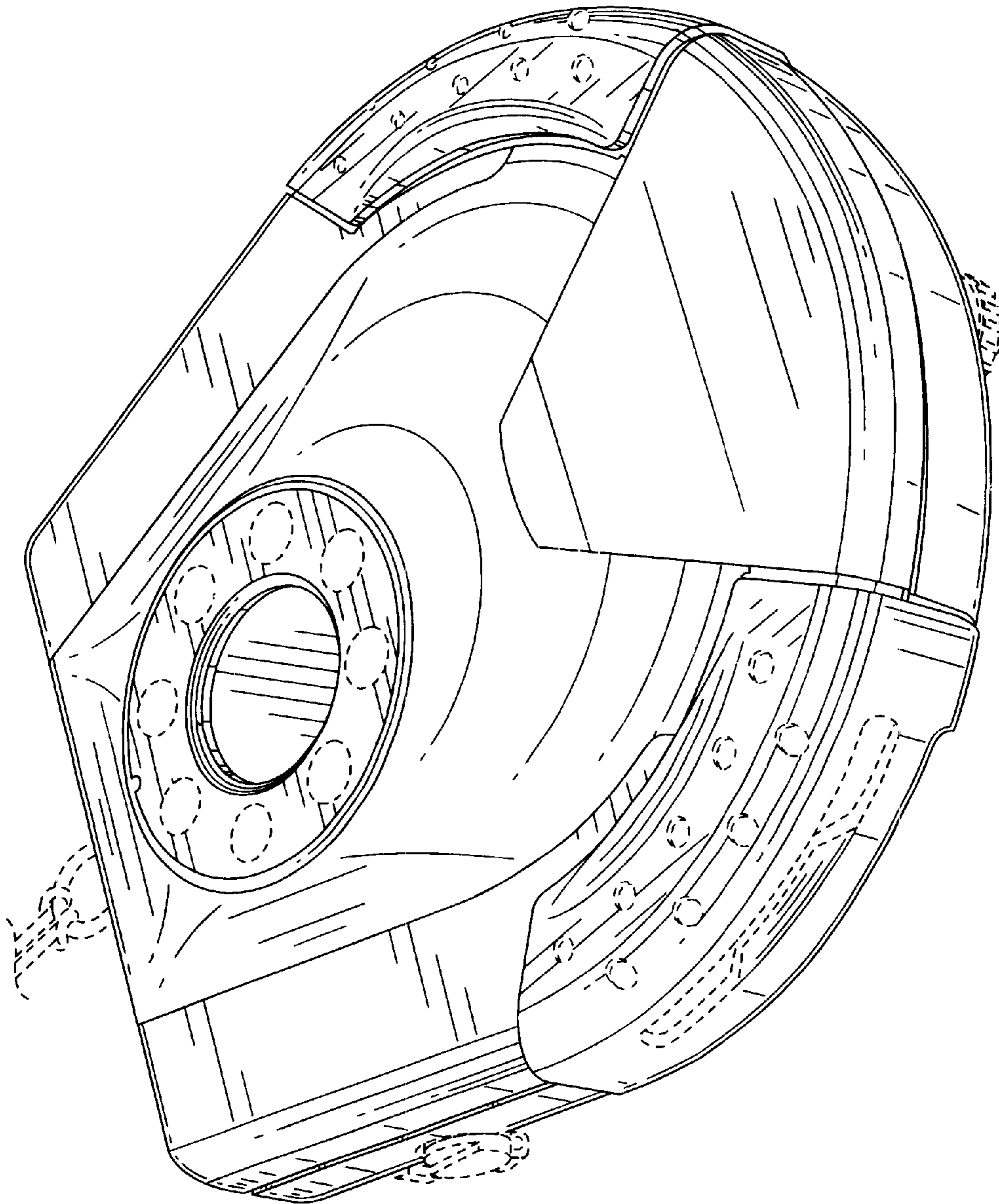


FIG. 1

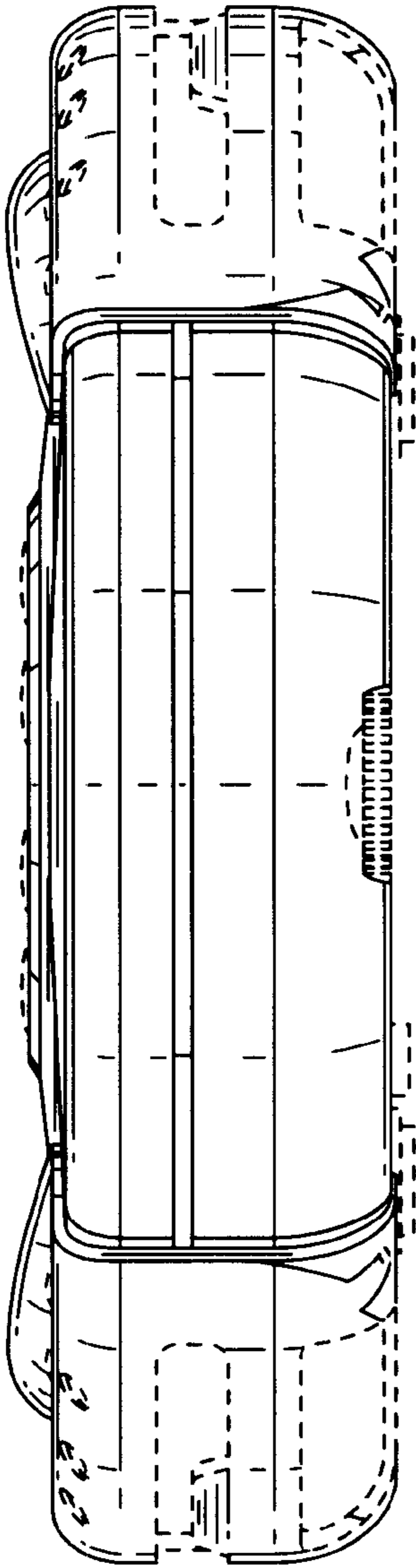


FIG. 2

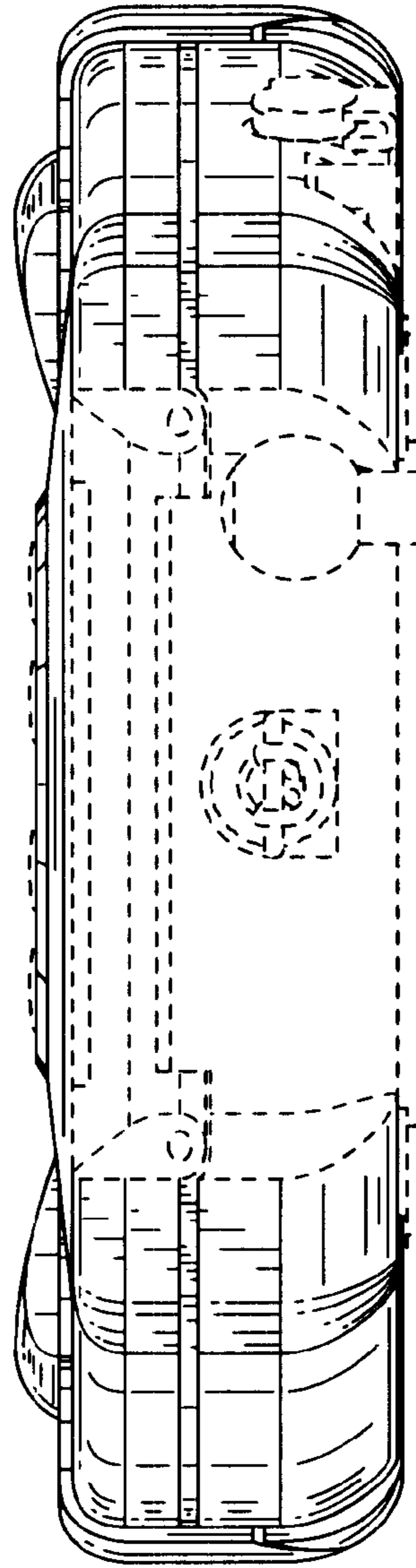


FIG. 3

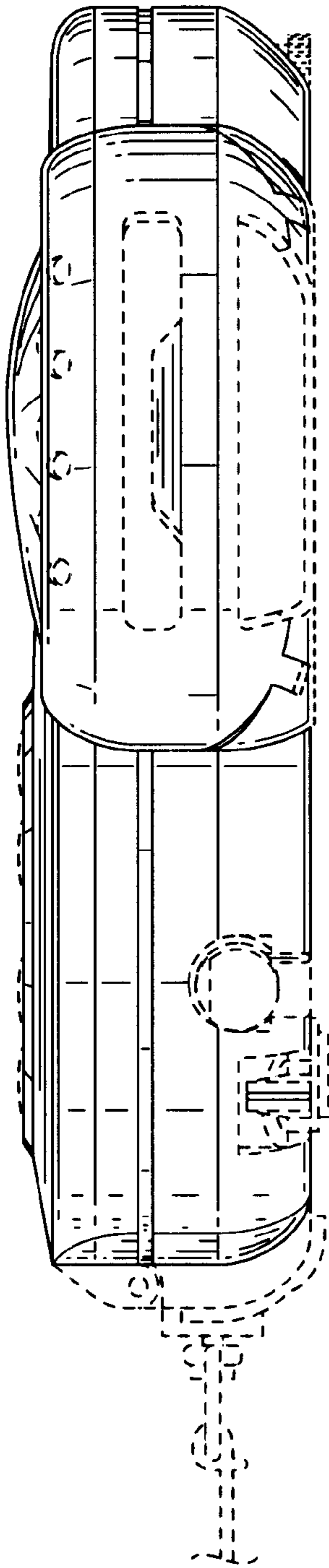


FIG. 4

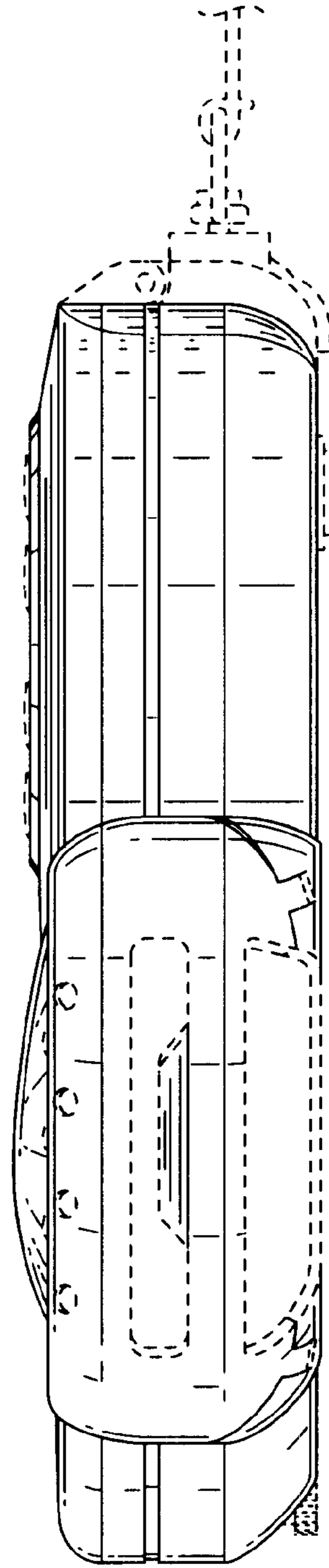


FIG. 5

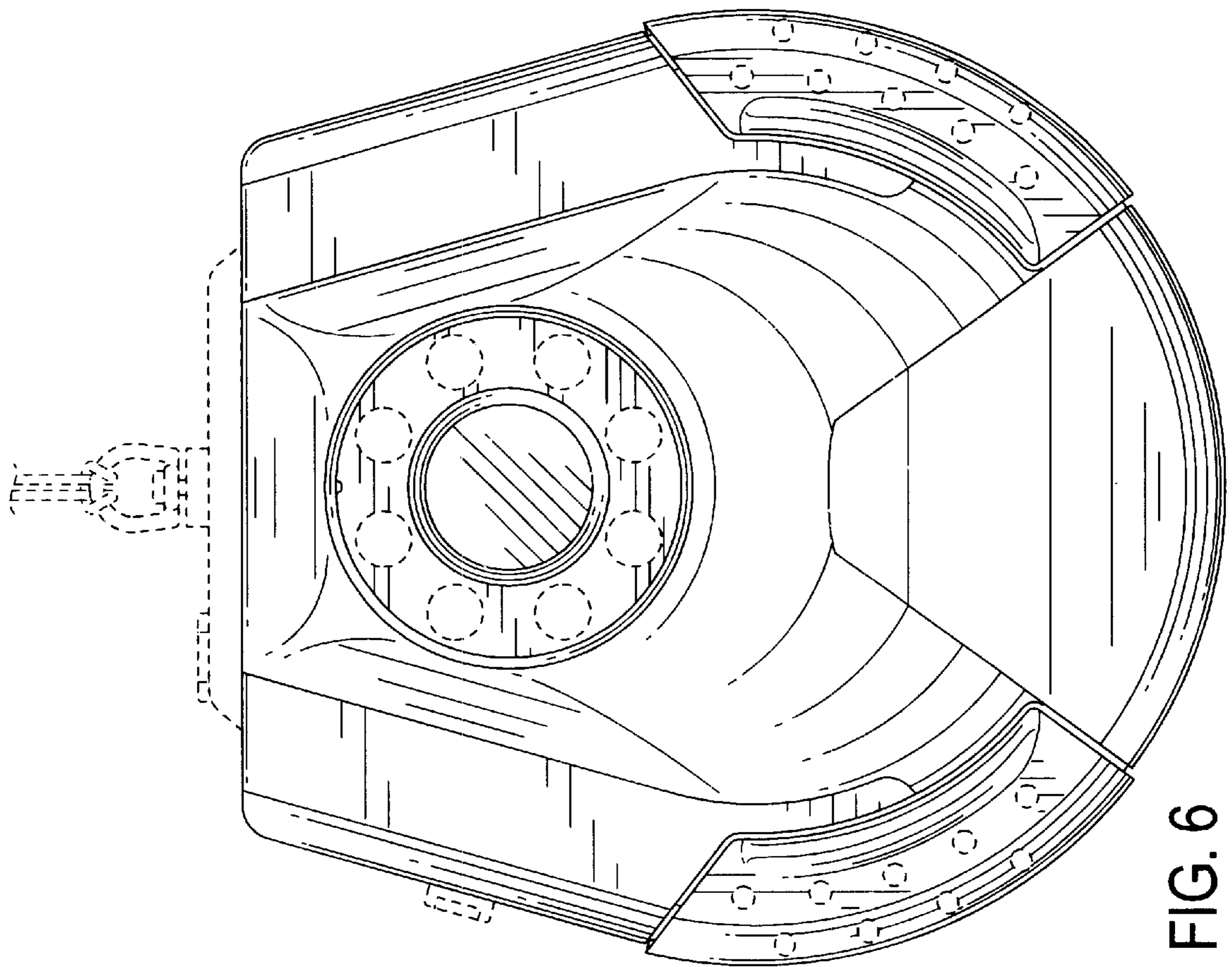


FIG. 6

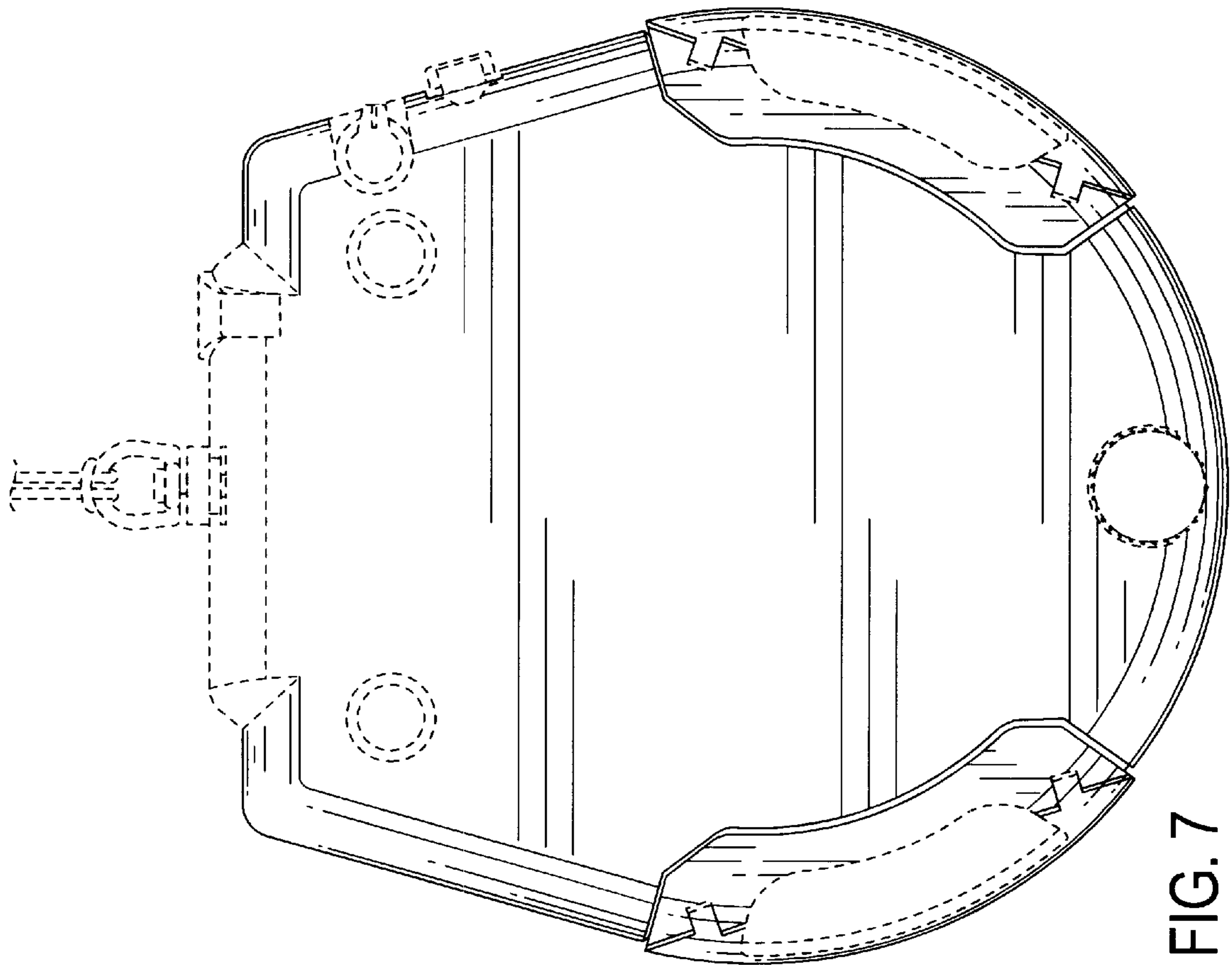


FIG. 7