



US00D482340S

(12) **United States Design Patent**
Cianfanelli

(10) **Patent No.:** **US D482,340 S**

(45) **Date of Patent:** **** Nov. 18, 2003**

(54) **COMMUNICATION DEVICE**

(75) **Inventor:** **Marco Cianfanelli, Piandisco (IT)**

(73) **Assignee:** **Swatch AG (Swatch SA) (Swatch Ltd.), Bienne (CH)**

(**) **Term:** **14 Years**

(21) **Appl. No.:** **29/163,665**

(22) **Filed:** **Jul. 10, 2002**

(30) **Foreign Application Priority Data**

Feb. 1, 2002 (WO) DM/058 797

(51) **LOC (7) Cl.** **14-03**

(52) **U.S. Cl.** **D14/144; D10/31; D10/32; D14/138**

(58) **Field of Search** D14/137, 138, D14/218, 147-148, 247-248, 144, 142, 191, 341-347, 205, 206, 223; 379/433.01-433.13, 419, 434, 428.01-428.04, 420.01-420.04, 440; 455/550.1-90.3; D21/517; D10/30-32, 37-39; 368/10, 13

(56) **References Cited**

U.S. PATENT DOCUMENTS

1,245,801	A	*	11/1917	Rosenthal	224/169
D239,324	S	*	3/1976	Vong	D14/189
D246,104	S	*	10/1977	Vong	D14/192
D287,341	S	*	12/1986	Grimes	D10/30
5,008,864	A	*	4/1991	Yoshitake	368/10
5,054,051	A	*	10/1991	Hoff	455/556.1
D323,996	S	*	2/1992	Nakazawa	D10/39
D325,352	S	*	4/1992	Bulgari	D10/39
5,134,724	A	*	7/1992	Gehring et al.	455/274
D339,749	S	*	9/1993	Ishizaka	D10/38
D360,369	S	*	7/1995	Wong et al.	D10/38
D376,544	S	*	12/1996	Egbert	D10/31
D397,619	S	*	9/1998	Lee	D10/30

D398,540	S	*	9/1998	Lee	D10/30
D402,210	S	*	12/1998	Sang	D10/30
D406,073	S	*	2/1999	Clemons	D10/104
D407,654	S	*	4/1999	Rayon	D10/31
D409,924	S	*	5/1999	Kennedy	D10/30
D426,776	S	*	6/2000	Krauss et al.	D10/30
D427,079	S	*	6/2000	Houlihan	D10/30
D432,025	S	*	10/2000	Mc Linden et al.	D10/30
6,192,253	B1	*	2/2001	Charlier et al.	455/575.7
D443,832	S	*	6/2001	Streltsov	D10/30
D448,310	S	*	9/2001	Streltsov	D10/30
6,285,289	B1	*	9/2001	Thornblad	340/628
6,292,573	B1	*	9/2001	Zurek et al.	381/386
D451,819	S	*	12/2001	Streltsov	D10/30
D454,078	S	*	3/2002	Koo	D10/32
D455,661	S	*	4/2002	Nussbaum	D10/32
D456,791	S	*	5/2002	Forakis et al.	D14/138
D457,440	S	*	5/2002	Streltsov	D10/30
6,430,110	B2	*	8/2002	Baroche	368/13
6,535,461	B1	*	3/2003	Karhu	368/10
D472,820	S	*	4/2003	Ditullo et al.	D10/30

* cited by examiner

Primary Examiner—Jeffrey Asch

(74) *Attorney, Agent, or Firm*—Donald J. Ranft; Collen IP

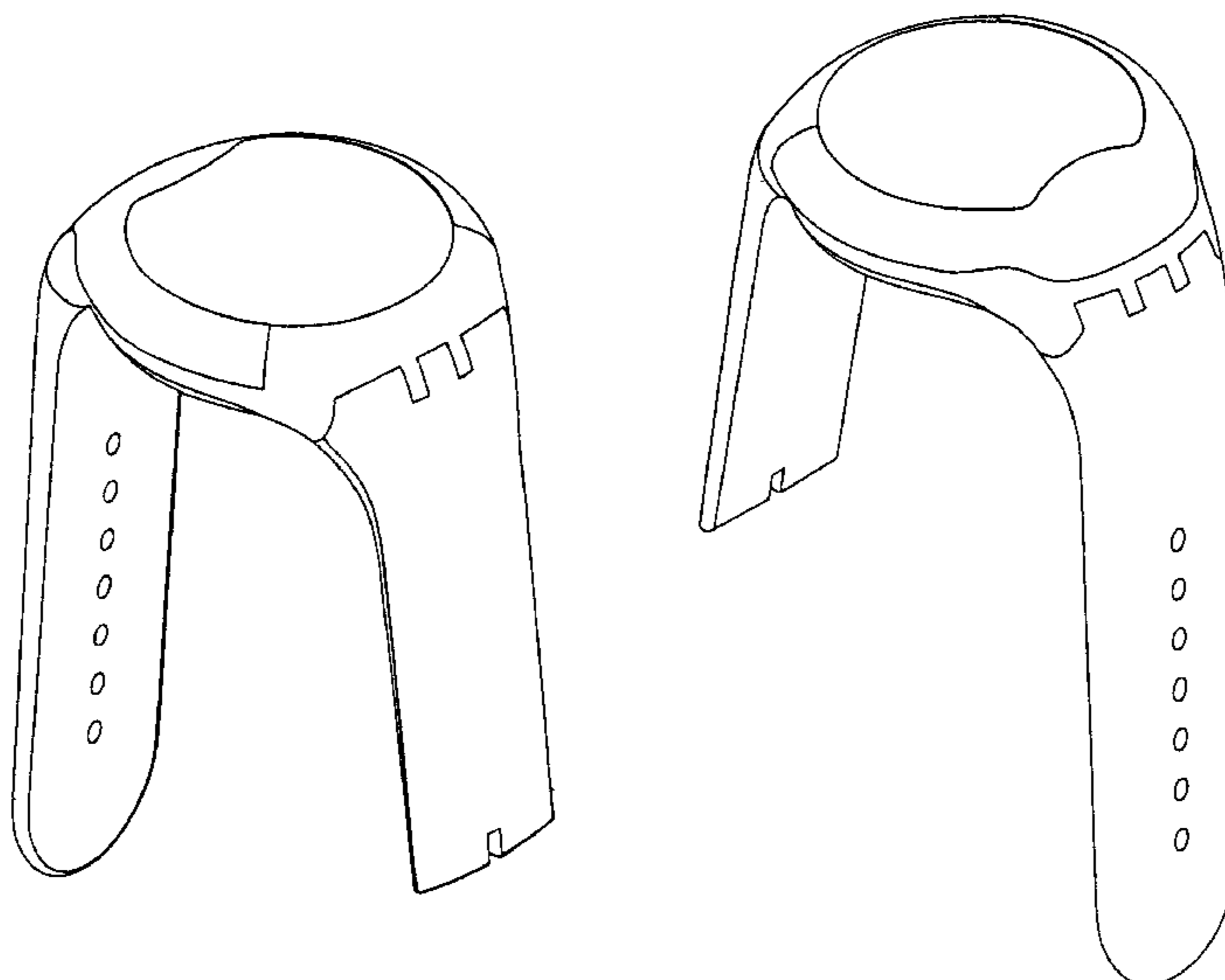
(57) **CLAIM**

The ornamental design for a communication device, as shown and described.

DESCRIPTION

FIG. 1 is a front view of my new and ornamental design for a communication device;
FIG. 2 is a back view thereof;
FIG. 3 is a top view;
FIG. 4 is a bottom view;
FIG. 5 is a right side view;
FIG. 6 is a top perspective view thereof; and,
FIG. 7 is a bottom perspective view thereof.

1 Claim, 7 Drawing Sheets



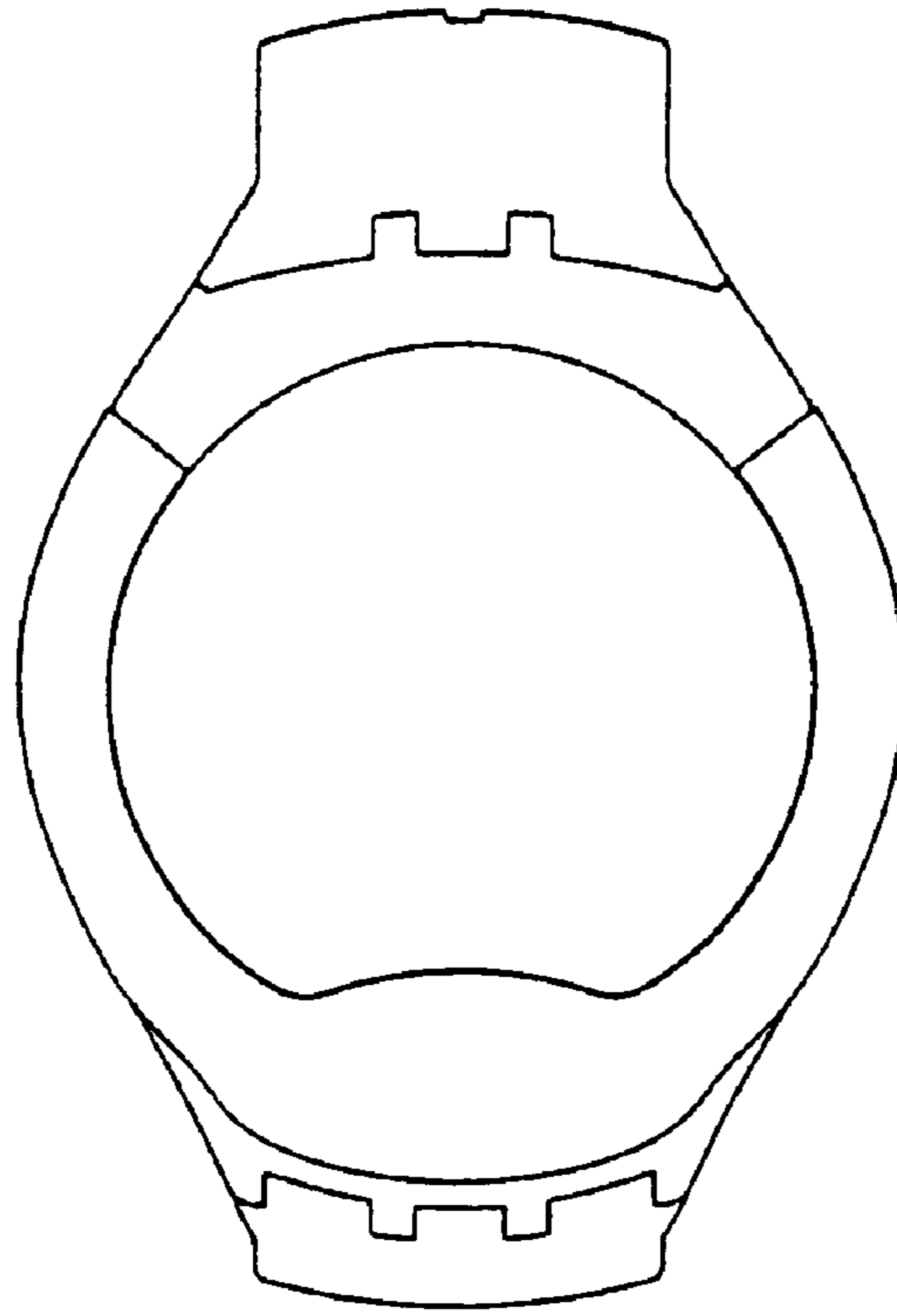


Figure 1

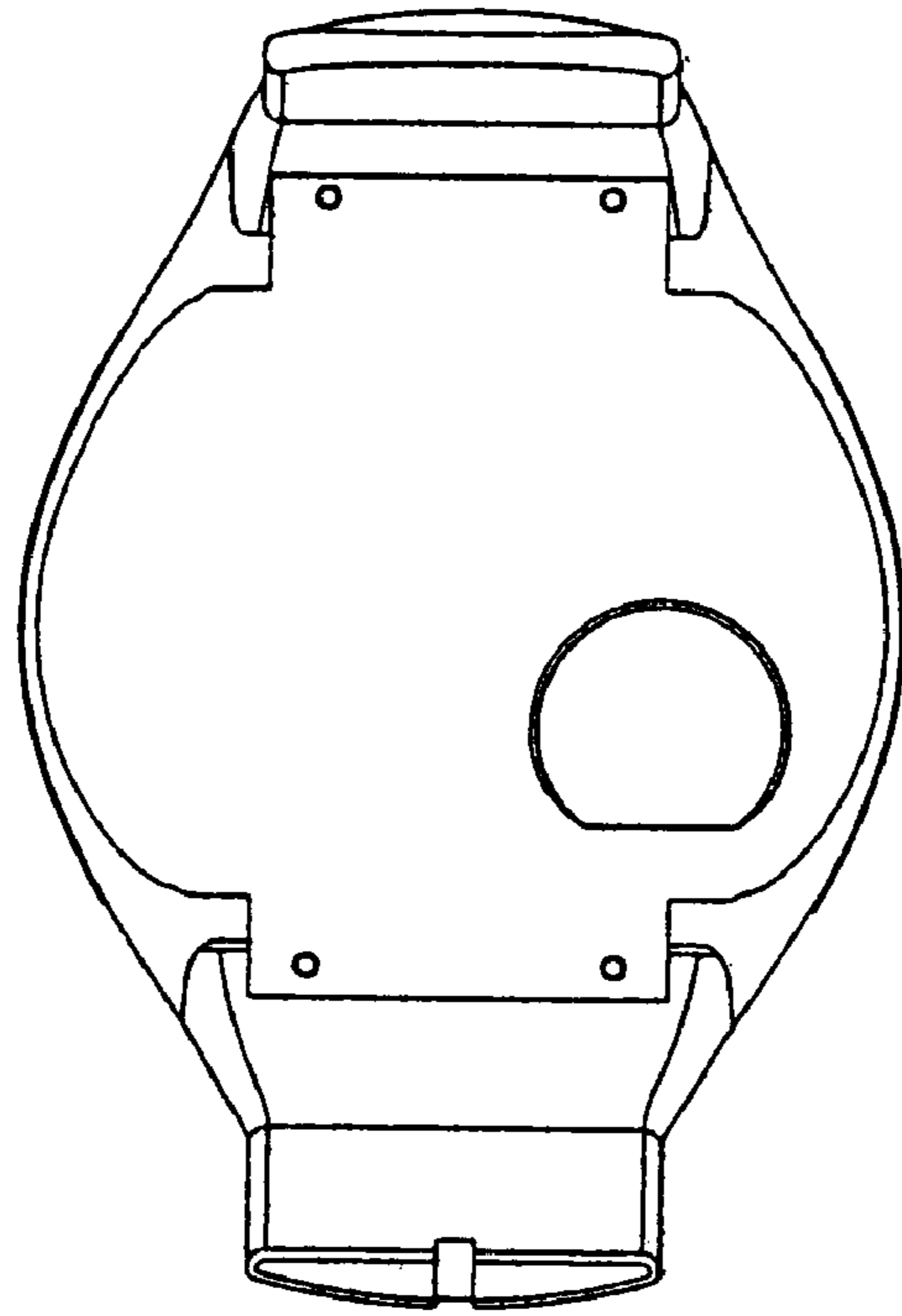


Figure 2

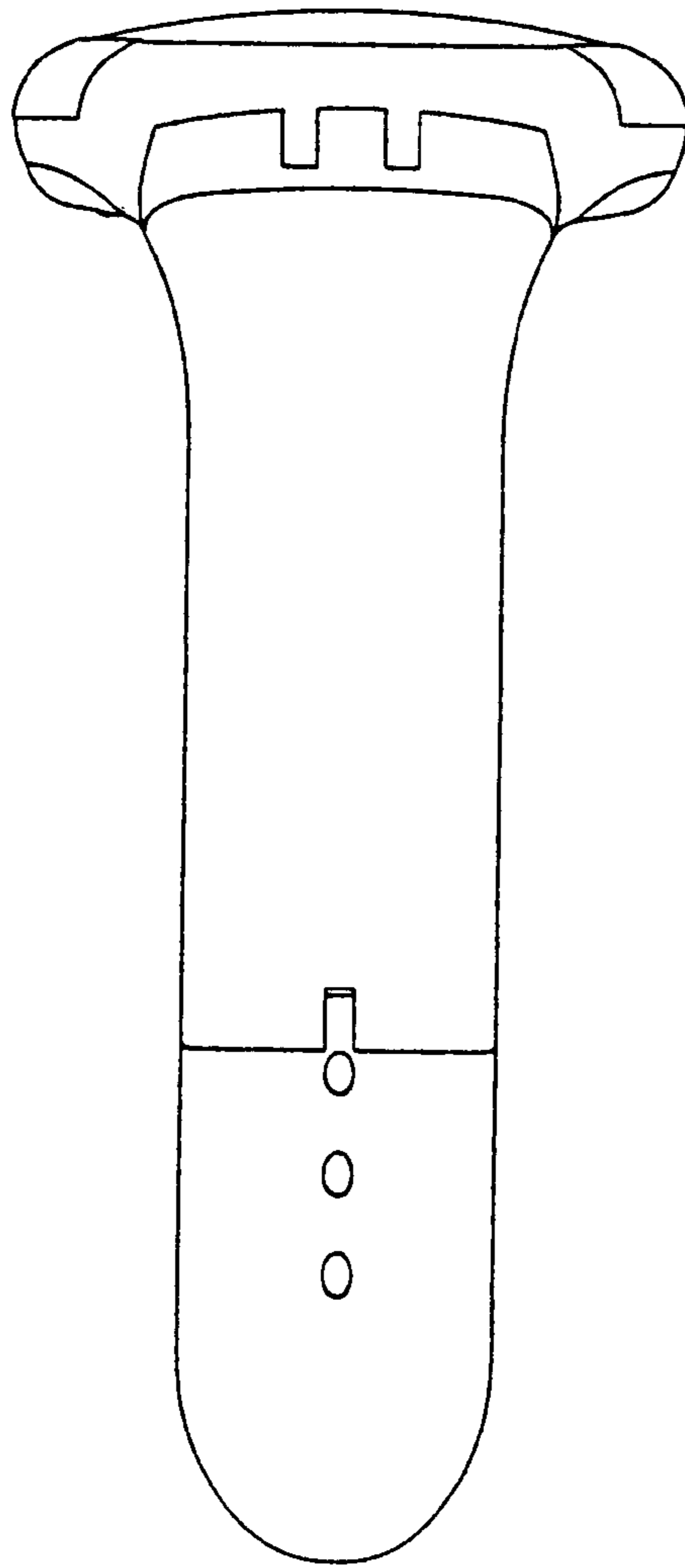


Figure 3

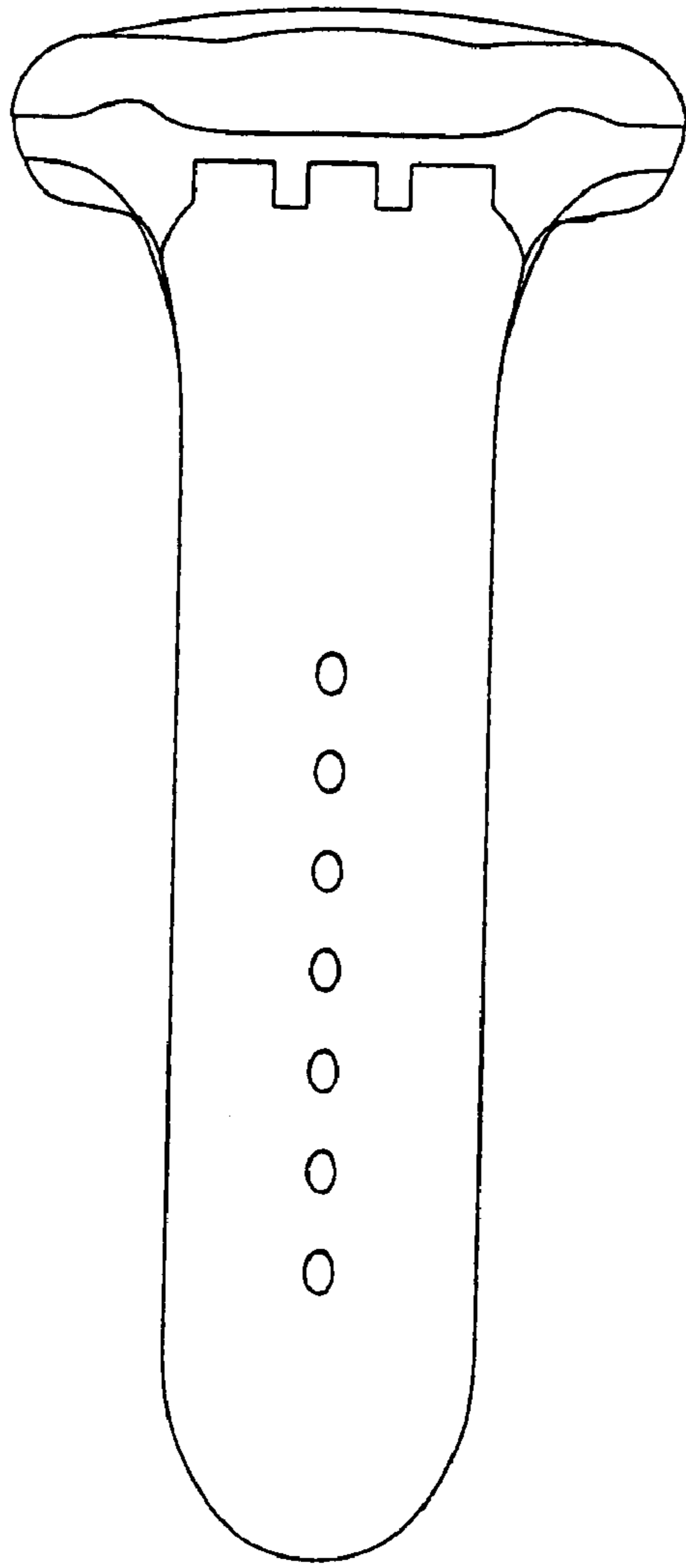


Figure 4

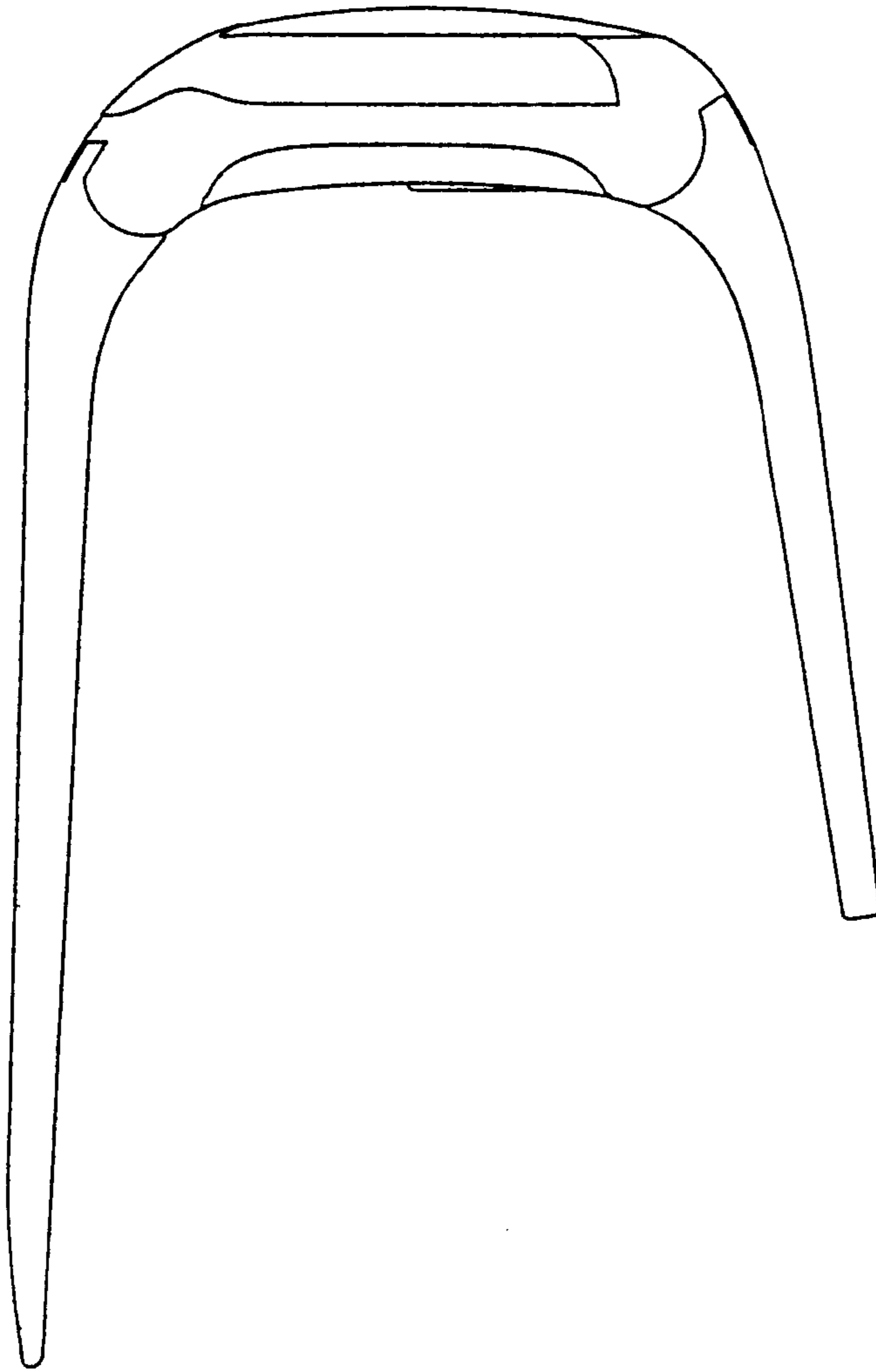


Figure 5

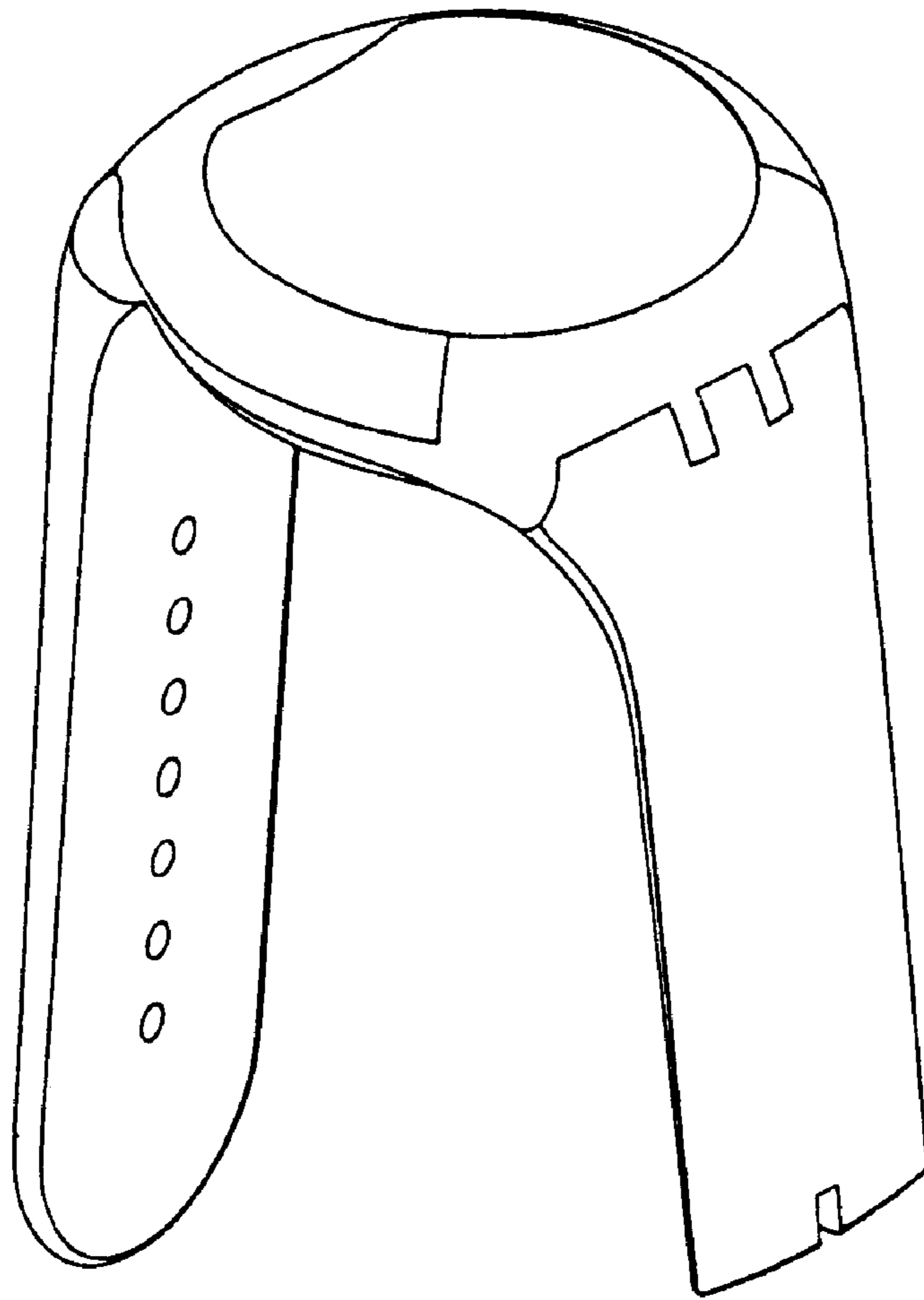


Figure 6

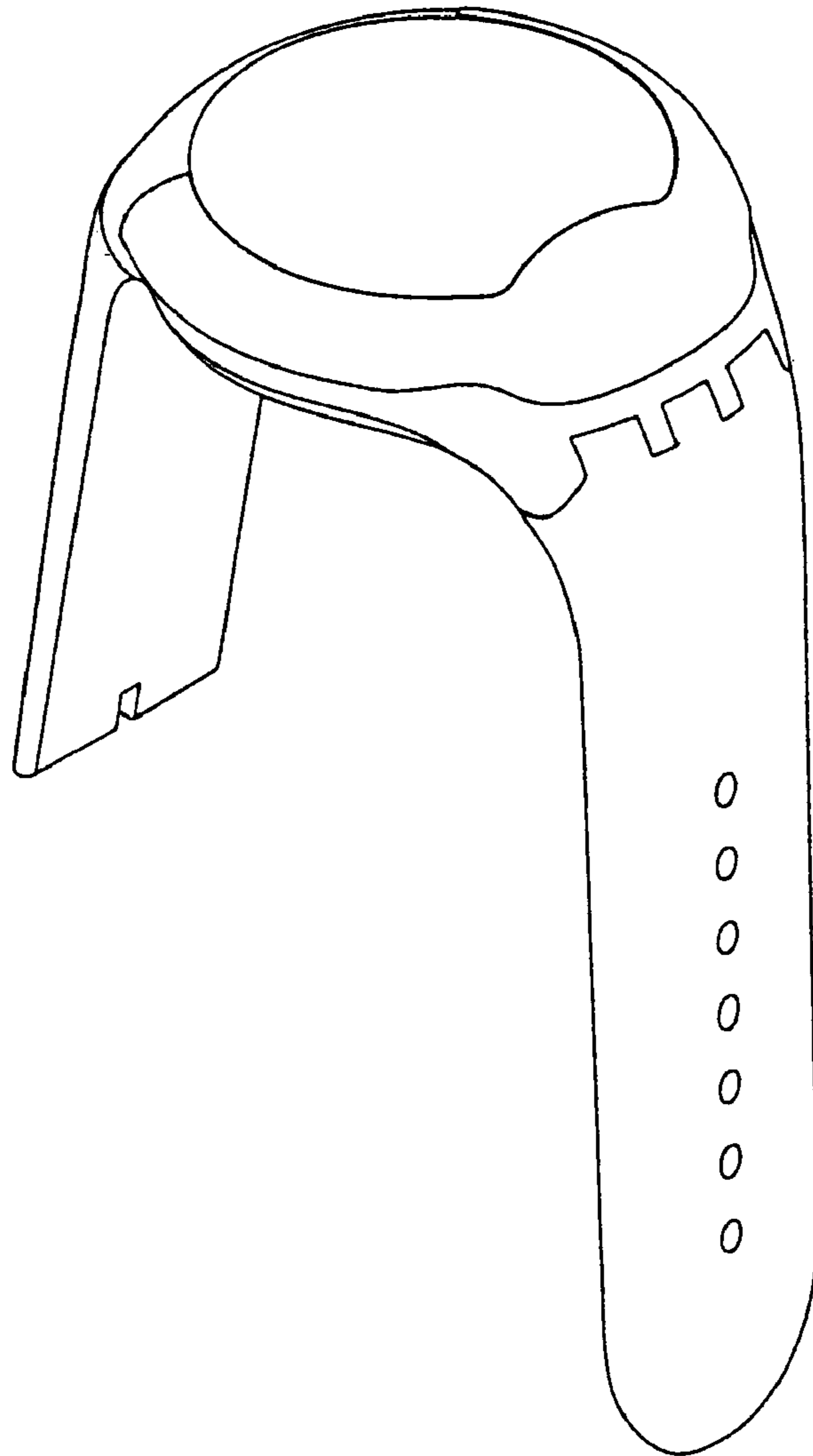


Figure 7